

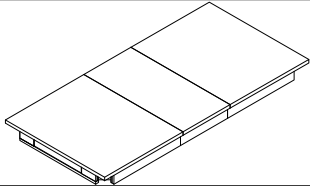

ASSEMBLY INSTRUCTIONS

MODEL#: 1284-500 HARTFORD LEG DINING TABLE WITH DRAWERS (V#12600BHTW1)

**NOTE: KEEP THIS DOCUMENT FOR REFERENCE IN CASE PARTS ARE NEEDED
DO NOT TIGHTEN SCREWS UNTIL COMPLETELY ASSEMBLED!!**

Care Instructions:

Please wipe clean using a non-abrasive mild soap and warm water.

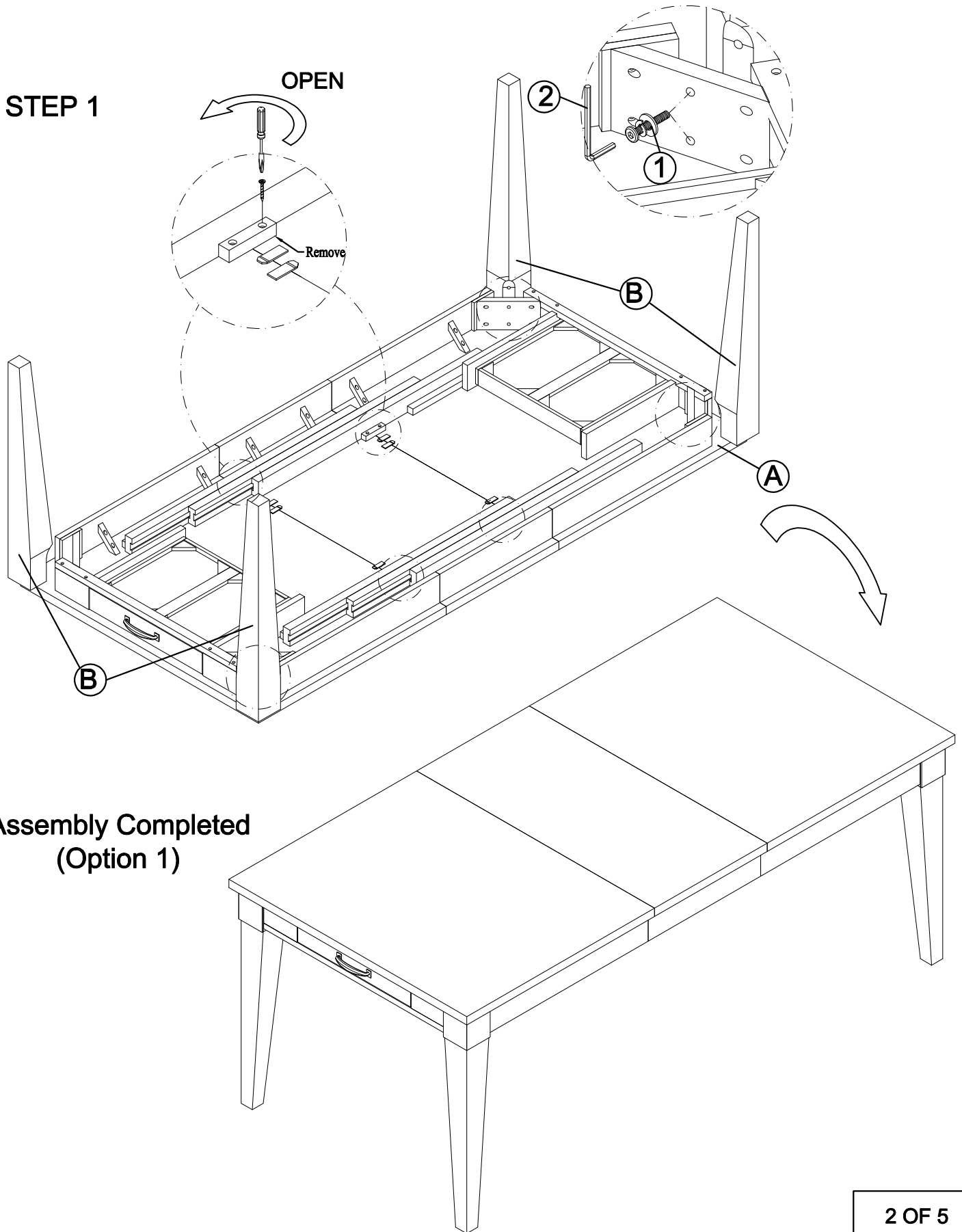
NO	PARTS LIST		Q'TY
A		TABLE TOP	1 PC
B		LEG	4 PCS

NO	HARDWARE LIST			Q'TY
1		Bolt	Ø5/16"x2-3/8"	8 PCS
		Lock Washer	Ø5/16"	8 PCS
		Flat Washer	Ø5/16"x19Dx1.5mm	8 PCS
2		Allen Wrench	3"x4mm	1 PC

ASSEMBLY INSTRUCTIONS

MODEL#: 1284-500 HARTFORD LEG DINING TABLE WITH DRAWERS (V#12600BHTW1)

**NOTE: KEEP THIS DOCUMENT FOR REFERENCE IN CASE PARTS ARE NEEDED
DO NOT TIGHTEN SCREWS UNTIL COMPLETELY ASSEMBLED!!**

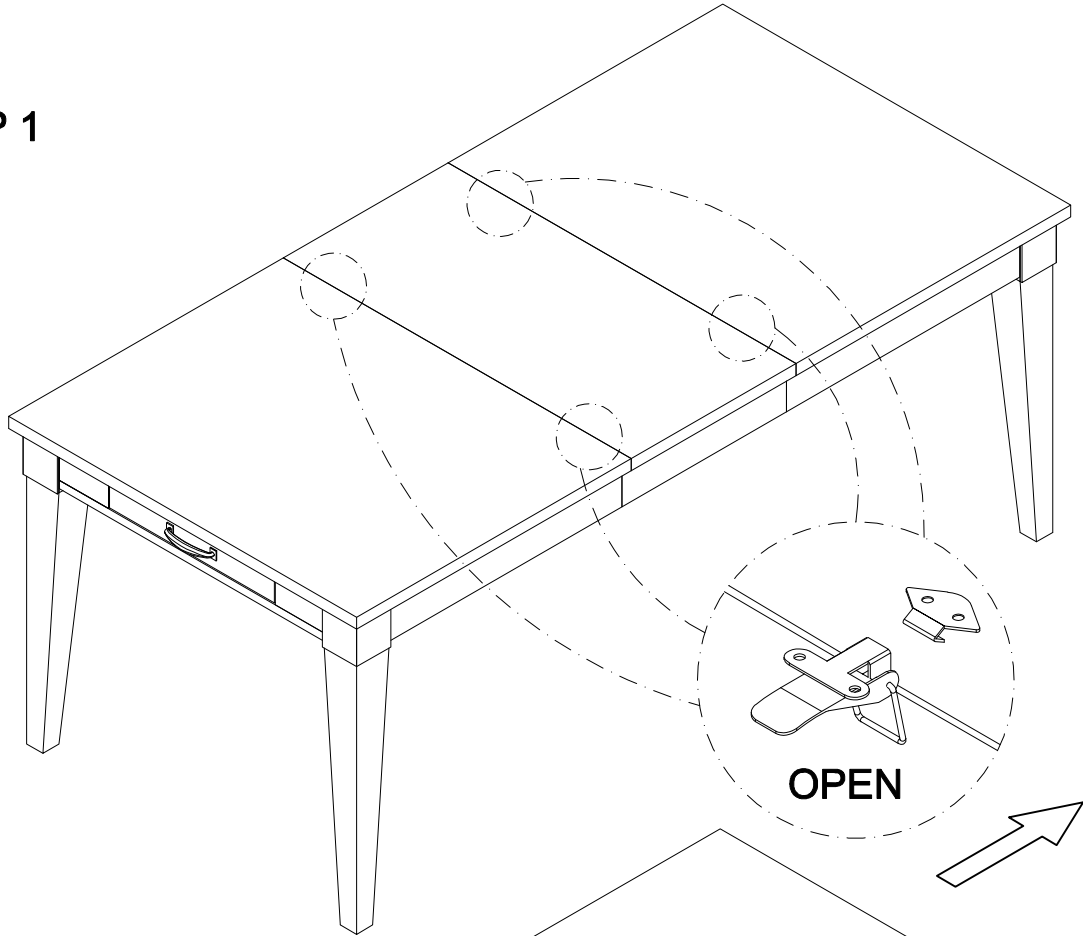


ASSEMBLY INSTRUCTIONS

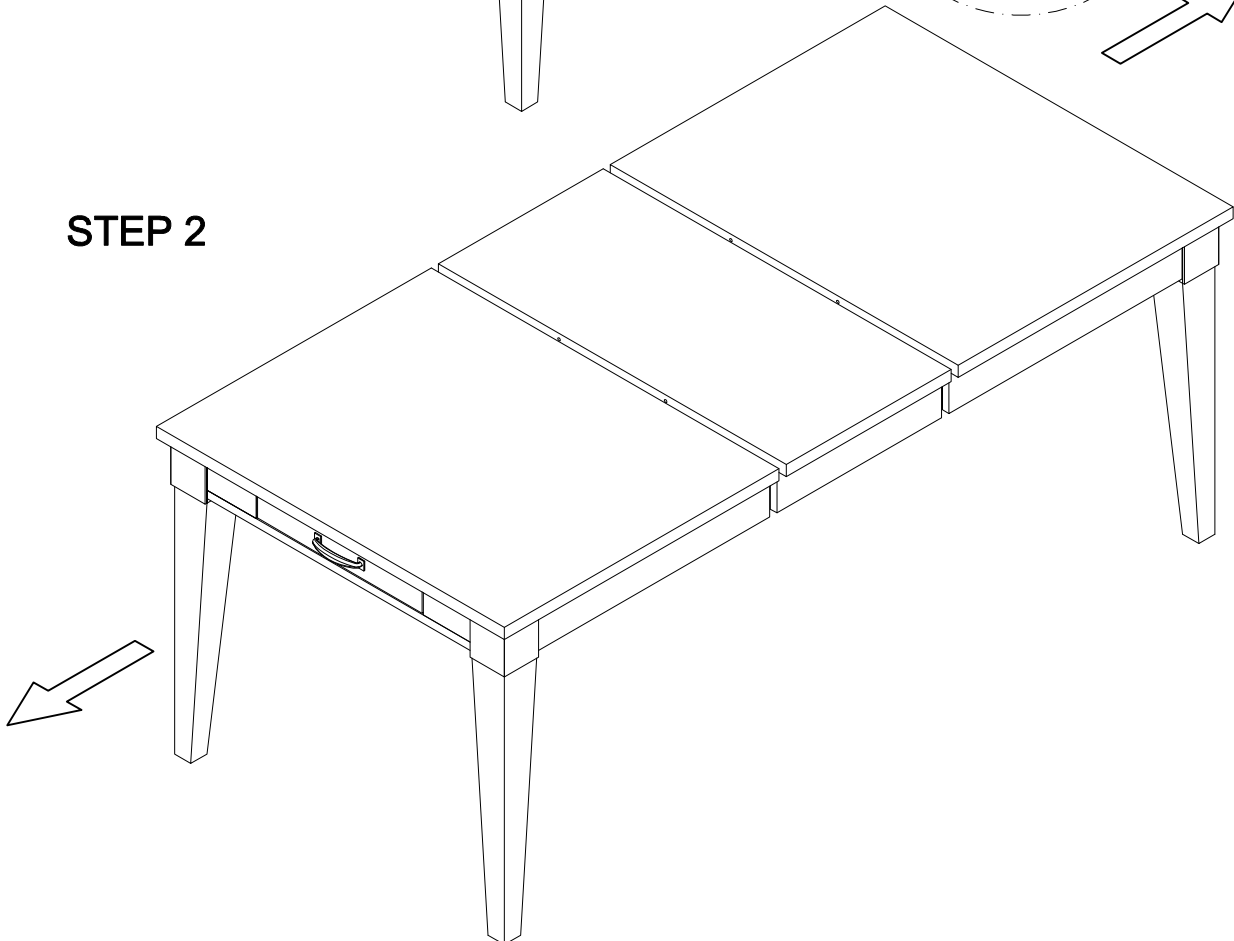
MODEL#: 1284-500 HARTFORD LEG DINING TABLE WITH DRAWERS (V#12600BHTW1)

**NOTE: KEEP THIS DOCUMENT FOR REFERENCE IN CASE PARTS ARE NEEDED
DO NOT TIGHTEN SCREWS UNTIL COMPLETELY ASSEMBLED!!**

STEP 1



STEP 2

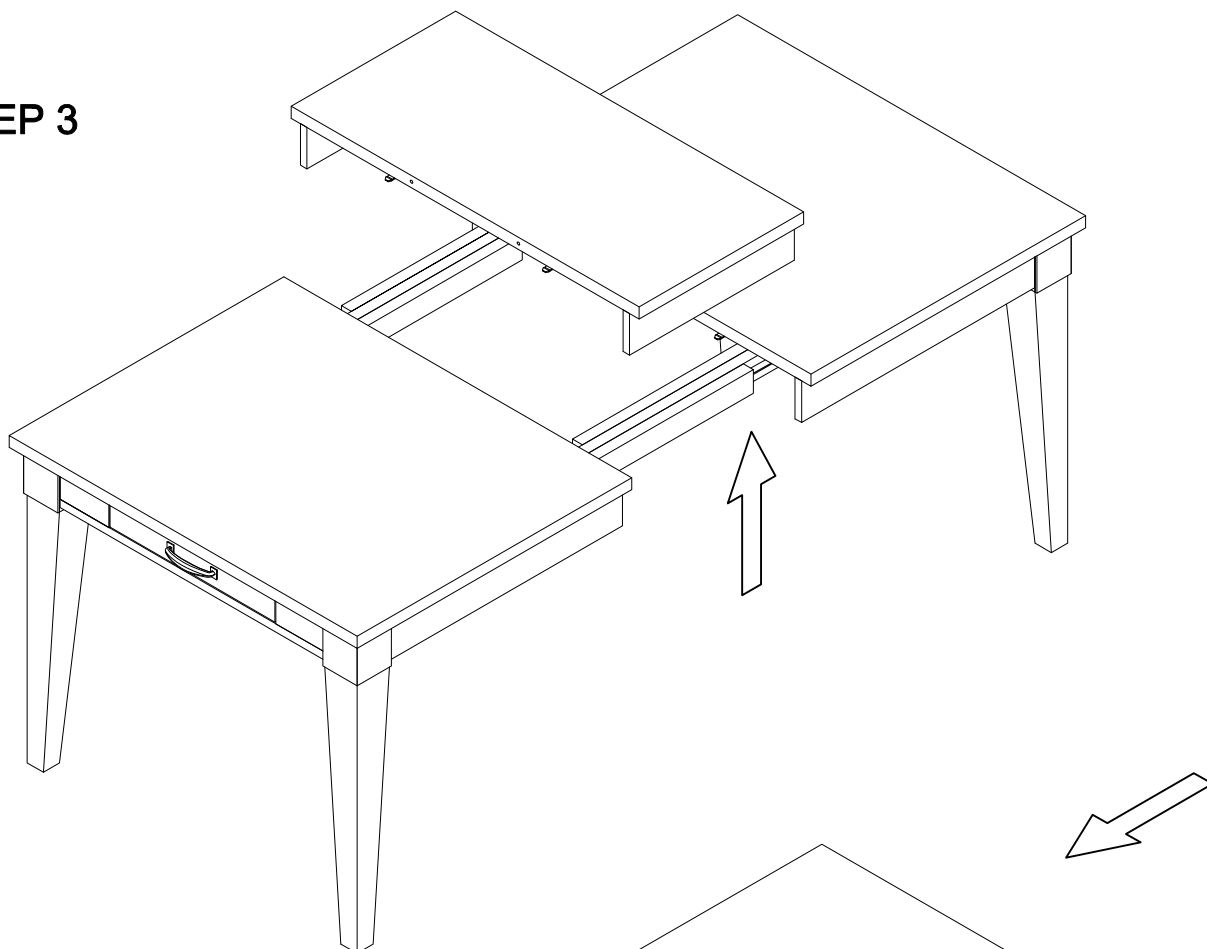


ASSEMBLY INSTRUCTIONS

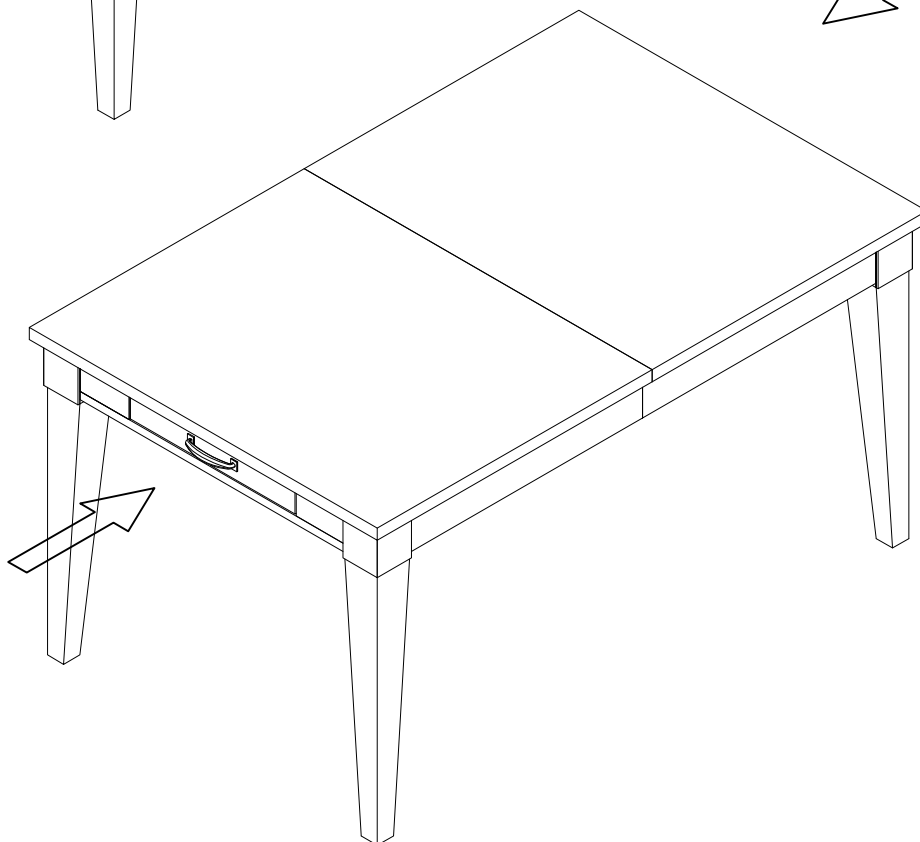
MODEL#: 1284-500 HARTFORD LEG DINING TABLE WITH DRAWERS (V#12600BHTW1)

**NOTE: KEEP THIS DOCUMENT FOR REFERENCE IN CASE PARTS ARE NEEDED
DO NOT TIGHTEN SCREWS UNTIL COMPLETELY ASSEMBLED!!**

STEP 3



STEP 4

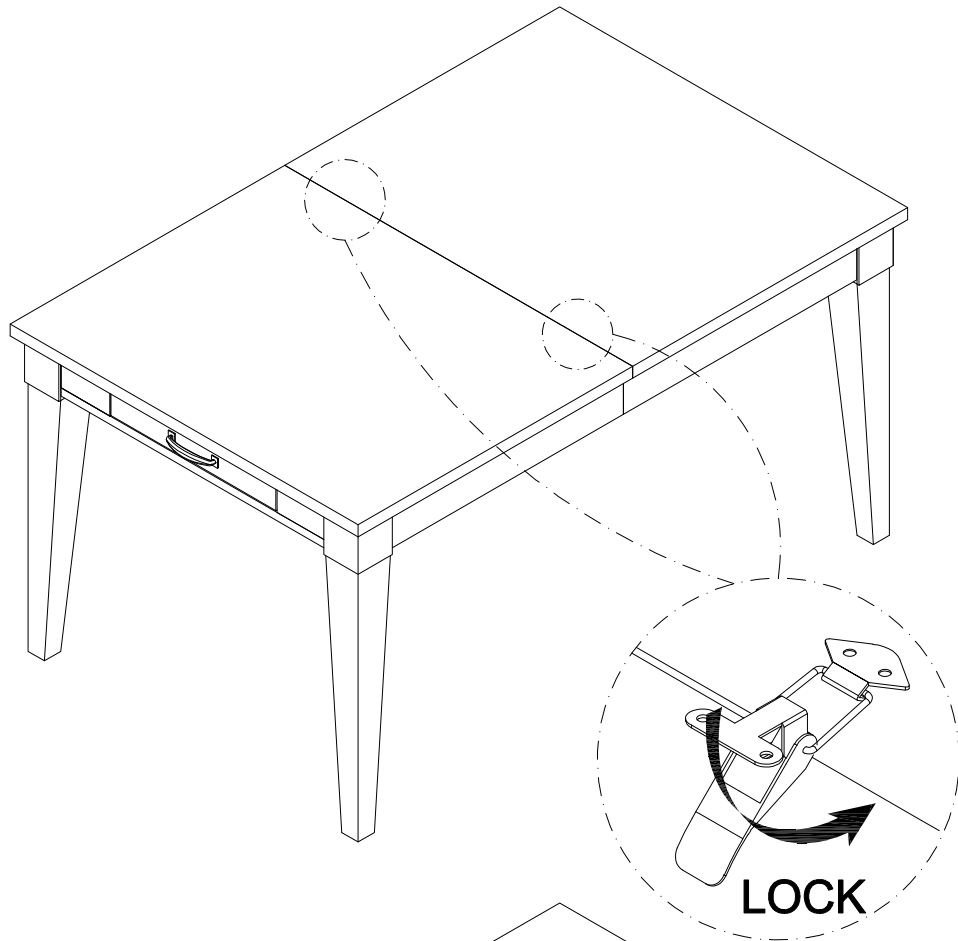


ASSEMBLY INSTRUCTIONS

MODEL#: 1284-500 HARTFORDLEG DINING TABLE WITH DRAWERS (V#12600BHTW1)

**NOTE: KEEP THIS DOCUMENT FOR REFERENCE IN CASE PARTS ARE NEEDED
DO NOT TIGHTEN SCREWS UNTIL COMPLETELY ASSEMBLED!!**

STEP 5



**Assembly Completed
(Option 2)**

