

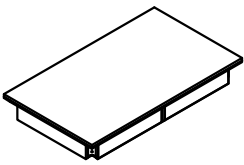
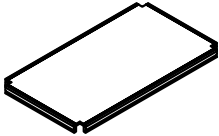
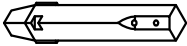
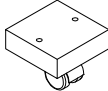
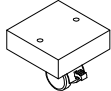
ASSEMBLY INSTRUCTIONS

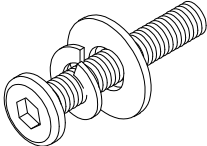

MODEL#: 1284-001 RUSTIC COCKTAIL TABLE (V#12600VHTW1)

**NOTE: KEEP THIS DOCUMENT FOR REFERENCE IN CASE PARTS ARE NEEDED
DO NOT TIGHTEN SCREWS UNTIL COMPLETELY ASSEMBLED!!**

Care Instructions:

Please wipe clean using a non-abrasive mild soap and warm water.

NO	PARTS LIST		Q'TY
A		TABLE TOP	1PC
B		BOTTOM SHELF	1PC
C		LEG	4 PCS
D		CASTER	2 PCS
E		CASTER WITH LOCK	2 PCS

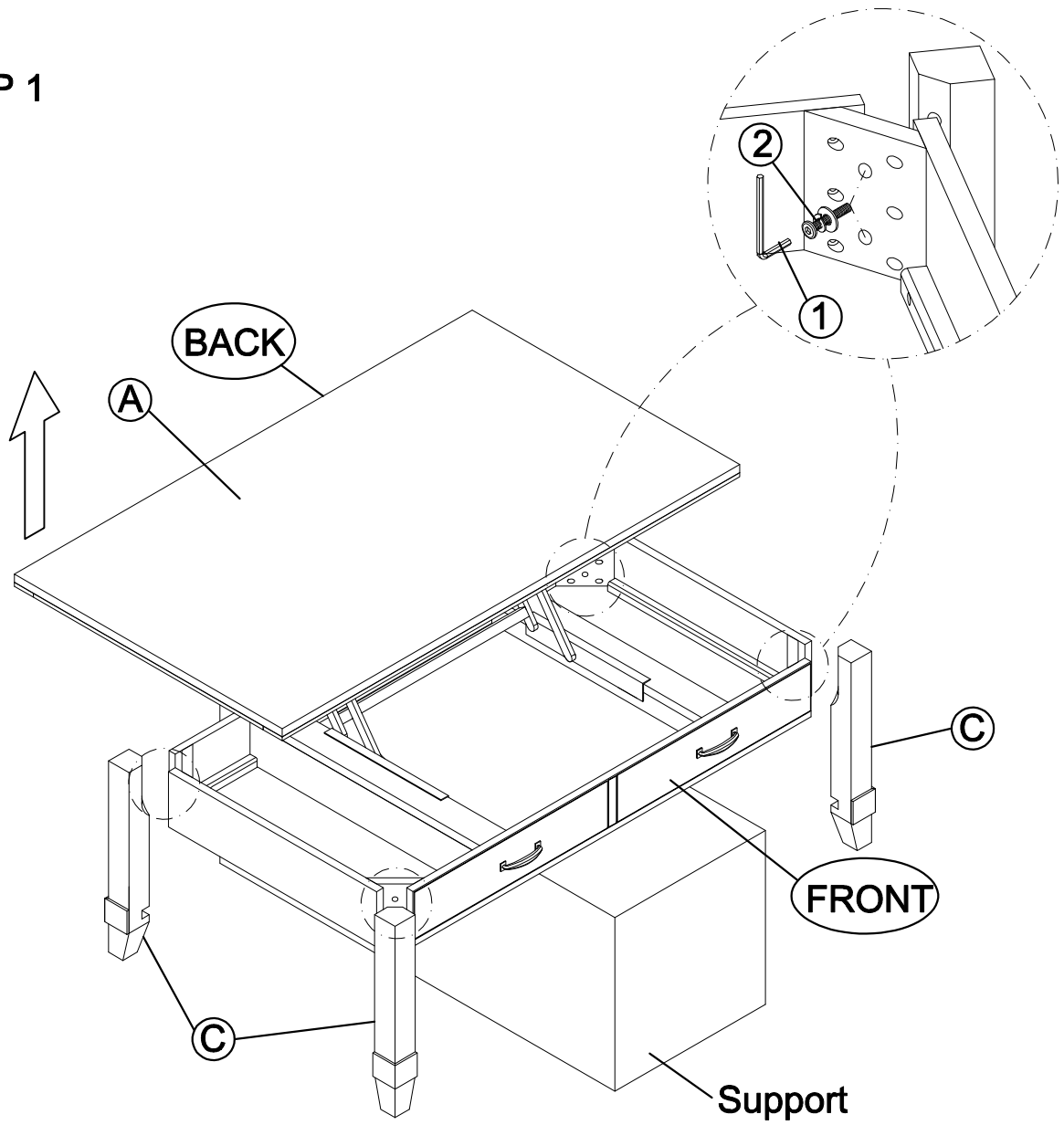
NO	HARDWARE LIST		Q'TY	
1		Bolt	Ø1/4"x2-3/8"	20 PCS
		Lock Washer	Ø1/4"	20 PCS
		Flat Washer	Ø1/4"x19Dx1.5mm	20 PCS
2		Allen Wrench	3"x4mm	1 PC

ASSEMBLY INSTRUCTIONS

MODEL#: 1284-001 RUSTIC COCKTAIL TABLE (V#12600VHTW1)

**NOTE: KEEP THIS DOCUMENT FOR REFERENCE IN CASE PARTS ARE NEEDED
DO NOT TIGHTEN SCREWS UNTIL COMPLETELY ASSEMBLED!!**

STEP 1

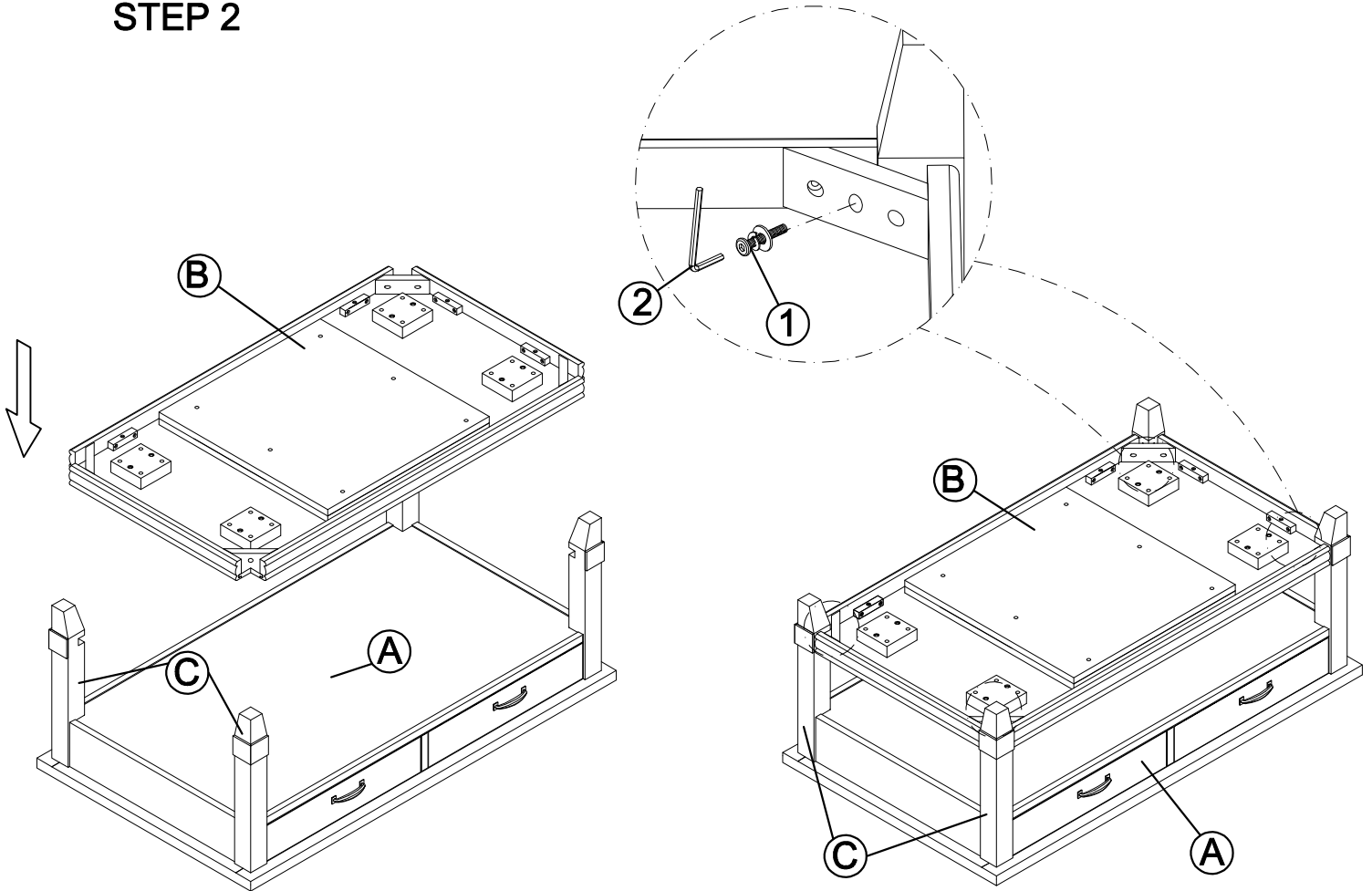


ASSEMBLY INSTRUCTIONS

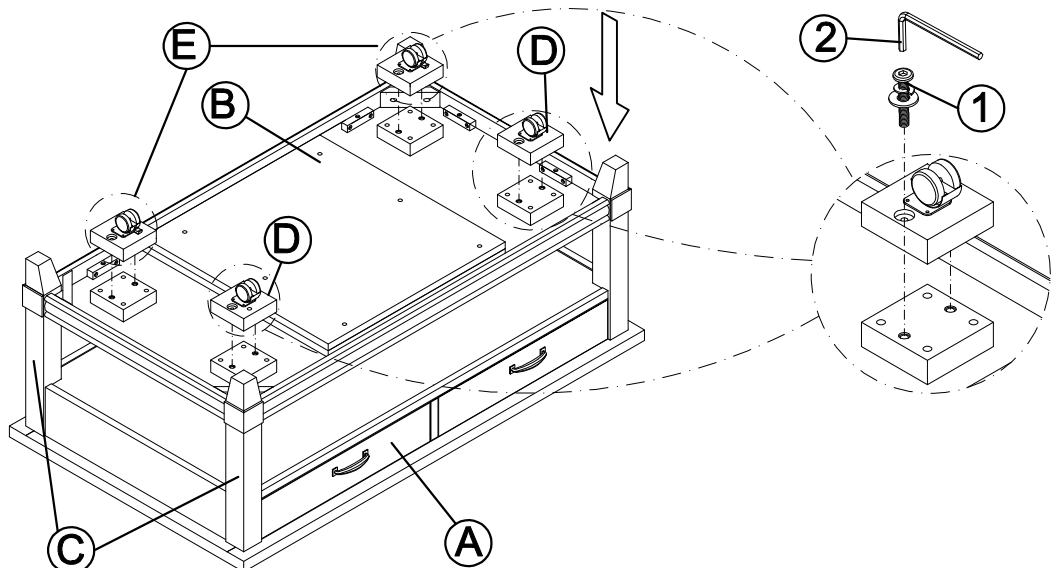
MODEL#: 1284-001 RUSTIC COCKTAIL TABLE (V#12600VHTW1)

NOTE: KEEP THIS DOCUMENT FOR REFERENCE IN CASE PARTS ARE NEEDED
DO NOT TIGHTEN SCREWS UNTIL COMPLETELY ASSEMBLED!!

STEP 2



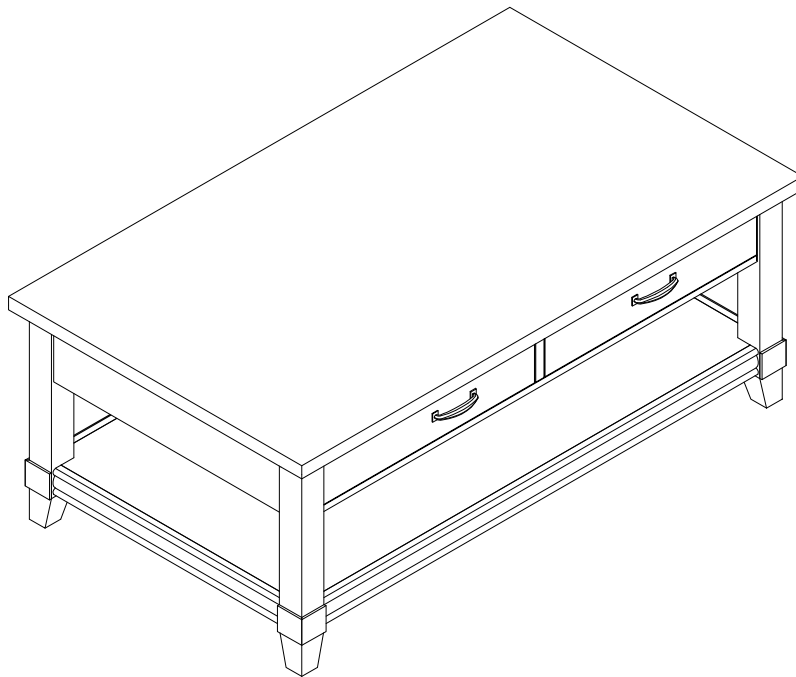
STEP 3



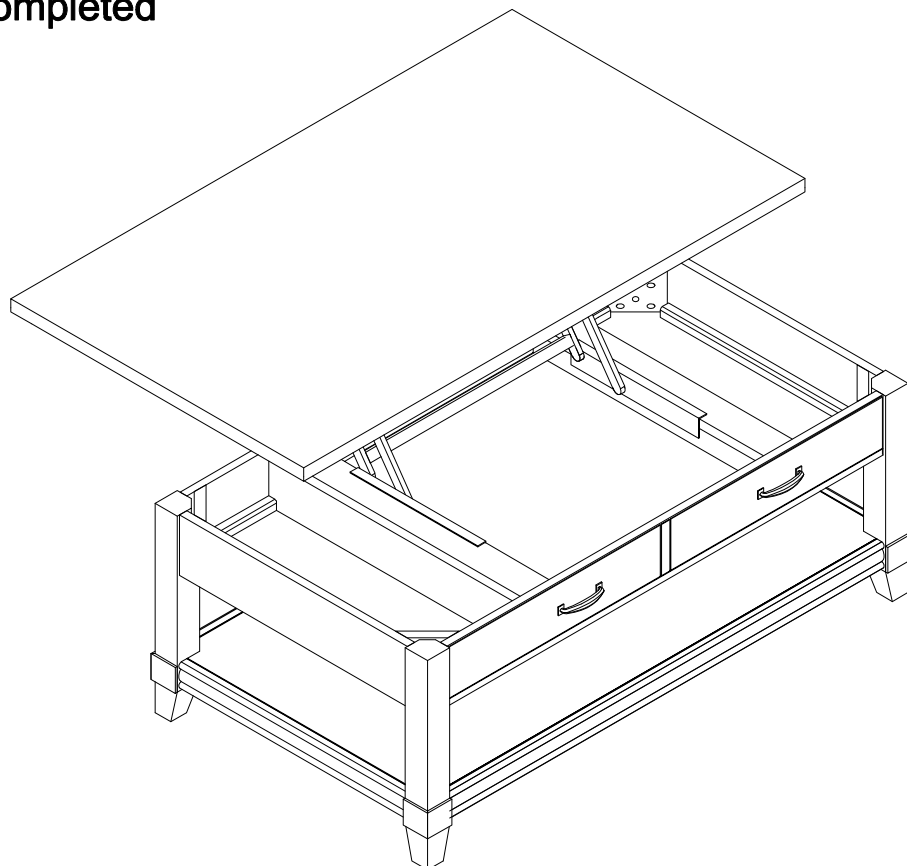
ASSEMBLY INSTRUCTIONS

MODEL#: 1284-001 RUSTIC COCKTAIL TABLE (V#12600VHTW1)

**NOTE: KEEP THIS DOCUMENT FOR REFERENCE IN CASE PARTS ARE NEEDED
DO NOT TIGHTEN SCREWS UNTIL COMPLETELY ASSEMBLED!!**



Assembly Completed



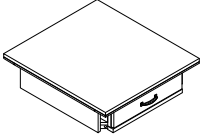
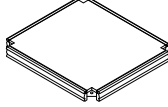
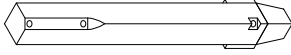
ASSEMBLY INSTRUCTIONS

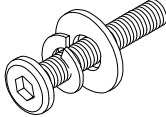

MODEL#: 1284-002 RUSTIC END TABLE (V#12600VHTW1)

**NOTE: KEEP THIS DOCUMENT FOR REFERENCE IN CASE PARTS ARE NEEDED
DO NOT TIGHTEN SCREWS UNTIL COMPLETELY ASSEMBLED!!**

Care Instructions:

Please wipe clean using a non-abrasive mild soap and warm water.

NO	PARTS LIST		Q'TY
A		TABLE TOP	1 PC
B		BOTTOM SHELF	1 PC
C		LEG	4 PCS

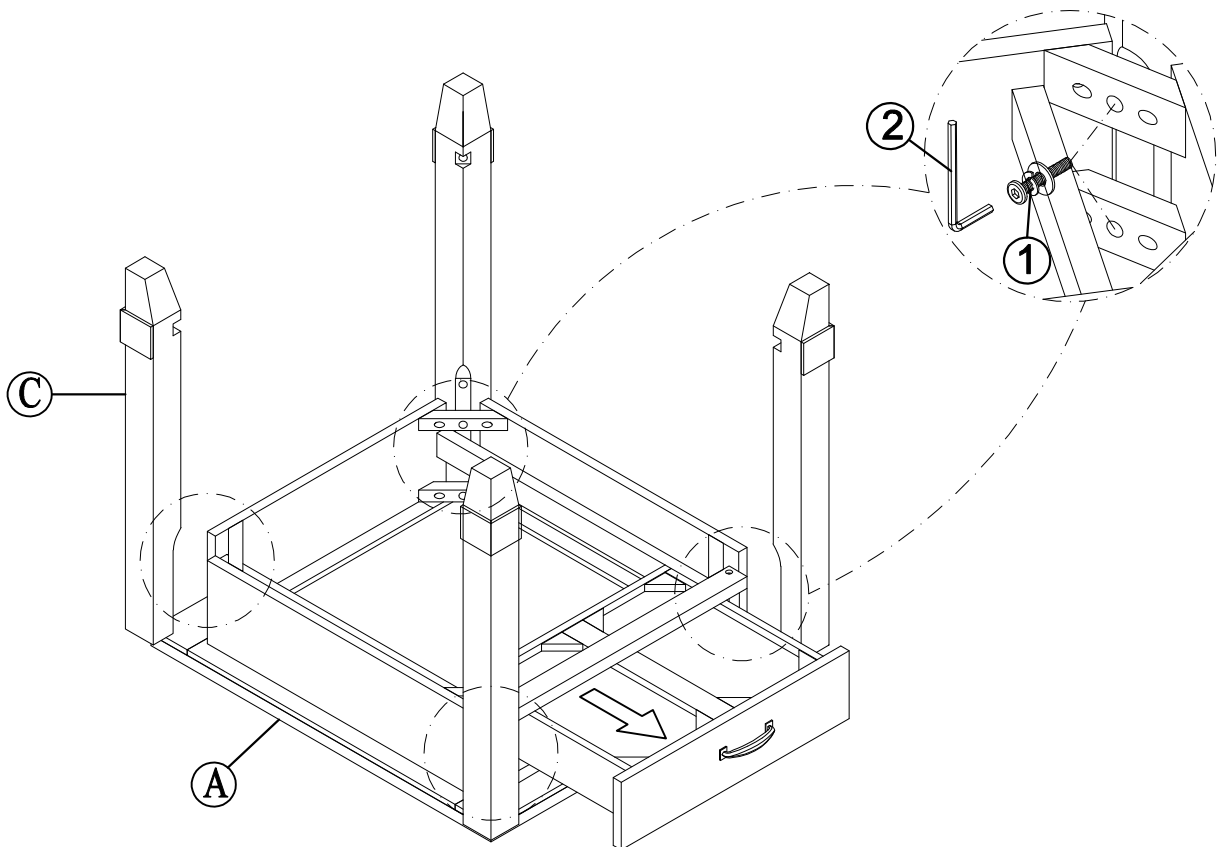
NO	HARDWARE LIST		Q'TY	
1		Bolt	Ø1/4"x2-3/8"	12 pcs
		Lock Washer	Ø1/4"	12 pcs
		Flat Washer	Ø1/4"x19Dx1.5mm	12 pcs
2		Allen Wrench	3"x4mm	1 pc

ASSEMBLY INSTRUCTIONS

MODEL#: 1284-002 RUSTIC END TABLE (V#12600VHTW1)

**NOTE: KEEP THIS DOCUMENT FOR REFERENCE IN CASE PARTS ARE NEEDED
DO NOT TIGHTEN SCREWS UNTIL COMPLETELY ASSEMBLED!!**

STEP 1

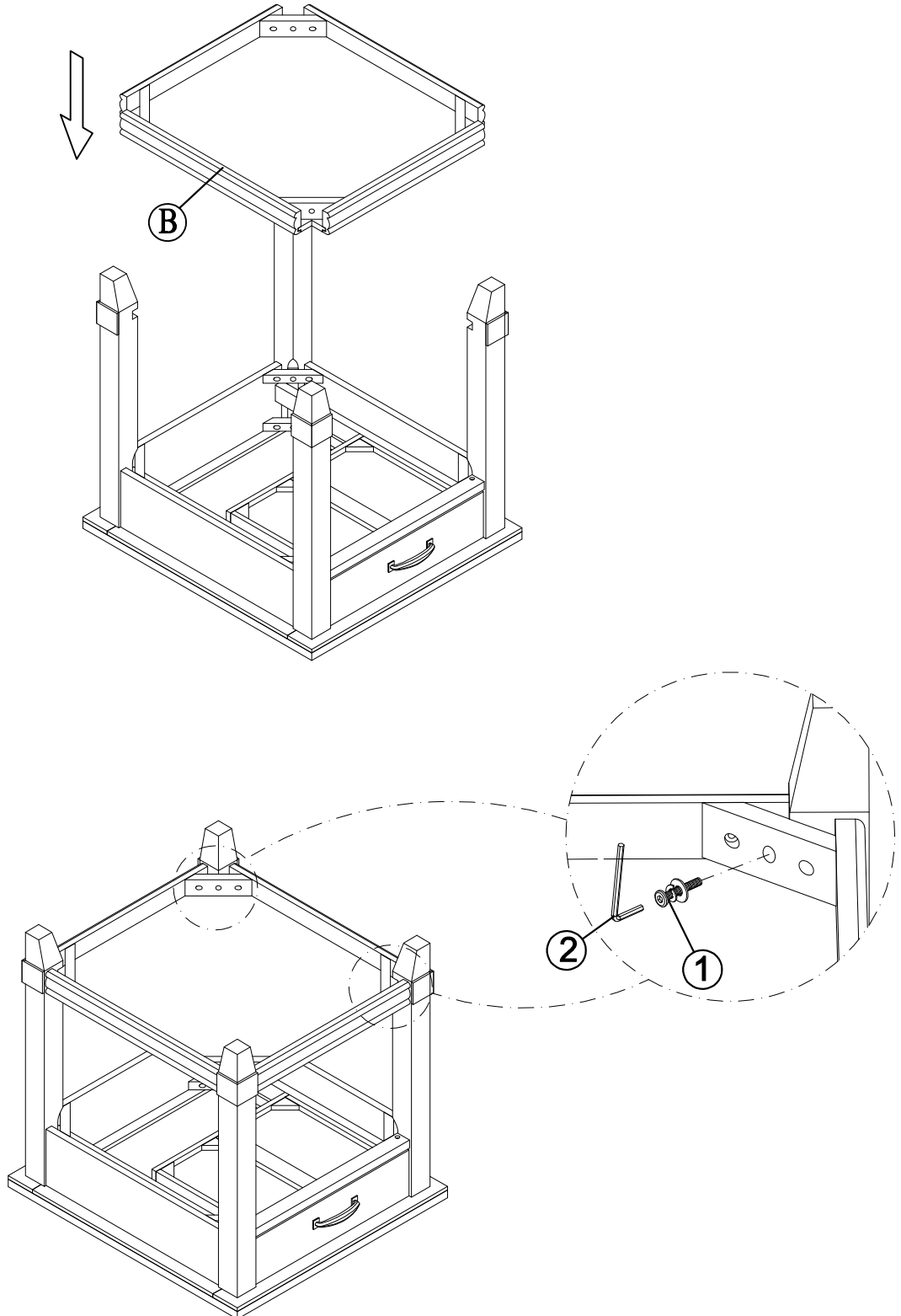


ASSEMBLY INSTRUCTIONS

MODEL#: 1284-002 RUSTIC END TABLE (V#12600VHTW1)

NOTE: KEEP THIS DOCUMENT FOR REFERENCE IN CASE PARTS ARE NEEDED
DO NOT TIGHTEN SCREWS UNTIL COMPLETELY ASSEMBLED!!

STEP 2

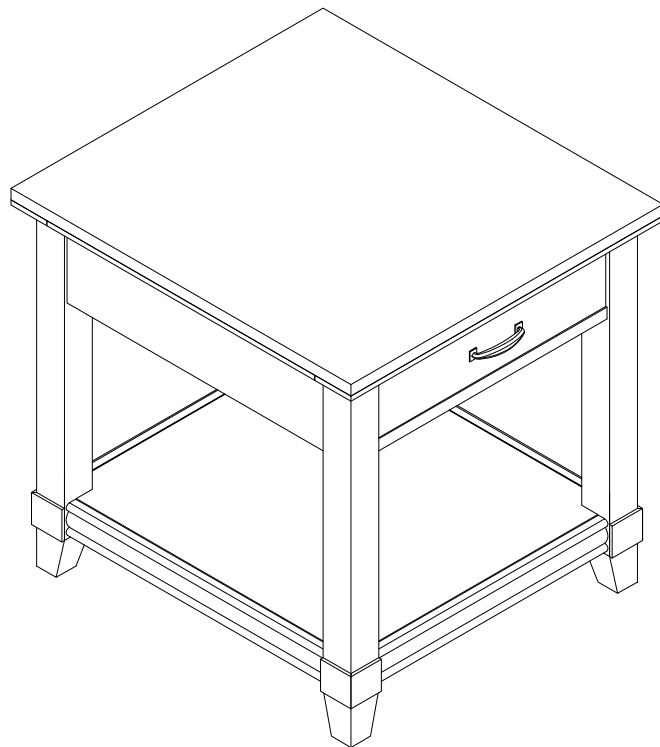


ASSEMBLY INSTRUCTIONS

MODEL#: 1284-002 RUSTIC END TABLE (V#12600VHTW1)

**NOTE: KEEP THIS DOCUMENT FOR REFERENCE IN CASE PARTS ARE NEEDED
DO NOT TIGHTEN SCREWS UNTIL COMPLETELY ASSEMBLED!!**

Assembly Completed



ASSEMBLY INSTRUCTIONS

MODEL#: 1284-003 RUSTIC CHAIRSIDE TABLE (V#12600VHTW1)

**NOTE: KEEP THIS DOCUMENT FOR REFERENCE IN CASE PARTS ARE NEEDED
DO NOT TIGHTEN SCREWS UNTIL COMPLETELY ASSEMBLED!!**

Care Instructions:

Please wipe clean using a non-abrasive mild soap and warm water.



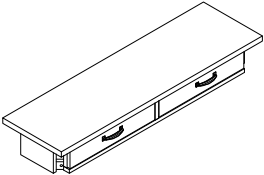
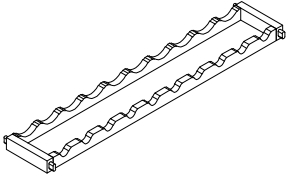
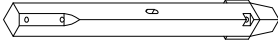
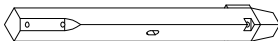
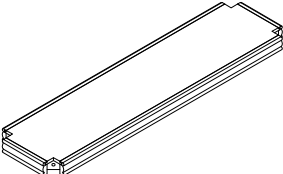
ASSEMBLY INSTRUCTIONS

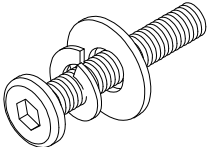

MODEL#: 1284-006 RUSTIC HALLWAY ACCENT TABLE (V#12600VHTW1)

**NOTE: KEEP THIS DOCUMENT FOR REFERENCE IN CASE PARTS ARE NEEDED
DO NOT TIGHTEN SCREWS UNTIL COMPLETELY ASSEMBLED!!**

Care Instructions:

Please wipe clean using a non-abrasive mild soap and warm water.

NO		PARTS LIST	Q'TY
A		TABLE TOP	1PC
B		WINE RACK	1PC
C		LEFT LEG	2 PCS
D		RIGHT LEG	2 PCS
E		BOTTOM SHELF	1PC

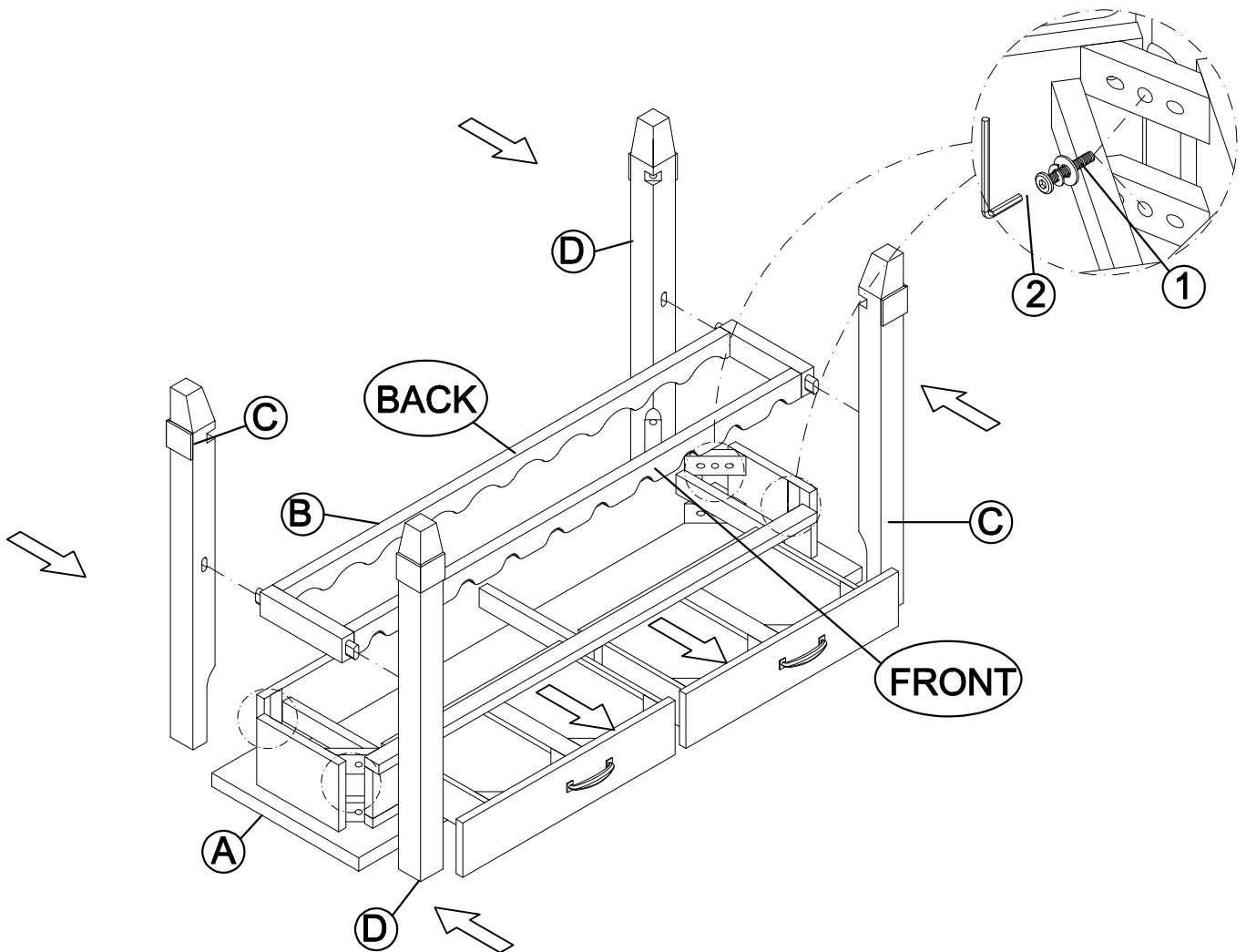
NO		HARDWARE LIST	Q'TY	
1		Bolt	Ø1/4"x2-3/8"	12 PCS
		Lock Washer	Ø1/4"	12 PCS
		Flat Washer	Ø1/4"x19Dx1.5mm	12 PCS
2		Allen Wrench	3"x4mm	1 PC

ASSEMBLY INSTRUCTIONS

MODEL#: 1284-006 RUSTIC HALLWAY ACCENT TABLE (V#12600VHTW1)

**NOTE: KEEP THIS DOCUMENT FOR REFERENCE IN CASE PARTS ARE NEEDED
DO NOT TIGHTEN SCREWS UNTIL COMPLETELY ASSEMBLED!!**

STEP 1

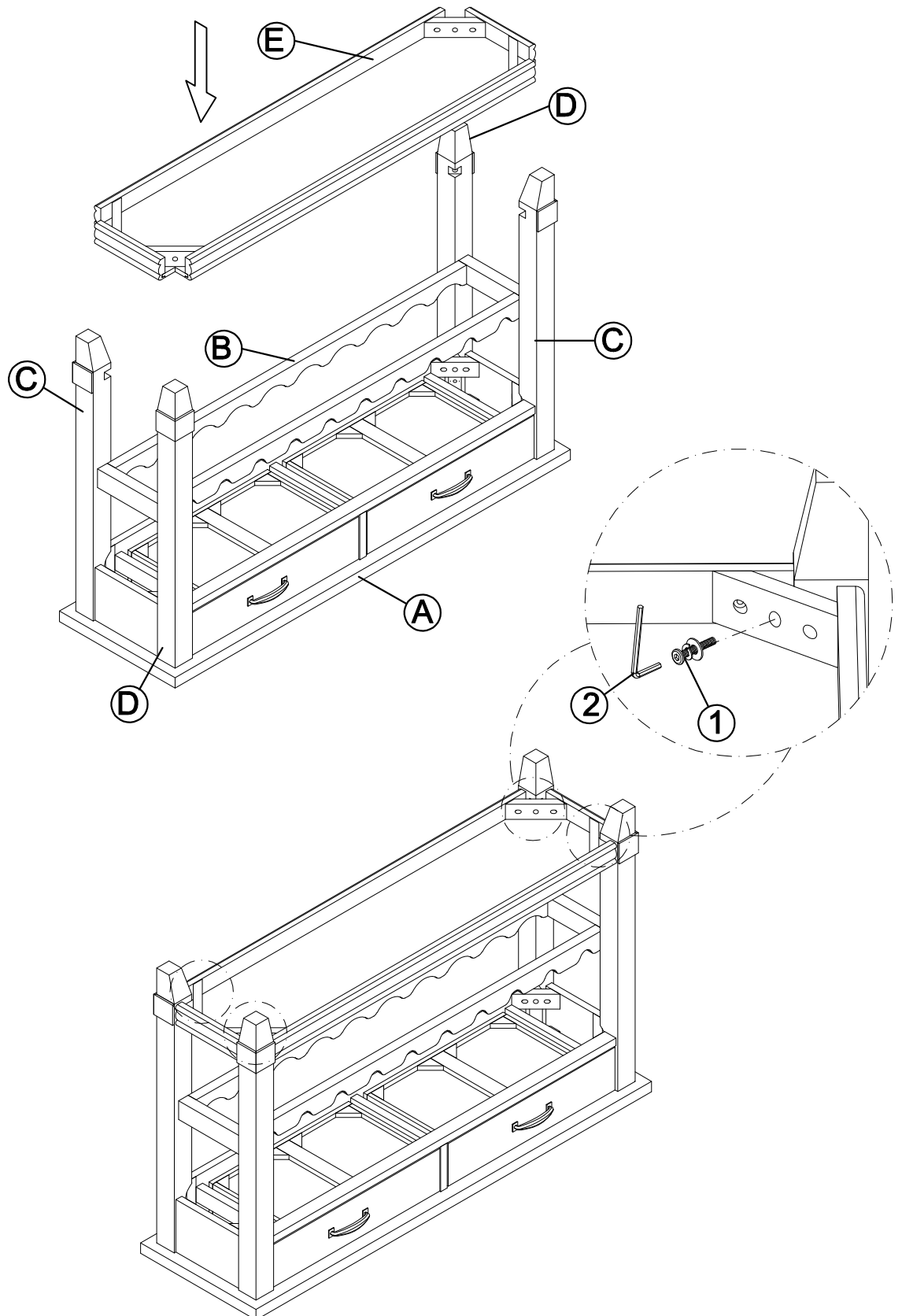


ASSEMBLY INSTRUCTIONS

MODEL#: 1284-006 RUSTIC HALLWAY ACCENT TABLE (V#12600VHTW1)

NOTE: KEEP THIS DOCUMENT FOR REFERENCE IN CASE PARTS ARE NEEDED
DO NOT TIGHTEN SCREWS UNTIL COMPLETELY ASSEMBLED!!

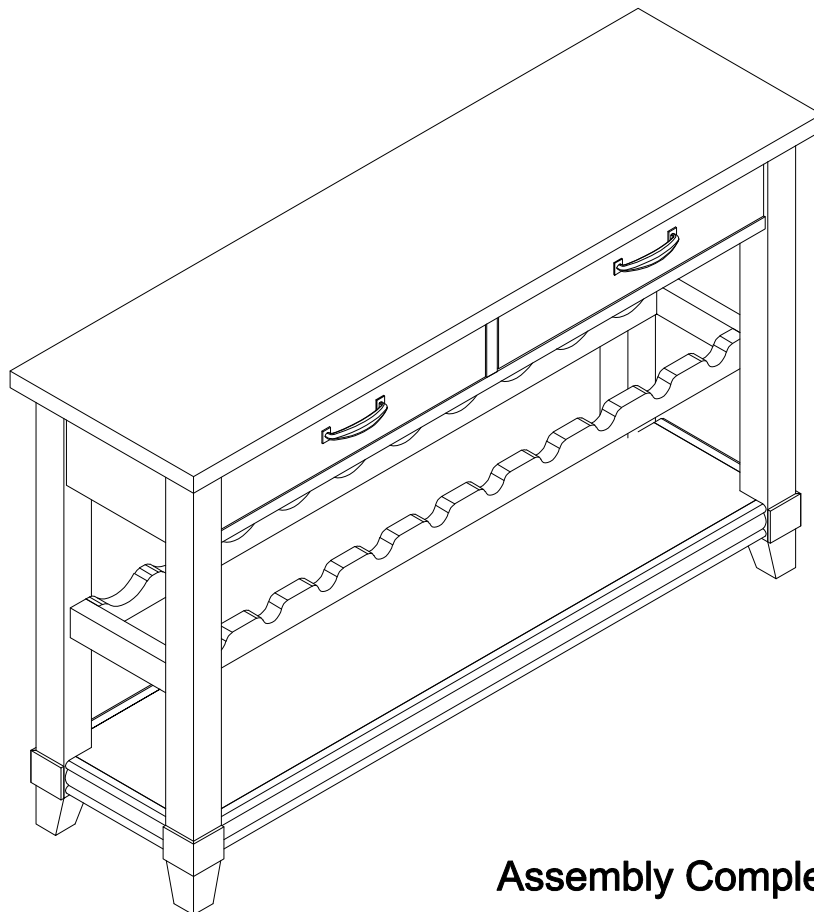
STEP 2



ASSEMBLY INSTRUCTIONS

MODEL#: 1284-006 RUSTIC HALLWAY ACCENT TABLE (V#12600VHTW1)

**NOTE: KEEP THIS DOCUMENT FOR REFERENCE IN CASE PARTS ARE NEEDED
DO NOT TIGHTEN SCREWS UNTIL COMPLETELY ASSEMBLED!!**



Assembly Completed


ASSEMBLY INSTRUCTIONS

MODEL#: 1284-122 RUSTIC ACCENT CHEST (V#12600VHTW1)

**NOTE: KEEP THIS DOCUMENT FOR REFERENCE IN CASE PARTS ARE NEEDED
DO NOT TIGHTEN SCREWS UNTIL COMPLETELY ASSEMBLED!!**

Care Instructions:

Please wipe clean using a non-abrasive mild soap and warm water.

NO	HARDWARE LIST		Q'TY
1		TIPPING RESTRAINT KIT	1 set

★ Remark: there is a tip restraint kit provided on the back of this product. Please read the directions thoroughly and install immediately when placed in home.

