

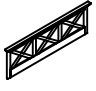


ASSEMBLY INSTRUCTIONS

ITEM # : 1280-106HQ QUEEN HEADBOARD
 ITEM # : 1281-106HQ QUEEN HEADBOARD
 ITEM # : 1282-106HQ QUEEN HEADBOARD



NOTE : THIS ITEM NOT RECOMMENDED FOR COMMERCIAL USE
 KEEP THIS DOCUMENT FOR REFERENCE IN CASE PARTS ARE NEEDED

DO NOT TIGHTEN SCREWS UNTIL COMPLETELY ASSEMBLED !!

PARTS LIST

NO	SKETCH	DESCRIPTION	QTY
A		HEAD BOARD	1 PCS
B		HEADBOARD LEG L	1 PCS
C		HEADBOARD LEG R	1 PCS

HARDWARE LIST

NO	OUTLOOK	DESCRIPTION	SIZE	QTY
1		JCBB WITH WASHER	M6 x 35MM	10 PCS
2		ALLEN KEY	M4 x 55MM	1 PCS

