


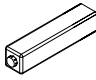
# ASSEMBLY INSTRUCTIONS

ITEM # : 1280-132 DRESSER  
 ITEM # : 1281-132 DRESSER  
 ITEM # : 1282-132 DRESSER

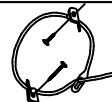
NOTE : THIS ITEM NOT RECOMMENDED FOR COMMERCIAL USE  
 KEEP THIS DOCUMENT FOR REFERENCE IN CASE PARTS ARE NEEDED

DO NOT TIGHTEN SCREWS UNTIL COMPLETELY ASSEMBLED !!

## PARTS LIST

NO	SKETCH	DESCRIPTION	QTY
A		DRESSER	1 PCS
B		SUPPORT LEG (91MM)	1 PCS

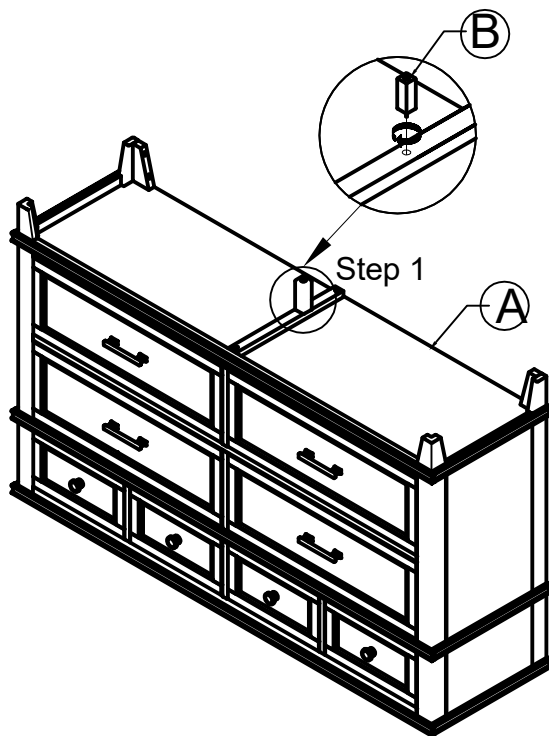
## HARDWARE LIST

NO	OUTLOOK	DESCRIPTION	QTY
1		TIPPING RESTRAINT	1 PCS

### TOOLS REQUIRED ( NOT PROVIDED )

PHILIP SCREW DRIVER 1 PCS

## STEP 1



**STEP 2 :** Move the Dresser (A) into final position and use tipping restraint (1) attach to wall

