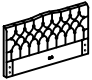
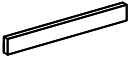









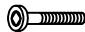
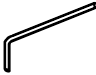
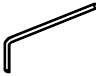






ASSEMBLY INSTRUCTIONS

MODEL : #1180DS-105HQN / #1180DS-105FQRL
(V#12600CF SB1)

**NOTE : THIS ITEM NOT RECOMMENDED FOR COMMERCIAL USE
KEEP THIS DOCUMENT FOR REFERENCE IN CASE PARTS ARE NEEDED**

DO NOT TIGHTEN SCREWS UNTIL COMPLETELY ASSEMBLED !!

NO		DESCRIPTION	QTY
A		Headboard	1pc
B		Footboard	1pc
C		Side Rail	2pcs
D		Legs	4pcs
E		Center Rail	1pc
F		Support Legs	2pcs
G		Stiffener Slat	2pcs
H		LVL Slat	28pcs

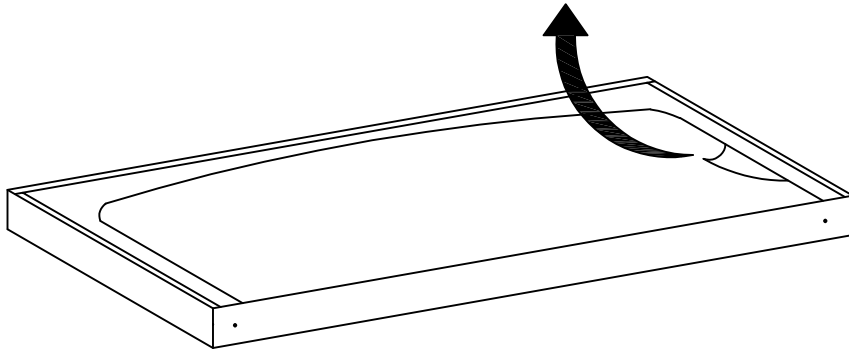
NO		DESCRIPTION	QTY
1		JCBB M8 x 20	8pcs
2		JCBC M6 x 40	2 pcs
3		Wrench Key 65mm	1pc
4		Wrench Key 70mm	1pc
5		CSK Screw 25mm	2pcs
6		CSK Screw 32mm	6pcs
7		NO 35 Washers	4pcs
8		Adjuster	2pcs
9		Middle Holder	14pcs
10		End Holder	28pcs

ASSEMBLY INSTRUCTIONS

MODEL : #1180DS-105HQN / #1180DS-105FQRL
(V#12600CF SB1)

STEP 1 :

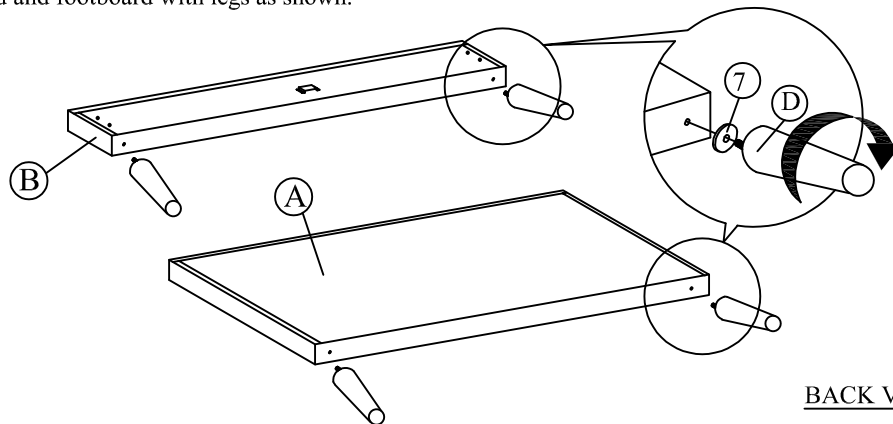
Step 1: Unzip the black non-woven fabric on the back of headboard and take out the night stand out.



Attention: Re-zip the black non-woven fabric after you take out the parts.

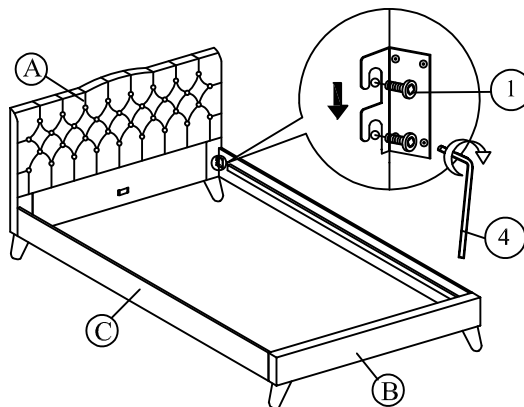
STEP 2 :

Attach the headboard and footboard with legs as shown.



STEP 3 :

Attach side rail to footboard first follow by headboard by pushing the bracket down to fit it.

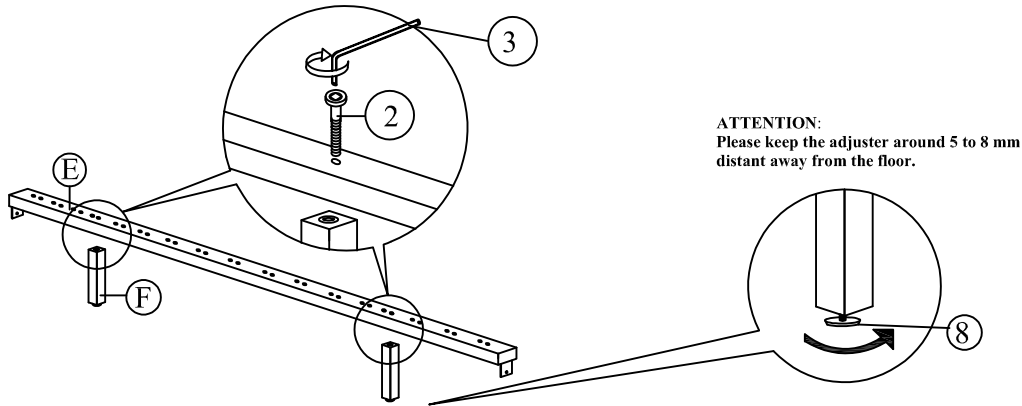


ASSEMBLY INSTRUCTIONS

MODEL : #1180DS-105HQN / #1180DS-105FQRL
(V#12600CF5B1)

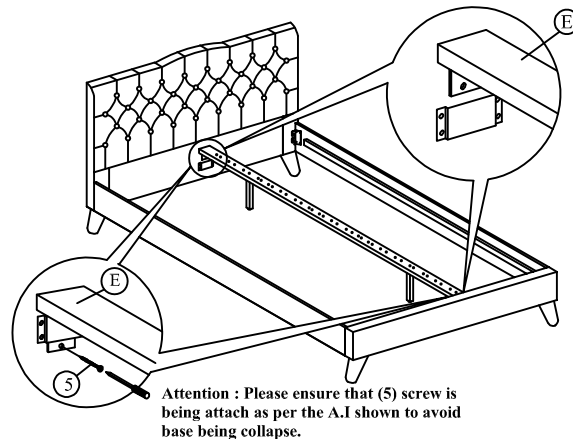
STEP 4 :

Attach the support legs to the center rail of the bed as shown.



STEP 5 :

Slide the center rail to the headboard and footboard . Tighten screws using screw driver (not included) to the headboard (A) and footboard (B).



STEP 6 :

Affix the stiffener slat to the side rail support wood and the center rail. Tighten all the 4 corner , follow by assembly of the slat holders with LVL slats as shown.

