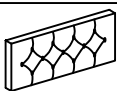


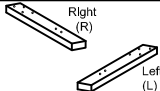

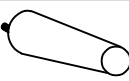
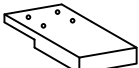




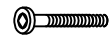







# ASSEMBLY INSTRUCTIONS

MODEL : #1136-103 (V#12600CF SB1)

**NOTE : THIS ITEM NOT RECOMMENDED FOR COMMERCIAL USE  
KEEP THIS DOCUMENT FOR REFERENCE IN CASE PARTS ARE NEEDED**

**DO NOT TIGHTEN SCREWS UNTIL COMPLETELY ASSEMBLED !!**

NO		DESCRIPTION	QTY
A		Headboard	1pc
B		Footboard	1pc
C		Side Rail	4pcs
D		Headboard Legs	2pcs
E		Slat	12pcs
F		Legs	2pcs
G		Side Rail Legs	2pcs

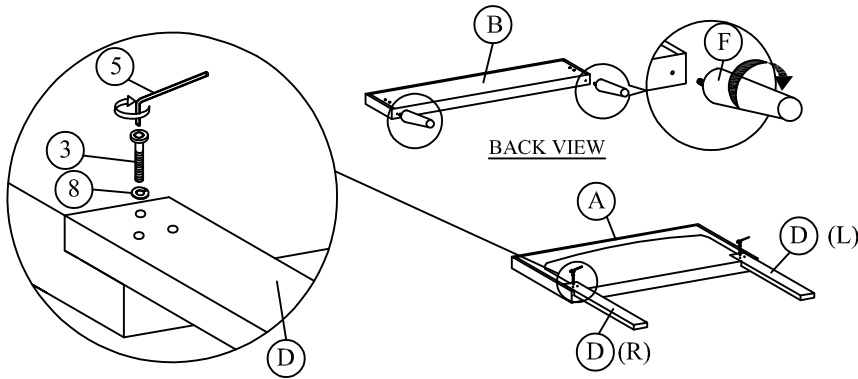
NO		DESCRIPTION	QTY
1		JCBB M8 x 20	8pcs
2		JCBC M6 x 30	8pcs
3		JCBC M6 x 50	6pcs
4		CSK Screw 16mm	4pcs
5		Wrench Key 65mm	1pc
6		Wrench Key 70mm	1pc
7		CSK Screw 32mm	24pcs
8		Spring Washers	6pcs
9		Flat Washers	8pcs
10		USB Port	1set

# ASSEMBLY INSTRUCTIONS

MODEL : #1136-103 (V#12600CF SB1)

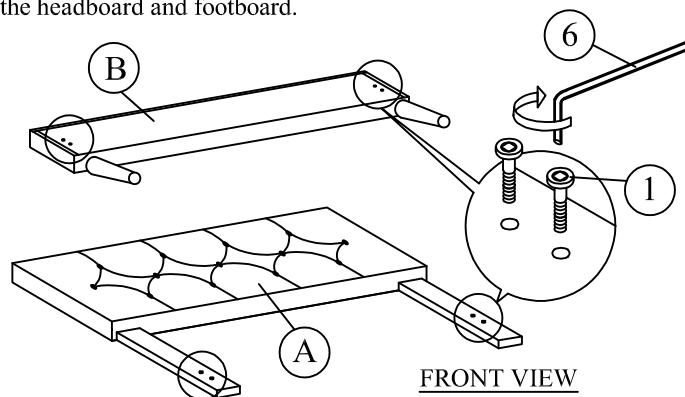
## STEP 1 :

Fix the headboard (A) and headboard legs (D), Then fix the footboard (B) with footboard legs (F) as shown.



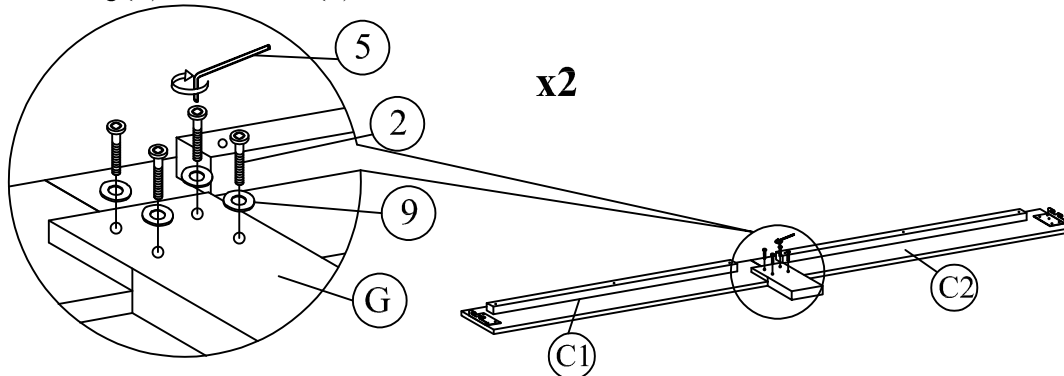
## STEP 2 :

Attach the JCBB Bolt (1) to the headboard and footboard.



## STEP 3 :

Attach the side rail leg (G) to the side rail (C).

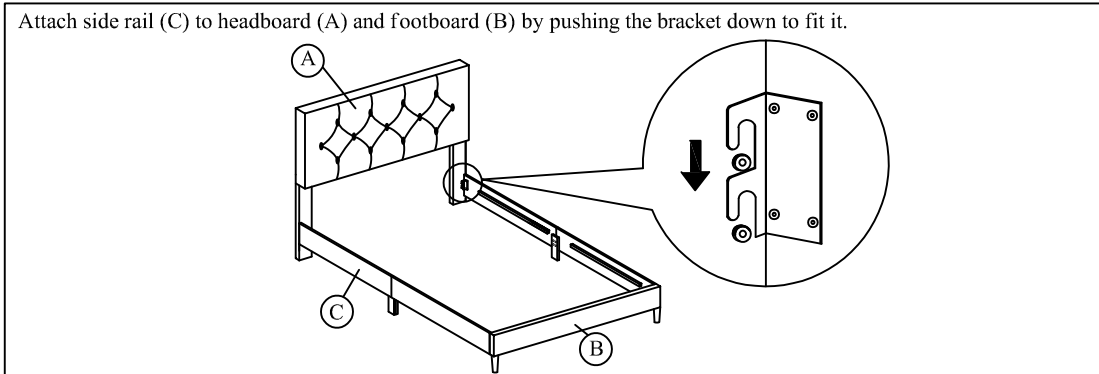


# ASSEMBLY INSTRUCTIONS

MODEL : #1136-103 (V#12600CFSB1)

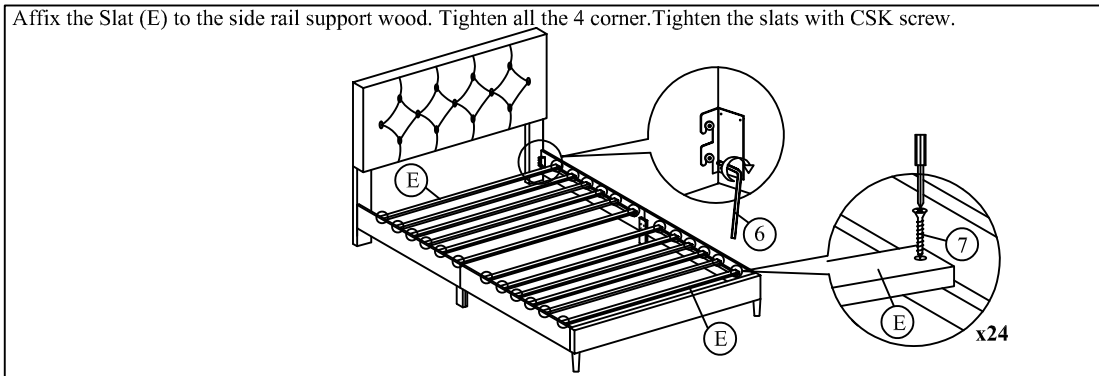
## STEP 4 :

Attach side rail (C) to headboard (A) and footboard (B) by pushing the bracket down to fit it.



## STEP 5 :

Affix the Slat (E) to the side rail support wood. Tighten all the 4 corner. Tighten the slats with CSK screw.



## STEP 6 :

Attach the USB at the back of the headboard (Screw in at the marking provided).

