

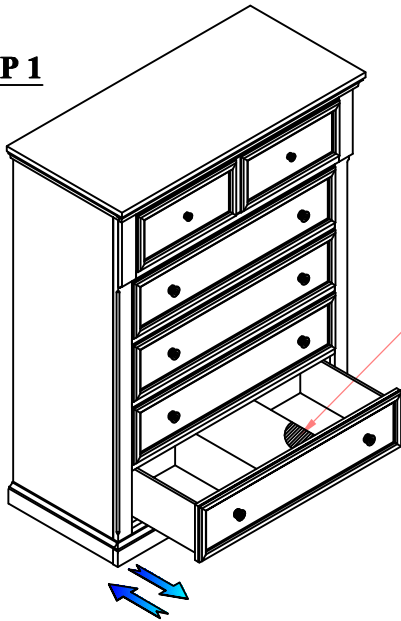
# ASSEMBLY INSTRUCTIONS

**MODEL # : 1045 PRESCOTT CHEST (07/2016) (V#12600VTC1)**

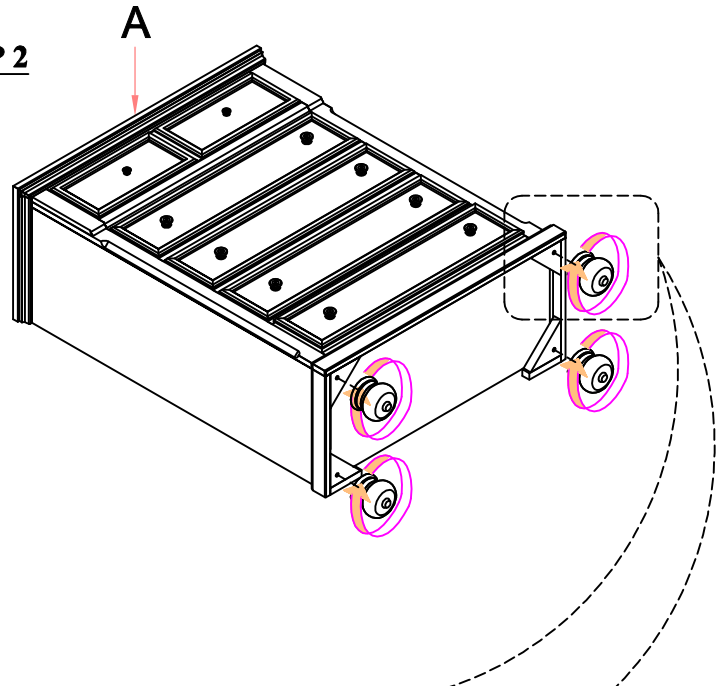
**NOTE: THIS ITEM NOT RECOMMENDED FOR COMMERCIAL USE  
KEEP THIS DOCUMENT FOR REFERENCE IN CASE PARTS ARE NEEDED  
DO NOT TIGHTEN SCREWS UNTIL COMPLETELY ASSEMBLED! !**

| No | DESCRIPTION |                          | Q'TY |
|----|-------------|--------------------------|------|
| A  | CHEST SIZE  | 38" X 18" X 48-1/2"      | 1PC  |
| B  | LEG SIZE    | 4-3/8" X 4-3/8" X 3-1/2" | 4PCS |

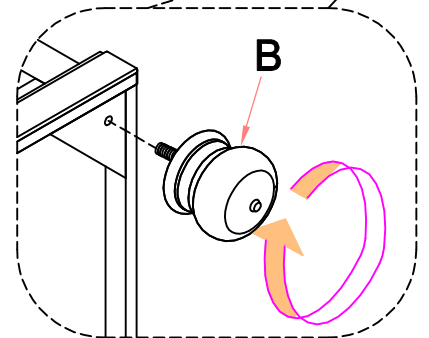
**STEP 1**



**STEP 2**



★ Remark: there is a tip restraint kit provided on the back of this product. Please read the directions thoroughly and install immediately when placed in home



**STEP 3**

