

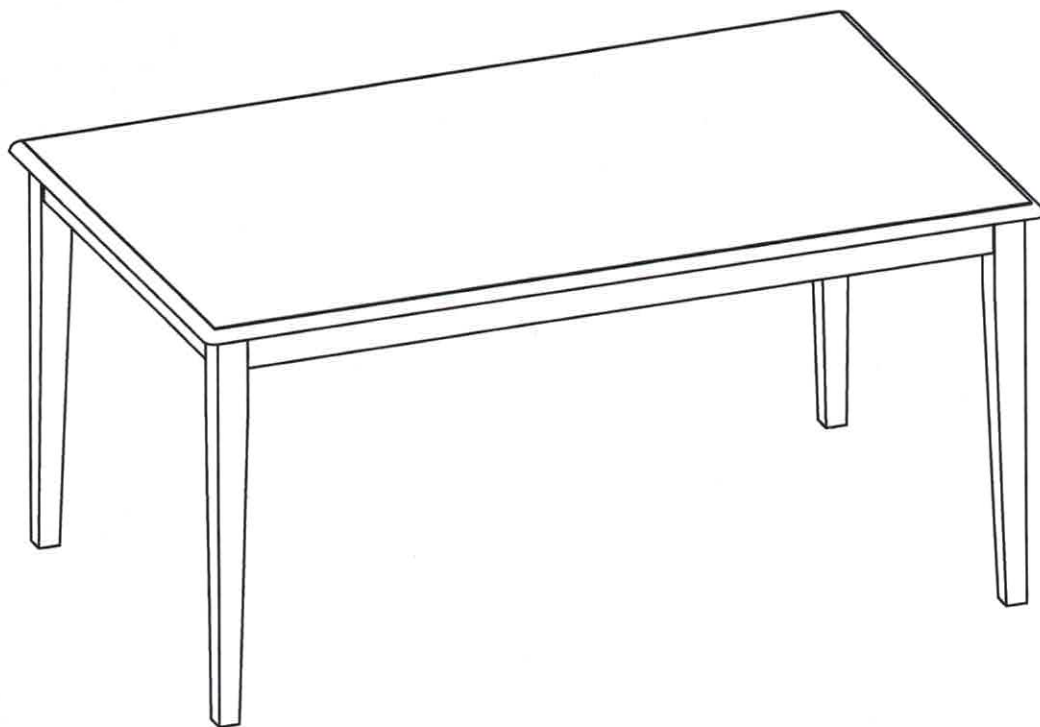
70136, 70536, 70636

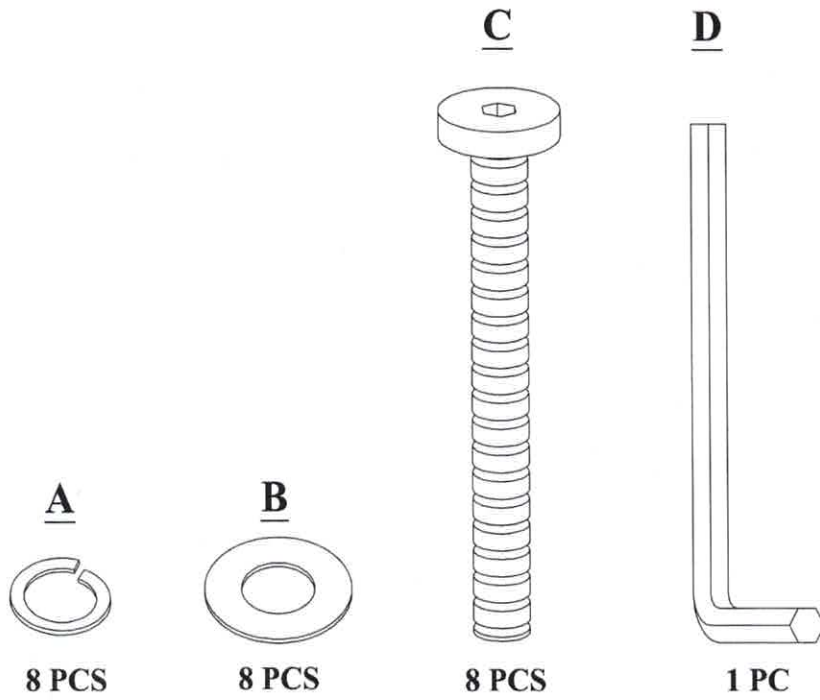


Boraam Industries

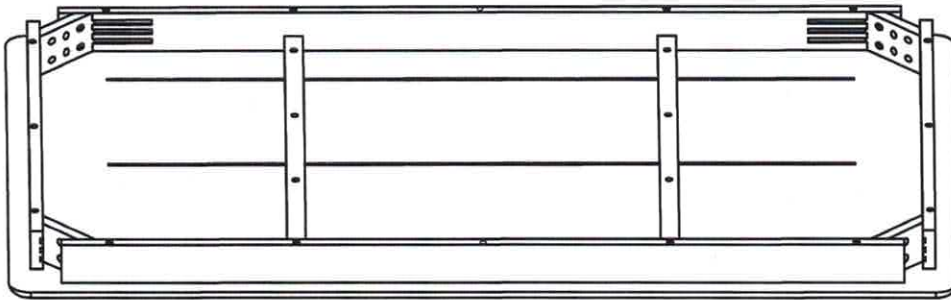
SHAKER TABLE

ASSEMBLY INSTRUCTIONS

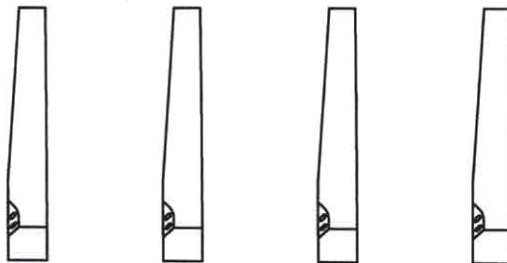




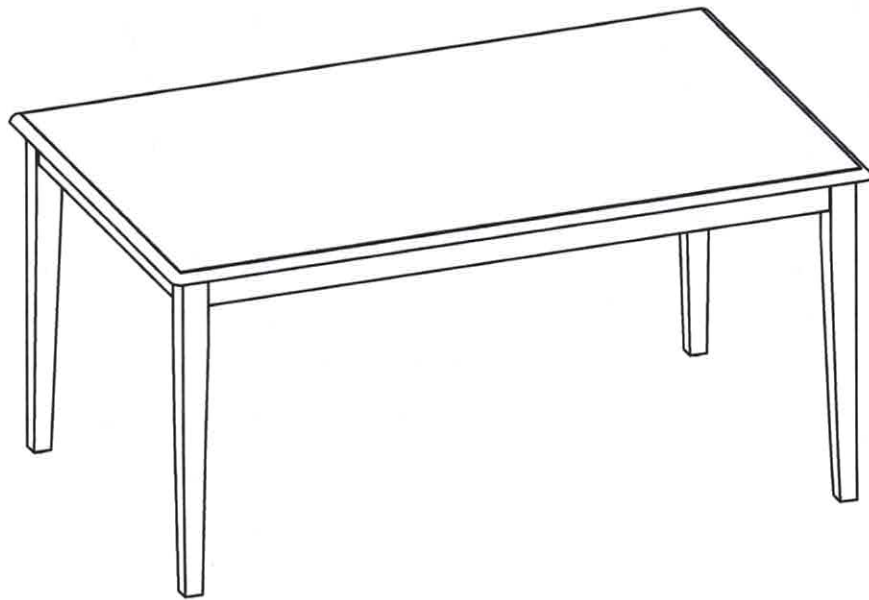
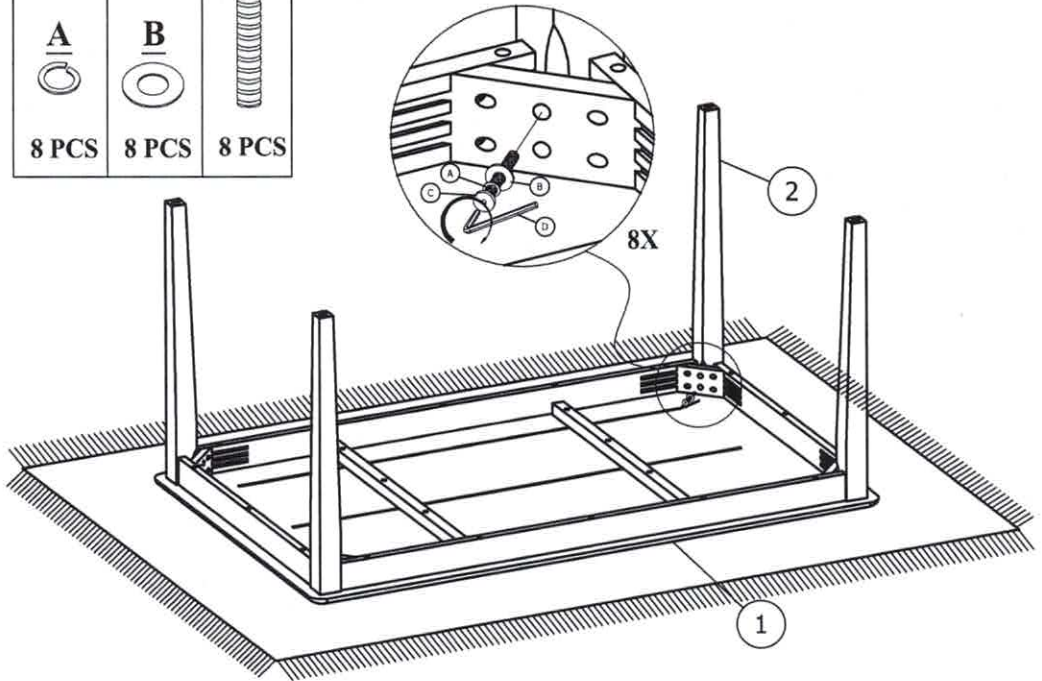
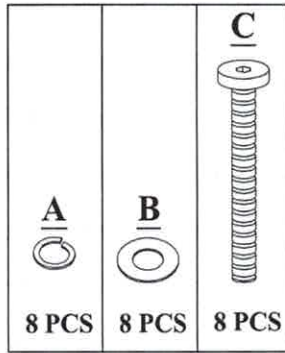
①



②



01



BE SURE TO CHECK ALL BOLTS ARE SECURELY TIGHTENED PRIOR USING THIS TABLE

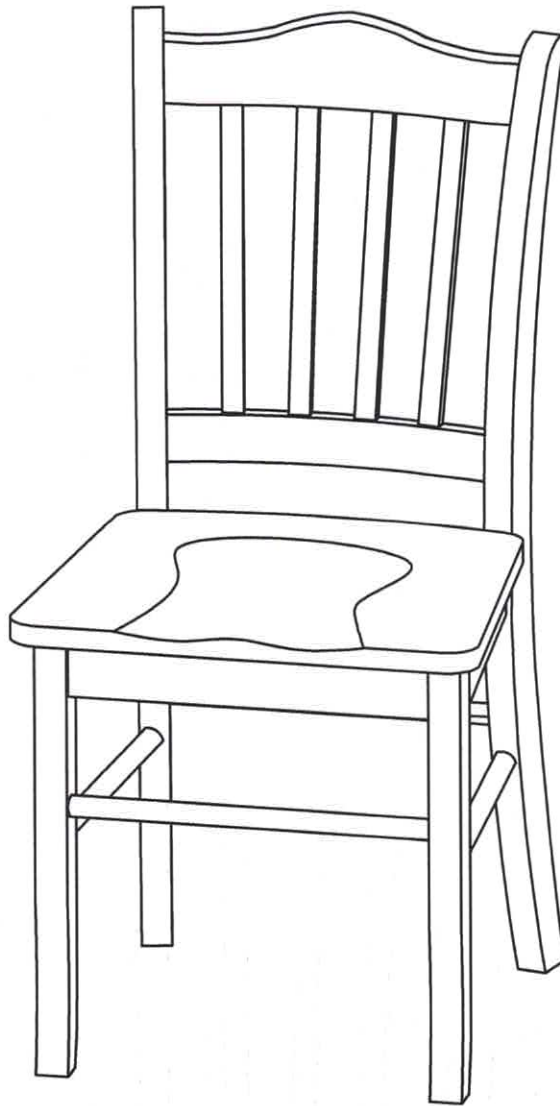
30136, 30536, 30636



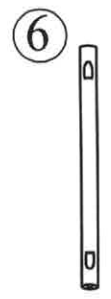
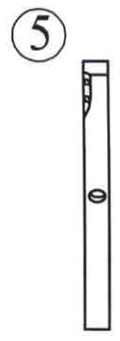
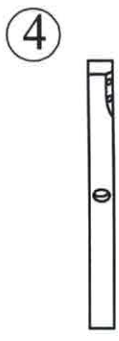
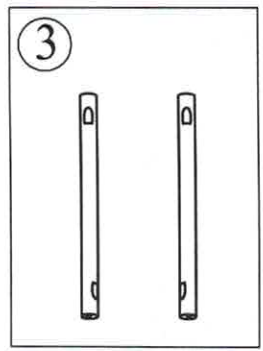
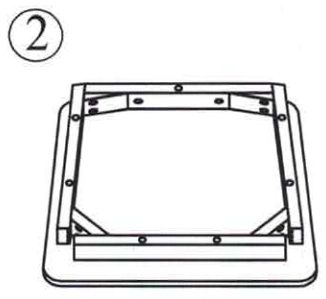
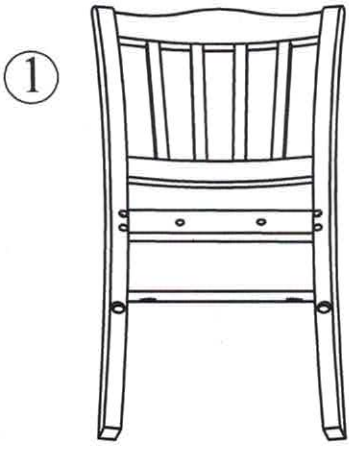
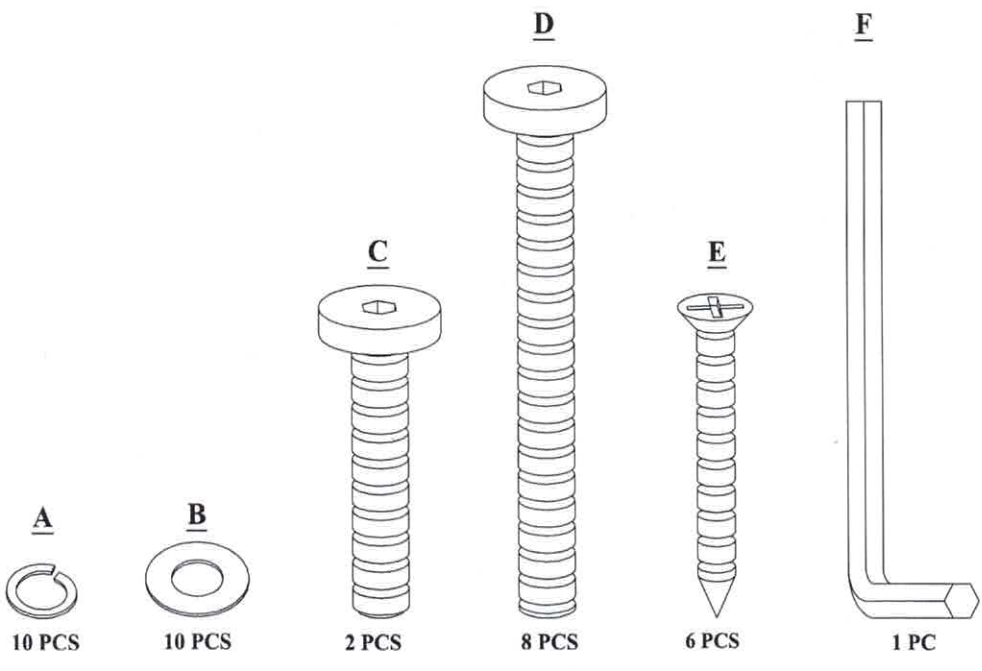
Boraam Industries

SHAKER DINING CHAIR





ASSEMBLY INSTRUCTIONS

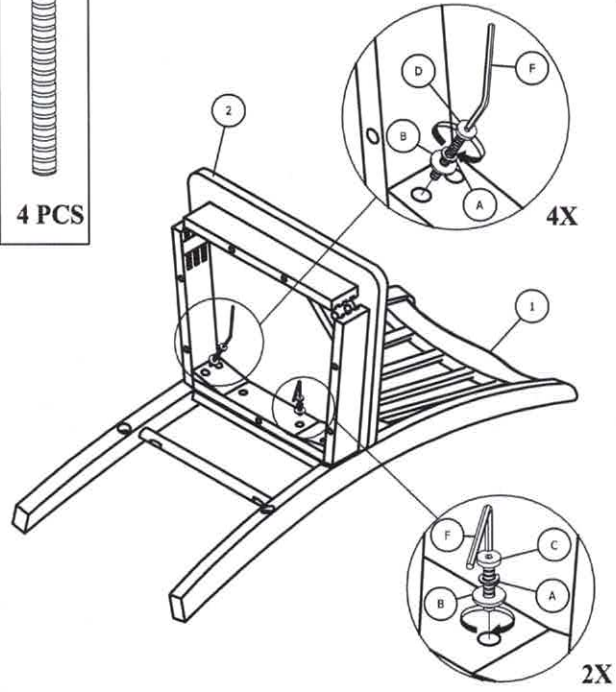


Phillips
Screwdriver
(Not provided)

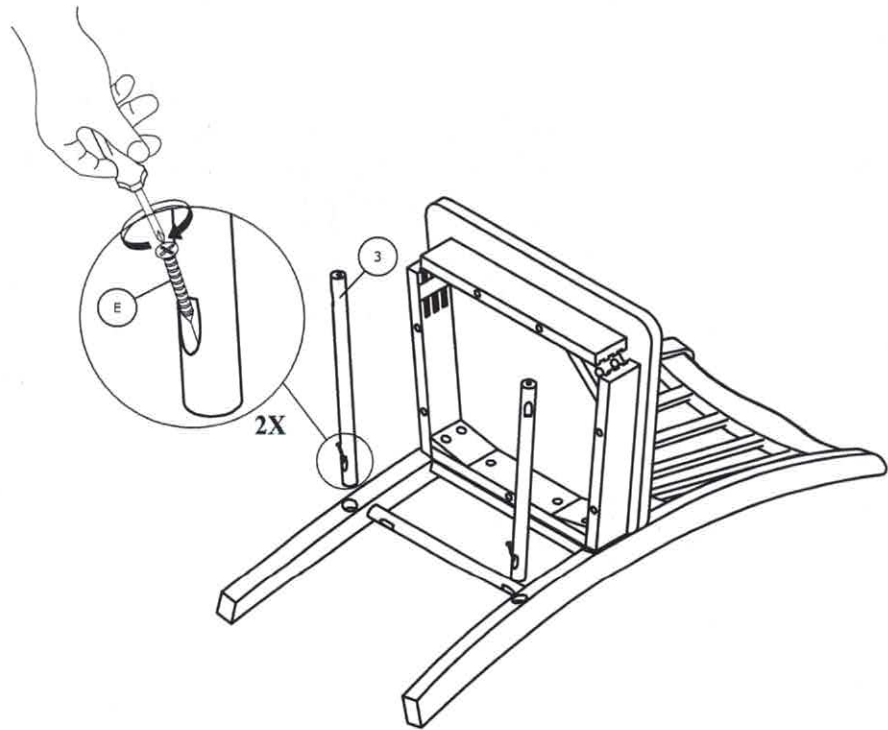
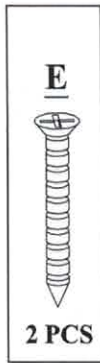


01

A  6 PCS	B  6 PCS	C  2 PCS	D  4 PCS
--	--	--	--

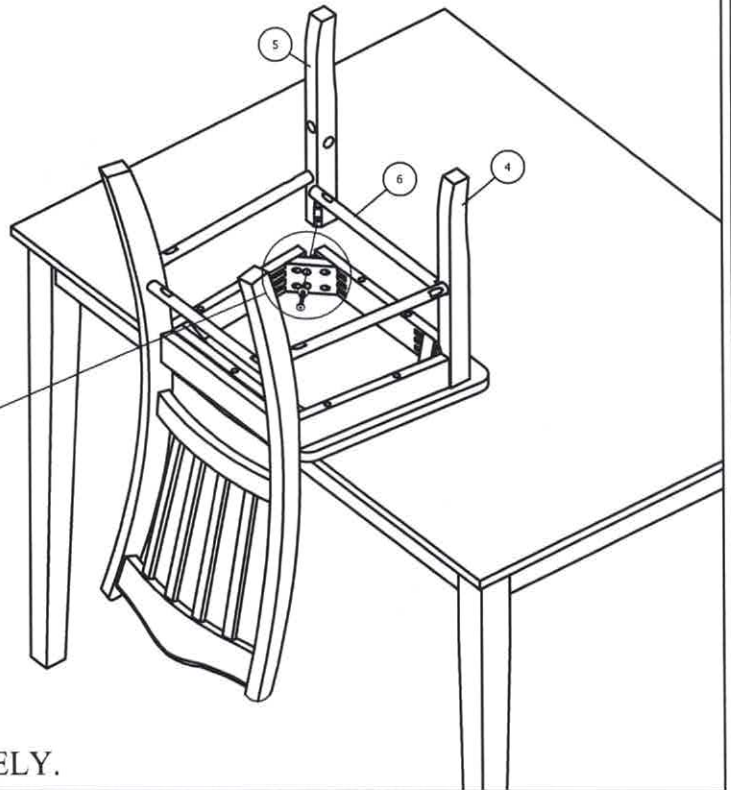
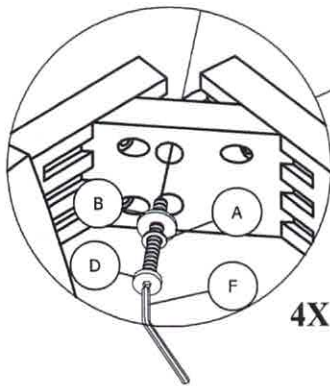
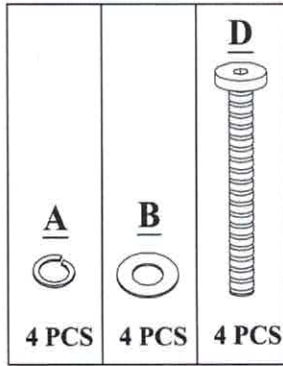


02



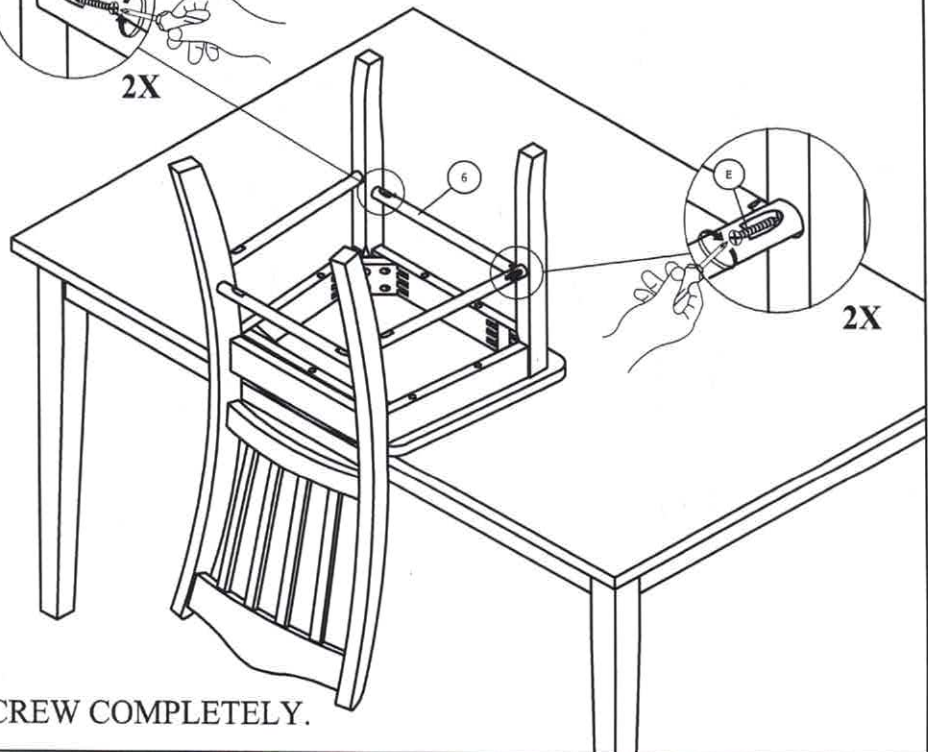
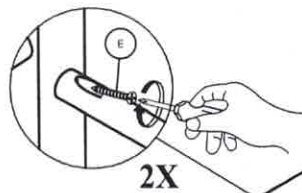
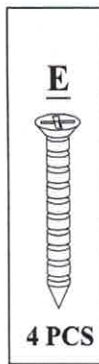
DO NOT TIGHTEN SCREW COMPLETELY.

03

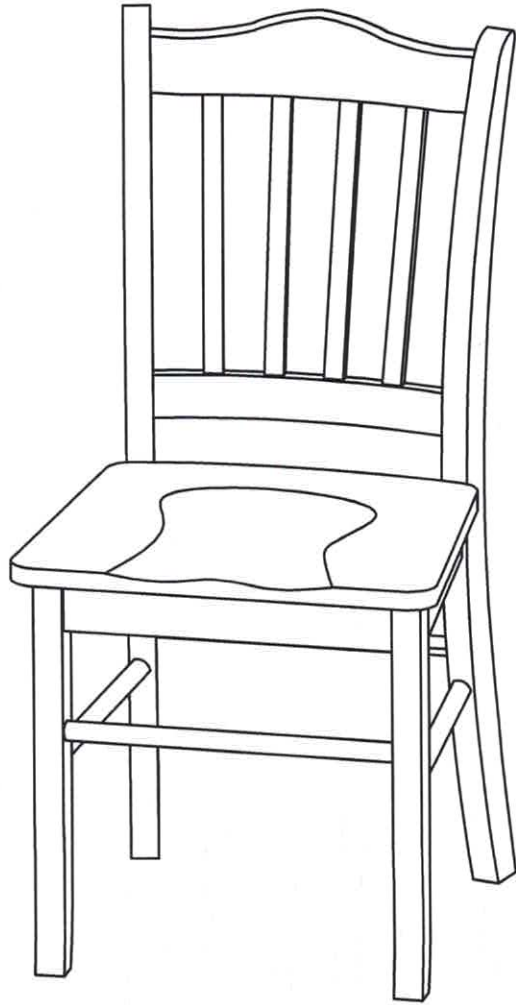


DO NOT TIGHTEN BOLT COMPLETELY.

04



TIGHTEN BOLT AND SCREW COMPLETELY.



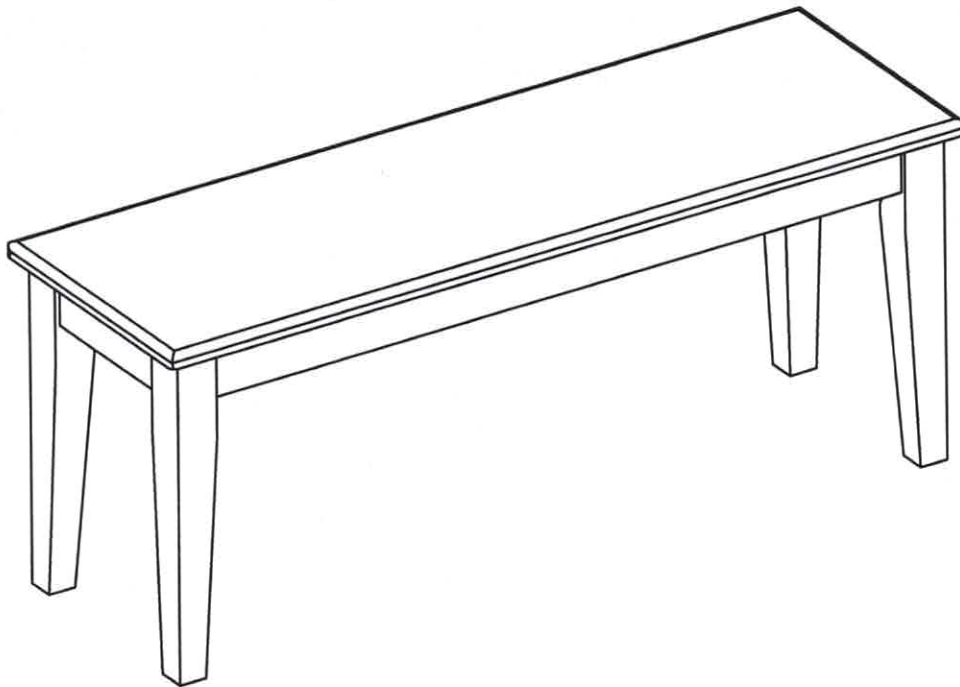
BE SURE TO CHECK ALL BOLTS ARE SECURELY TIGHTENED PRIOR USING THIS CHAIR

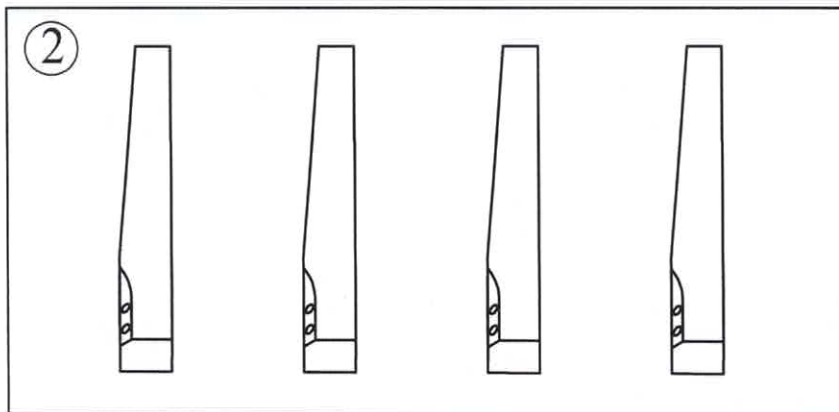
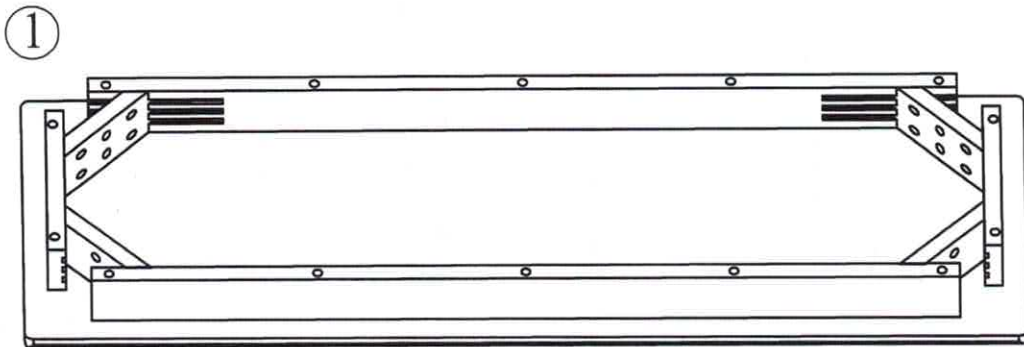
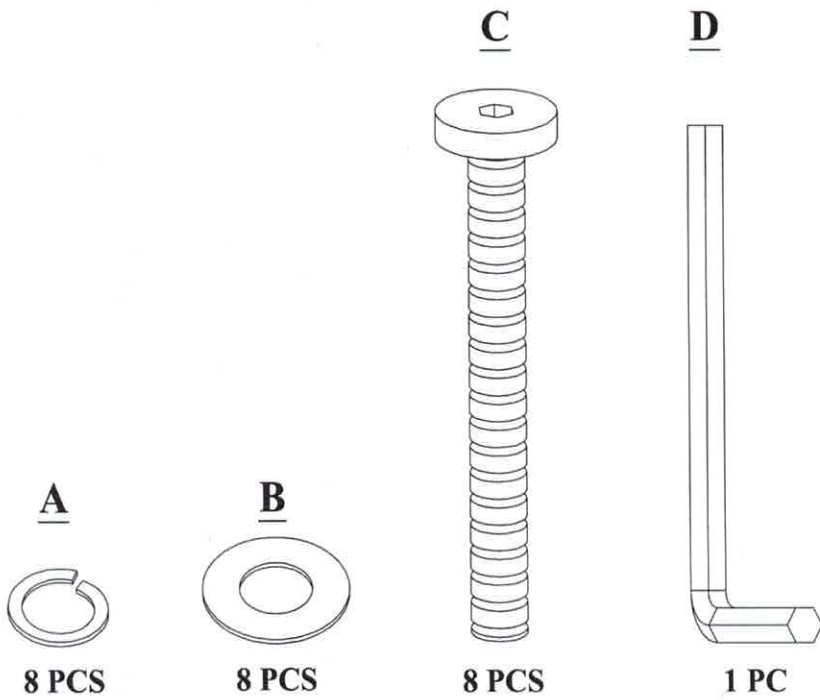
36136, 36536, 36636



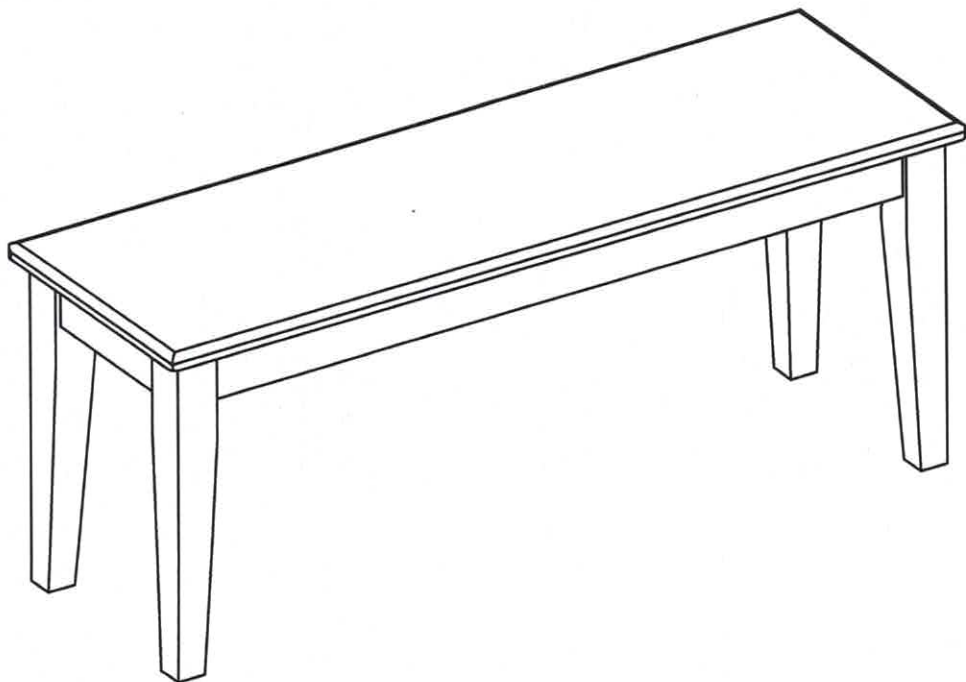
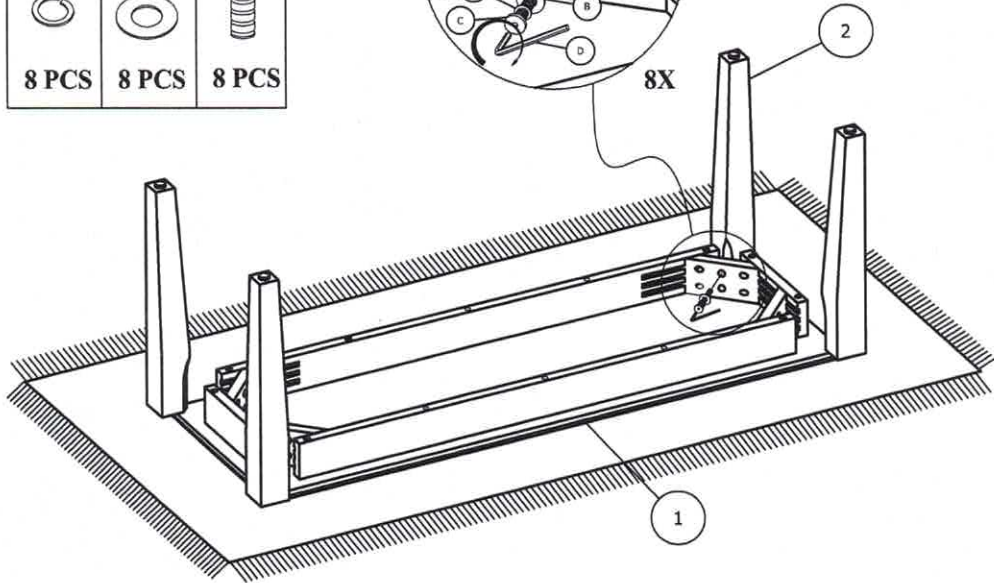
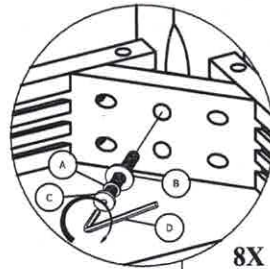
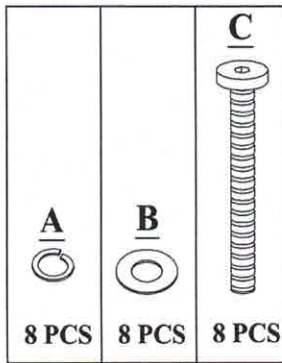
Boraam Industries

SHAKER BENCH
ASSEMBLY INSTRUCTIONS





01



BE SURE TO CHECK ALL BOLTS ARE SECURELY TIGHTENED PRIOR USING THIS BENCH