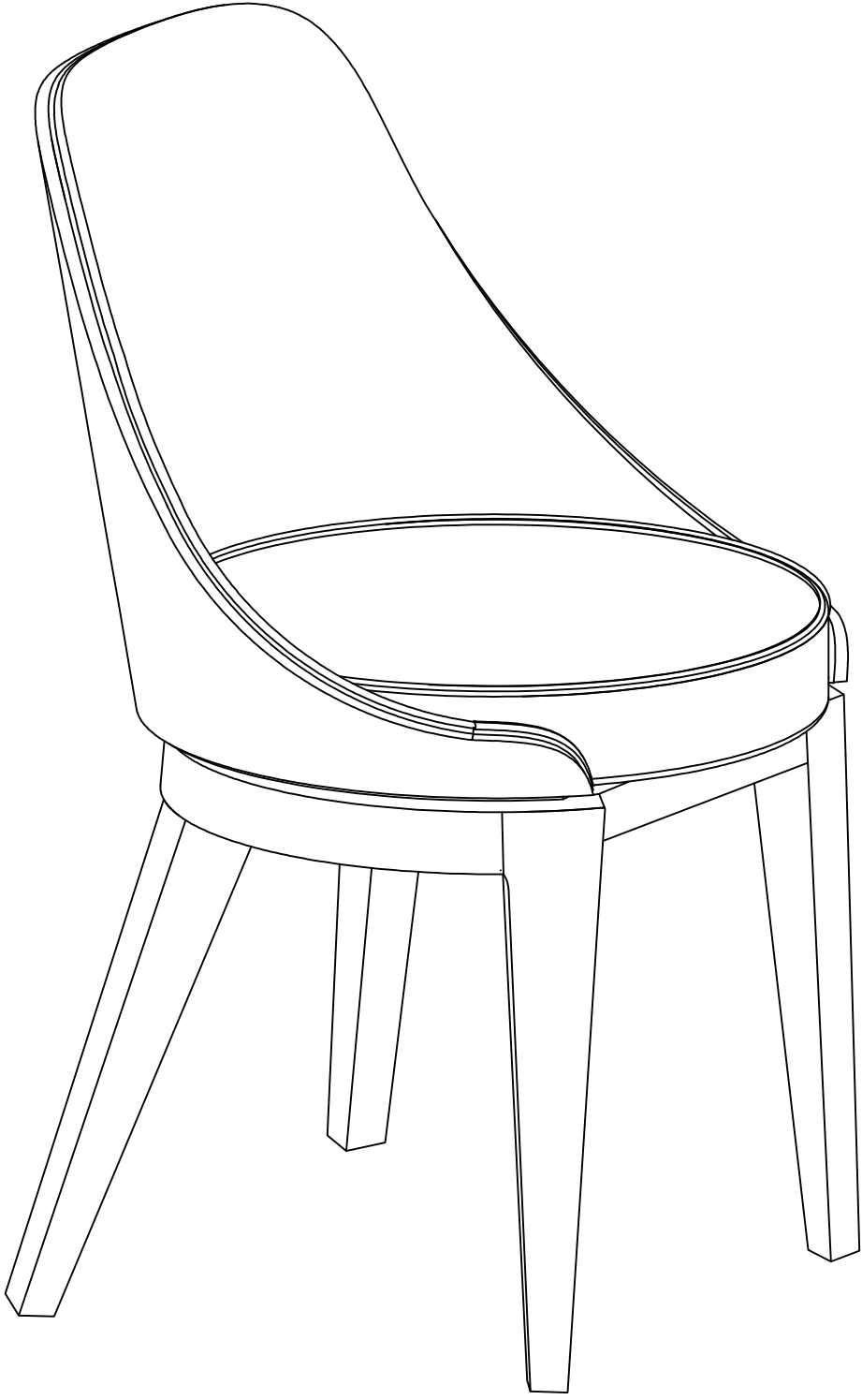




# Boraam Industries

## ORLEANS CHAIR

ASSEMBLY INSTRUCTIONS





**PLEASE READ ME FIRST**



- Have questions about assembling your item?



- Item or parts damaged?



- Missing a part?



- We're here to help!



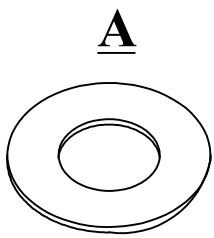
(847)949-6300 (M-F, 9am-5pm CST)



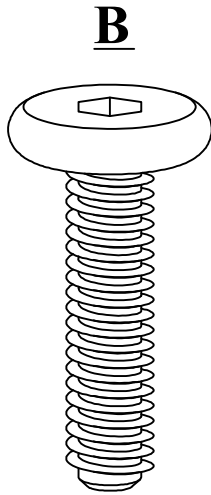
[www.boraamindustries.com](http://www.boraamindustries.com)



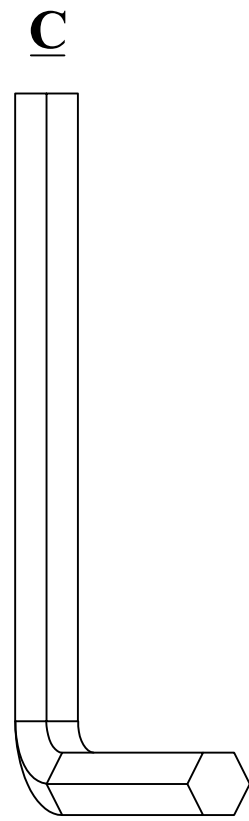
[customerservice@boraamindustries.com](mailto:customerservice@boraamindustries.com)



M6x16: 4PCS

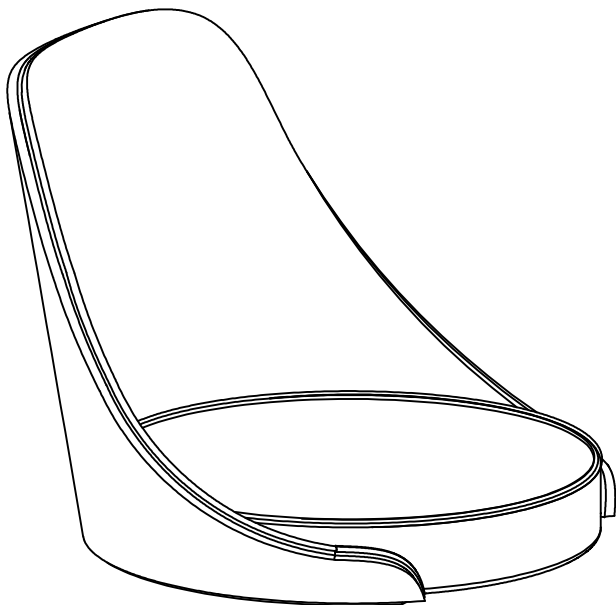


M6x25: 4PCS

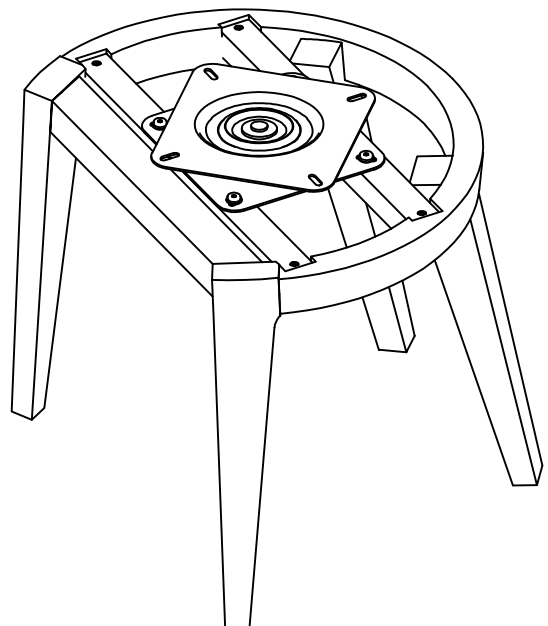


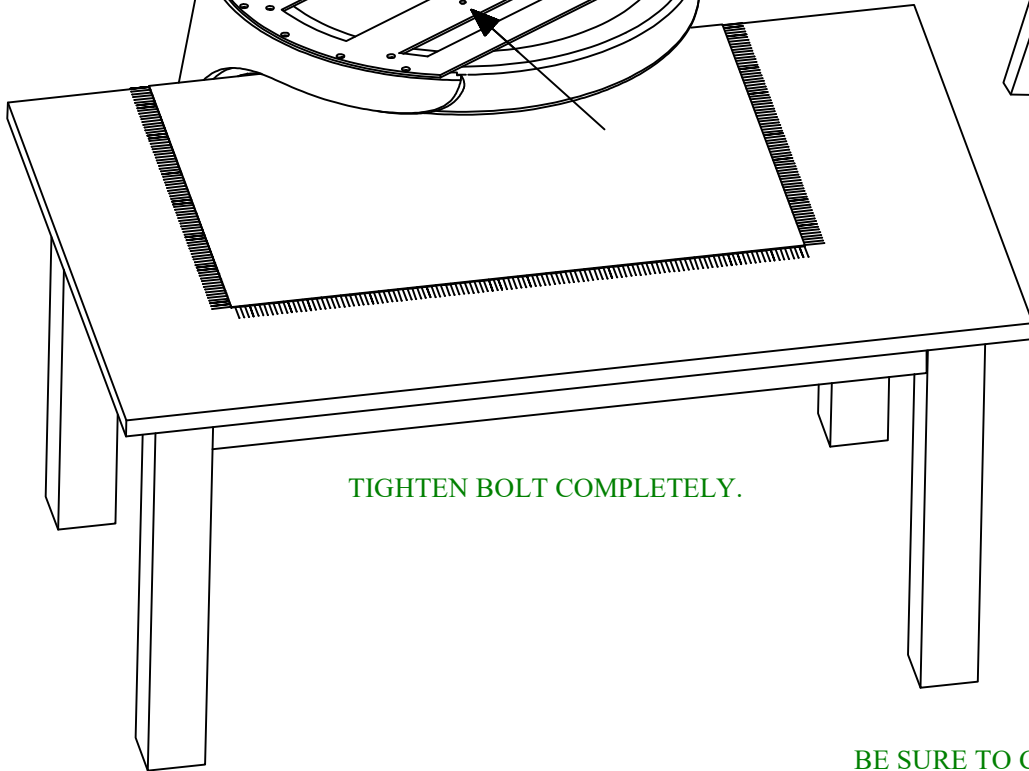
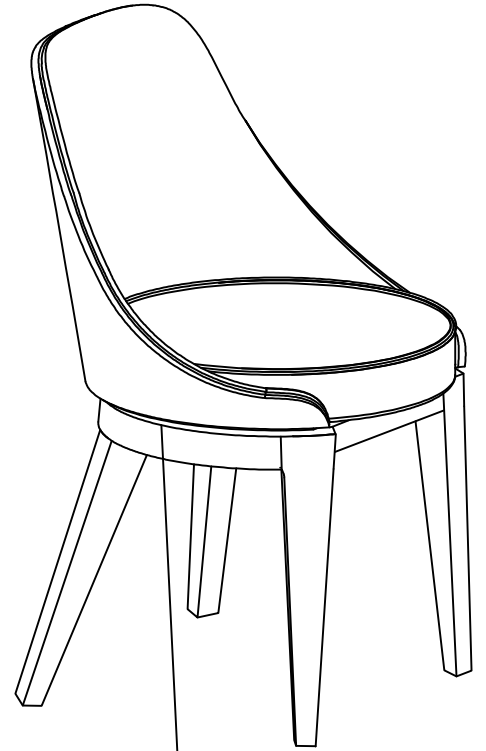
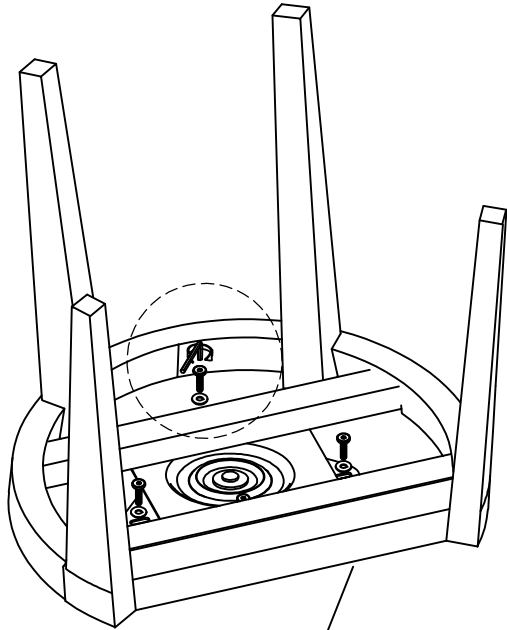
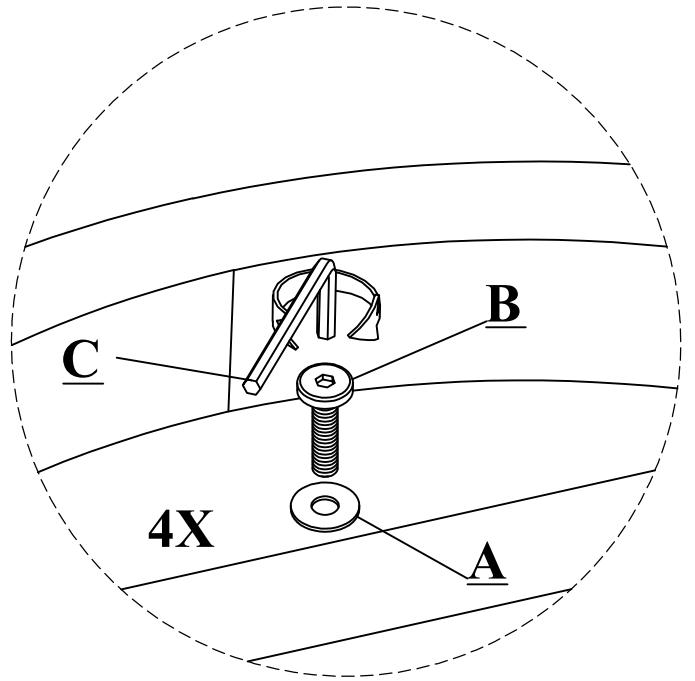
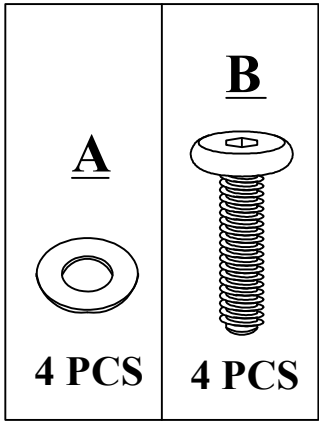
Allen Wrench:  
M4\*110 1 PC

1

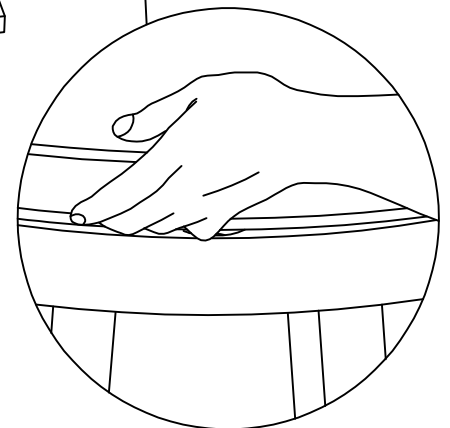


2





TIGHTEN BOLT COMPLETELY.



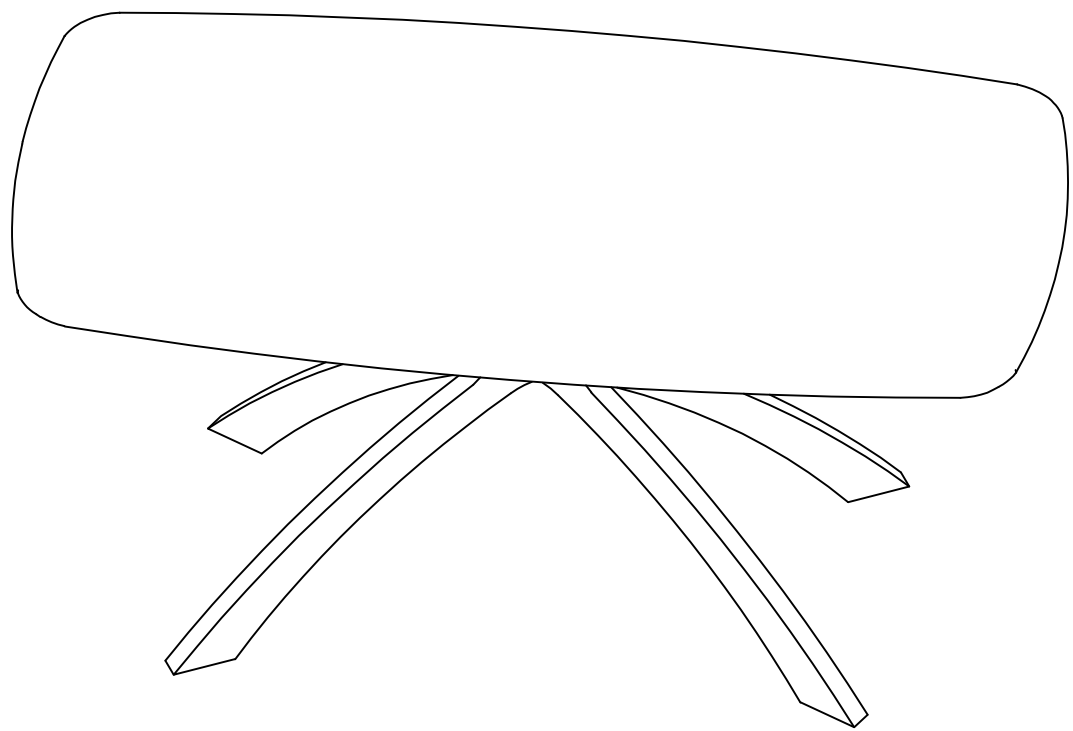
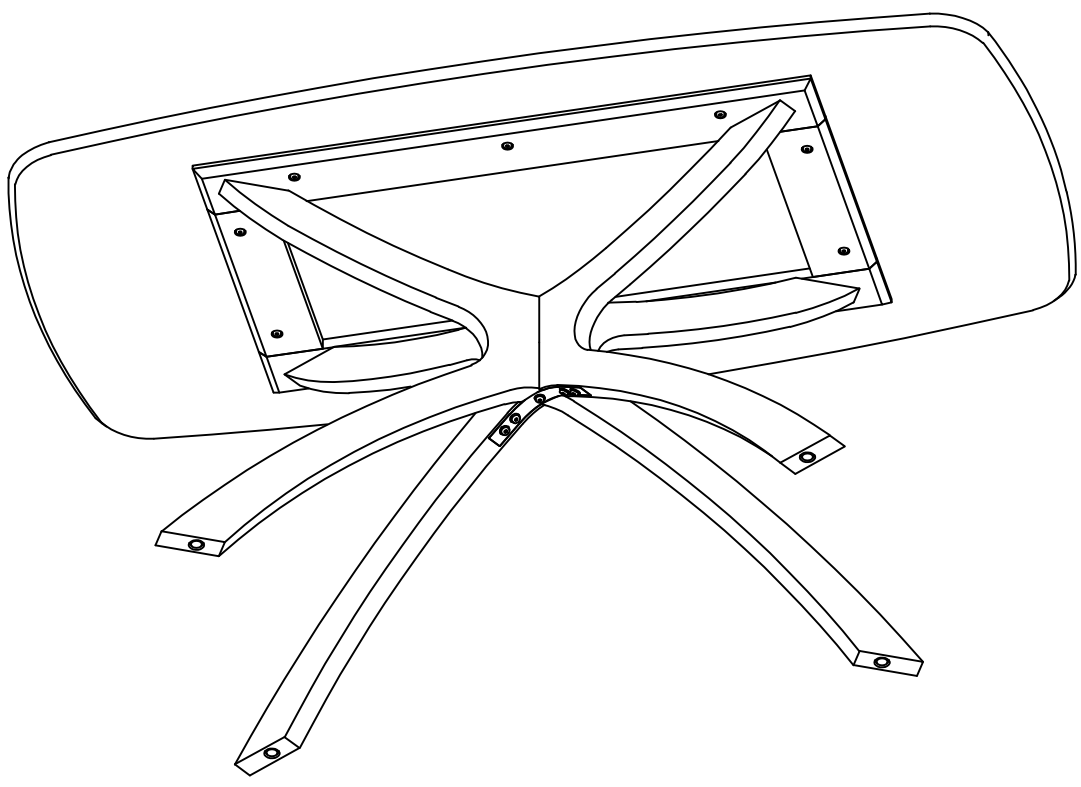
BE SURE TO CHECK ALL BOLTS ARE SECURELY TIGHTENED PRIOR USING THIS STOOL.



# Boraam Industries

## ORLEANS TABLE

ASSEMBLY INSTRUCTIONS





**PLEASE READ ME FIRST**



- Have questions about assembling your item?



- Item or parts damaged?



- Missing a part?



- We're here to help!



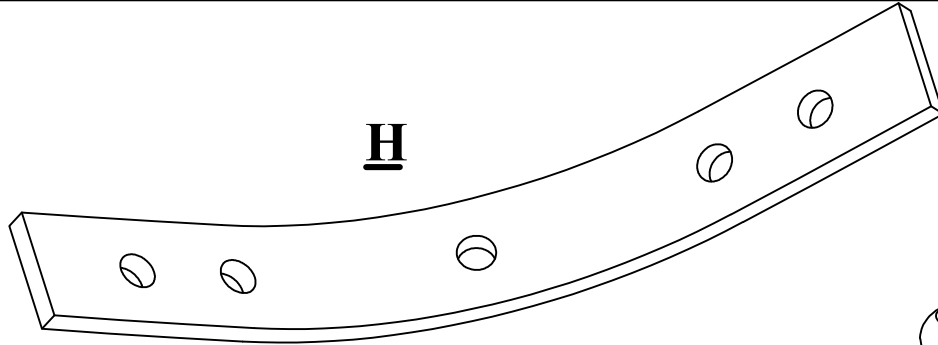
(847)949-6300 (M-F, 9am-5pm CST)



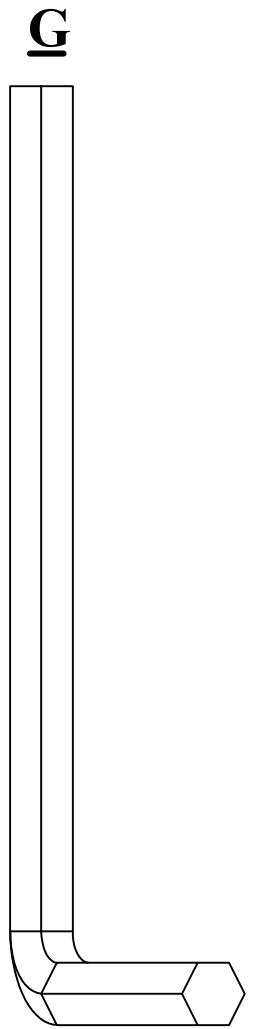
[www.boraamindustries.com](http://www.boraamindustries.com)



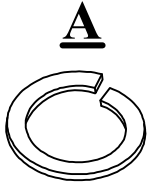
[customerservice@boraamindustries.com](mailto:customerservice@boraamindustries.com)



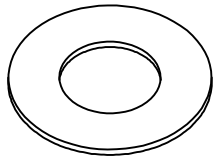
**H**



**G**

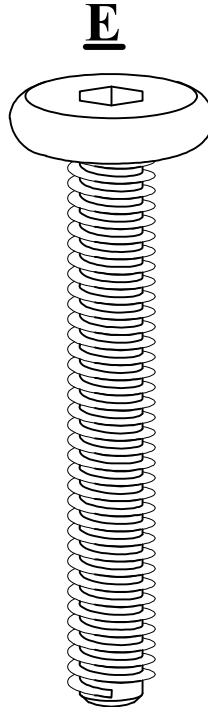


**A**

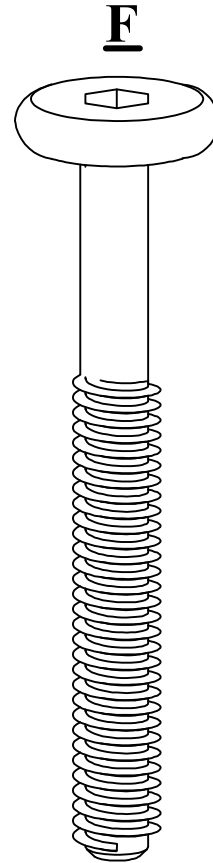


**B**

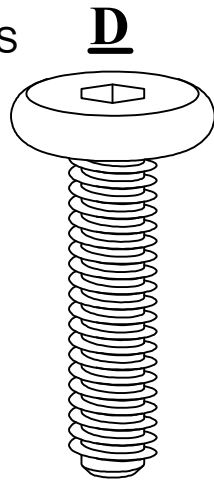
M6x10: 14PCS M6x13: 14PCS



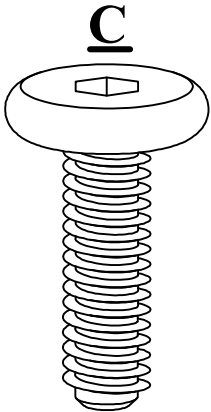
**E**



**F**



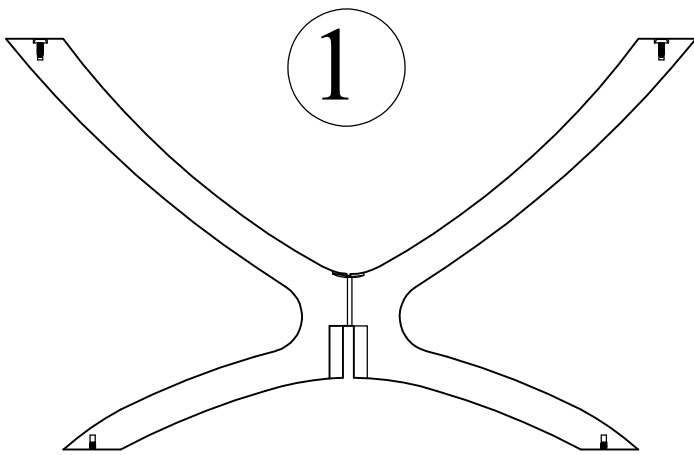
**D**



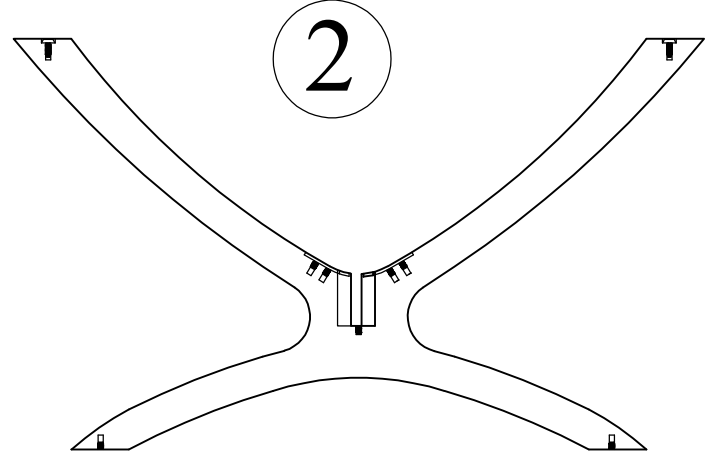
**C**

M6x25: 4PCS

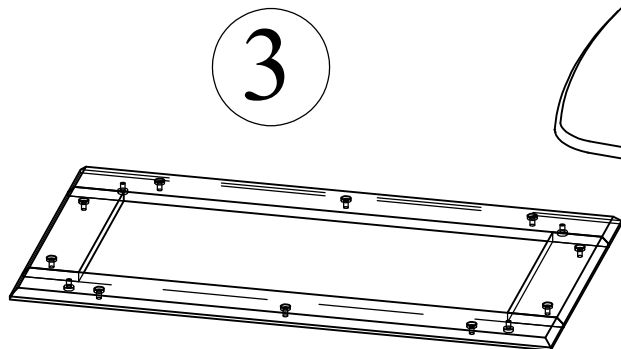
M6x30: 10PCS M6x40: 4PCS M6x110: 1PCS Allen Wrench: 1PC



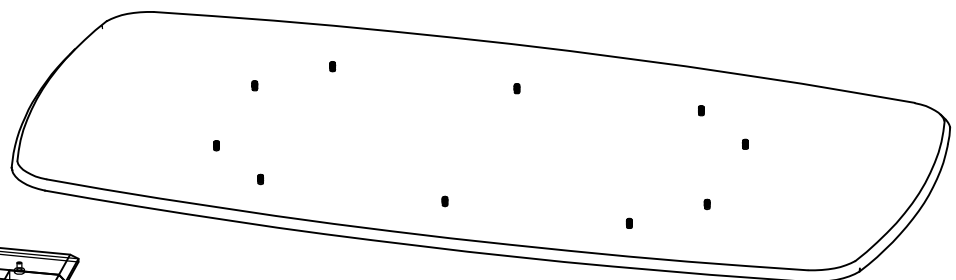
1



2

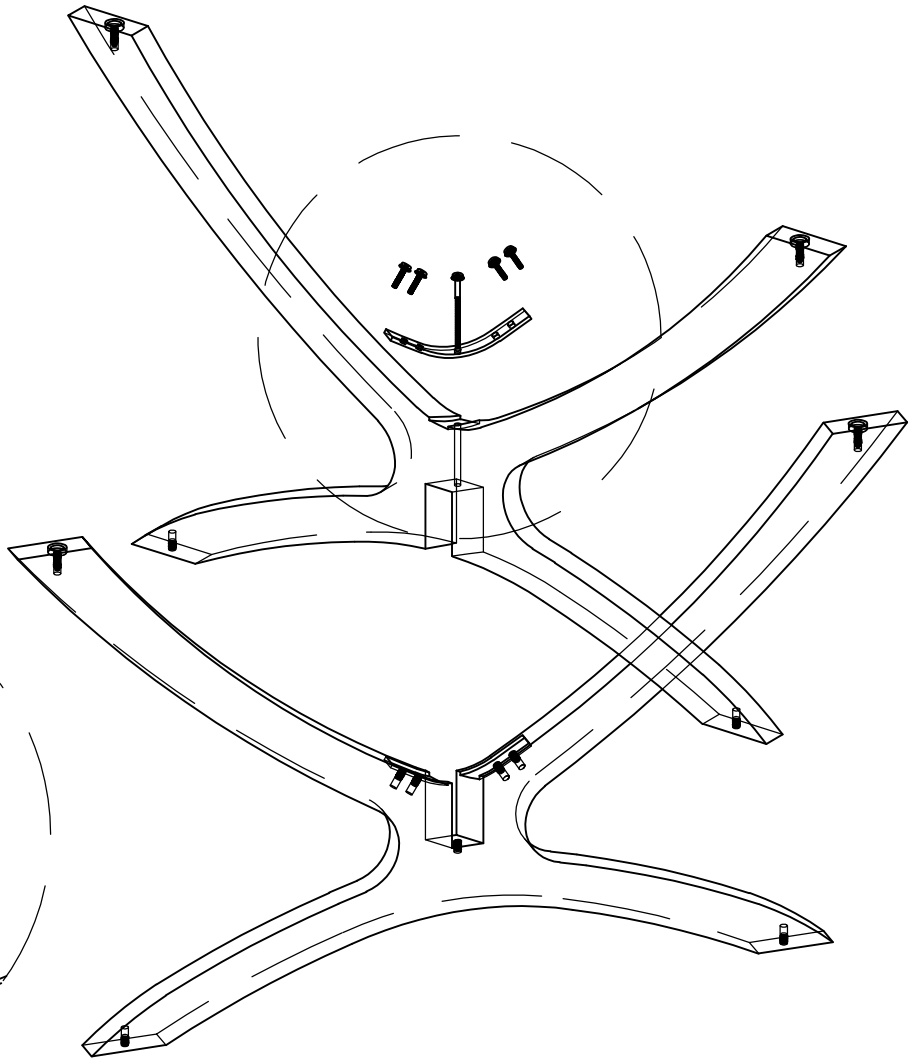
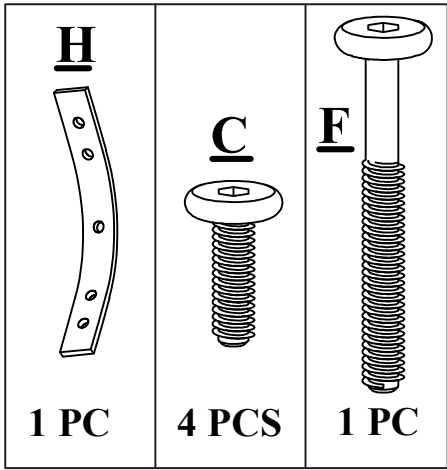


3



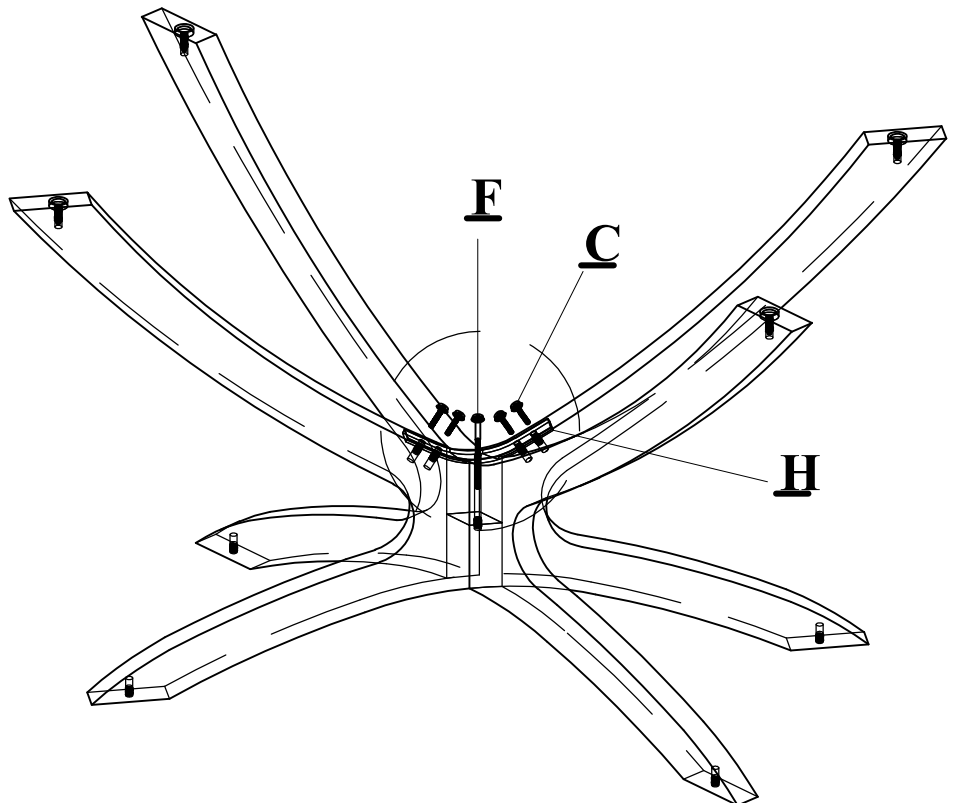
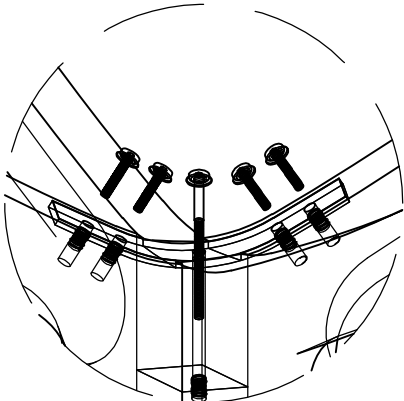
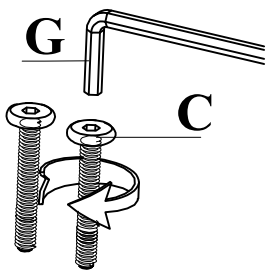
4

# 01



DO NOT TIGHTEN BOLT COMPLETELY.

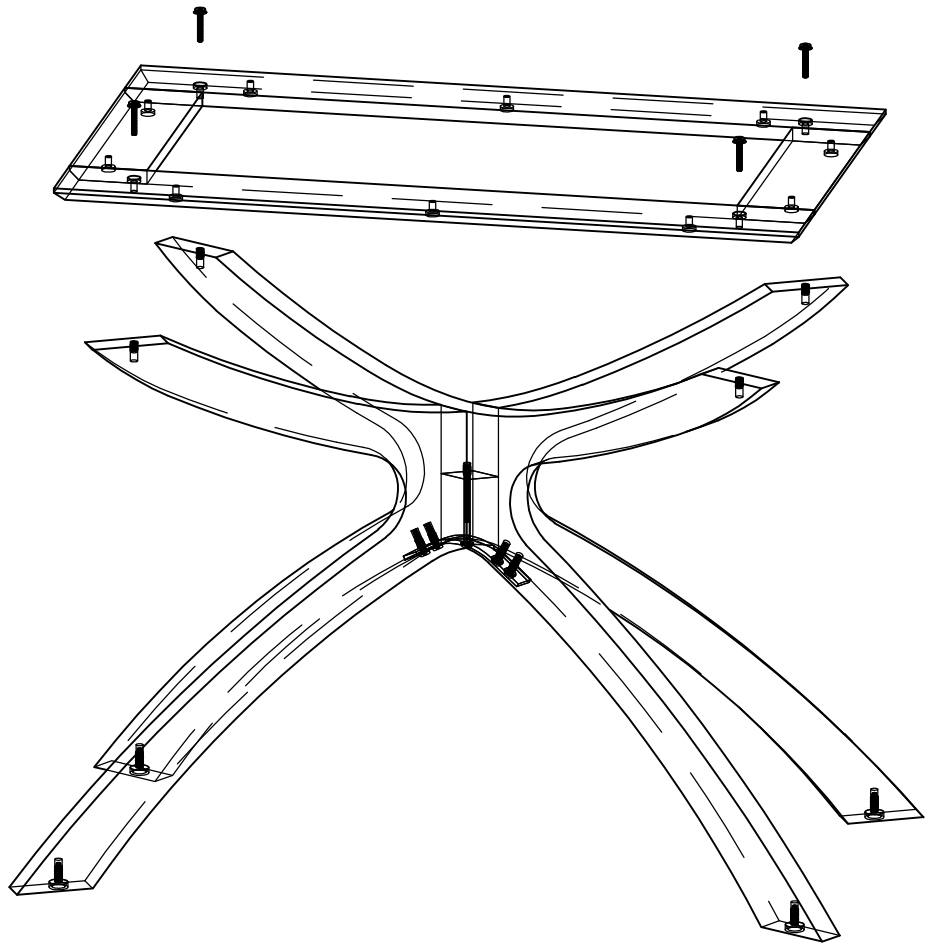
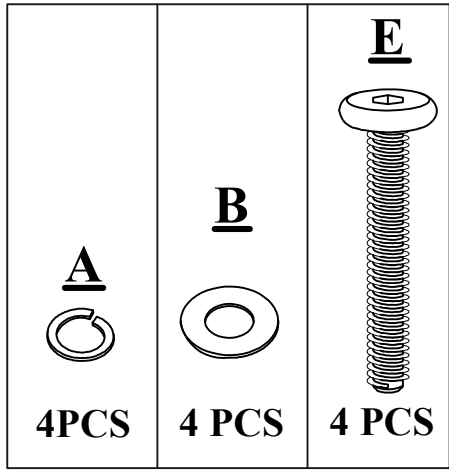
# 02



DO NOT TIGHTEN BOLT COMPLETELY.

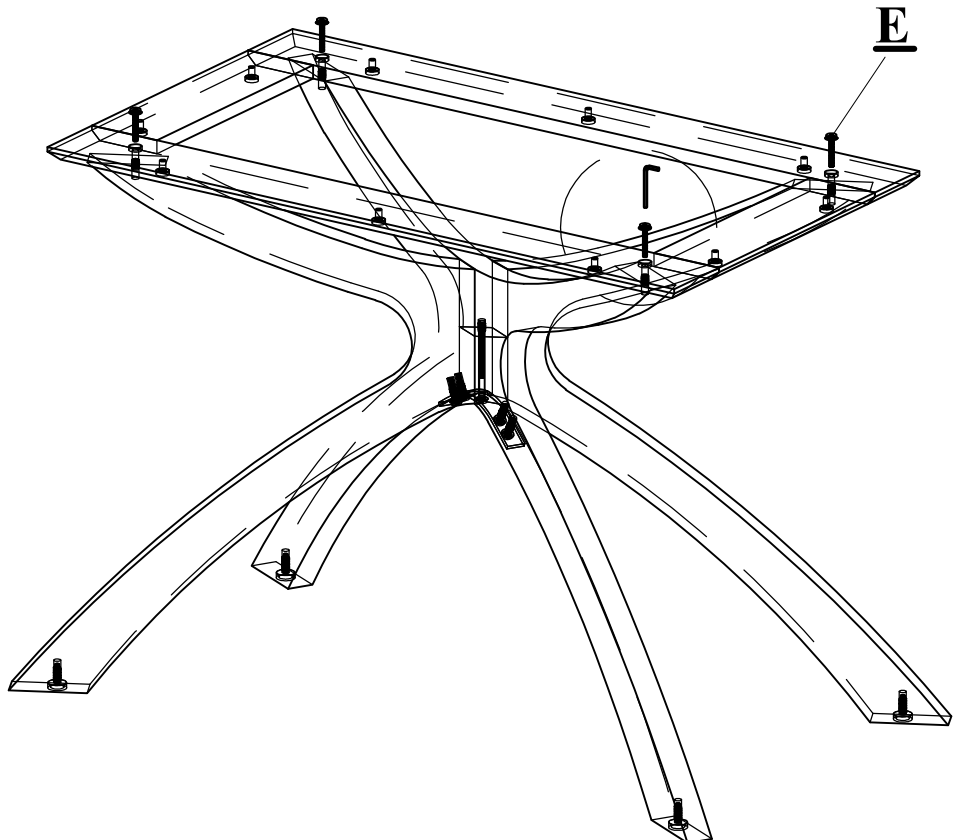
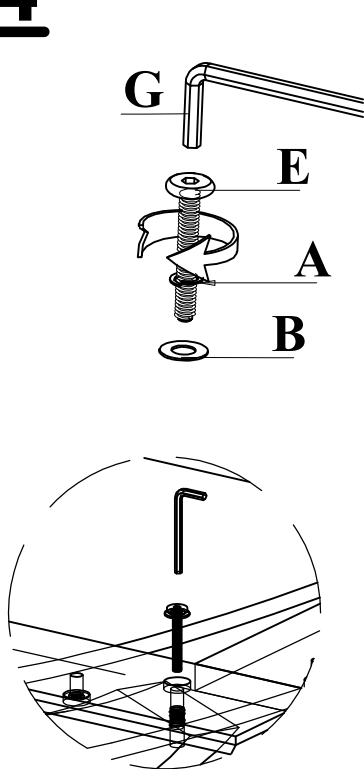


# 03



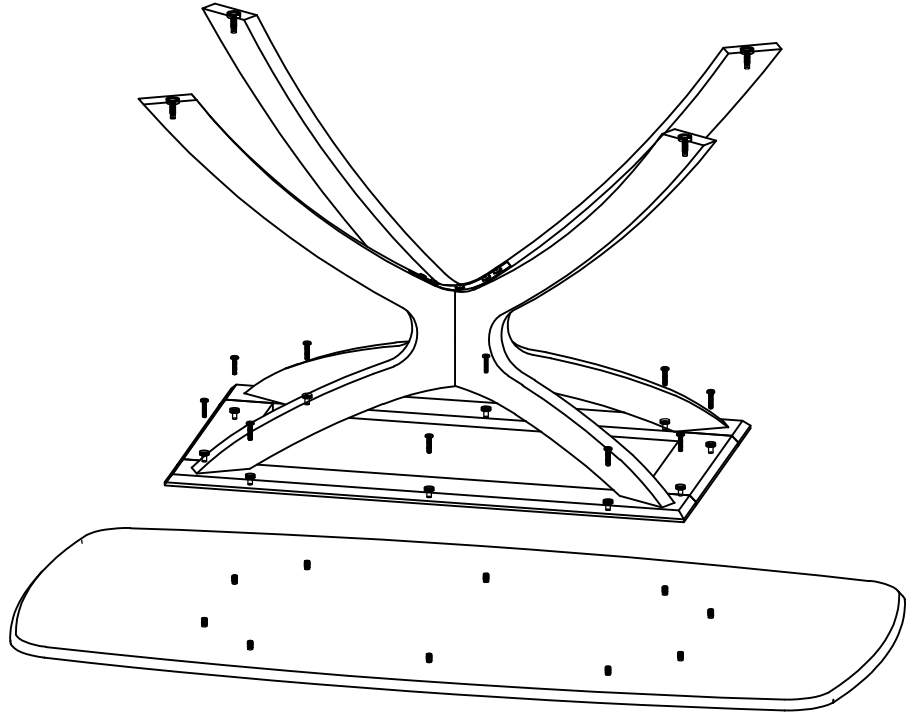
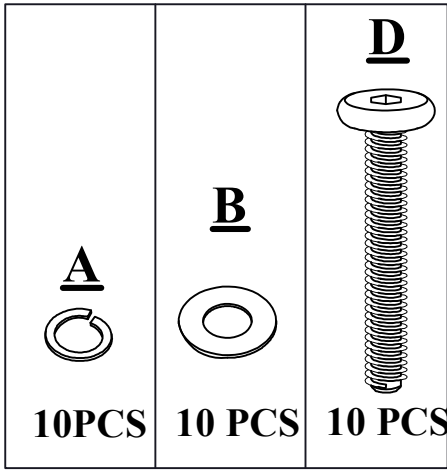
DO NOT TIGHTEN BOLT COMPLETELY.

# 04



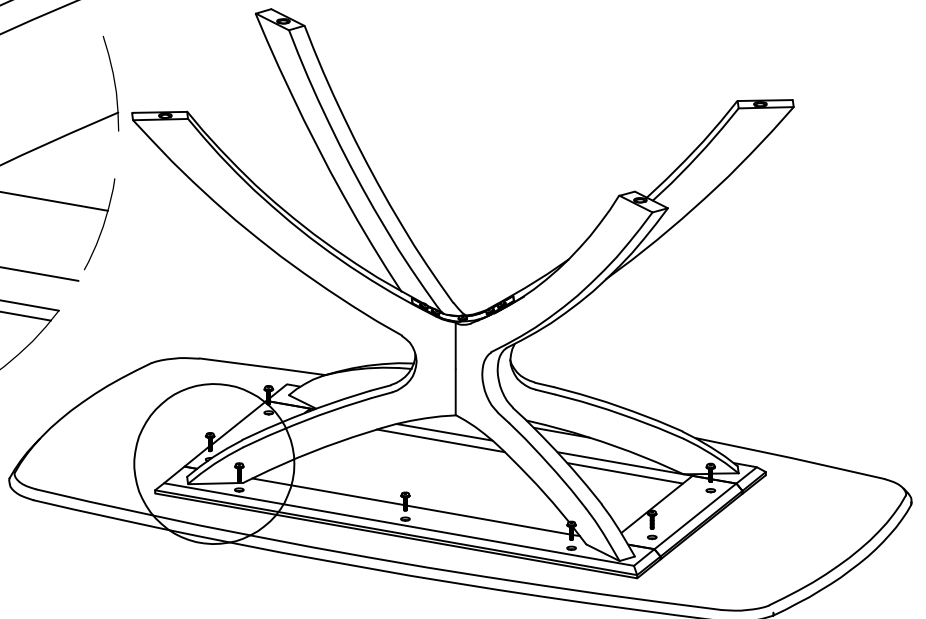
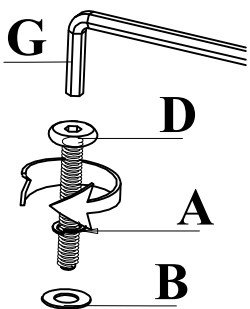
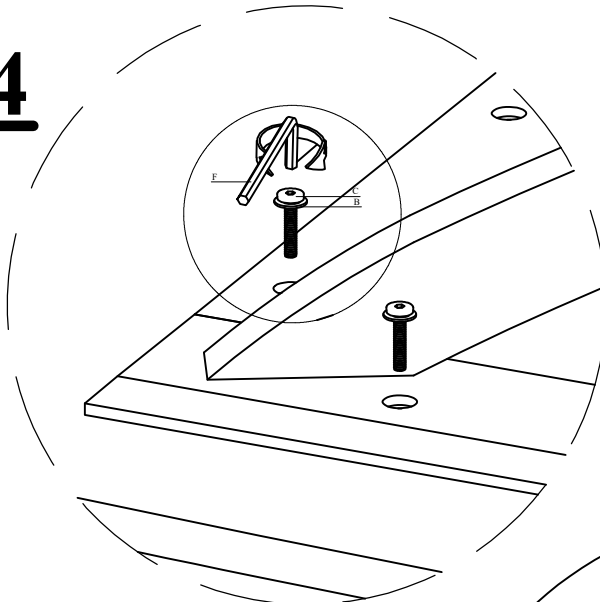
DO NOT TIGHTEN BOLT COMPLETELY.

# 05



DO NOT TIGHTEN BOLT COMPLETELY.

# 04



DO NOT TIGHTEN BOLT COMPLETELY.