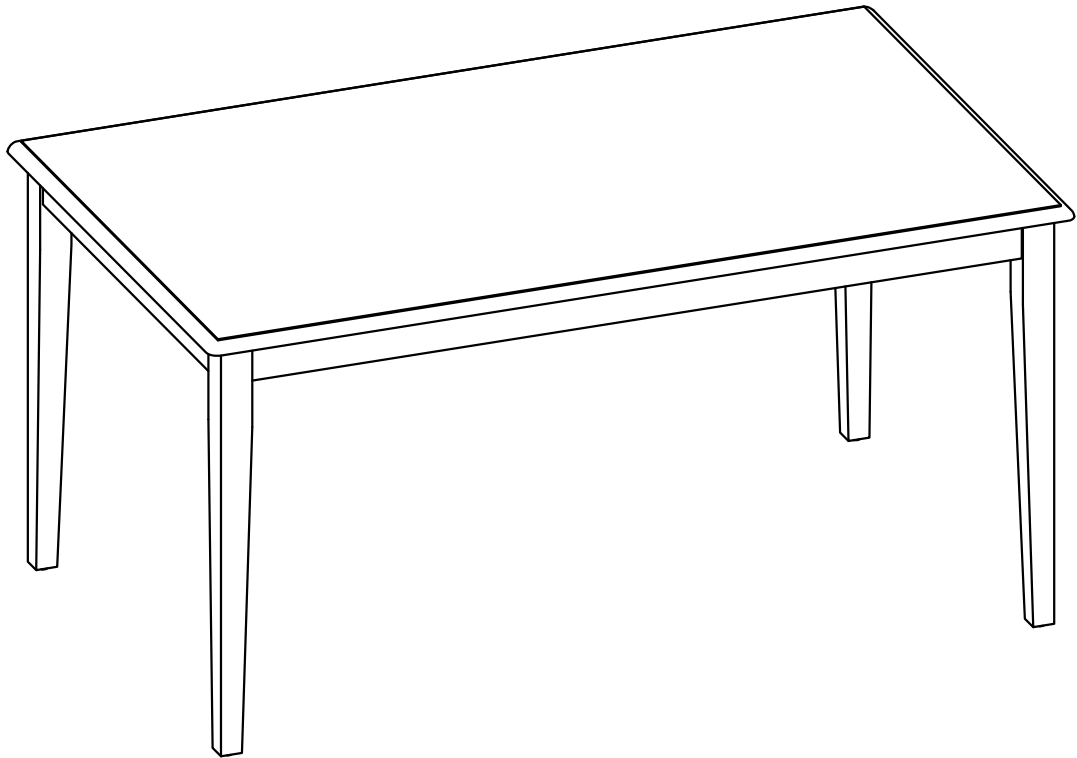




Boraam Industries

ASSEMBLY INSTRUCTIONS

SKU: 70736 | COLORADO TABLE



Have questions about assembling your item?



Items or parts damaged?



Missing a part?

We're here to help! (Monday-Friday from 9am-5pm CST)



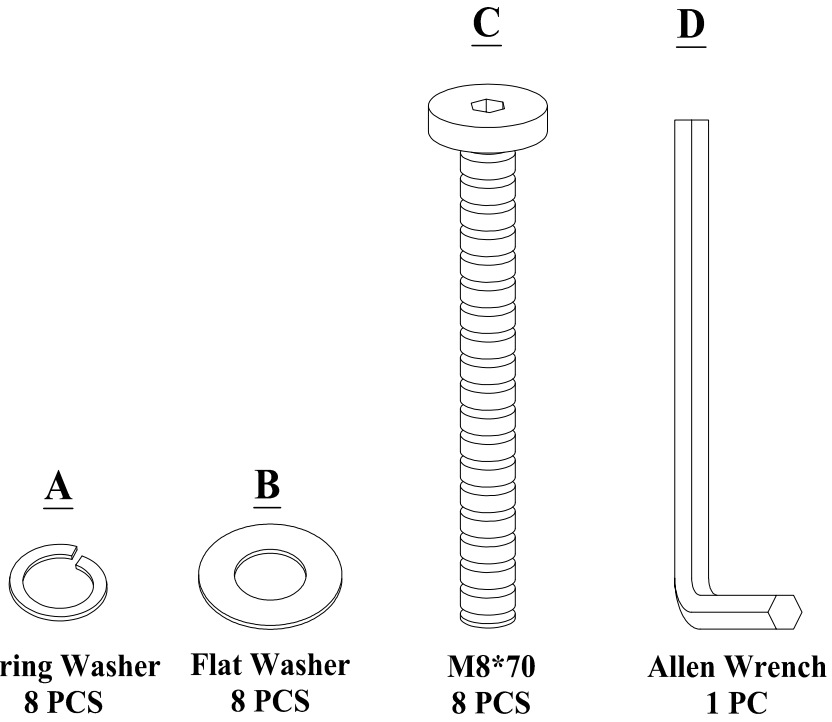
847-949-6300
877-267-2261



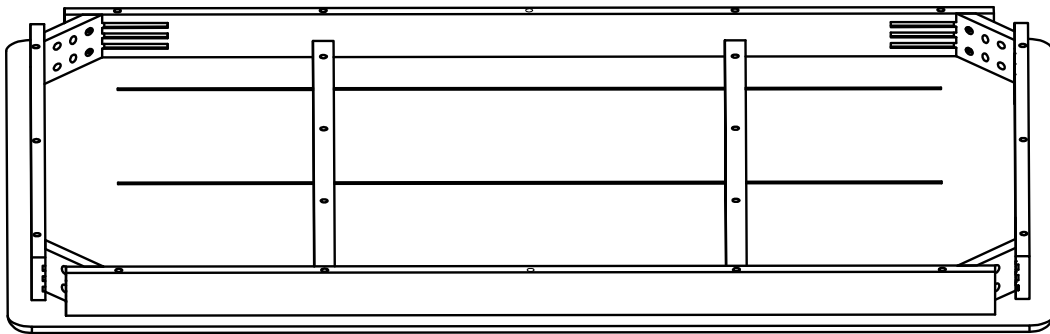
customerservice@
boraamindustries.com



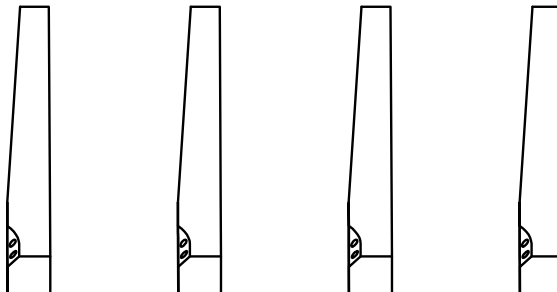
www.boraamindustries.com



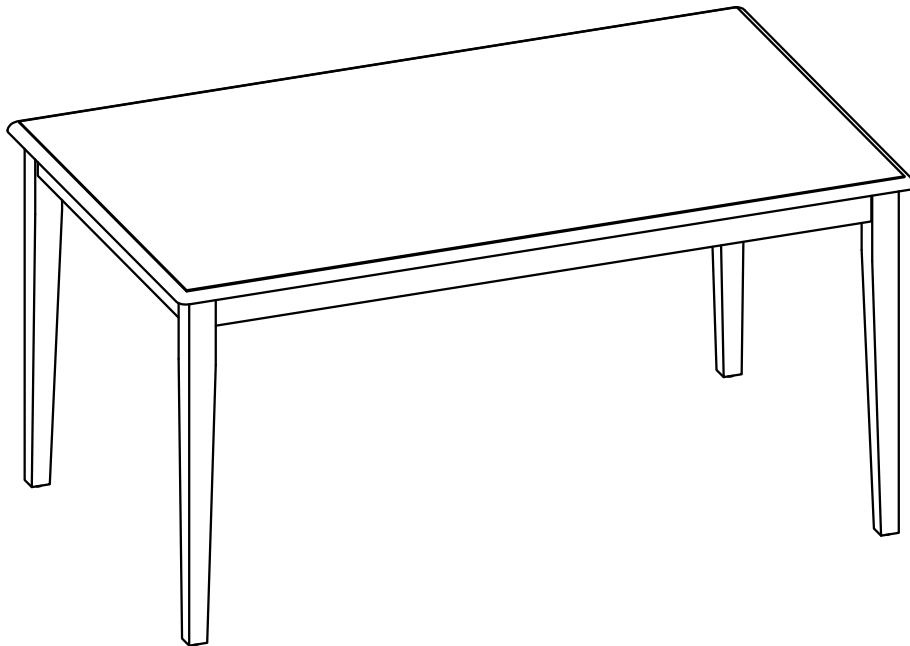
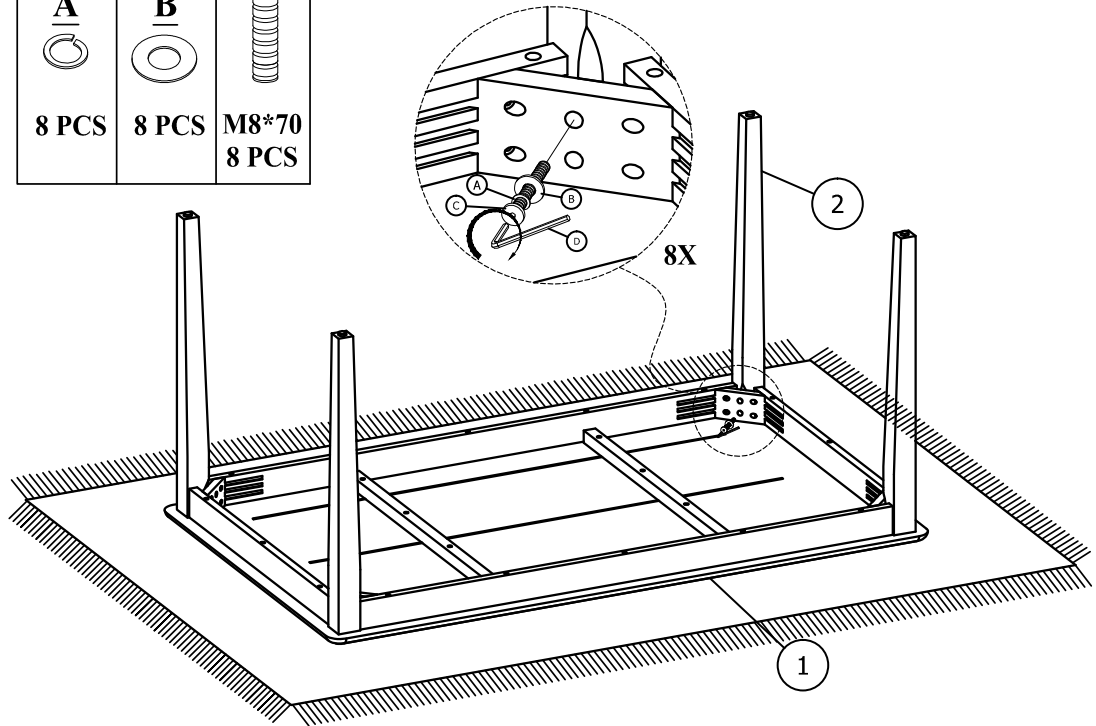
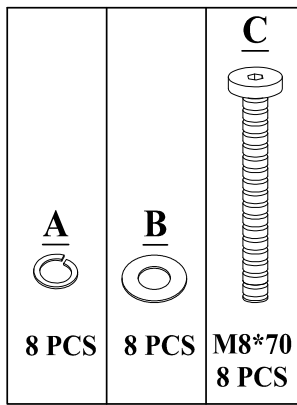
①



②



01



BE SURE TO CHECK ALL BOLTS ARE SECURELY TIGHTENED PRIOR USING THIS TABLE

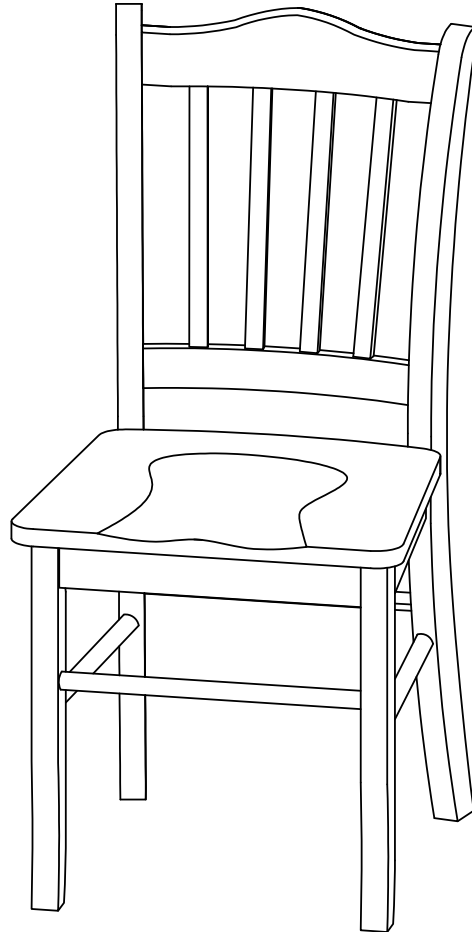
847-949-6300 | 877-267-2261 | customerservice@boraamindustries.com



Boraam Industries

ASSEMBLY INSTRUCTIONS

SKU: 30736 | COLORADO DINING CHAIR



Have questions about assembling your item?



Items or parts damaged?



Missing a part?

We're here to help! (Monday-Friday from 9am-5pm CST)



847-949-6300
877-267-2261

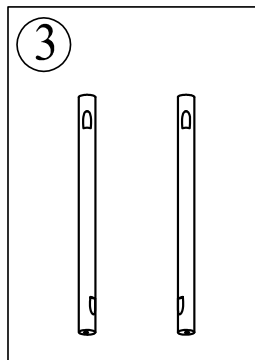
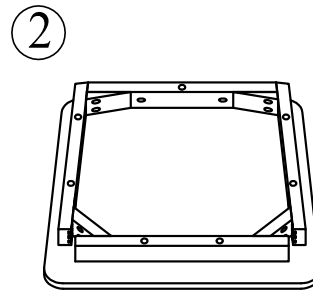
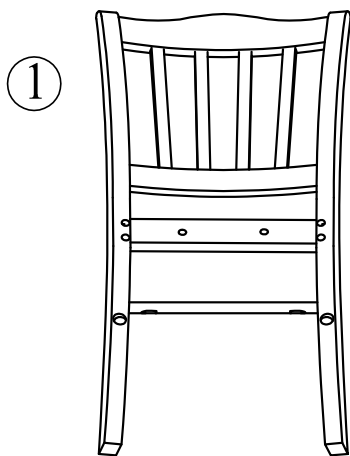
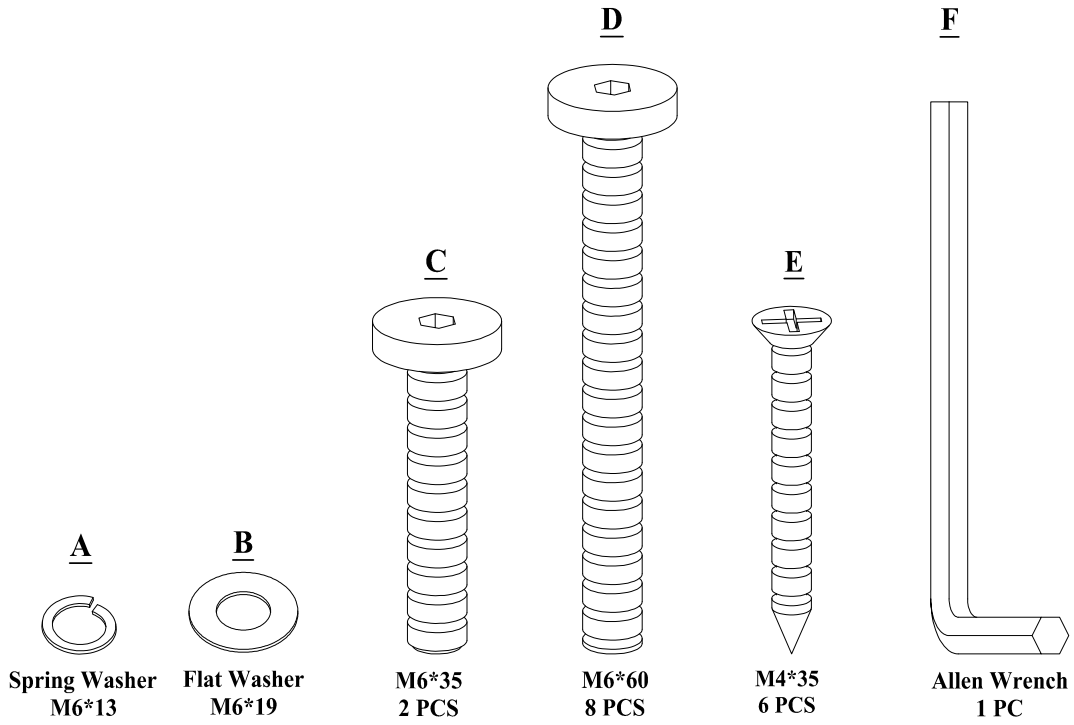


customerservice@
boraamindustries.com



www.boraamindustries.com

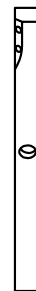
Phillips
Screwdriver
(Not provided)



④





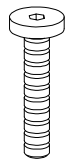
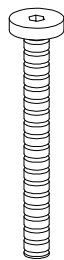
⑤

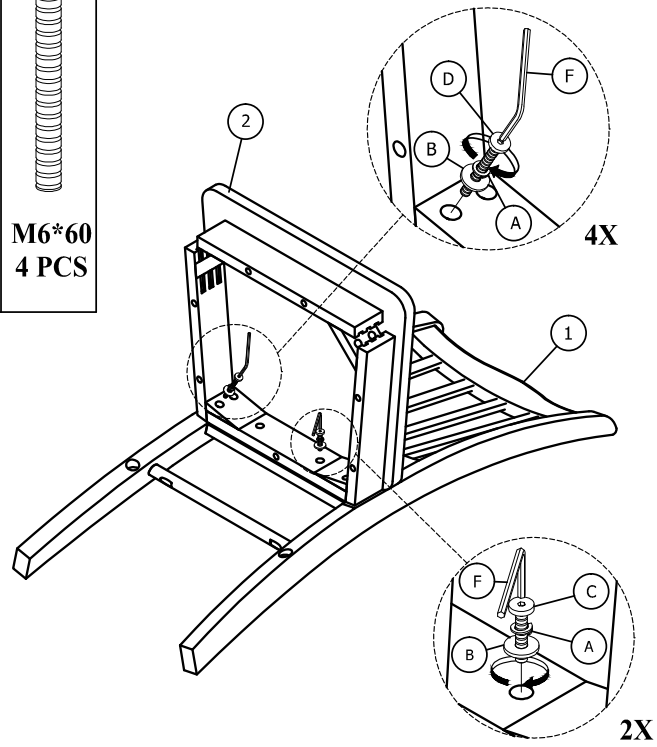


⑥

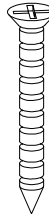


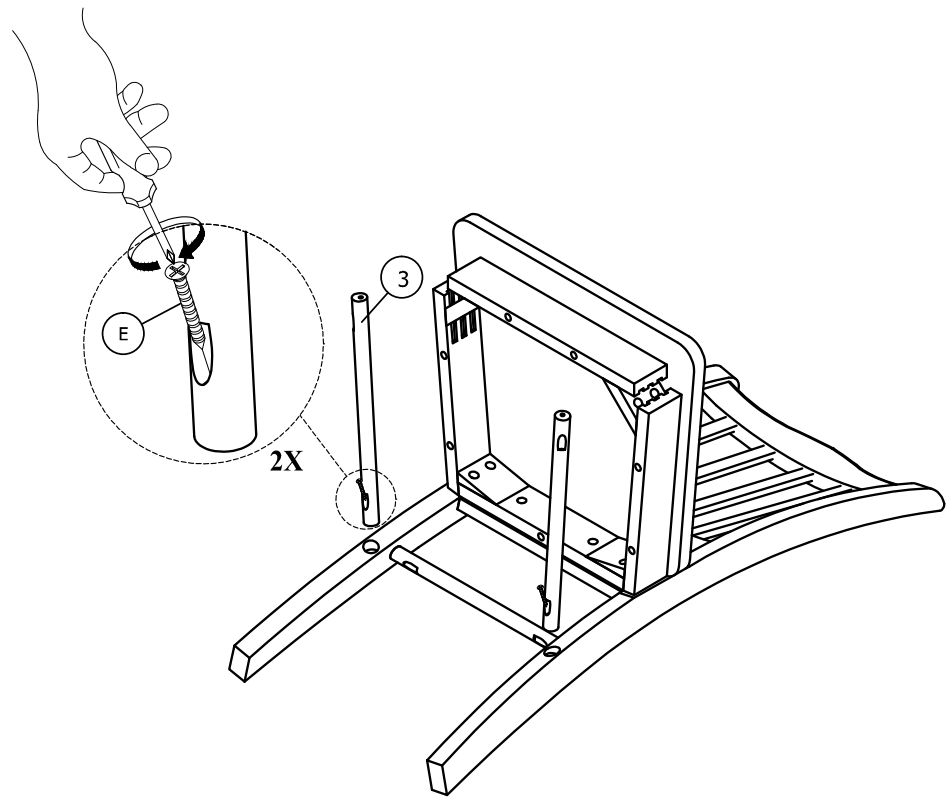
01

A  6 PCS	B  6 PCS	C  M6*35 2 PCS	D  M6*60 4 PCS
--	--	---	---



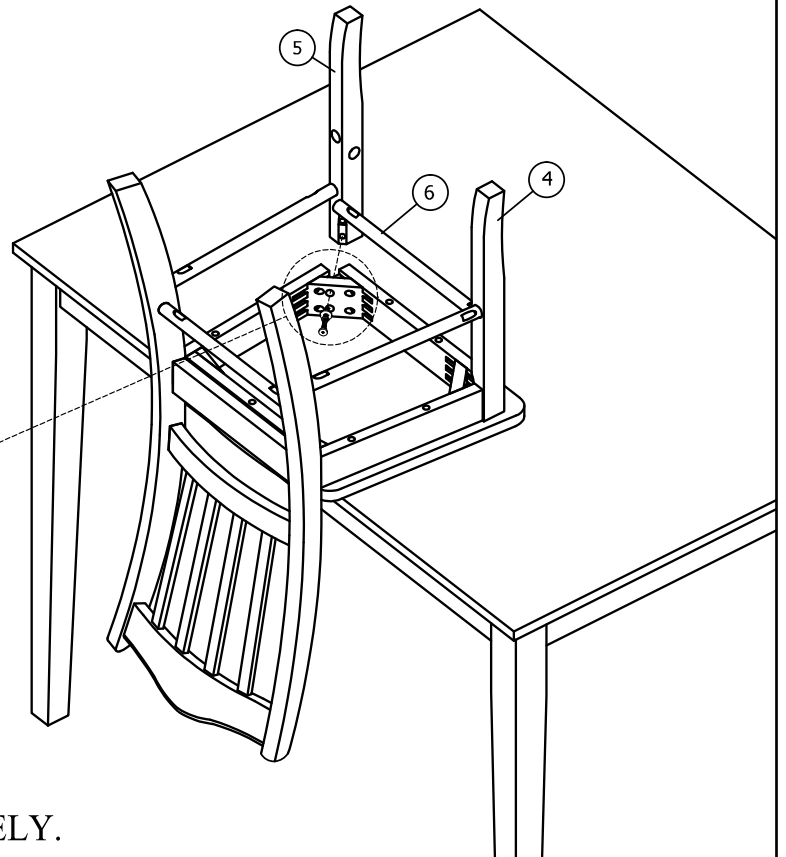
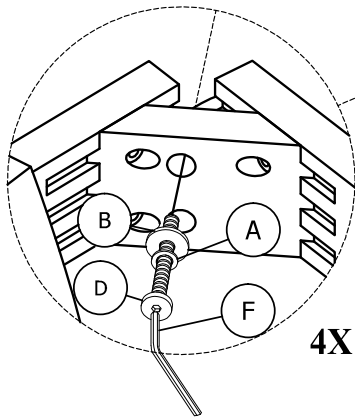
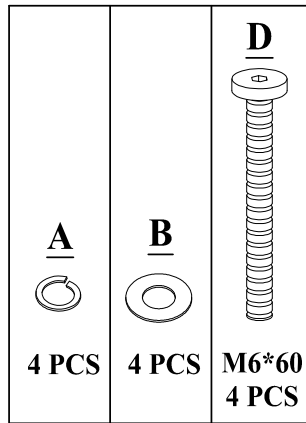
02

E  M4*35 2 PCS



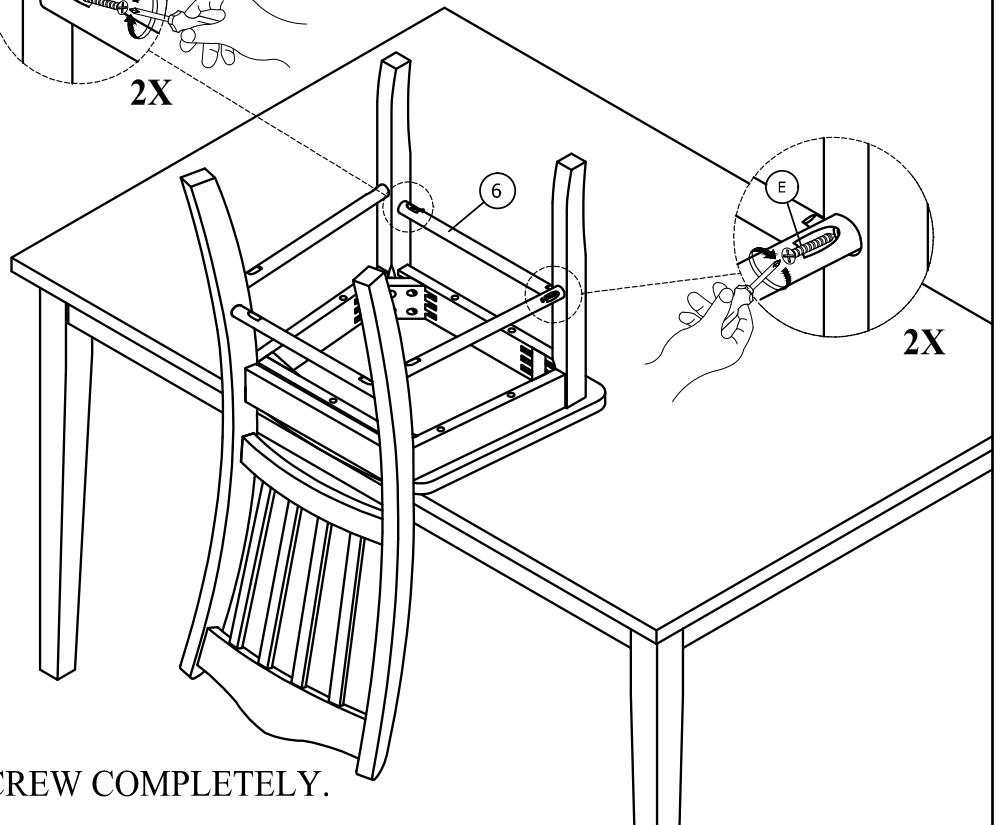
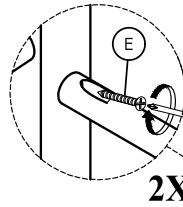
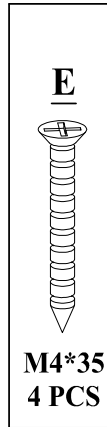
DO NOT TIGHTEN SCREW COMPLETELY.

03

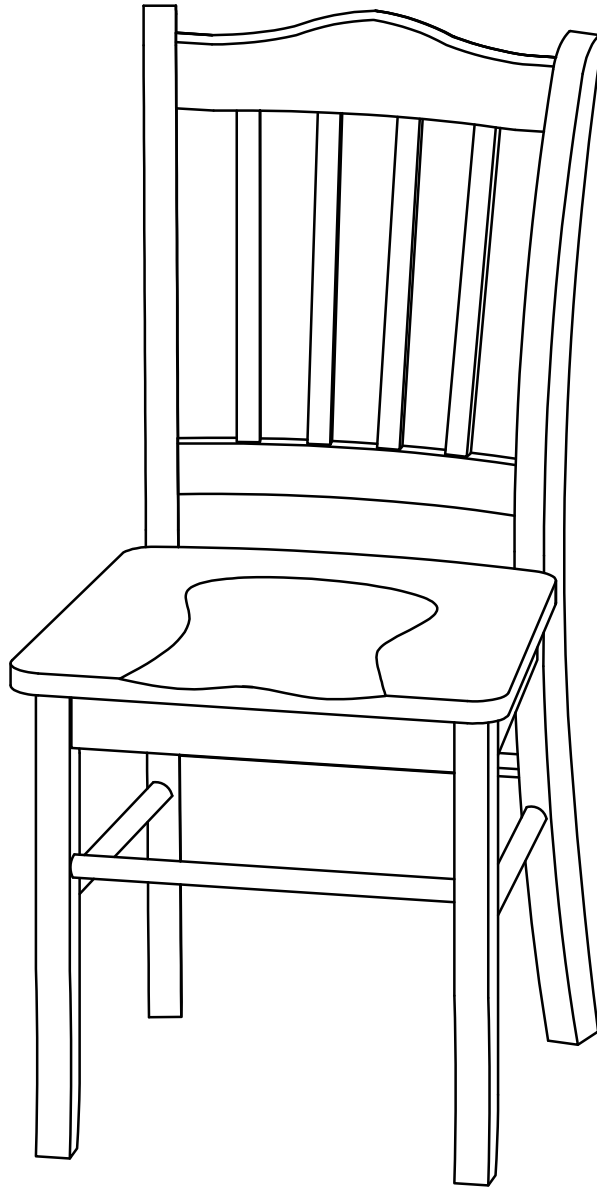


DO NOT TIGHTEN BOLT COMPLETELY.

04



TIGHTEN BOLT AND SCREW COMPLETELY.



BE SURE TO CHECK ALL BOLTS ARE SECURELY TIGHTENED PRIOR USING THIS CHAIR

847-949-6300 | 877-267-2261 | customerservice@boraamindustries.com