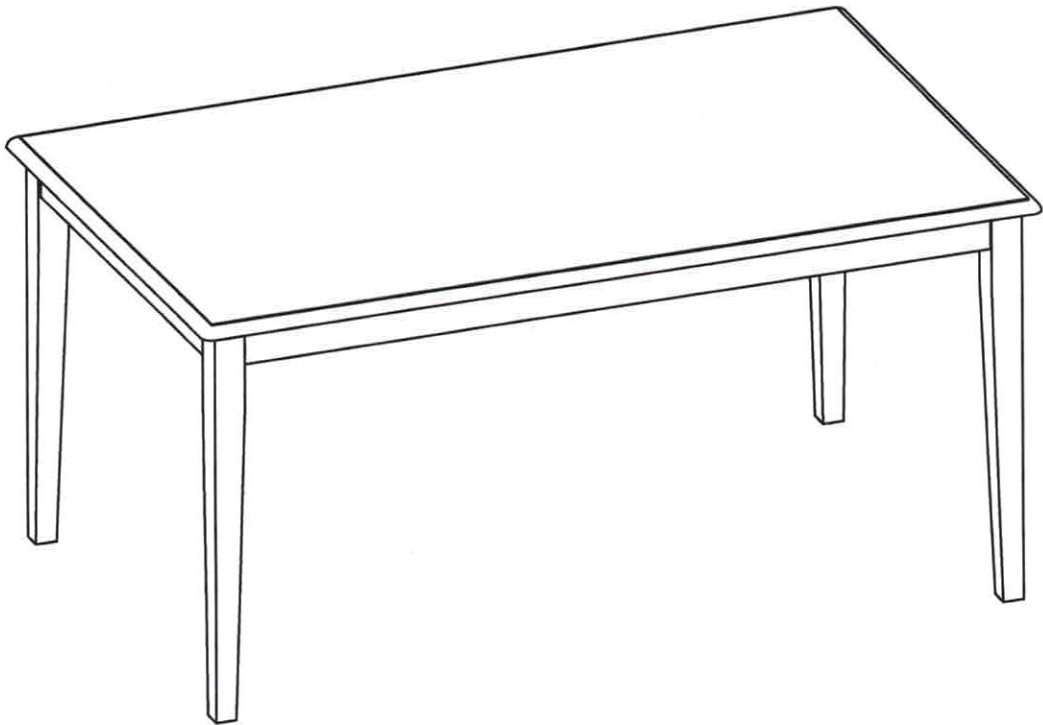


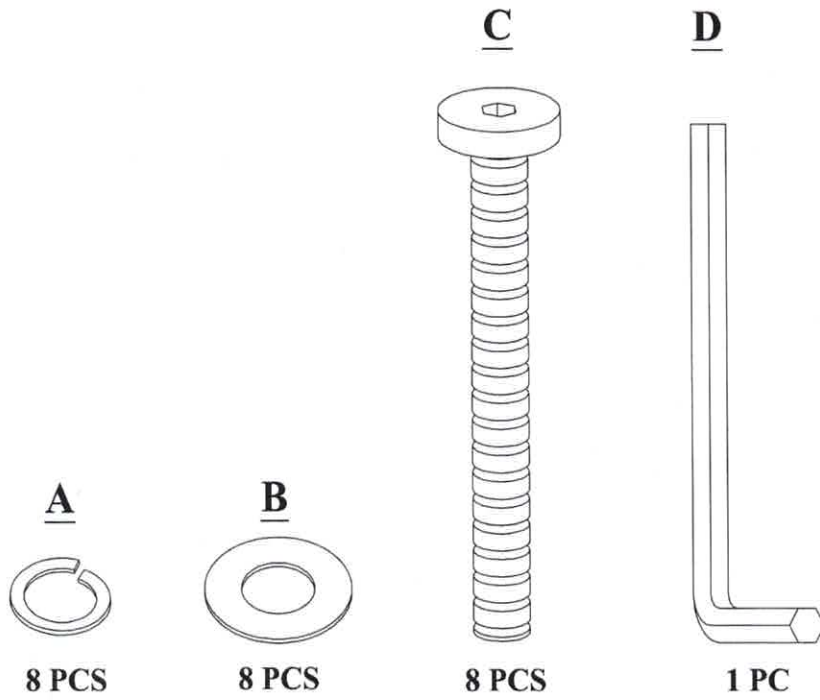
70136, 70536, 70636



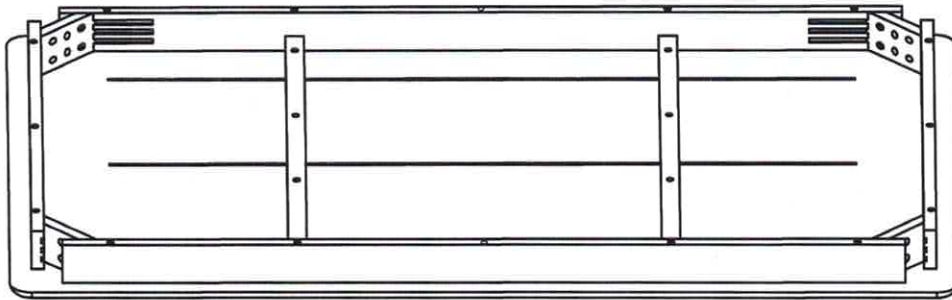
Boraam Industries

SHAKER TABLE
ASSEMBLY INSTRUCTIONS

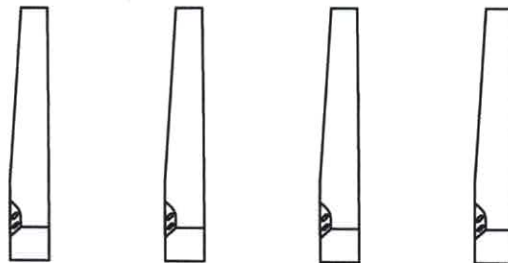




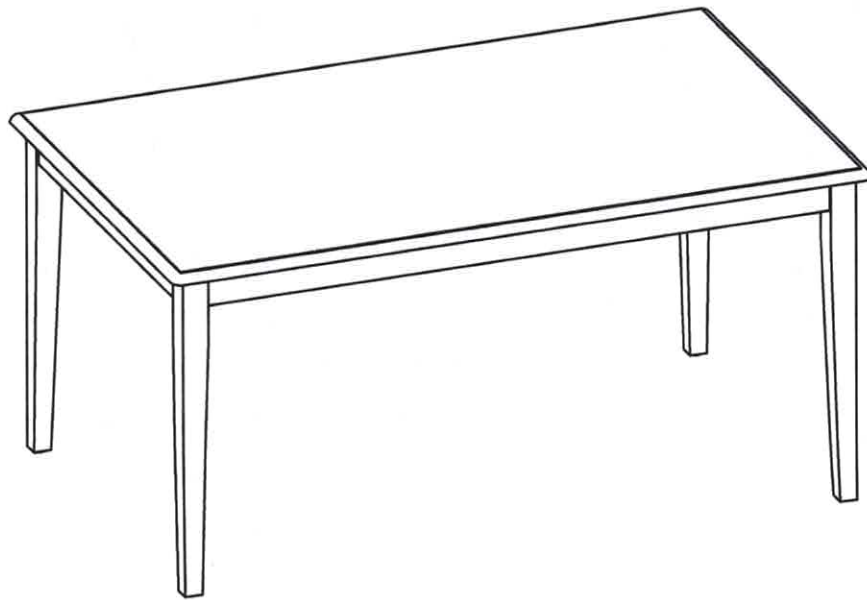
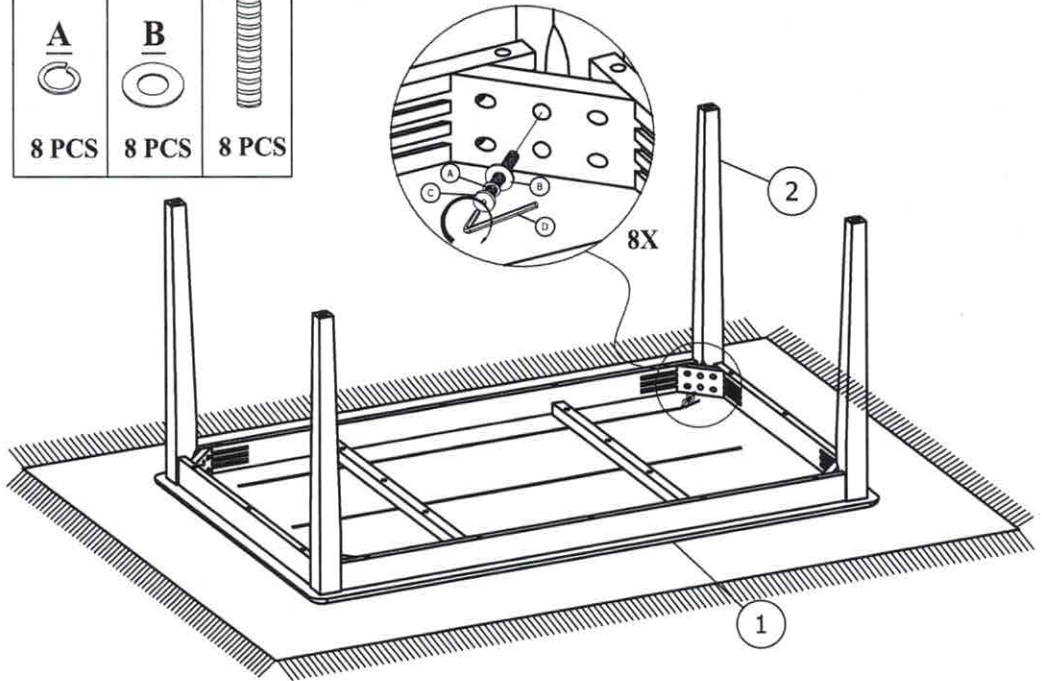
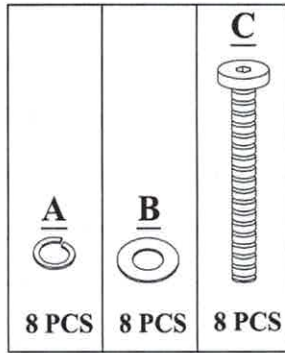
①



②



01



BE SURE TO CHECK ALL BOLTS ARE SECURELY TIGHTENED PRIOR USING THIS TABLE

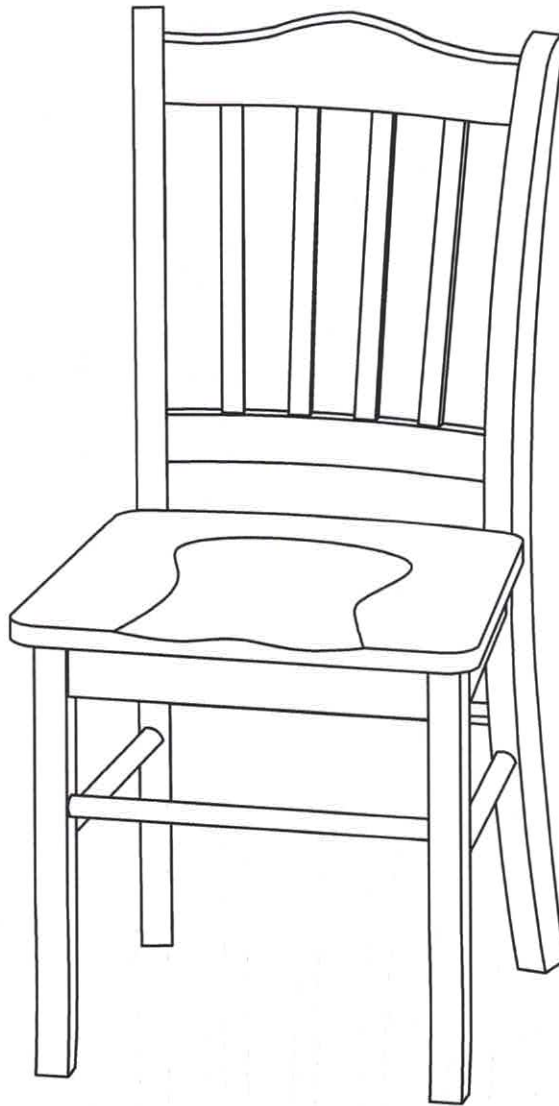
30136, 30536, 30636



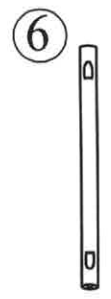
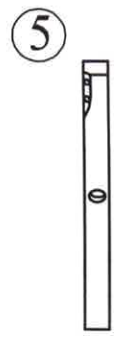
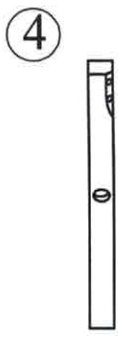
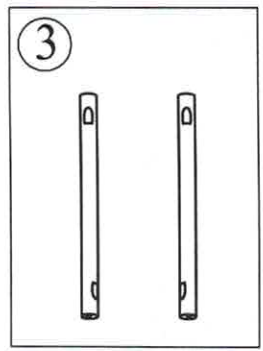
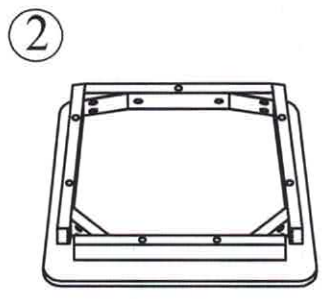
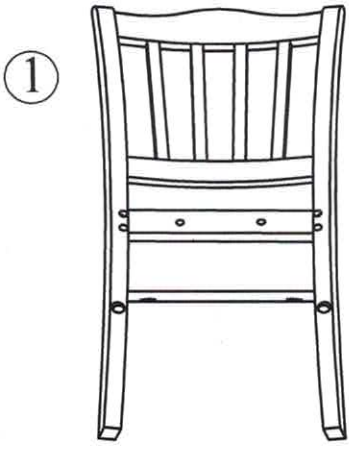
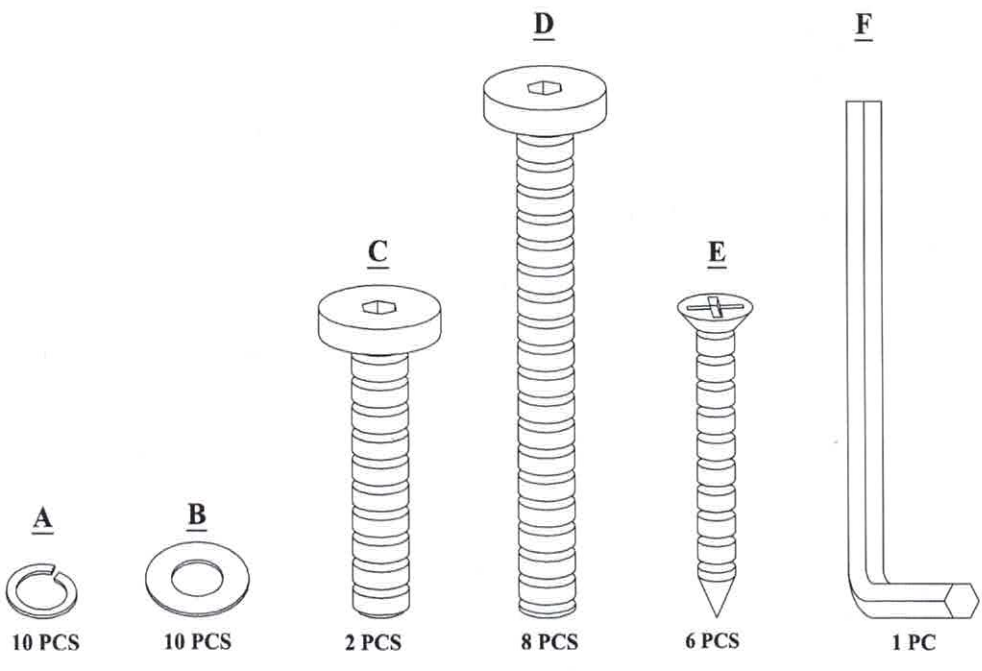
Boraam Industries

SHAKER DINING CHAIR





ASSEMBLY INSTRUCTIONS

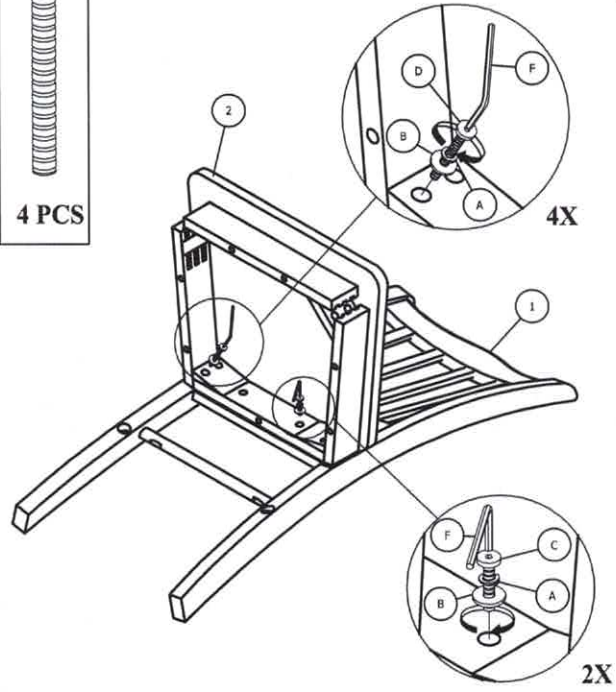


Phillips
Screwdriver
(Not provided)

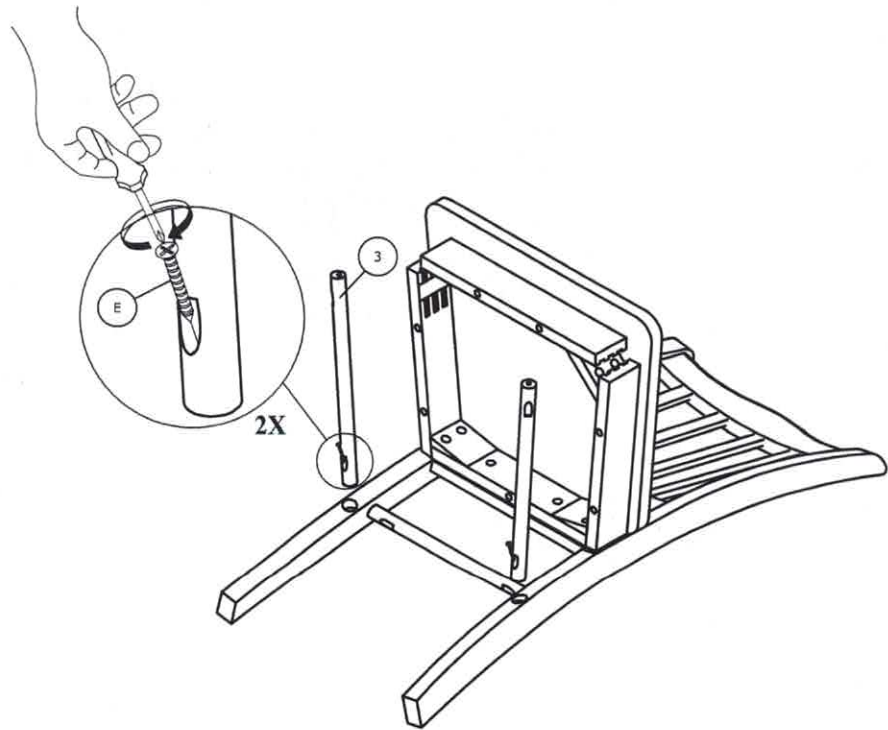
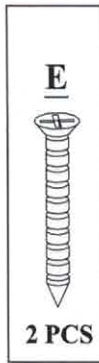


01

A  6 PCS	B  6 PCS	C  2 PCS	D  4 PCS
--	--	--	--

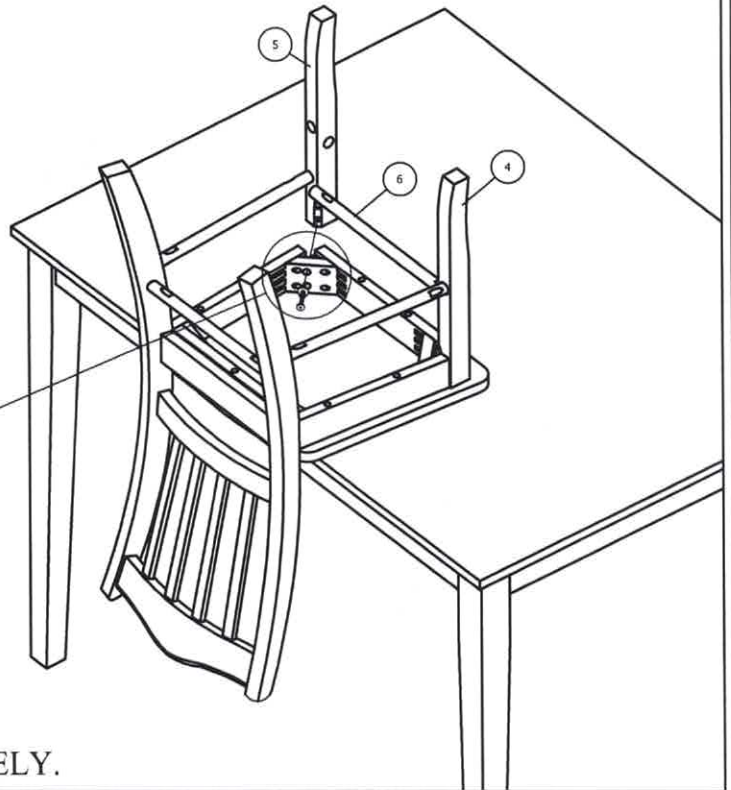
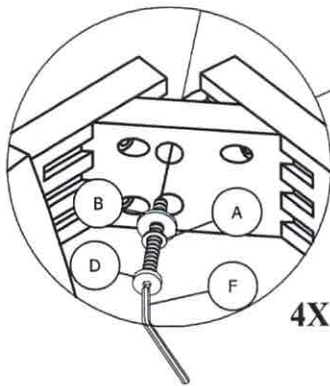
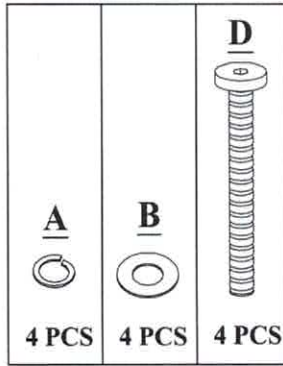


02



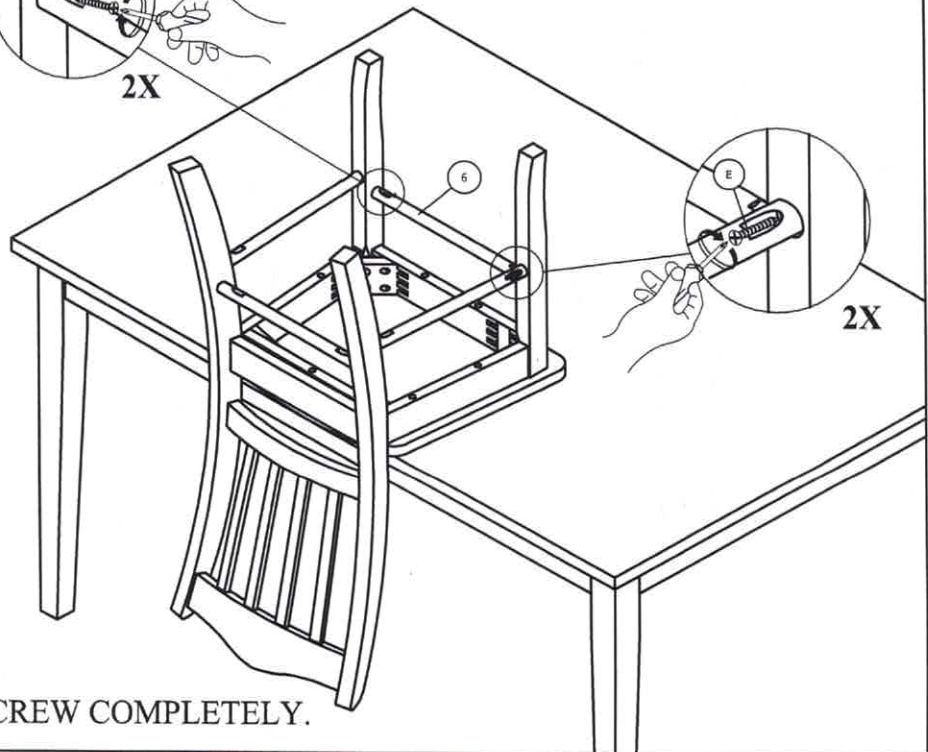
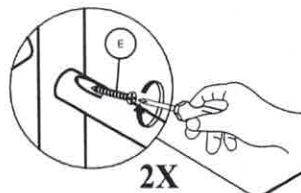
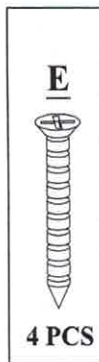
DO NOT TIGHTEN SCREW COMPLETELY.

03

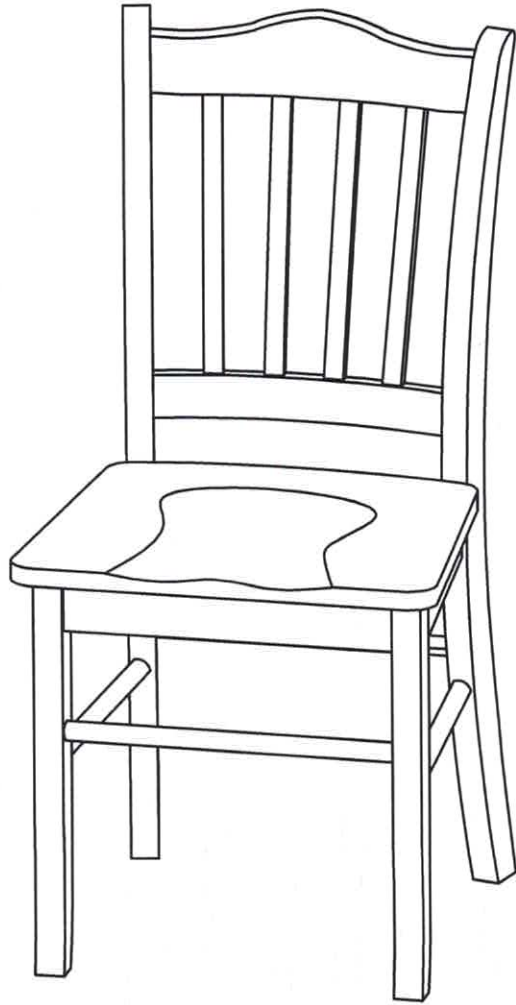


DO NOT TIGHTEN BOLT COMPLETELY.

04



TIGHTEN BOLT AND SCREW COMPLETELY.



BE SURE TO CHECK ALL BOLTS ARE SECURELY TIGHTENED PRIOR USING THIS CHAIR