

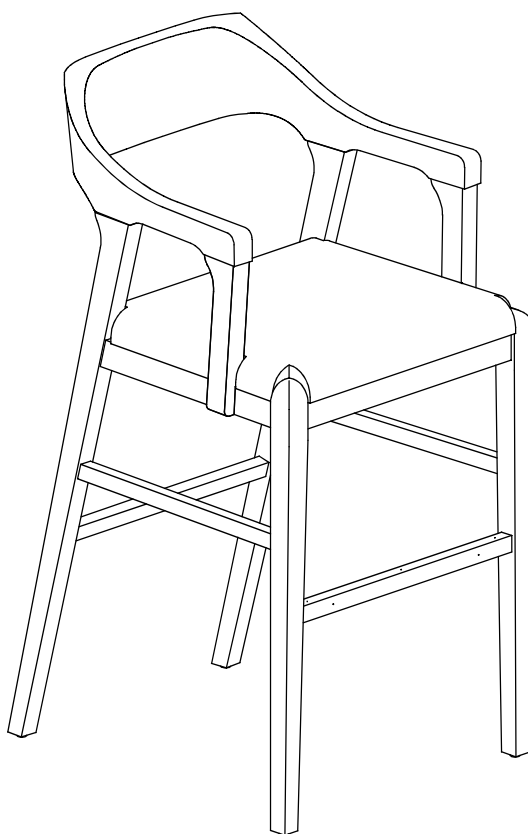


# Boraam Industries

ASSEMBLY INSTRUCTIONS

**SKU: 78024,78029**

**RASMUS STOOL**



Have questions about  
assembling your item?



Items or parts damaged?



Missing a part?

**We're here to help! (Monday-Friday from 9am-5pm CST)**



847-949-6300  
877-267-2261



customerservice@  
boraamindustries.com

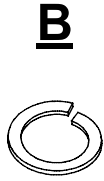


[www.boraamindustries.com](http://www.boraamindustries.com)

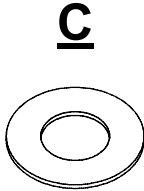
Phillips  
Screwdriver  
(not provided)



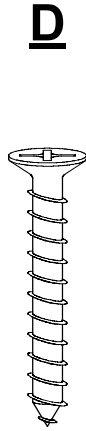
**Wooden  
Button  
4 PCS**



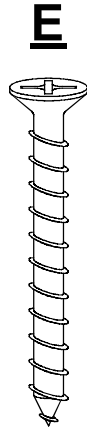
**Spring  
Washer  
M8\*10  
10 PCS**



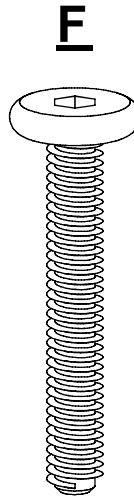
**Flat  
Washer  
M8\*16  
10 PCS**



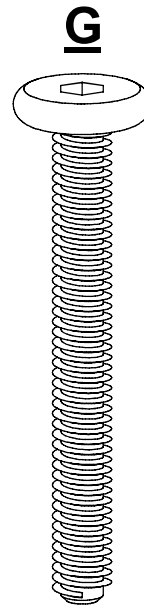
**Screw  
M4\*30  
4 PCS**



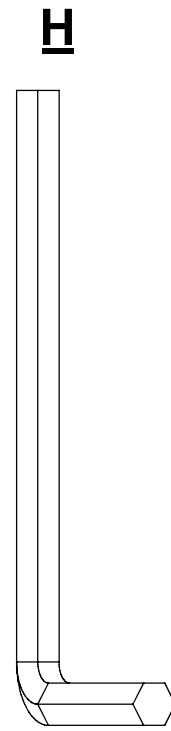
**Screw  
M4\*40  
8 PCS**



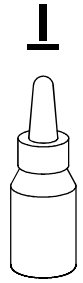
**Bolt  
M8\*40  
2 PCS**



**Bolt  
M8\*70  
8 PCS**

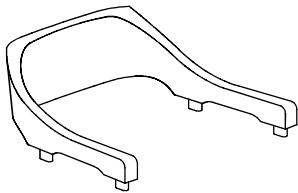


**Allen  
Wrench  
M4\*110  
1 PC**

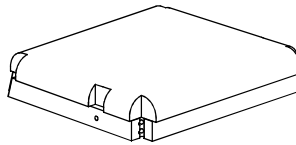


**WHITE GLUE  
1 PC**

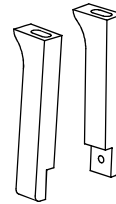
**1**



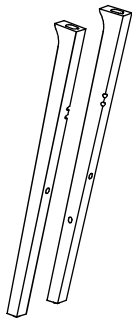
**2**



**3**



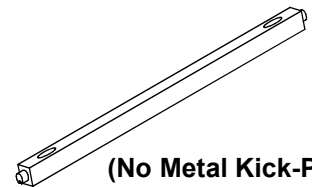
**4**



**5**

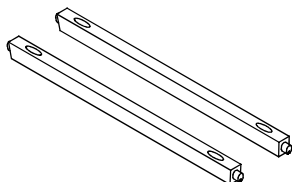


**6**

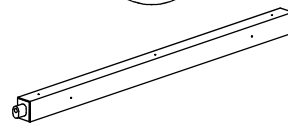


(No Metal Kick-Plate)

**7**







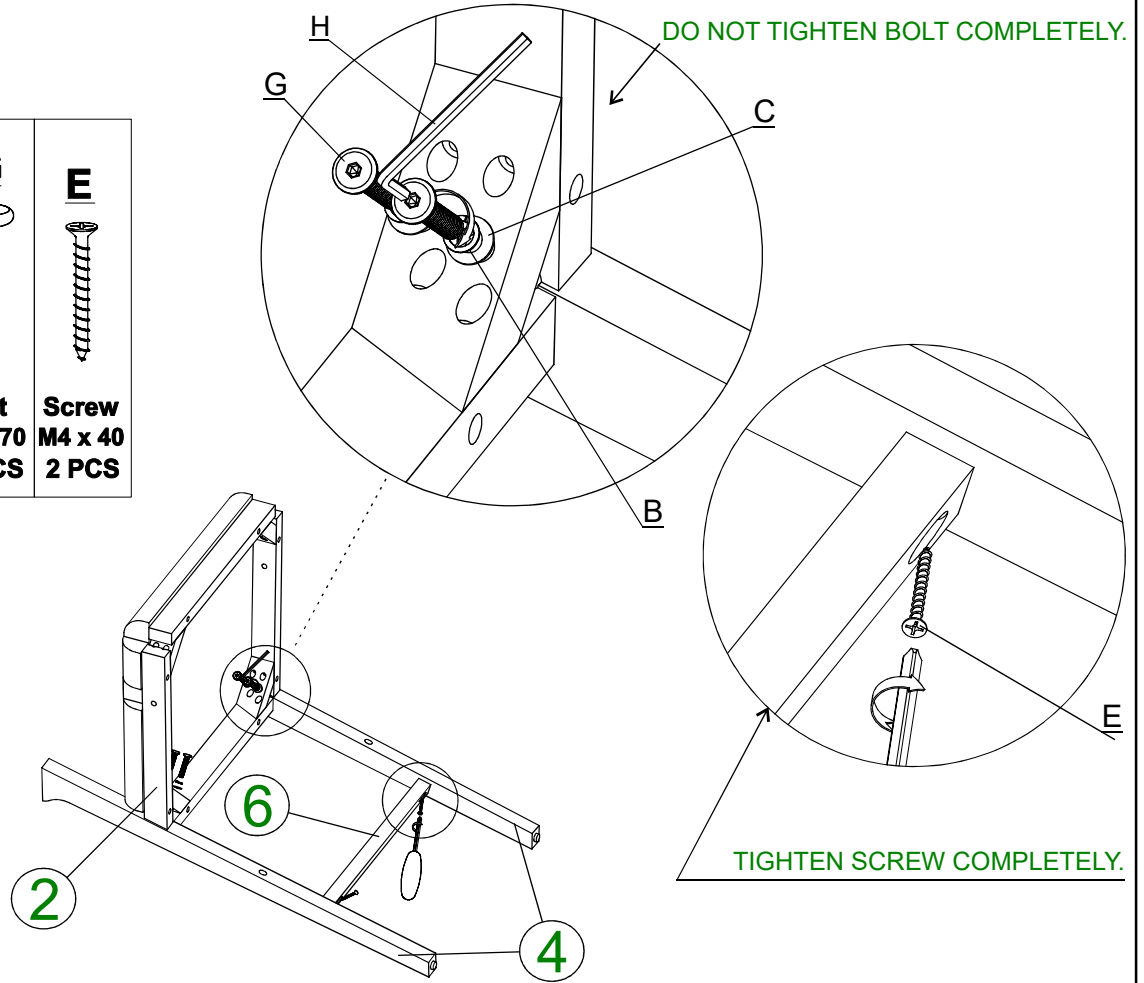
**8**







(With Metal Kick-Plate)

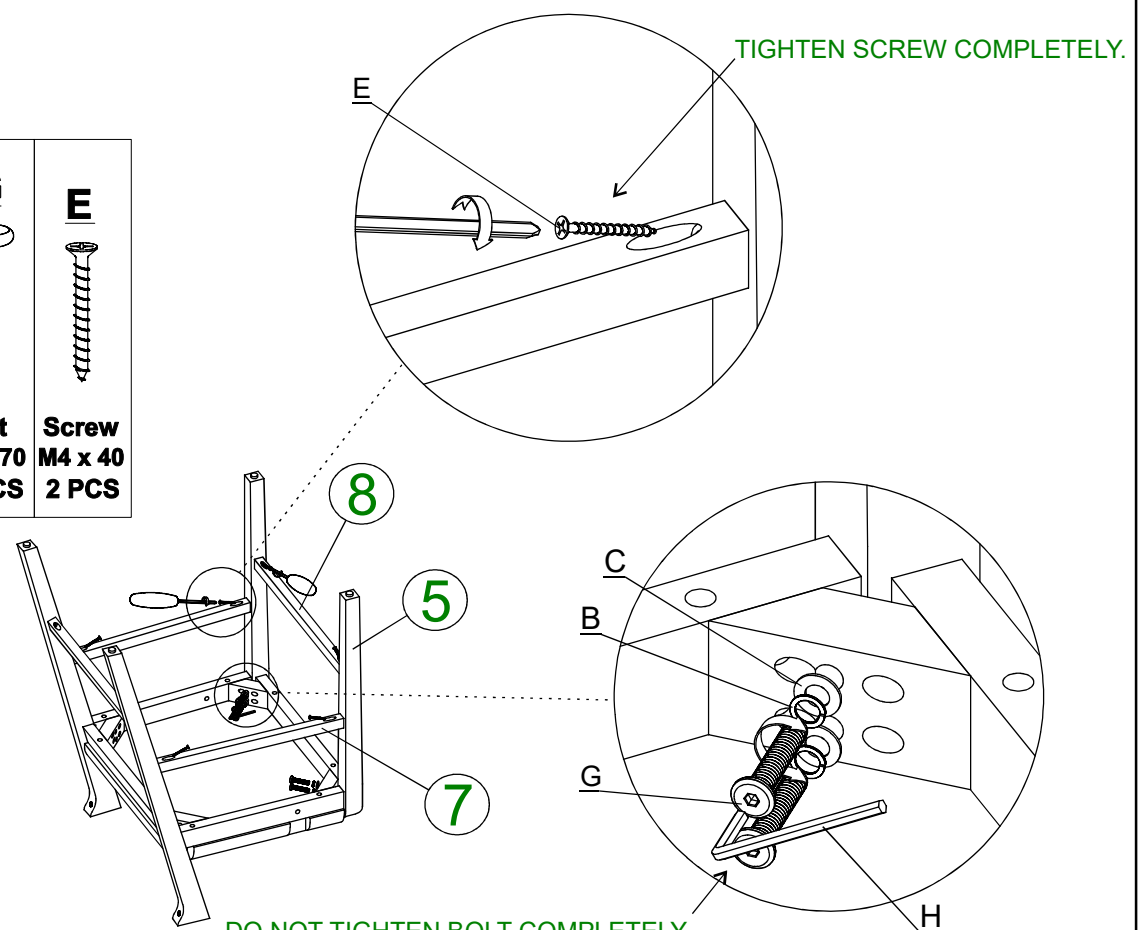
# 01

<b>B</b>	<b>C</b>	<b>G</b>	<b>E</b>
			
<b>4 PCS</b>	<b>4 PCS</b>	<b>Bolt M8 x 70 4 PCS</b>	<b>Screw M4 x 40 2 PCS</b>



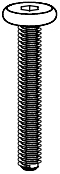


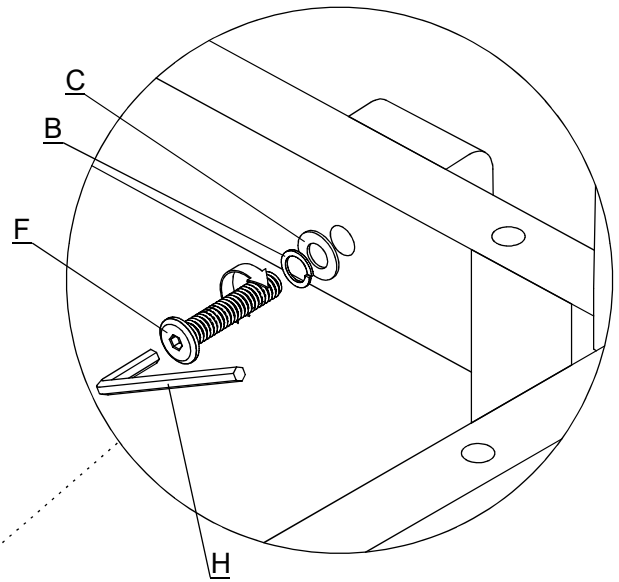
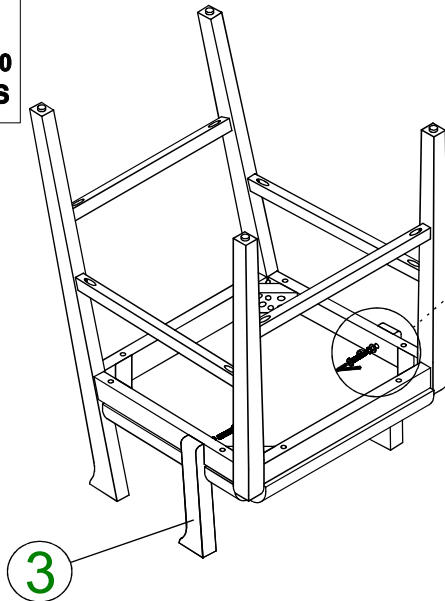
# 02

<b>B</b>	<b>C</b>	<b>G</b>	<b>E</b>
			
<b>4 PCS</b>	<b>4 PCS</b>	<b>Bolt M8 x 70 4 PCS</b>	<b>Screw M4 x 40 2 PCS</b>




# 03

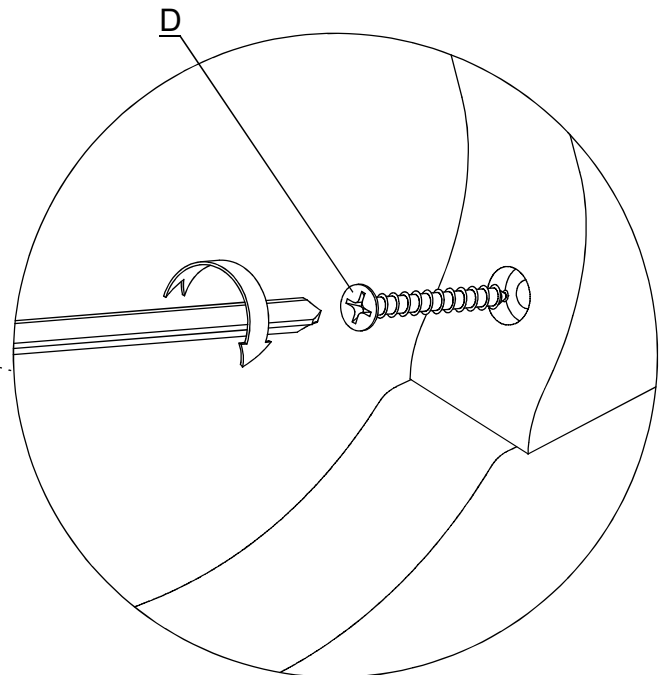
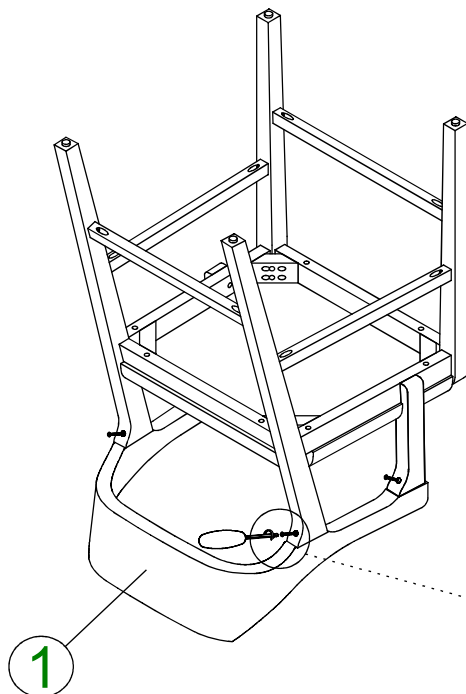
<b>B</b>  4 PCS	<b>C</b>  4 PCS	<b>F</b>  Bolt M8 x 40 2 PCS
--	--	---



DO NOT TIGHTEN BOLT COMPLETELY.

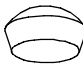

# 04

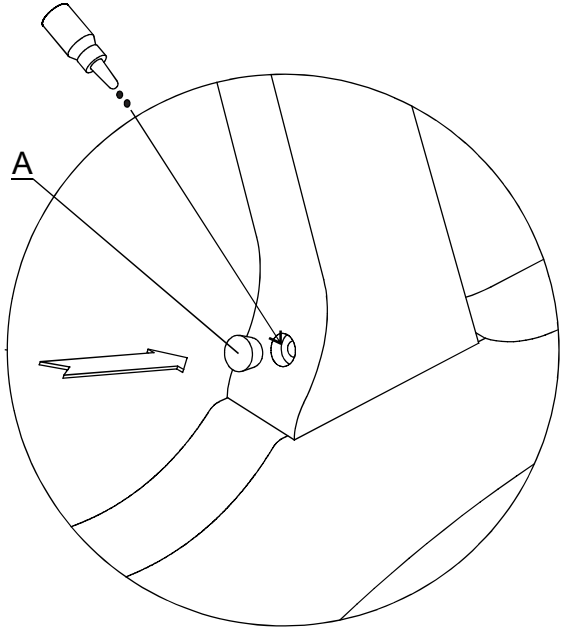
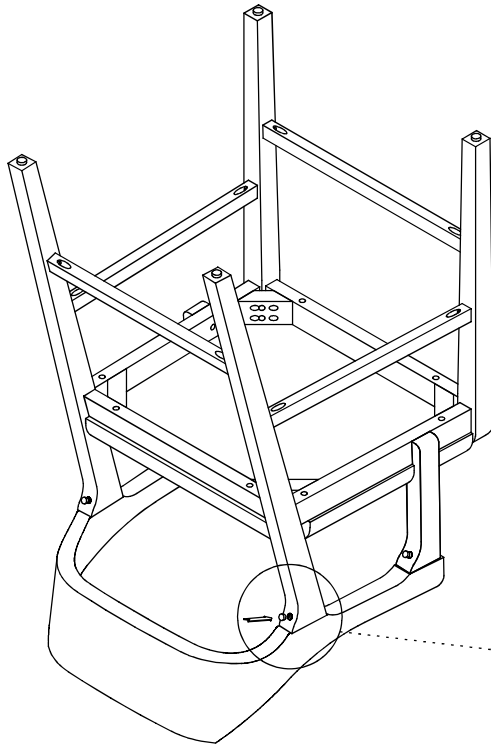
<b>D</b>  Screw M4 x 30 4 PCS
--



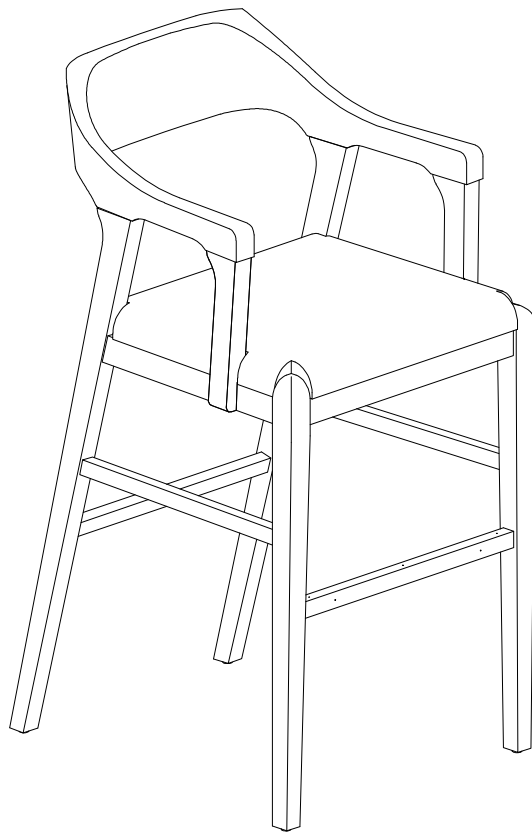
TIGHTEN BOLT COMPLETELY.

# 05

<b>A</b>	<b>I</b>
	
<b>4 PCS</b>	<b>1 PC</b>



APPLY SMALL AMOUNT OF GLUE BETWEEN WOODEN BUTTON AND BOLT HOLE



BE SURE TO CHECK ALL BOLTS ARE SECURELY TIGHTENED PRIOR USING THIS STOOL.