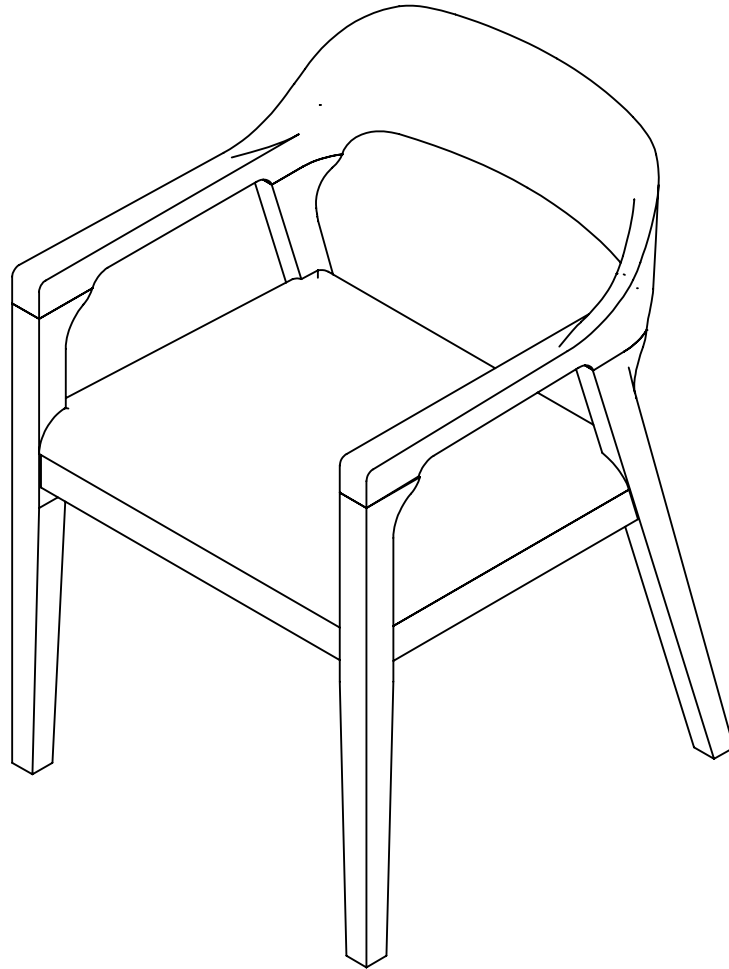




Boraam Industries

ASSEMBLY INSTRUCTIONS

SKU: 77317,77318 | RASMUS DINING ARM CHAIR



Have questions about assembling your item?



Items or parts damaged?



Missing a part?

We're here to help! (Monday-Friday from 9am-5pm CST)



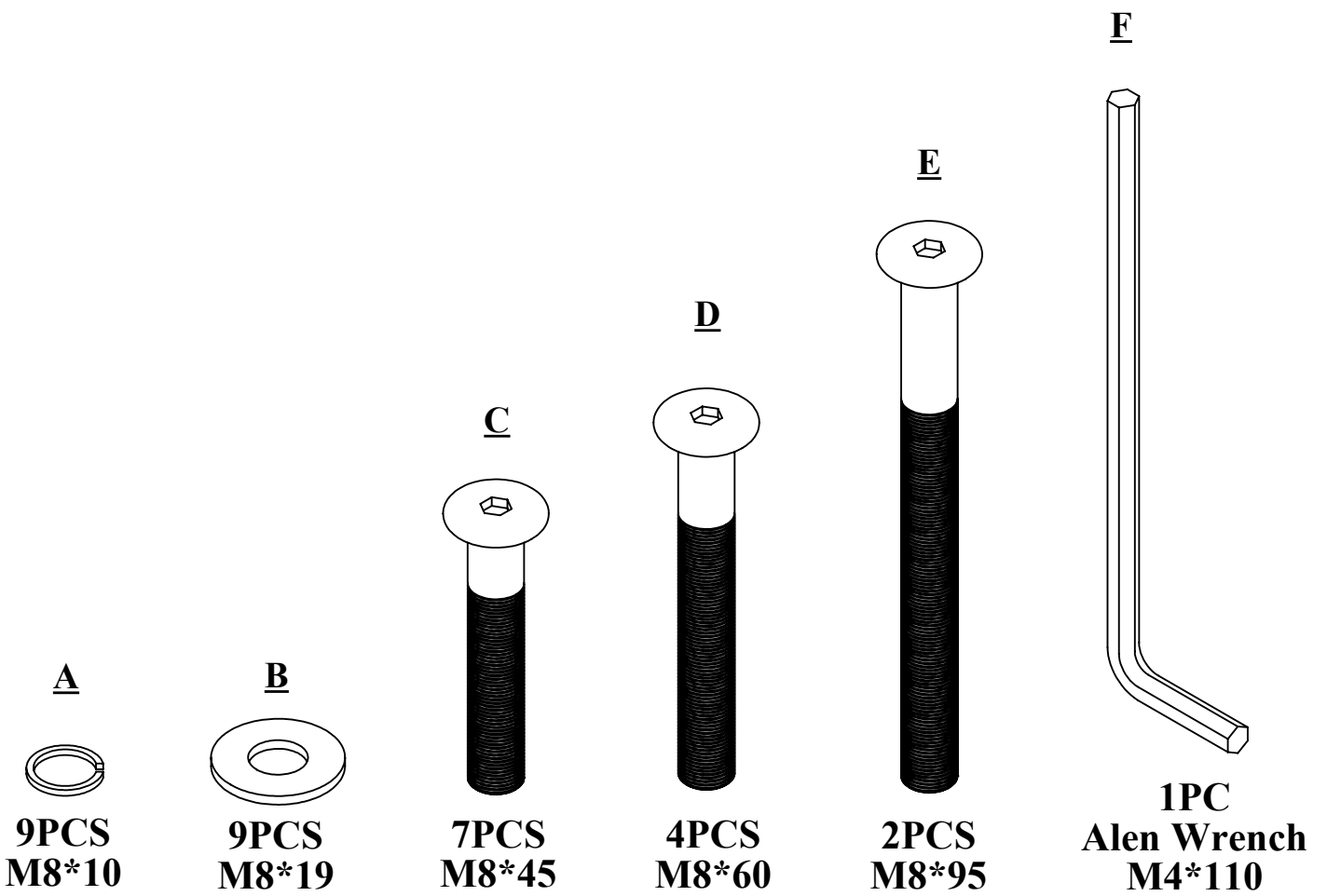
847-949-6300
877-267-2261



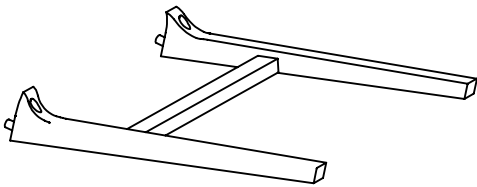
customerservice@
boraamindustries.com



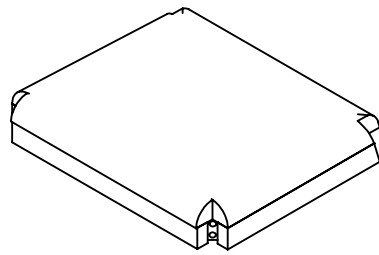
www.boraamindustries.com



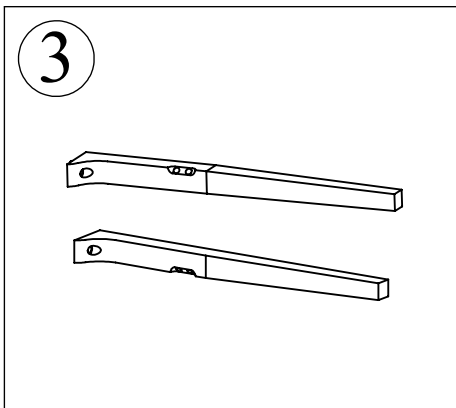
①



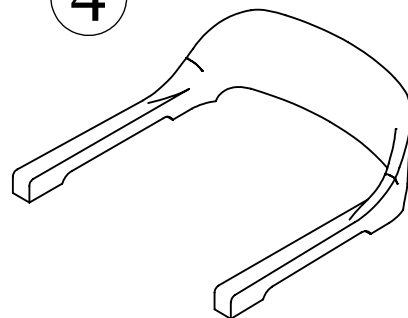
②






③

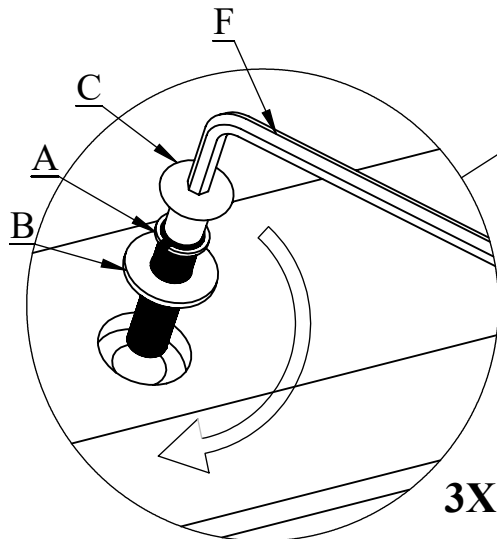
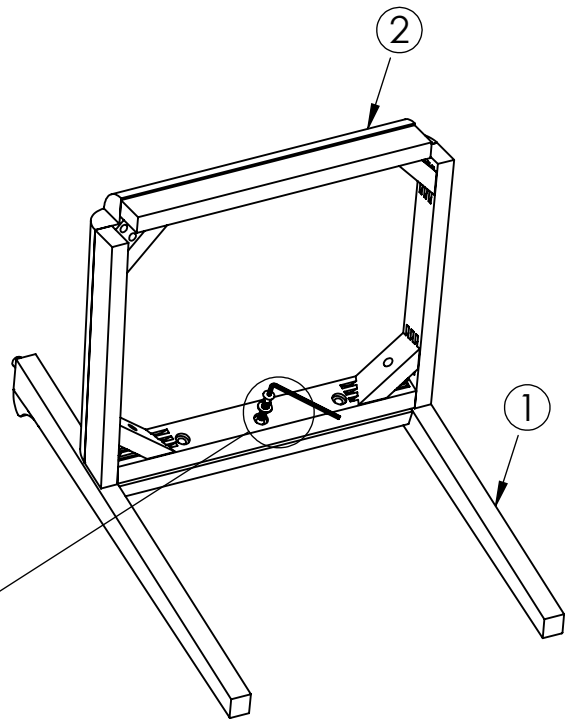


④






01

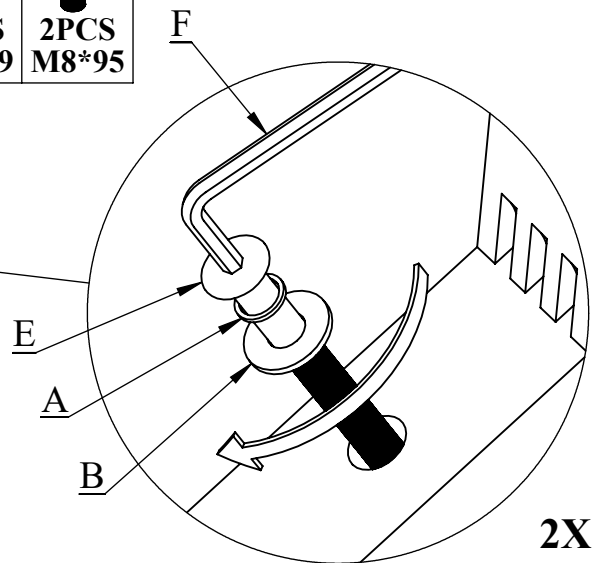
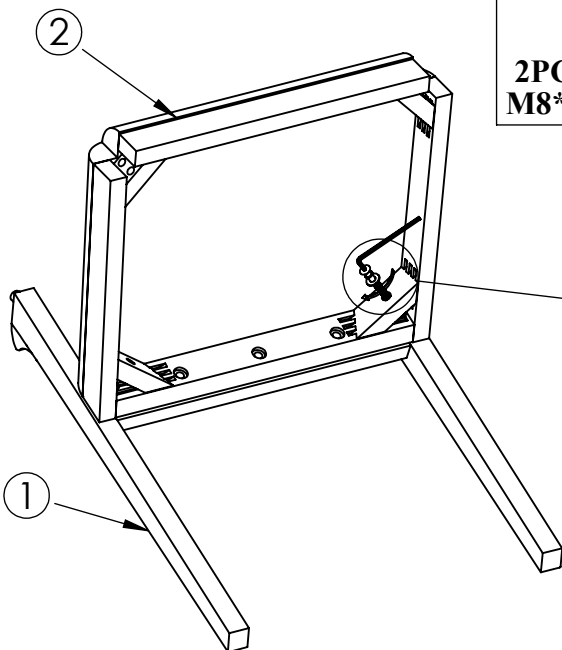
A 	B 	C 
3PCS M8*10	3PCS M8*19	3PCS M8*45



DO NOT TIGHTEN BOLT COMPLETELY




02

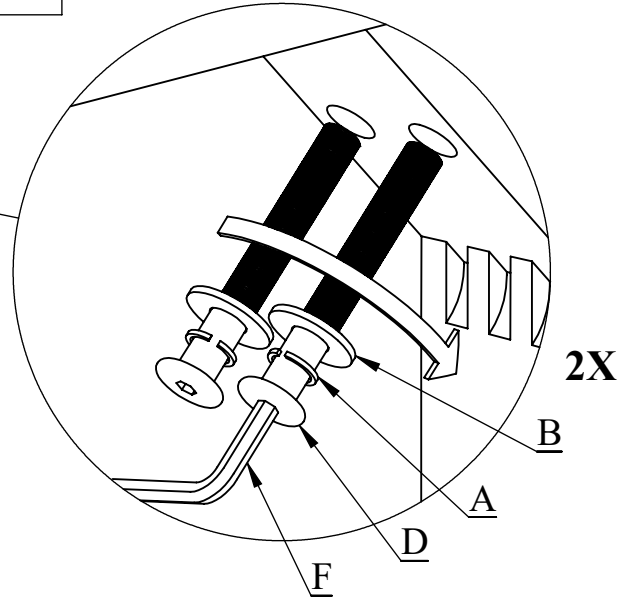
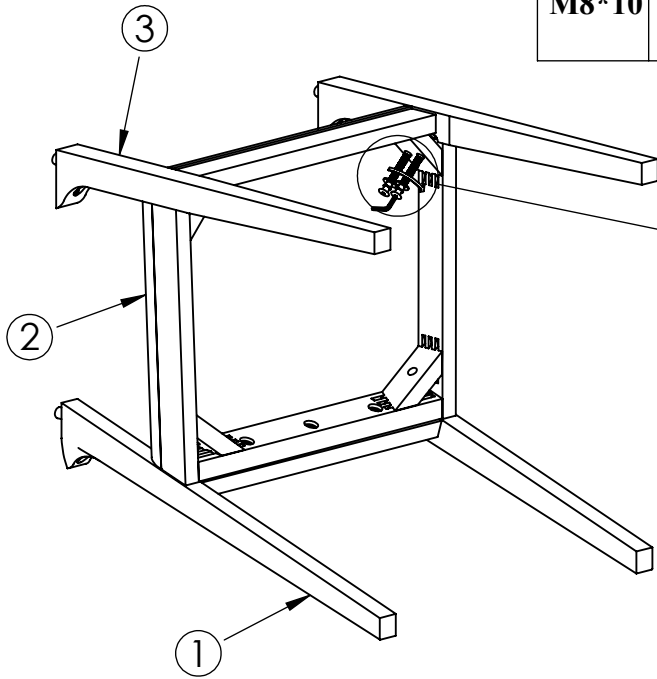
A 	B 	E 
2PCS M8*10	2PCS M8*19	2PCS M8*95



DO NOT TIGHTEN BOLT COMPLETELY


03

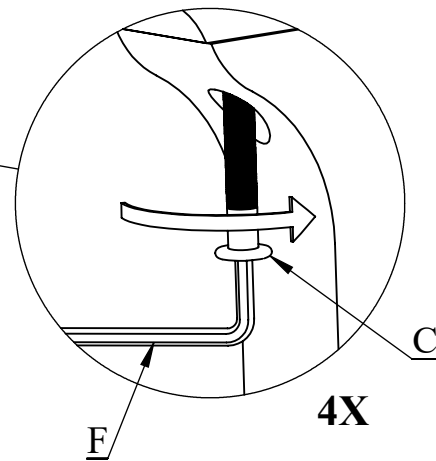
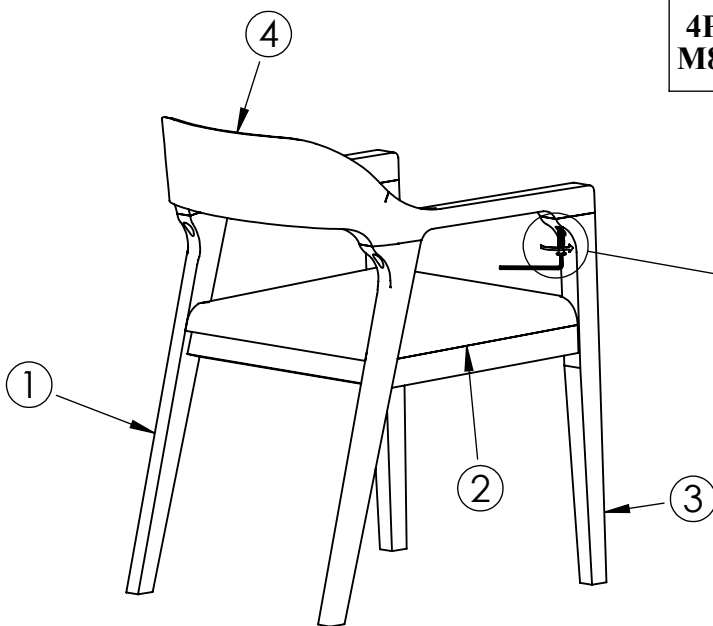
A 	B 	D 
4PCS M8*10	4PCS M8*19	4PCS M8*60



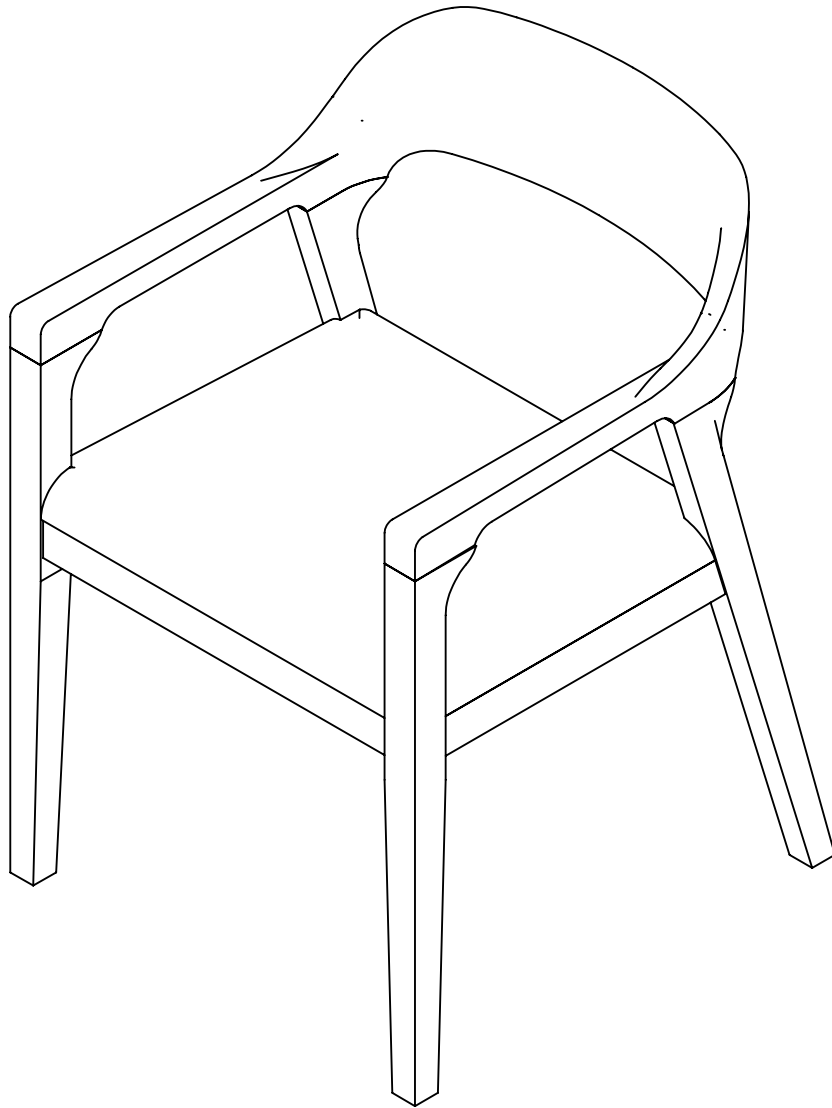
DO NOT TIGHTEN BOLT COMPLETELY

04

C 
4PCS M8*45



DO NOT TIGHTEN BOLT COMPLETELY



BE SURE TO CHECK ALL BOLTS SECURELY
TIGHTENED PRIOR USING THIS CHAIR

847-949-6300 | 877-267-2261 | customerservice@boraamindustries.com