

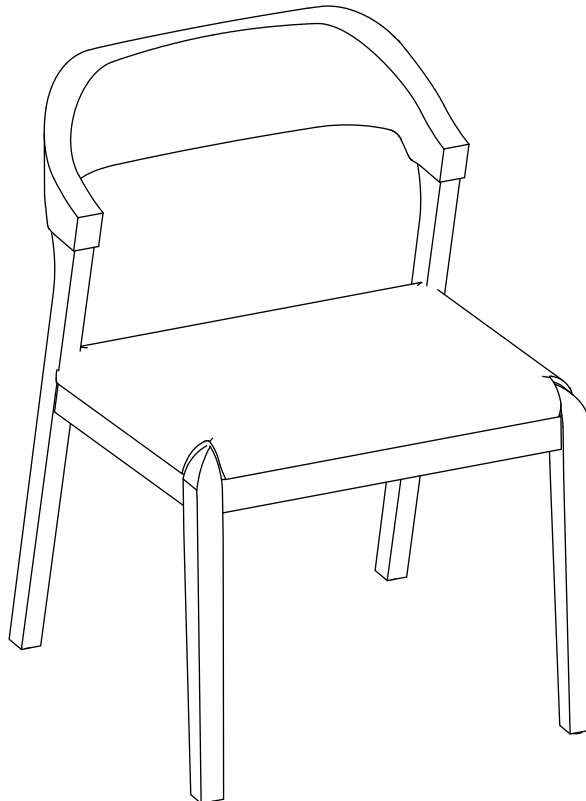


Boraam Industries

ASSEMBLY INSTRUCTIONS

SKU: 77316,77319

RASMUS DINING CHAIR



Have questions about
assembling your item?



Items or parts damaged?



Missing a part?

We're here to help! (Monday-Friday from 9am-5pm CST)



847-949-6300
877-267-2261

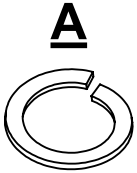


customerservice@
boraamindustries.com

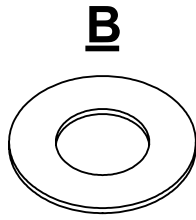


www.boraamindustries.com

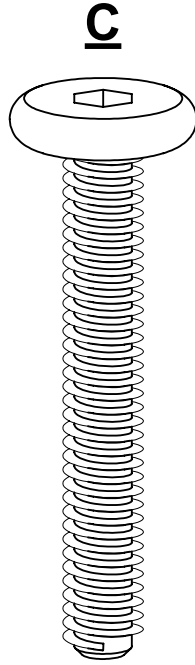
Phillips
Screwdriver
(Not provided)



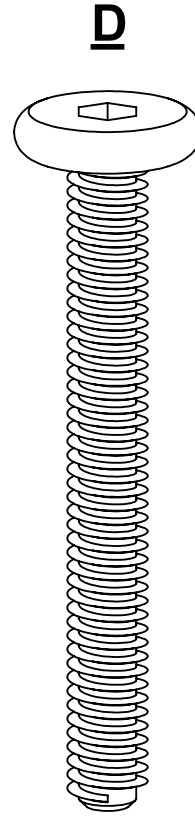
M8*10
8 PCS



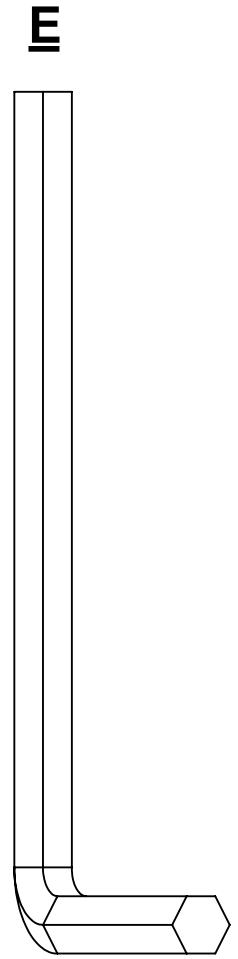
M8*16
8 PCS



M8*50
2 PCS

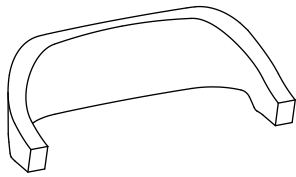


M8*70
8 PCS

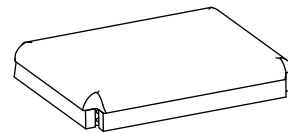


M4*110
1 PC

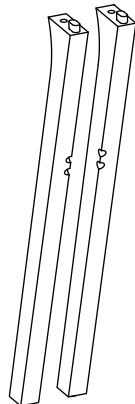
1



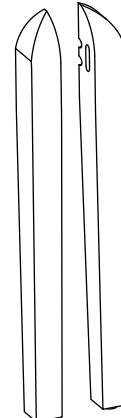
2



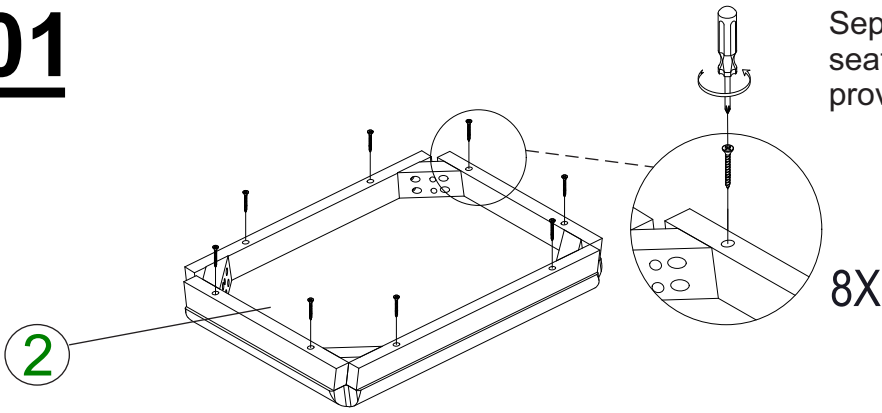
3



4

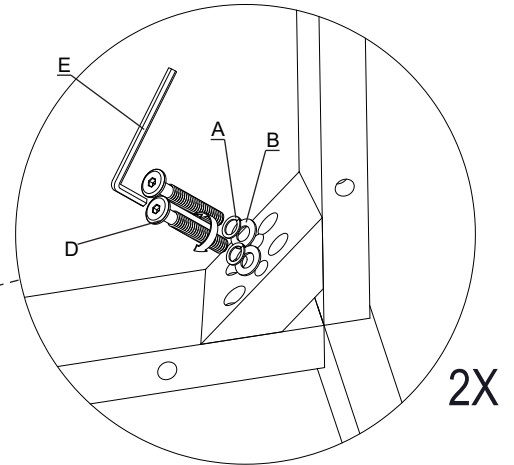
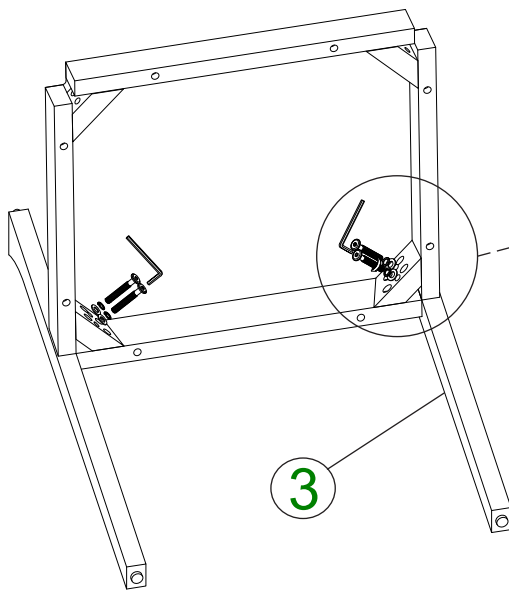
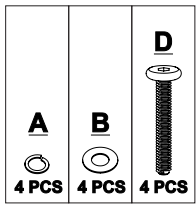


01



Separate the wooden seat frame and seat cushion by use screwdriver (not provided).

02



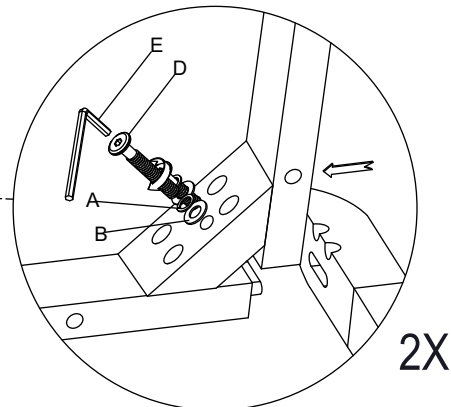
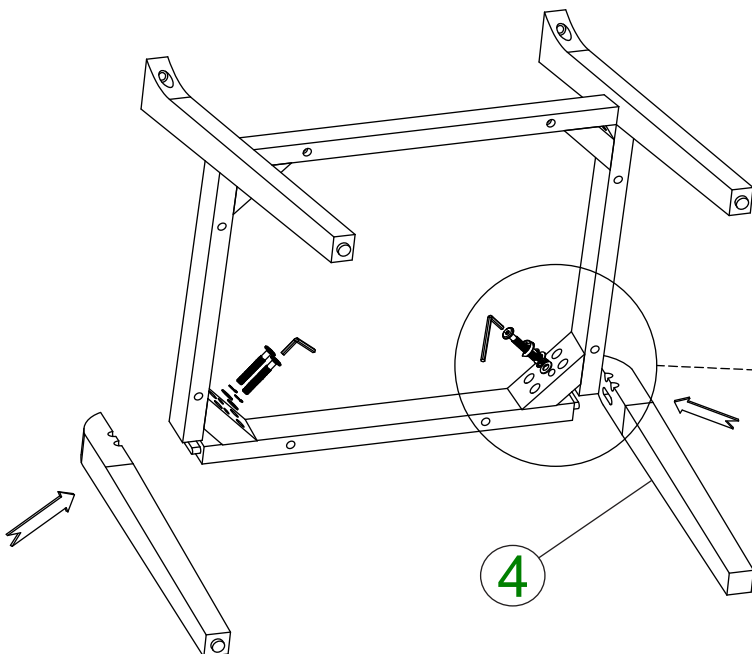
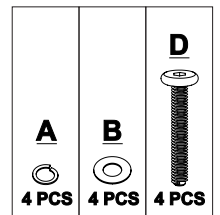
2X

Assembly a wooden seat frame with 2 back legs.

DO NOT TIGHTEN BOLT COMPLETELY.

03

Assembly a wooden seat frame with 2 front legs.

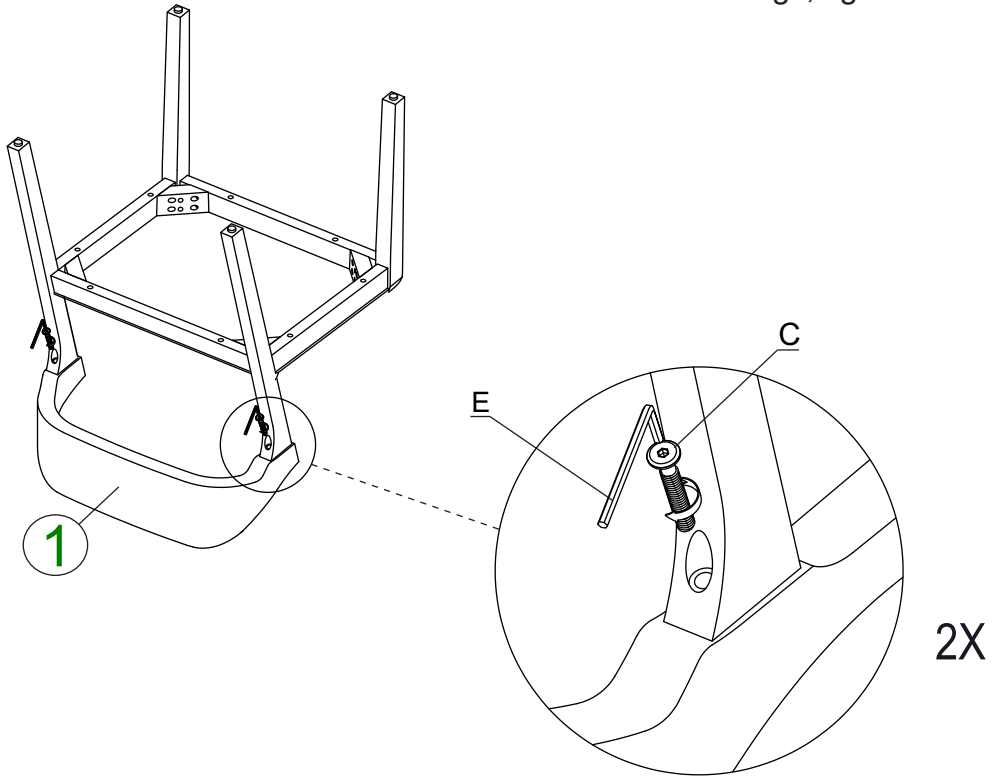
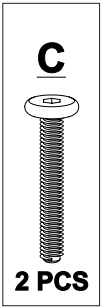


2X

DO NOT TIGHTEN BOLT COMPLETELY.

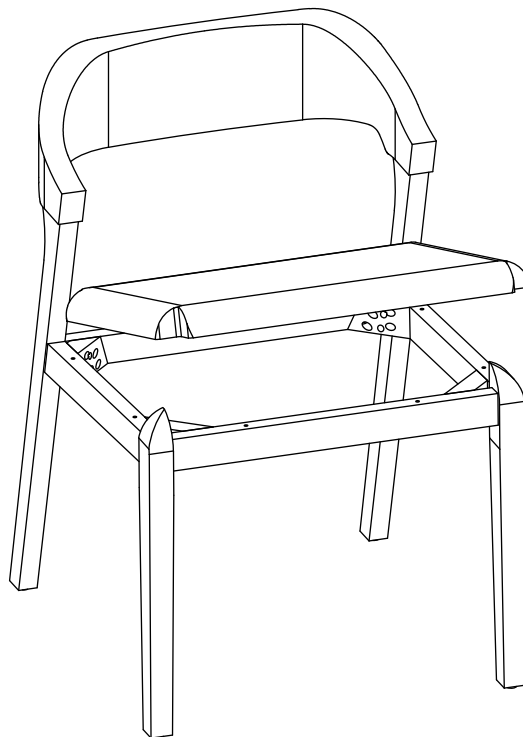
03

Put backrest on 2 behind legs, tighten backrest evenly.



TIGHTEN BOLT COMPLETELY.

04

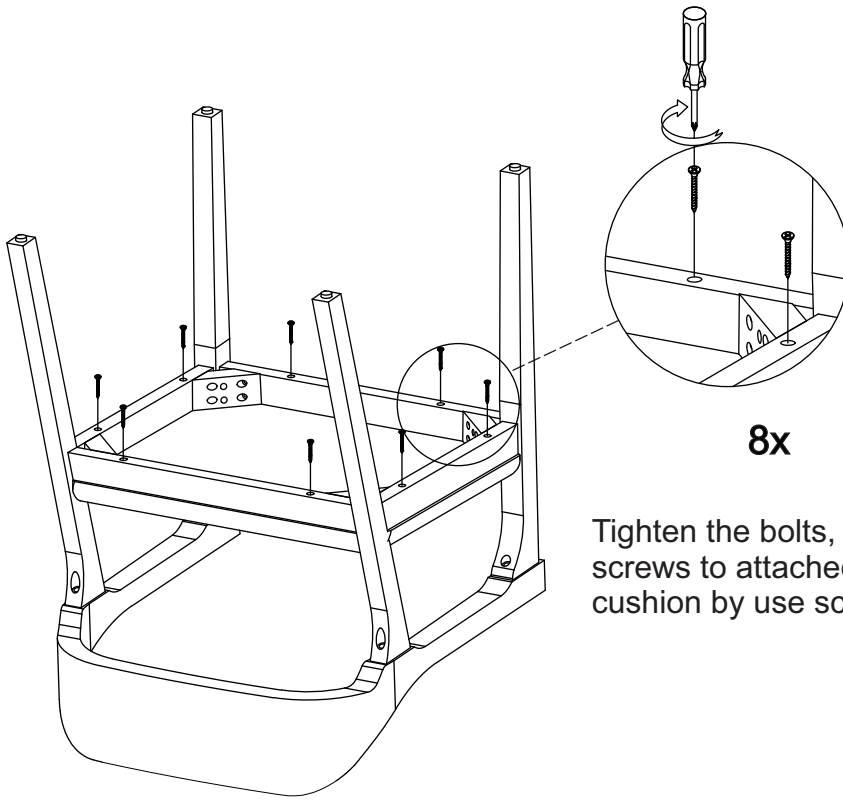


Loose the bolts for chair then put seat cushion behind going first then seat cushion front.

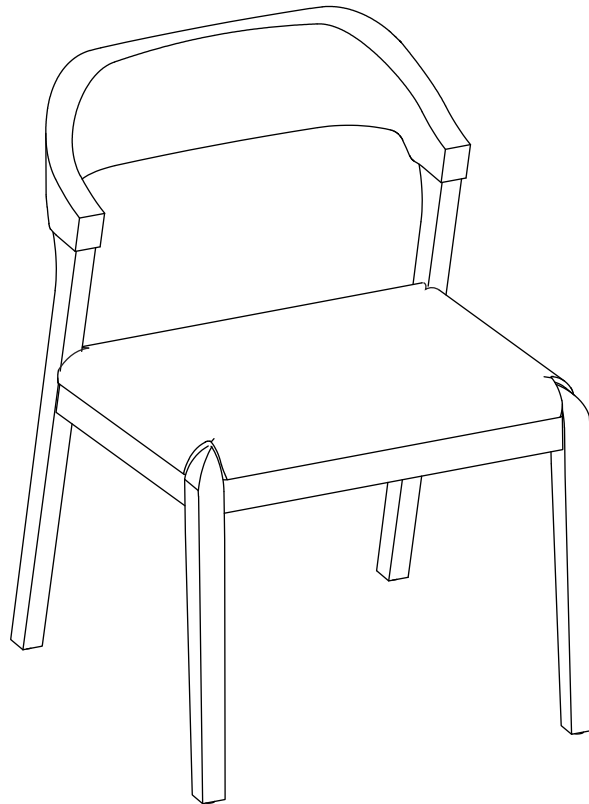
BE SURE TO CHECK ALL BOLTS ARE SECURELY TIGHTENED PRIOR USING THIS CHAIR.

847-949-6300 | 877-267-2261 | customerservice@boraamindustries.com

05



Tighten the bolts, lift over and put 8 wooden screws to attached wooden seat frame and seat cushion by use screwdriver (not provided).



BE SURE TO CHECK ALL BOLTS ARE SECURELY TIGHTENED PRIOR USING THIS CHAIR.