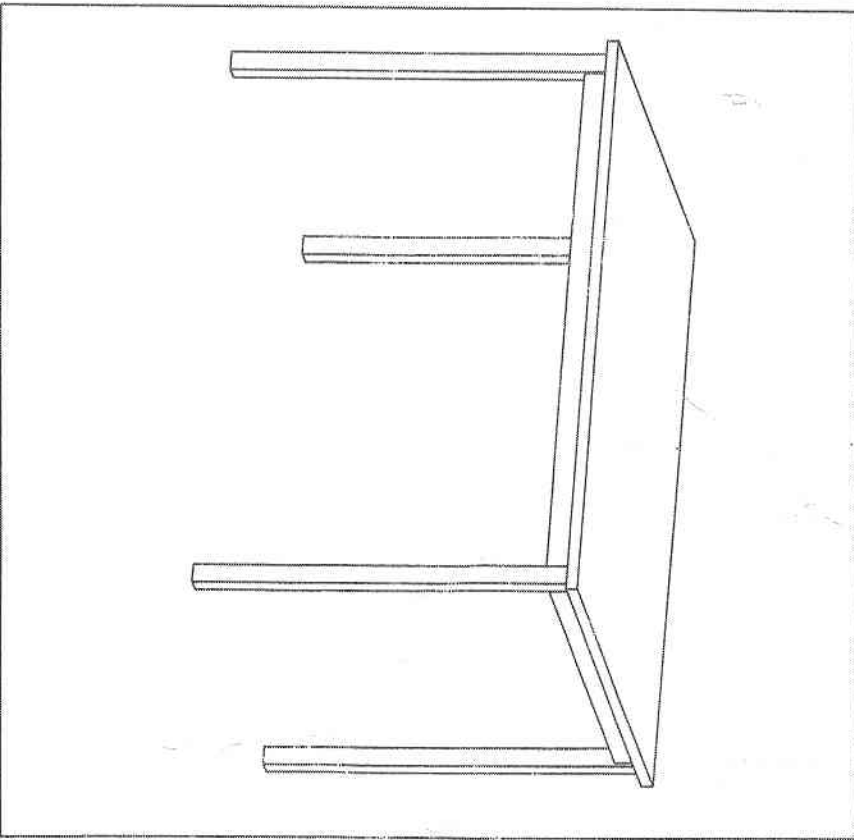


Assembly Instructions



Parts List

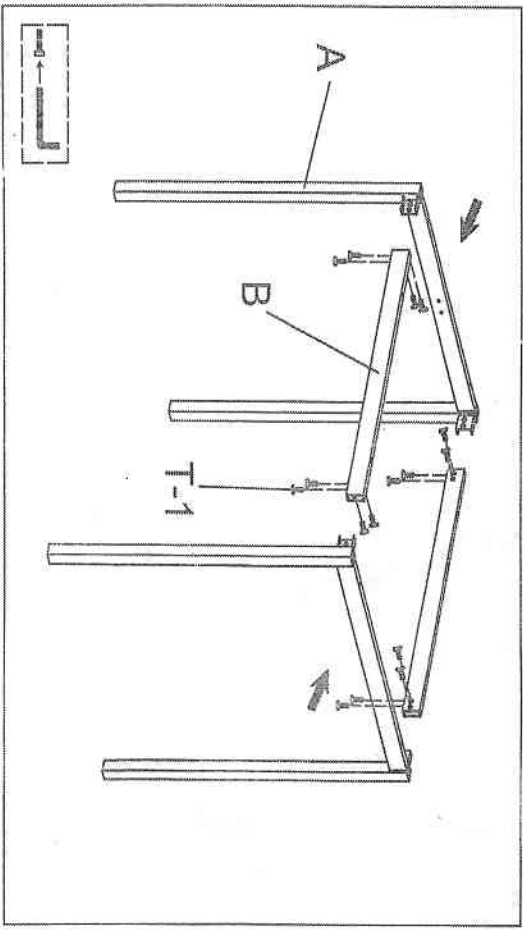
Table	Picture	Qty
A		2
B		2
C		1
D		1
T-1	(M6X15)	20
T-2	(M5X70)	8
T-3		4
T-4		1

77004

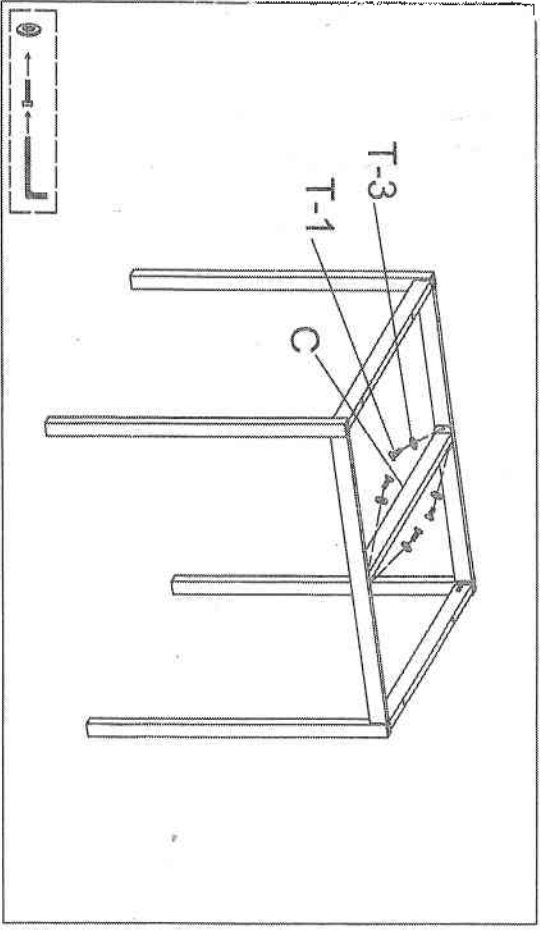
Assembly Steps

ATTENTION:
DO NOT COMPLETELY TIGHTEN ANY SCREWS UNTIL ALL PARTS ARE IN PLACE

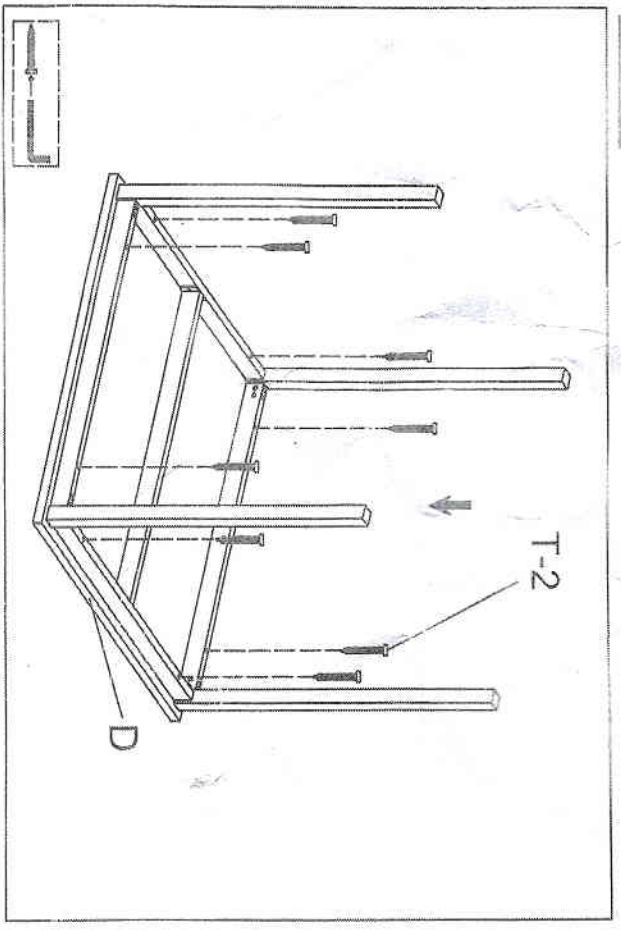
Step 1



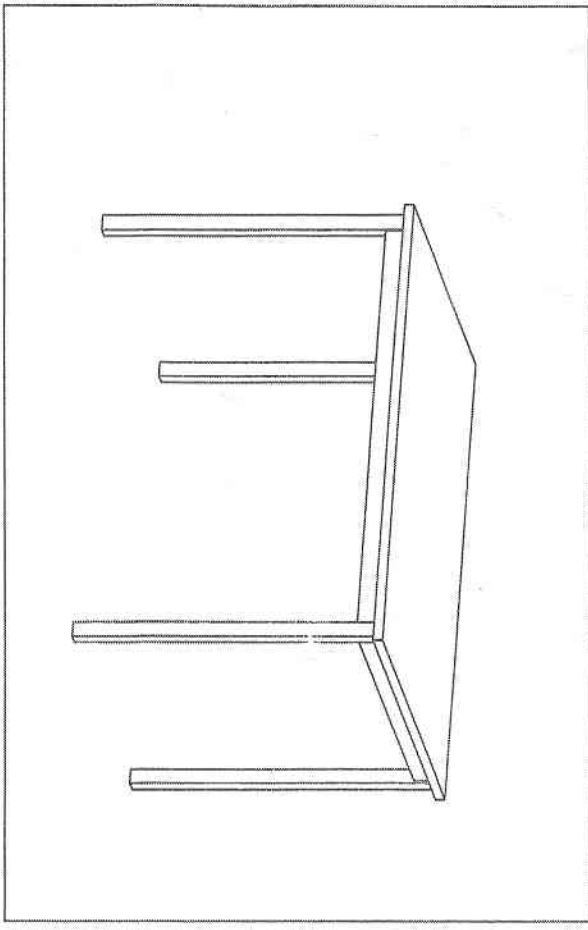
Step 2



Step 3

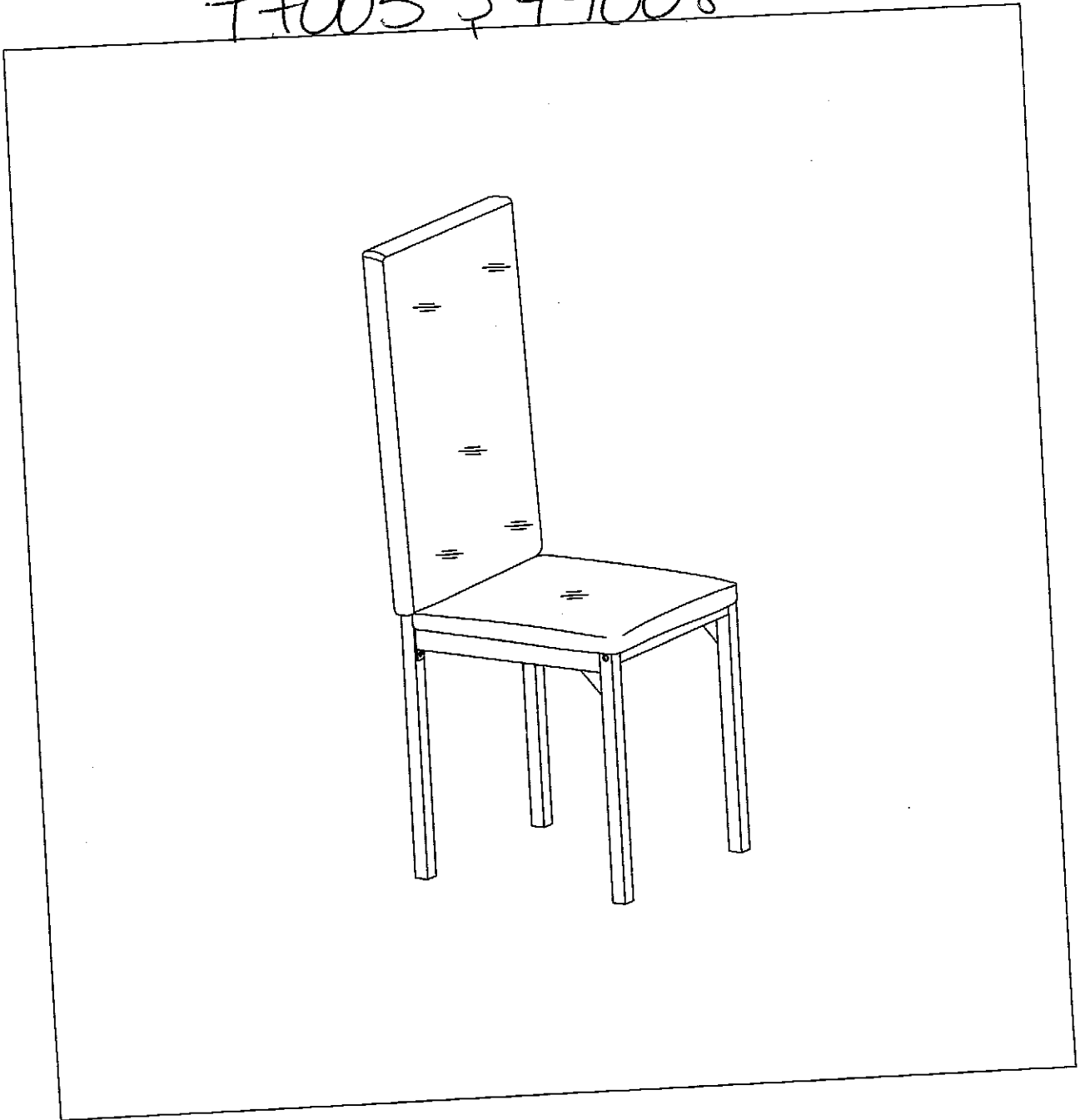


Step 4

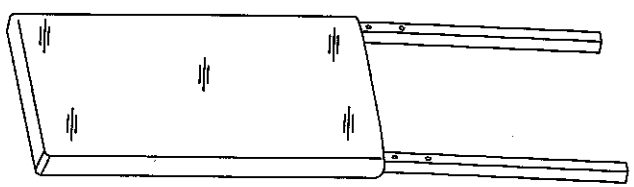
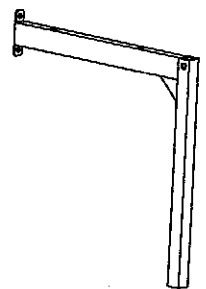

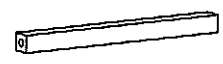
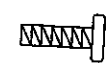
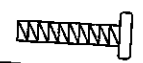
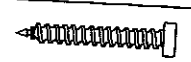



Assembly Instructions

77005 3 77008



Parts List

lable	Picture	Qty
A		1
B		2
C		1
D		1
T - 1	 (M6X20)	4
T - 2	 (M6X40)	2
T - 3	 (M5X55)	4
T - 4		1

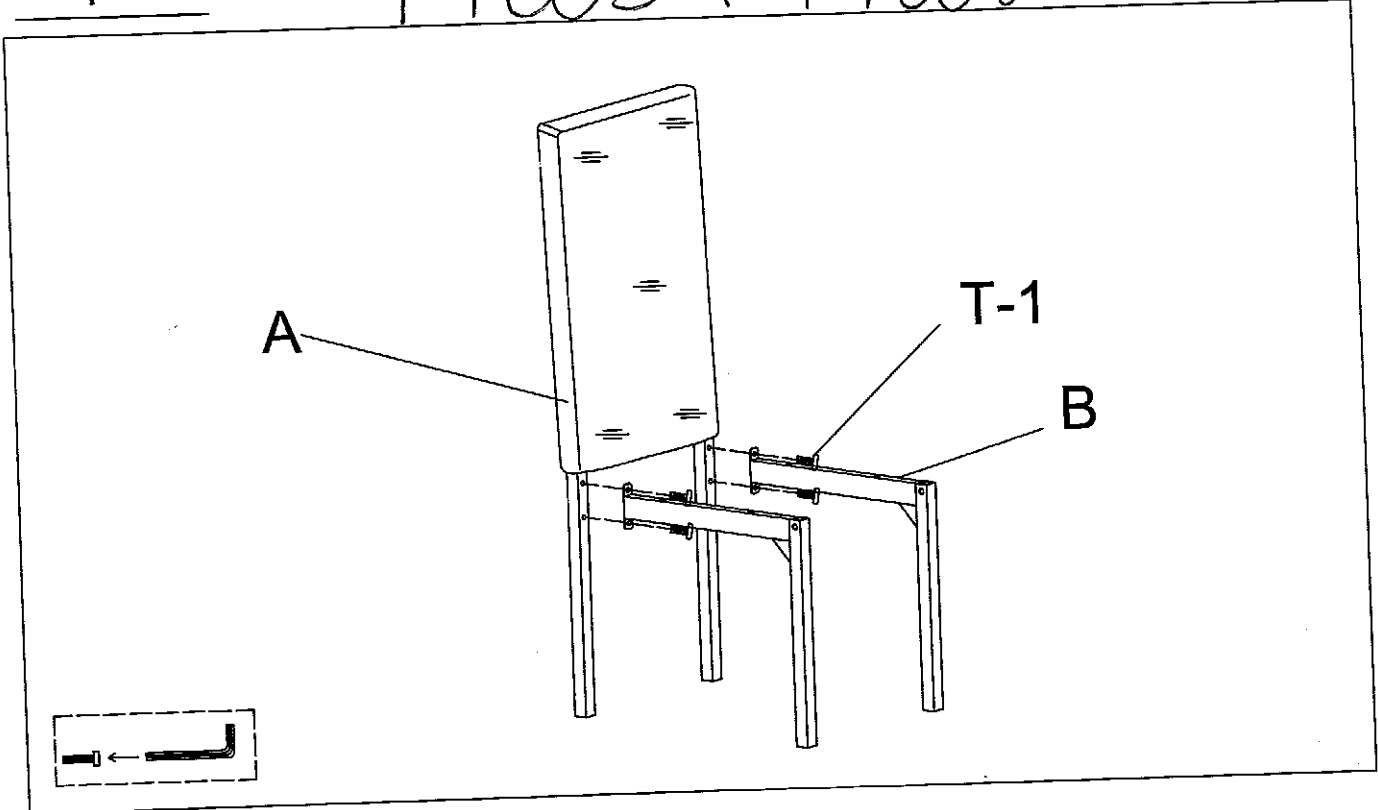
Assembly Steps

ATTENTION:

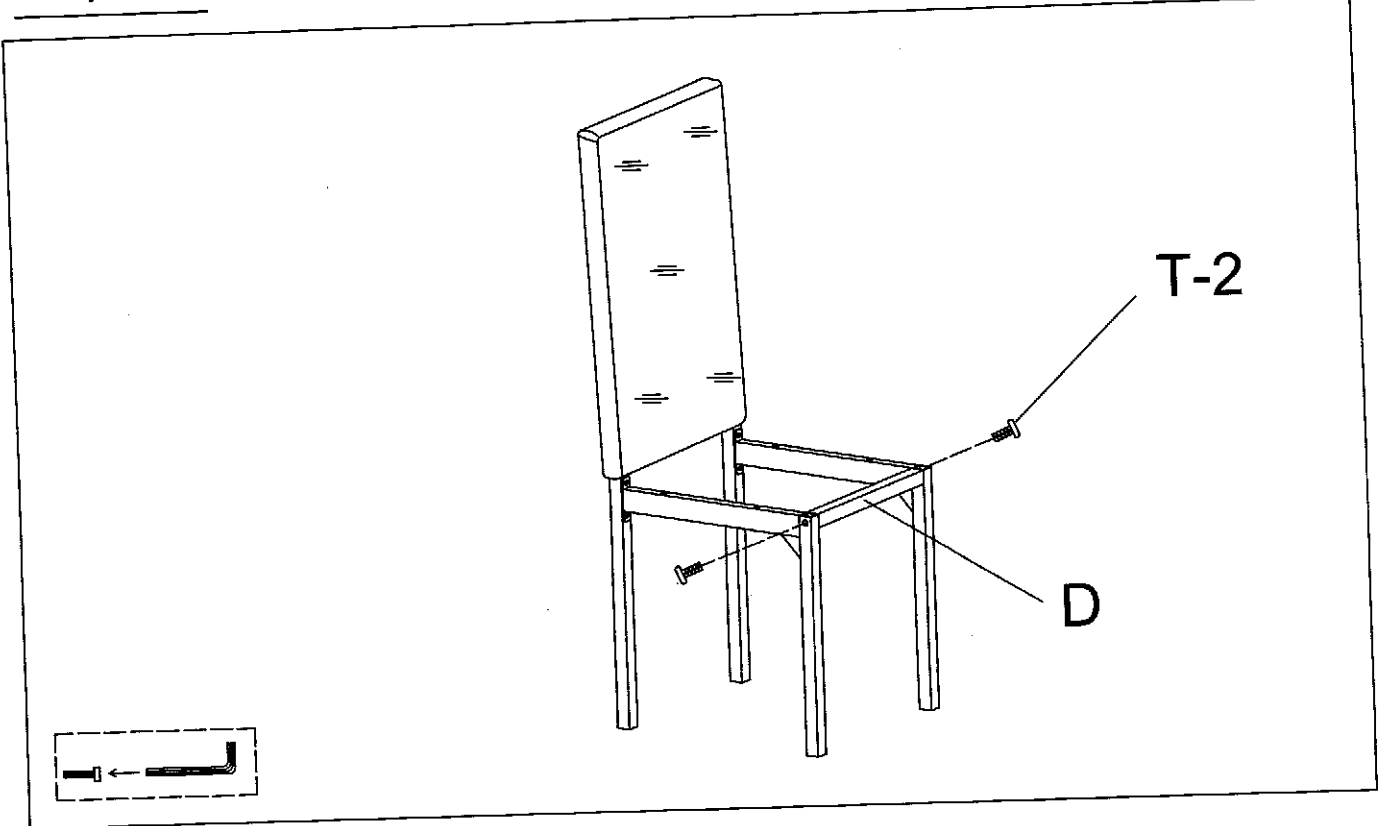
DO NOT COMPLETELY TIGHTEN ANY SCREWS UNTIL ALL PARTS ARE IN PLACE

Step 1

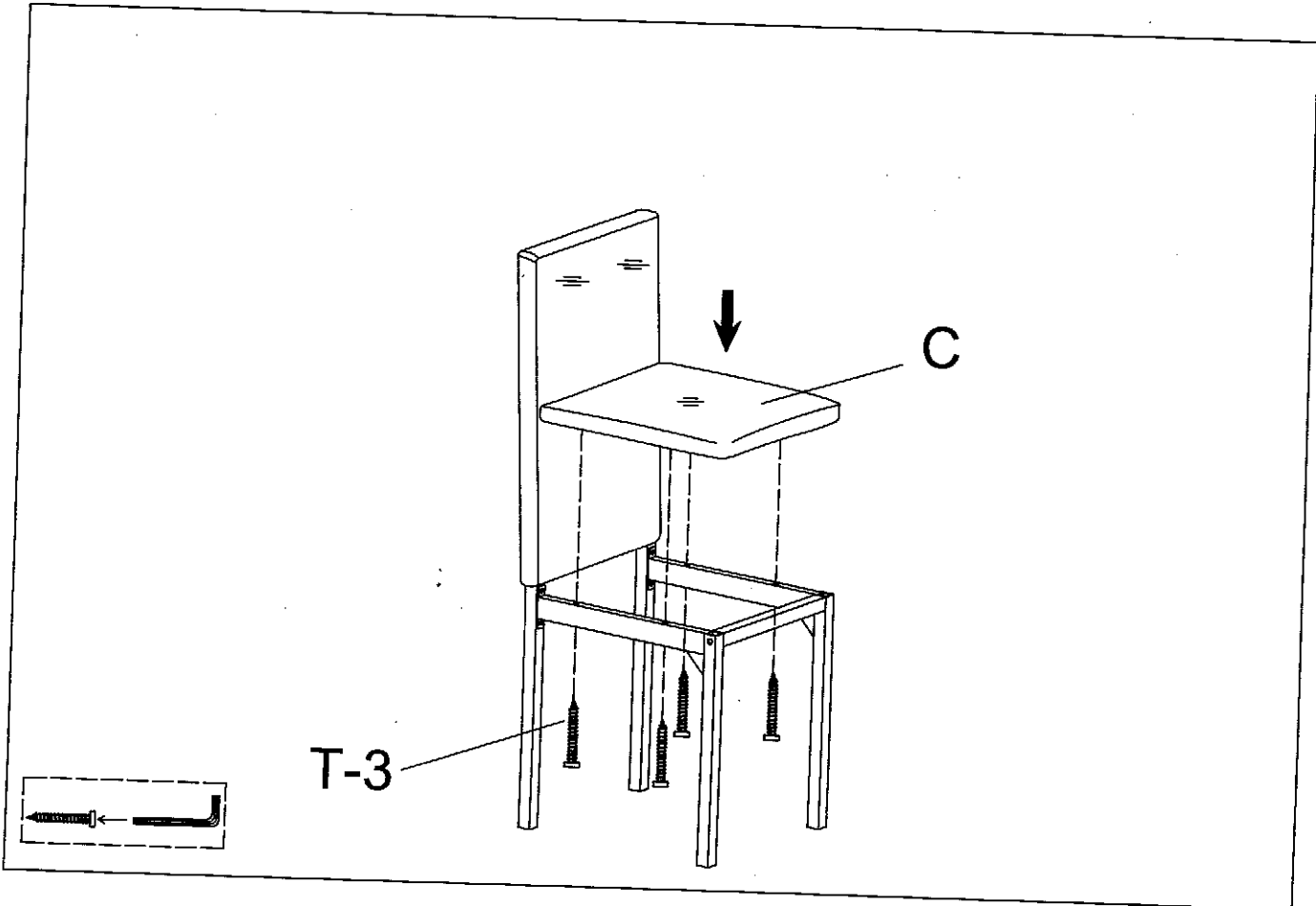
77005 3 77008



Step 2



Step 3



Step 4

