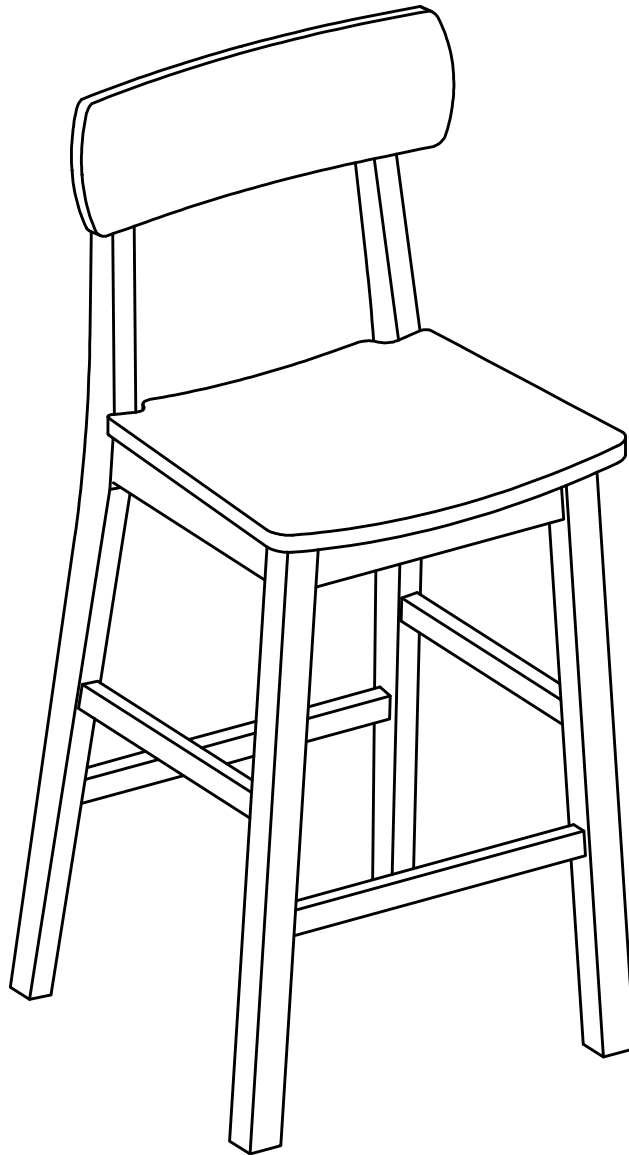




Boraam Industries

TORINO STOOL
ASSEMBLY INSTRUCTIONS





PLEASE READ ME FIRST



- Have questions about assembling your item?



- Item or parts damaged?



- Missing a part?



- We're here to help!



(847)949-6300 (M-F, 9am-5pm CST)

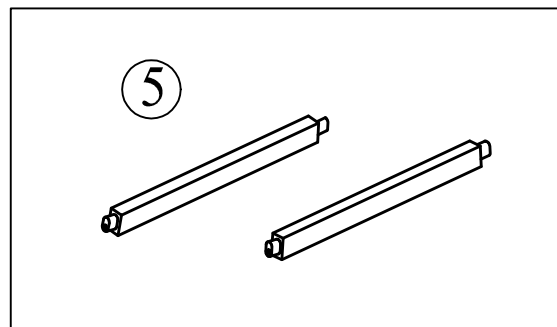
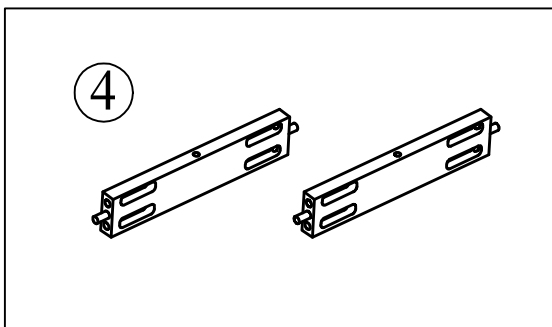
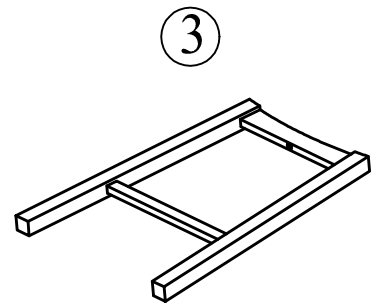
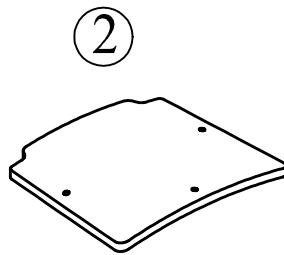
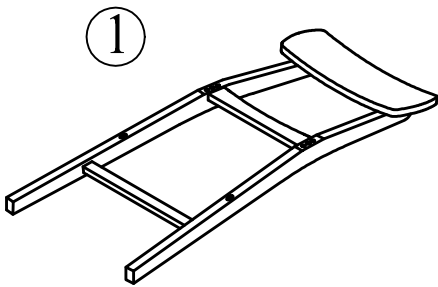
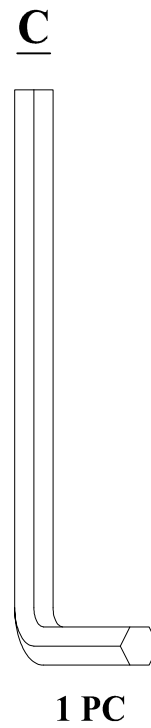
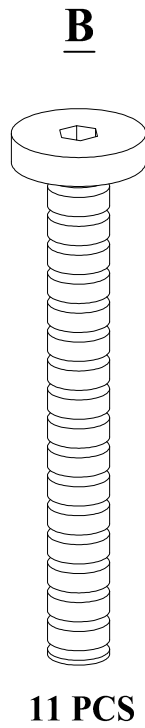
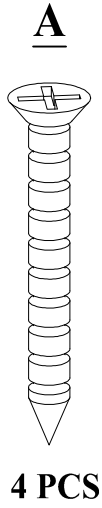


www.boraamindustries.com

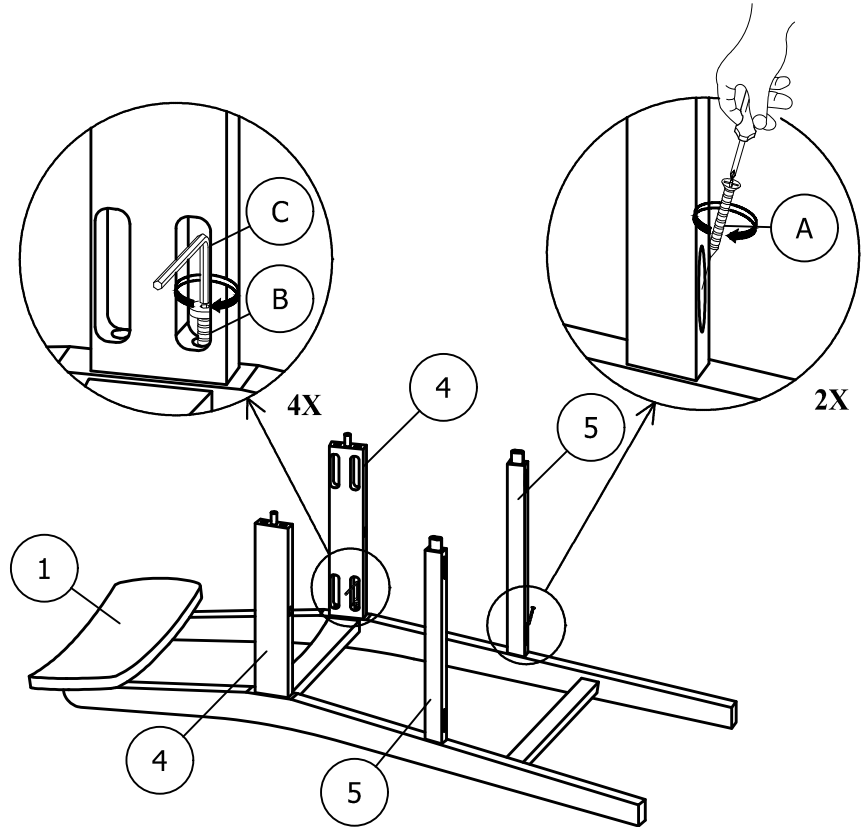
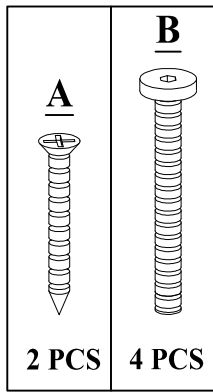


customerservice@boraamindustries.com

Phillips
Screwdriver
(Not provided)

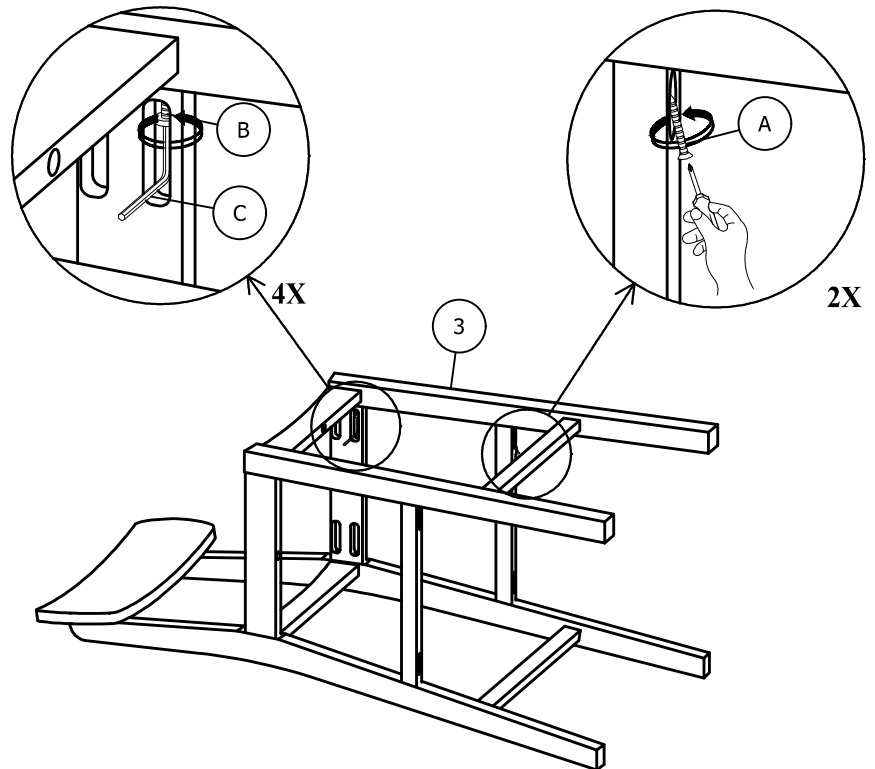
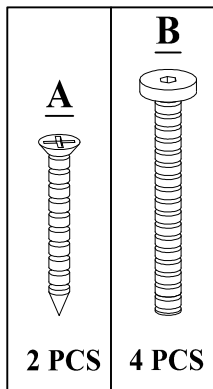


01



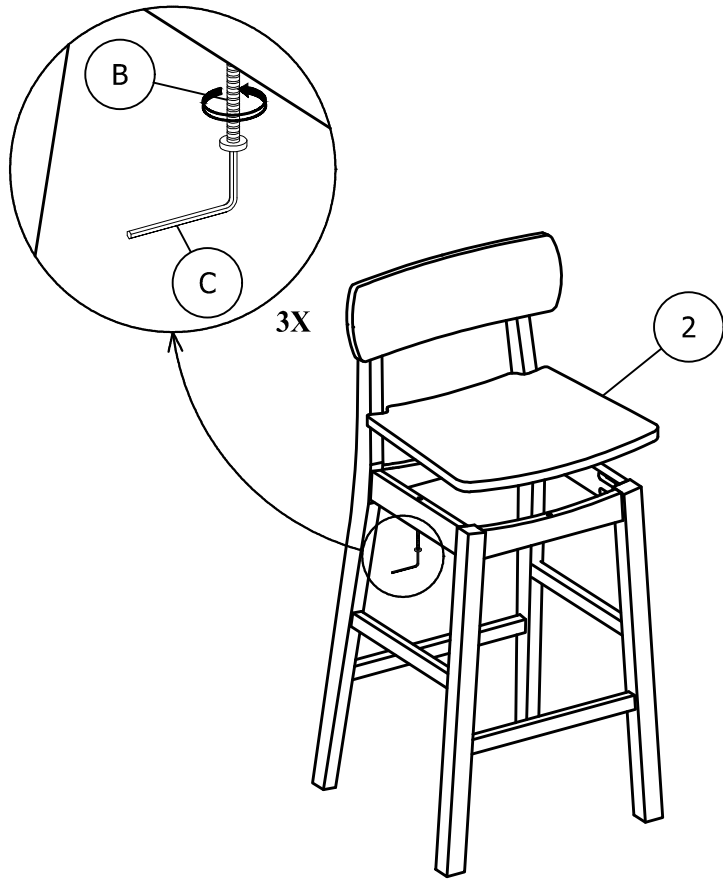
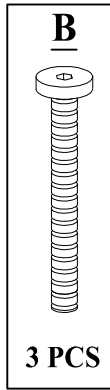
DO NOT TIGHTEN BOLT AND SCREW COMPLETELY.

02

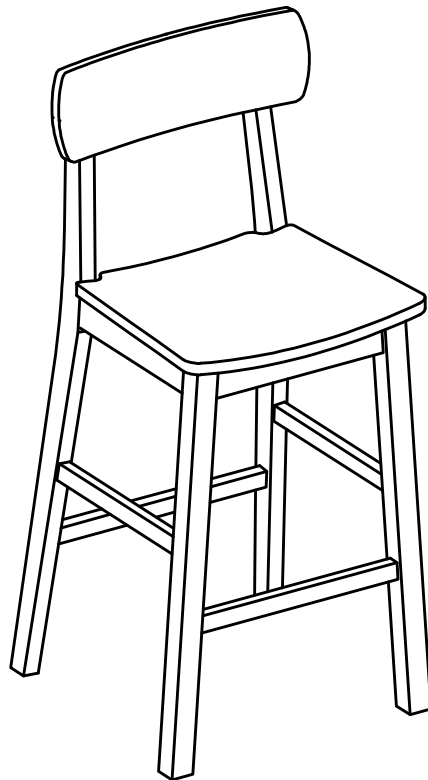


DO NOT TIGHTEN BOLT AND SCREW COMPLETELY.

03



TIGHTEN BOLT AND SCREW COMPLETELY.



BE SURE TO CHECK ALL BOLTS ARE SECURELY TIGHTENED PRIOR USING THIS STOOL.