

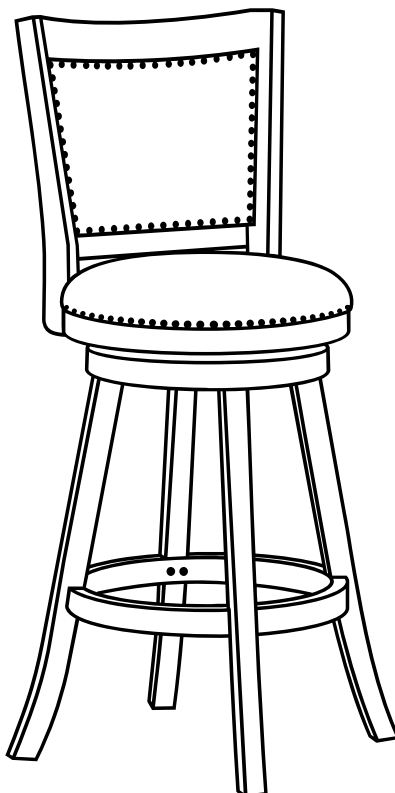


Boraam Industries

ASSEMBLY INSTRUCTIONS

SKU: 76624,76629,76524,76529,76224,76229

MELROSE SWIVEL STOOL



Have questions about assembling your item?



Items or parts damaged?



Missing a part?

We're here to help! (Monday-Friday from 9am-5pm CST)



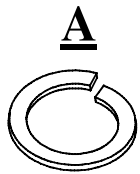
847-949-6300
877-267-2261



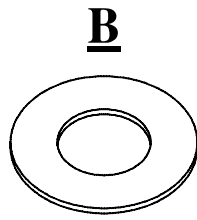
customerservice@
boraamindustries.com



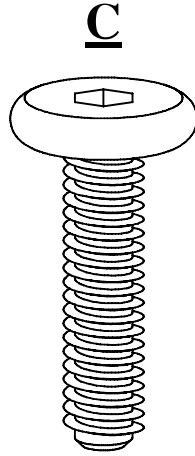
www.boraamindustries.com



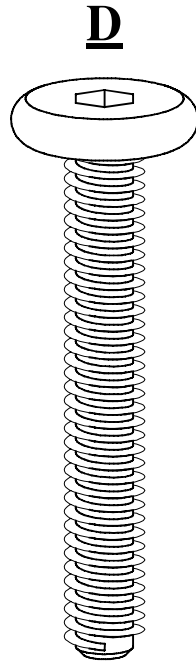
M6*10
22 PCS



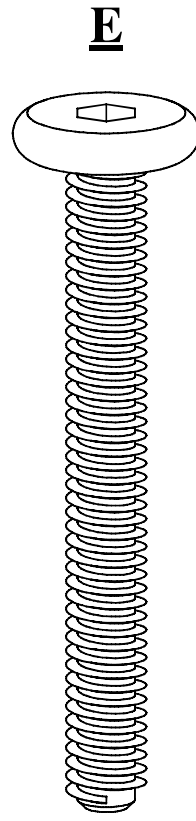
M6*16
26 PCS



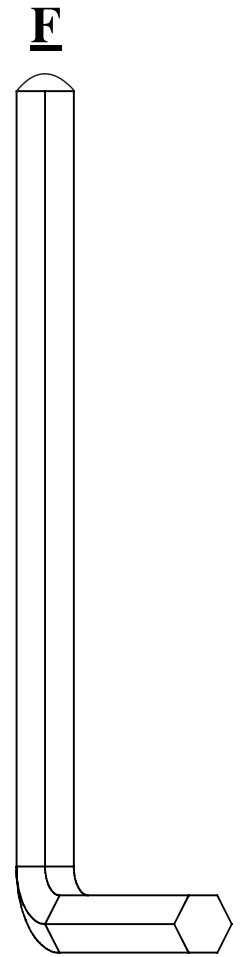
M6*25
4 PCS



M6*40
16 PCS

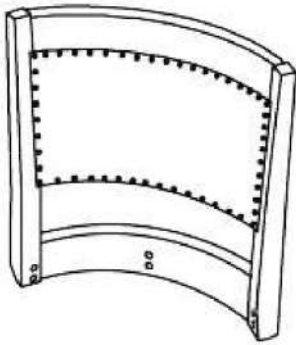


M6*50
6 PCS

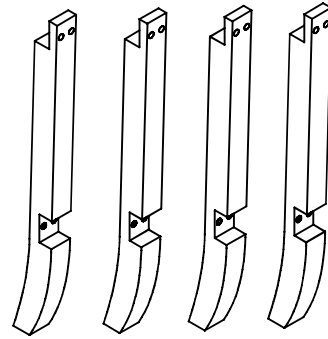


M4*110
1 PC

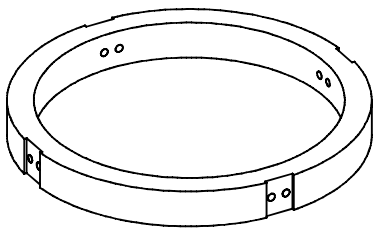
1



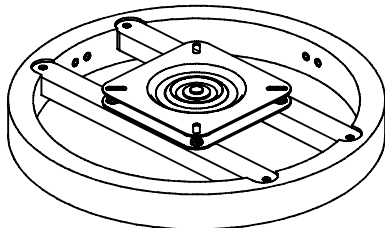
2



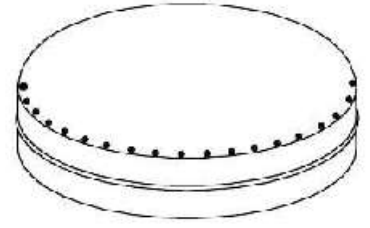
3



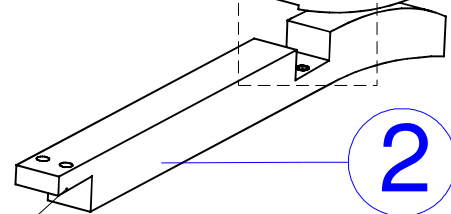
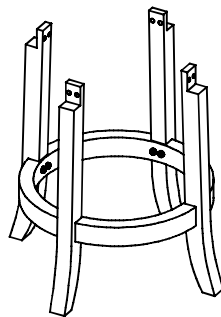
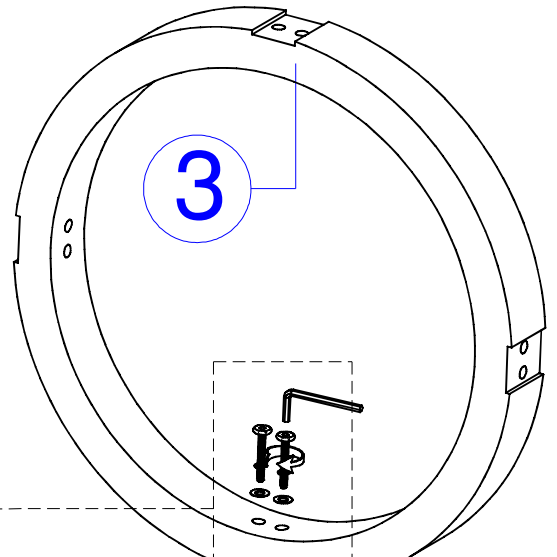
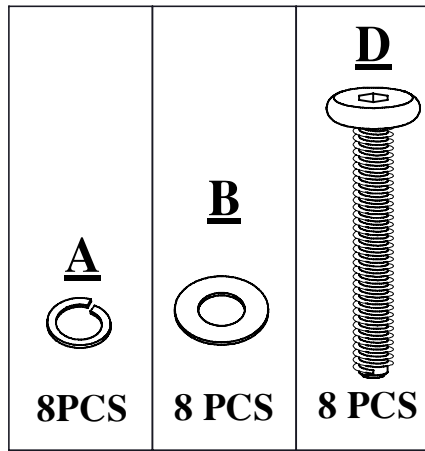
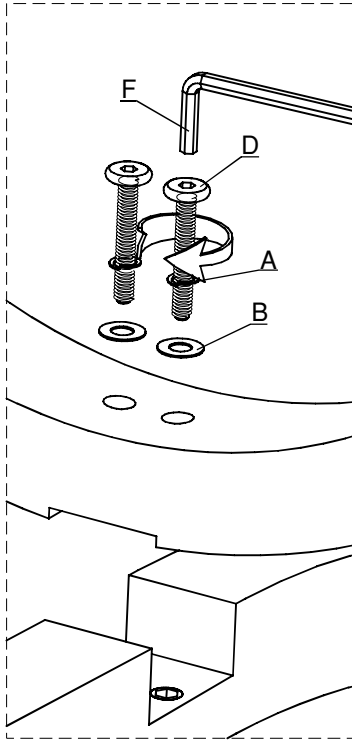
4



5



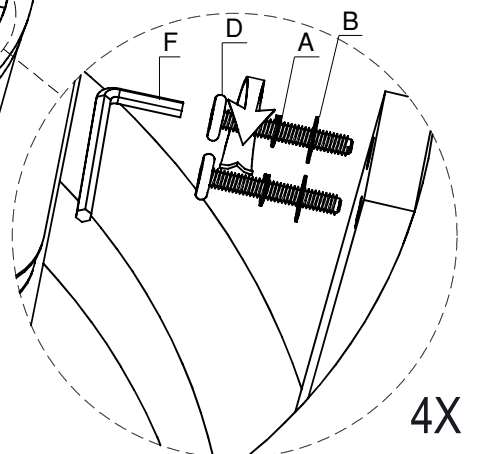
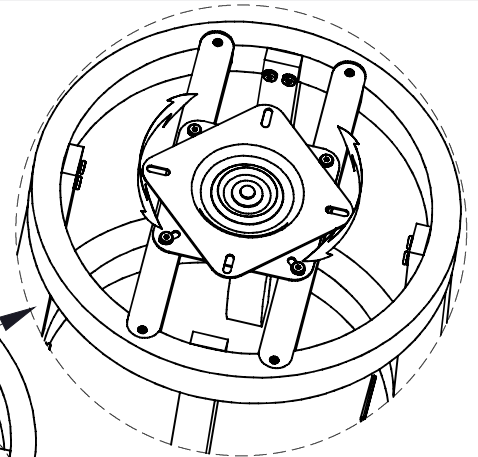
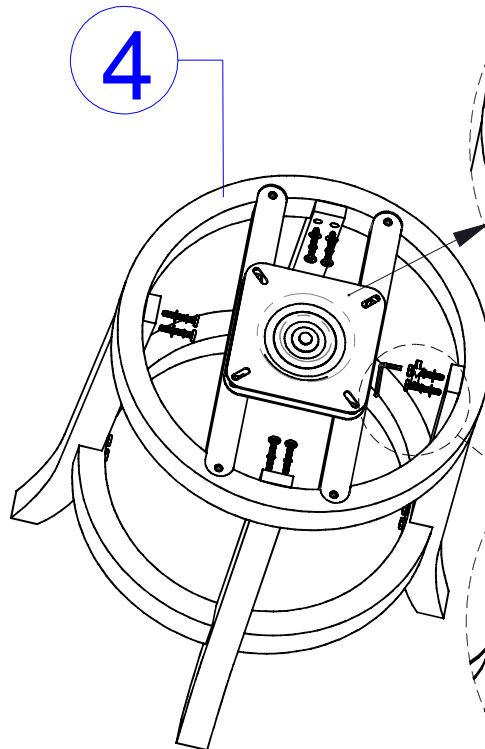
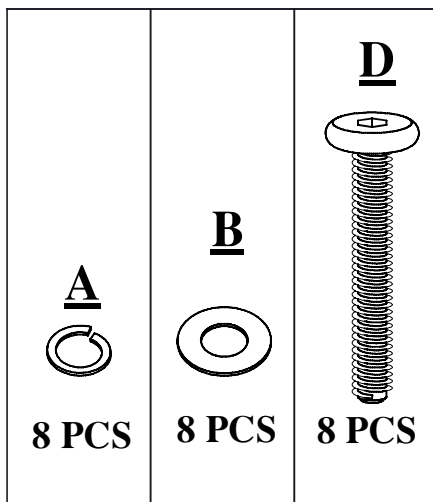
01



Please make sure that the protective metal kick plate from Footrest (Part #3) is facing upwards. Remove the white Tape from the protective metal kick plate before using.




DO NOT TIGHTEN BOLT COMPLETELY.

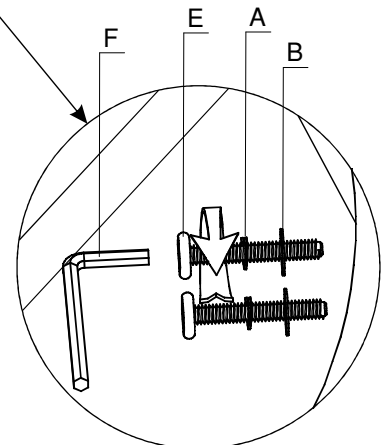
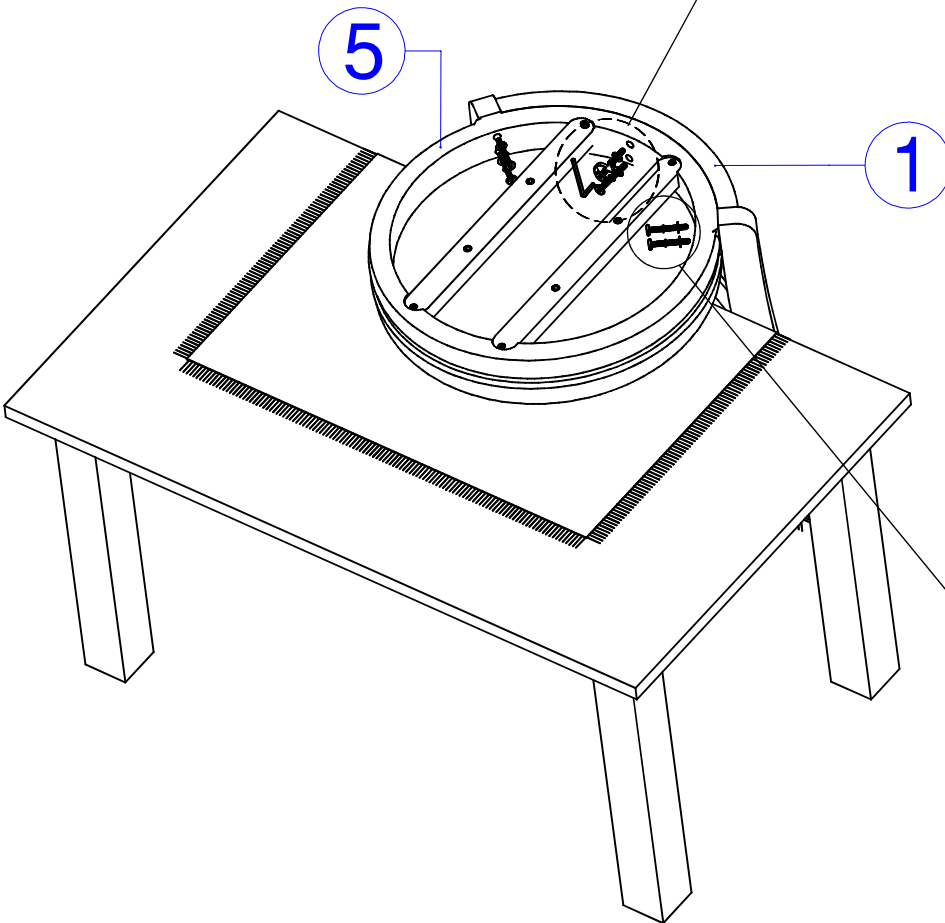
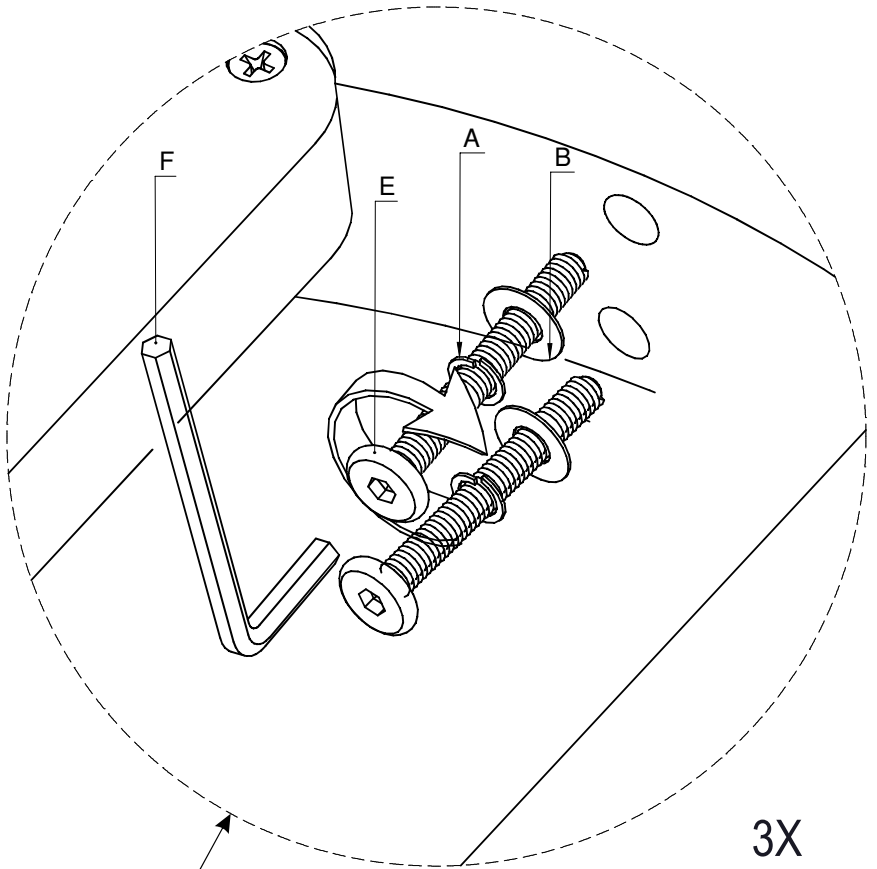
02



TIGHTEN BOLT COMPLETELY.

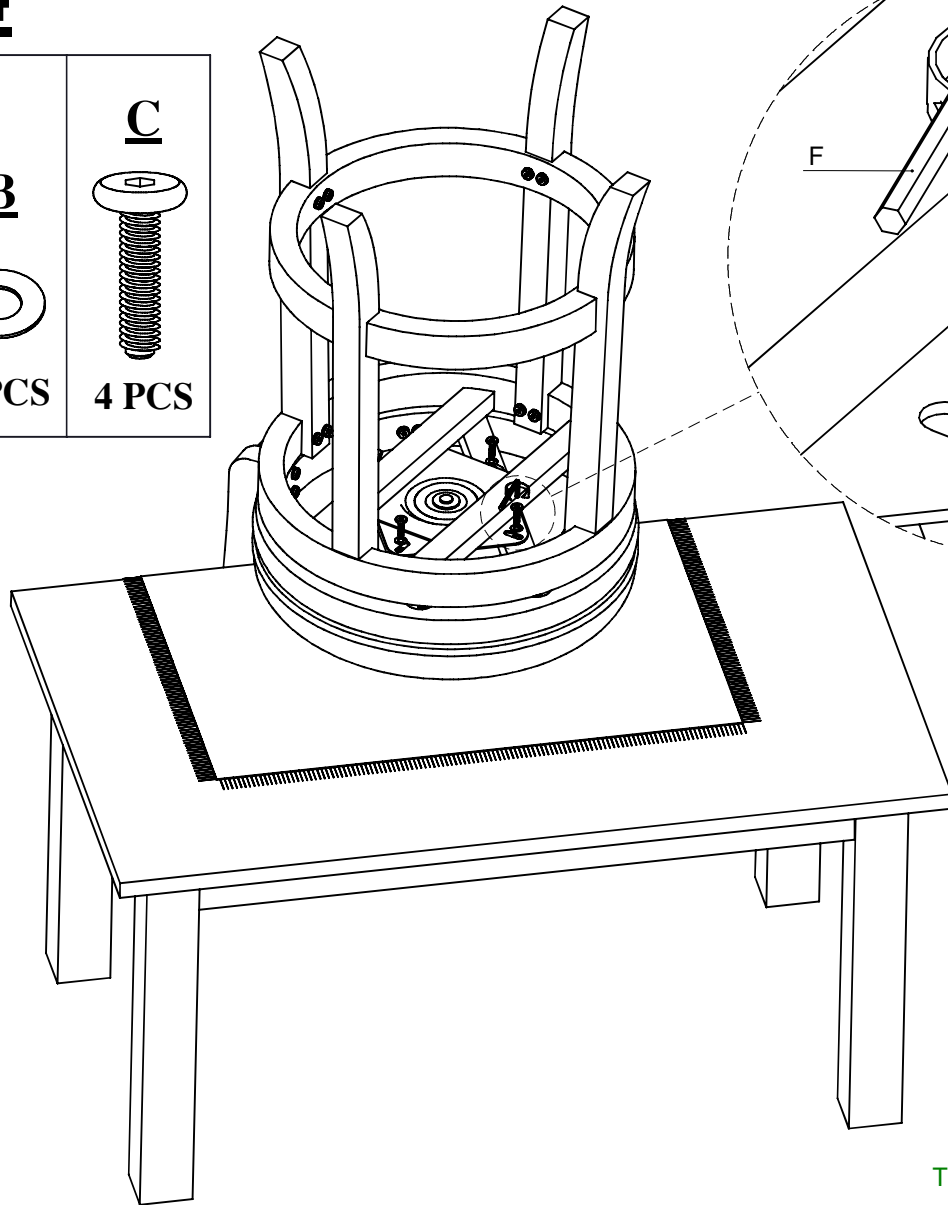
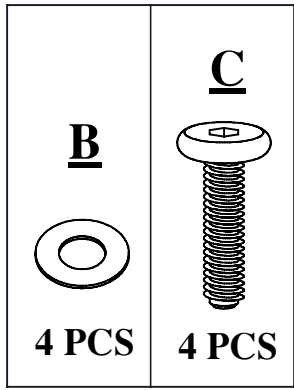
03

 A 6 PCS	 B 6 PCS	 E 6 PCS
---	---	---

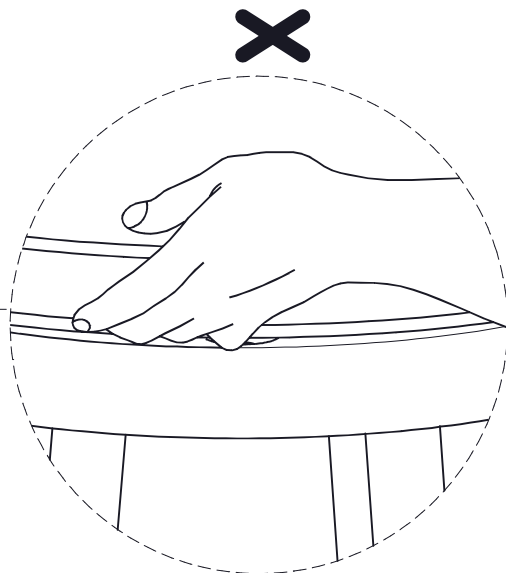
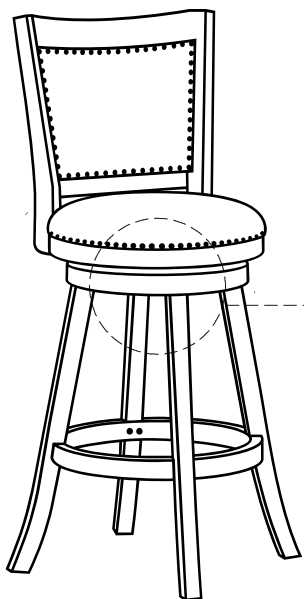


TIGHTEN BOLT COMPLETELY.

04



TIGHTEN BOLT COMPLETELY.



BE SURE TO CHECK ALL BOLTS ARE SECURELY TIGHTENED PRIOR USING THIS STOOL.

847-949-6300 | 877-267-2261 | customerservice@boraamindustries.com