

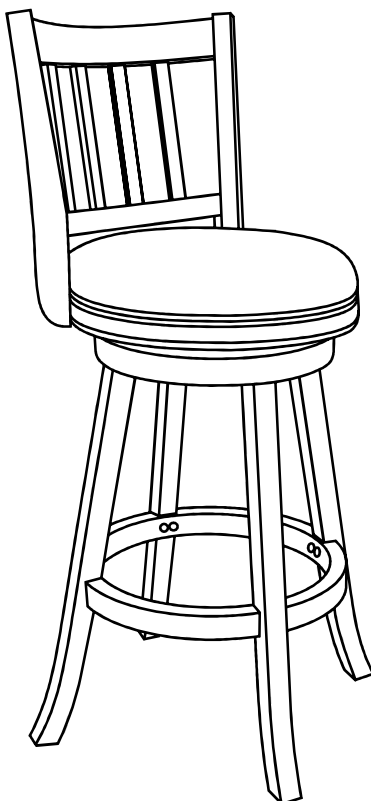


Boraam Industries

ASSEMBLY INSTRUCTIONS

SKU: 76324,76329,76424,76429

SHELDON SWIVEL STOOL



Have questions about assembling your item?



Items or parts damaged?



Missing a part?

We're here to help! (Monday-Friday from 9am-5pm CST)



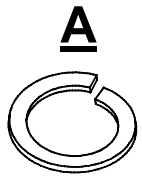
847-949-6300
877-267-2261



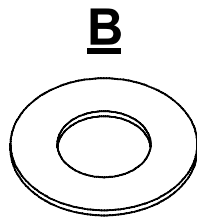
customerservice@
boraamindustries.com



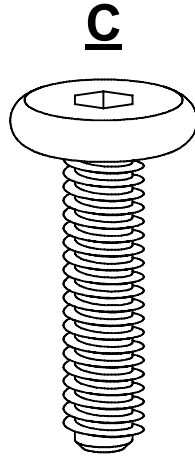
www.boraamindustries.com



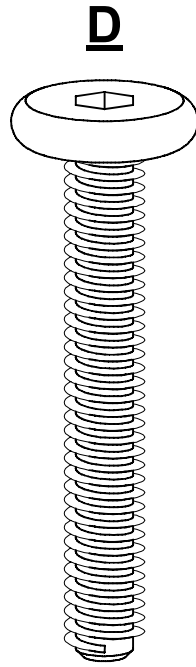
A
M6*10
22 PCS



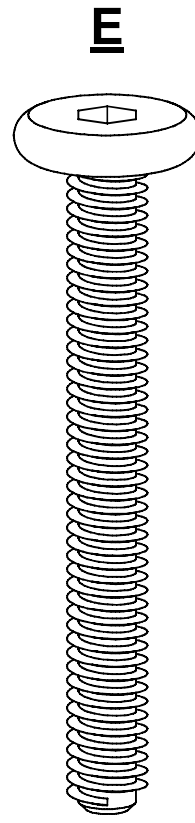
B
M6*16
26 PCS



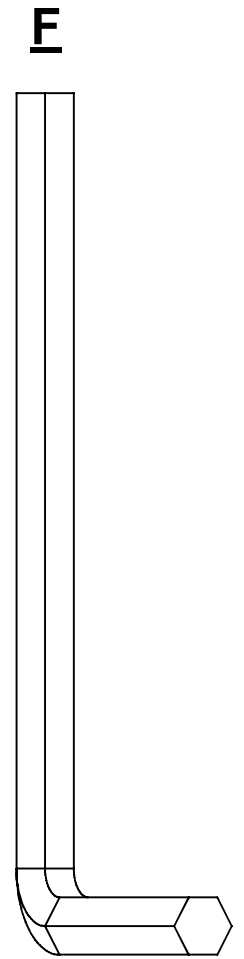
C
M6*25
4 PCS



D
M6*40
16 PCS



E
M6*50
6 PCS

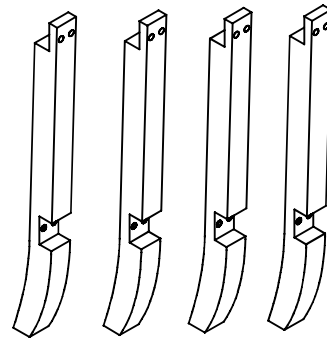


E
M4*110
1 PC

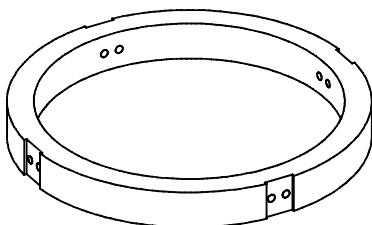
1



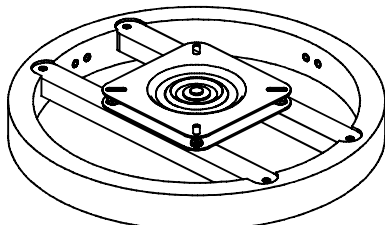
2



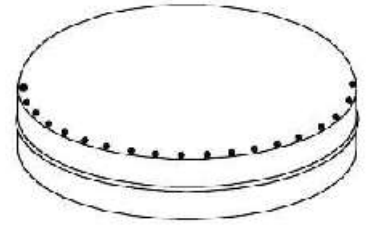
3



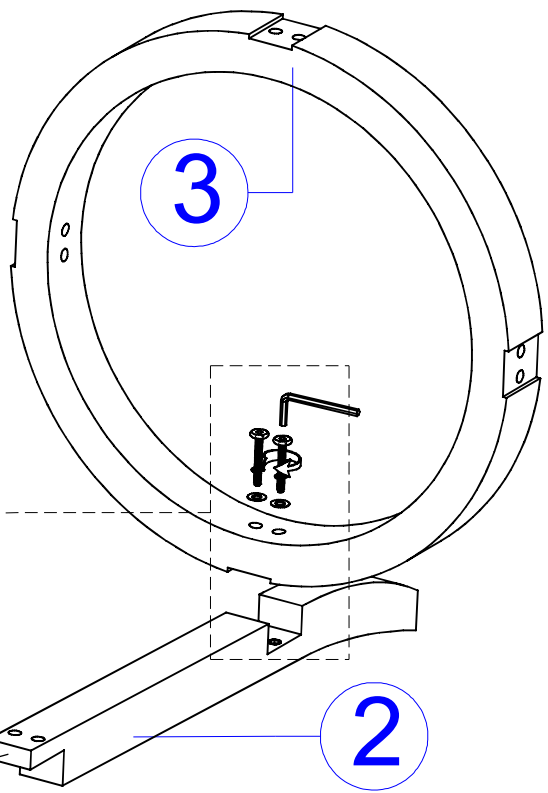
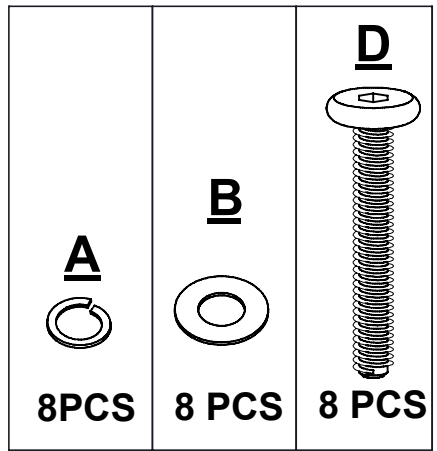
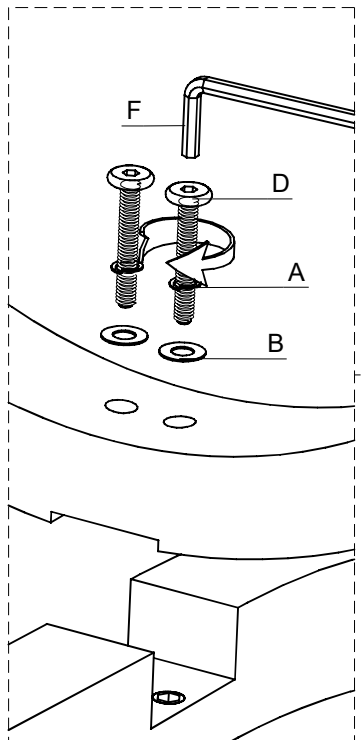
4



5



01

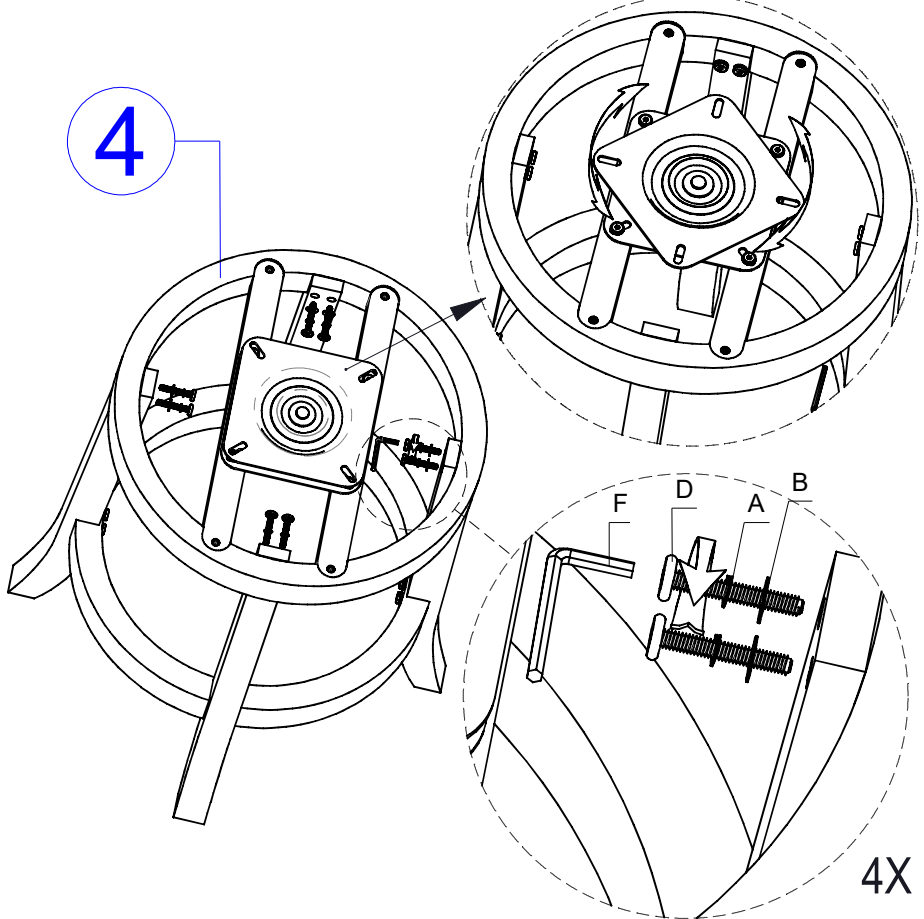
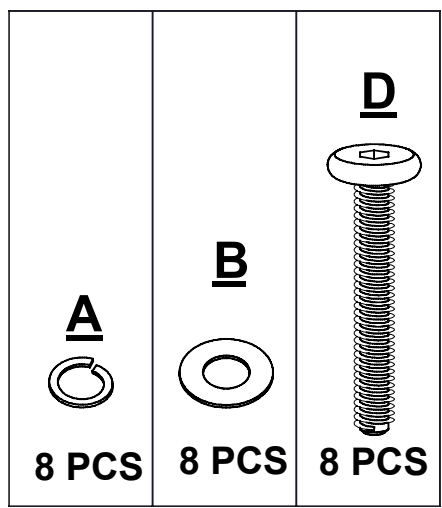


4X

DO NOT TIGHTEN BOLT COMPLETELY.

Please make sure that the protective metal kick plate from Footrest (Part #3) is facing upwards. Remove the white Tape from the protective metal kick plate before using.

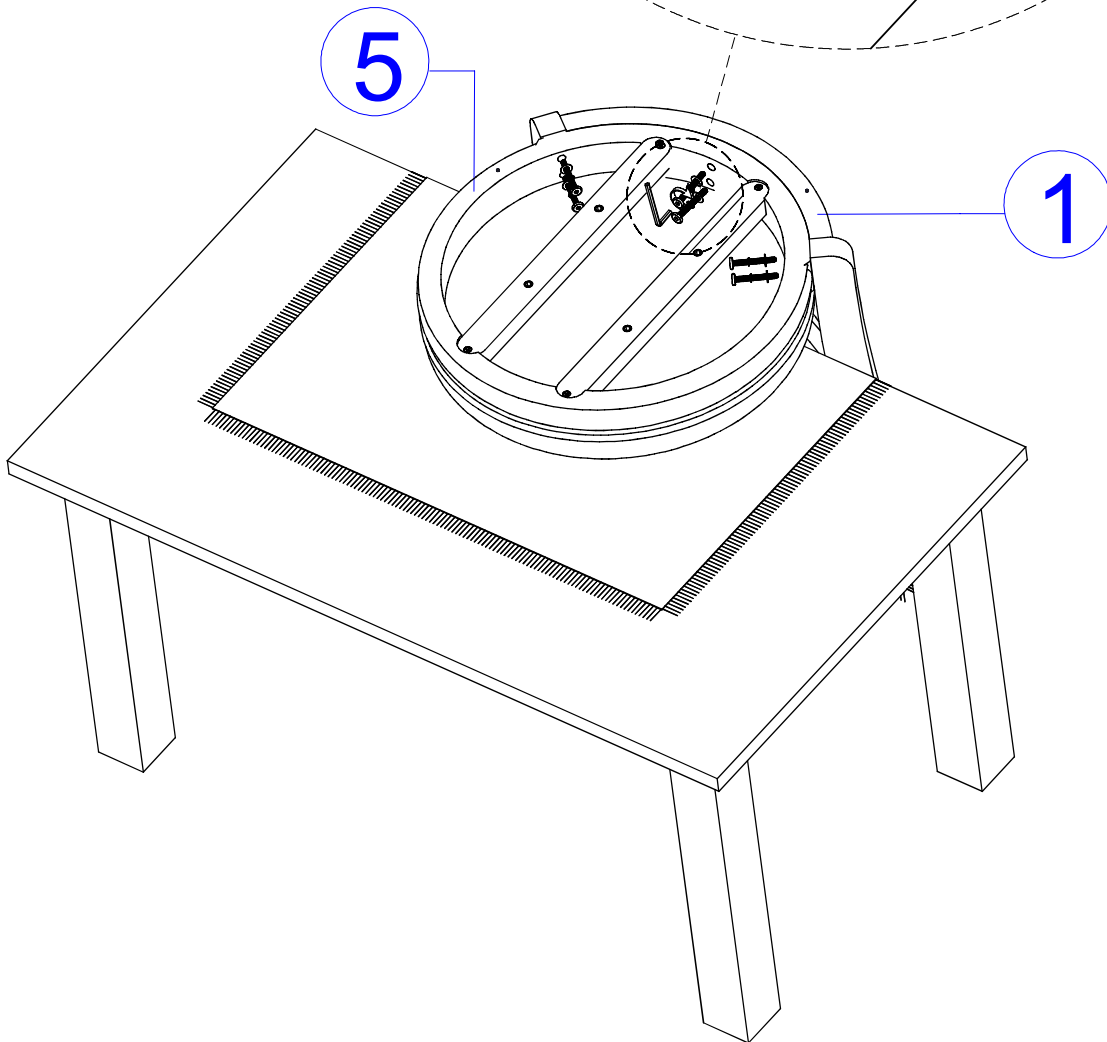
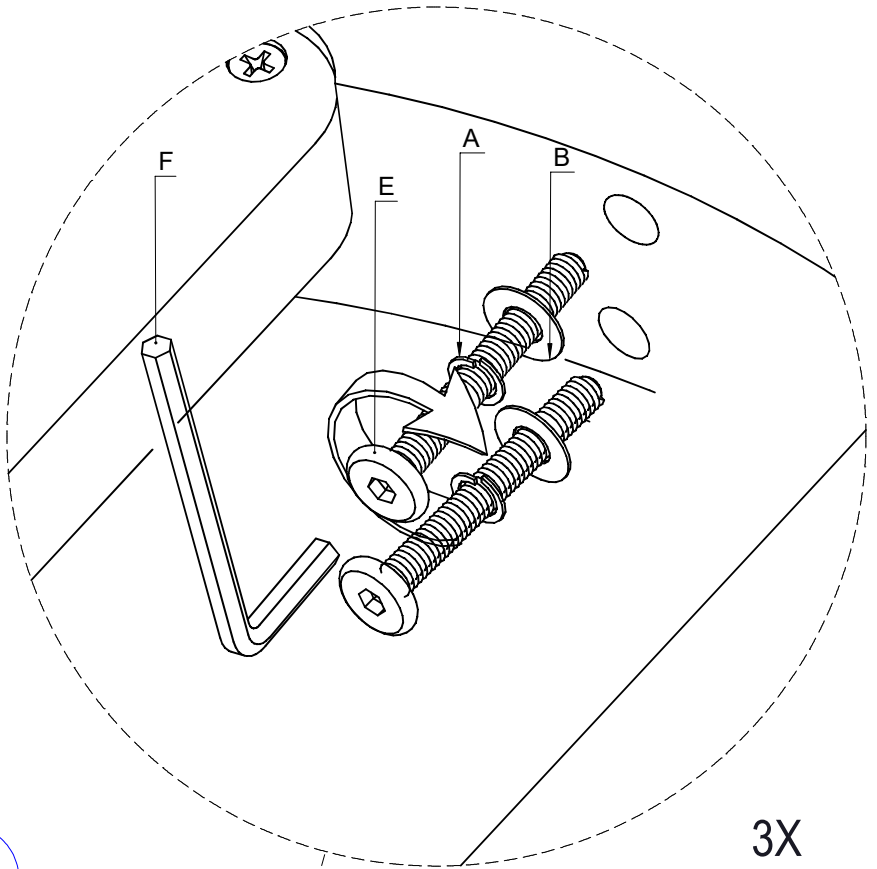
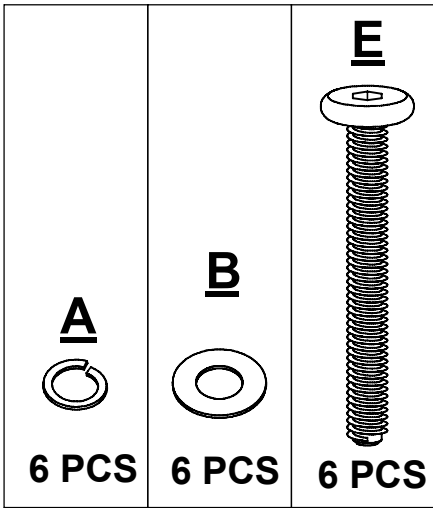
02



4X

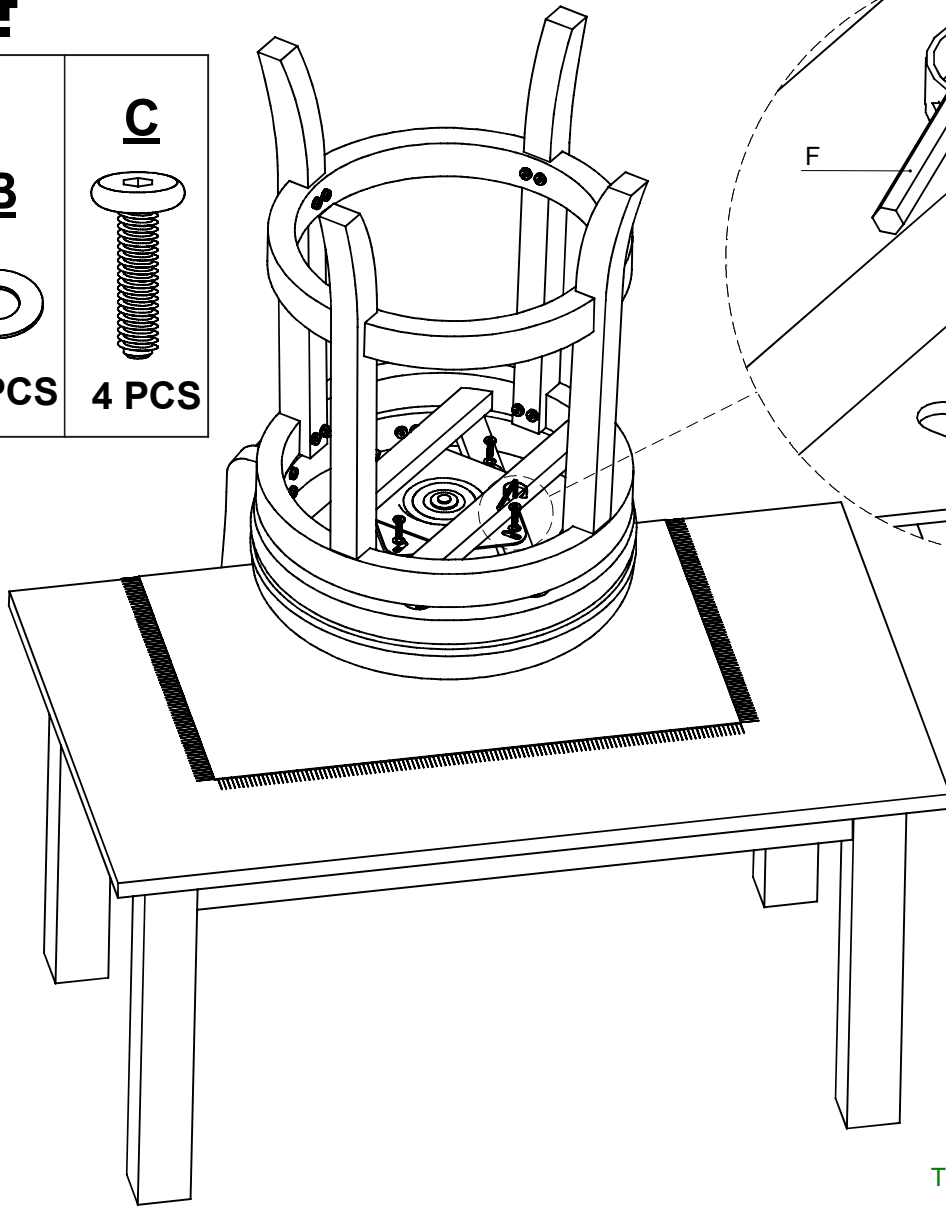
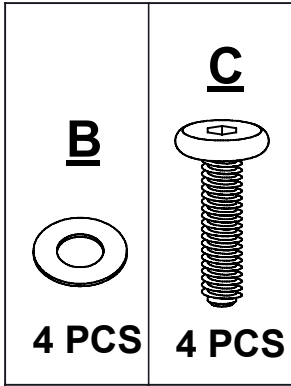
TIGHTEN BOLT COMPLETELY.

03

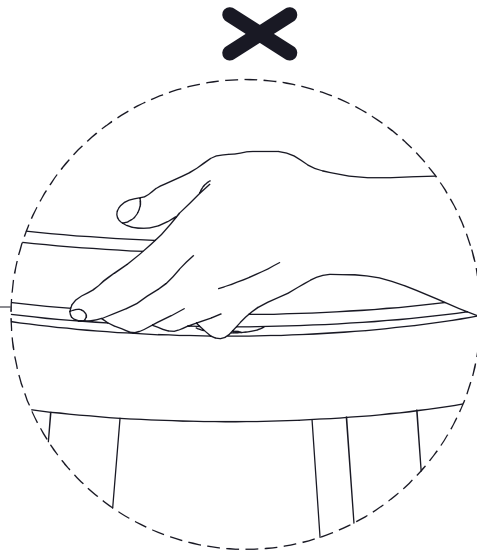
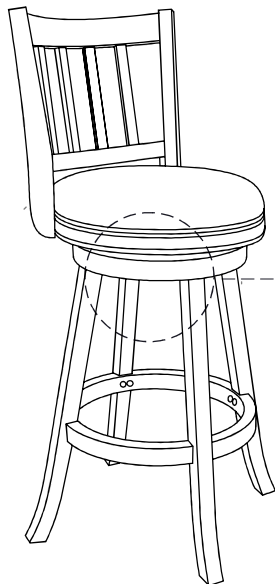


TIGHTEN BOLT COMPLETELY.

04



TIGHTEN BOLT COMPLETELY.



BE SURE TO CHECK ALL BOLTS ARE SECURELY TIGHTENED PRIOR USING THIS STOOL.

847-949-6300 | 877-267-2261 | customerservice@boraamindustries.com