

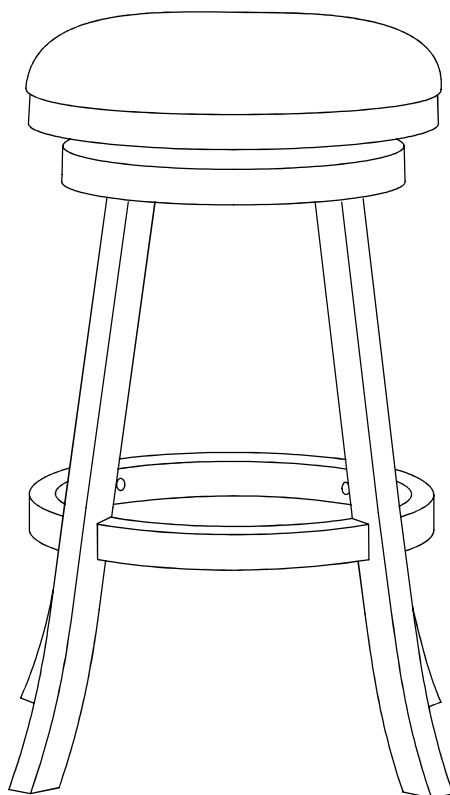


# Boraam Industries

ASSEMBLY INSTRUCTIONS

**SKU: 76024,76029,76124,76129**

## **FENTON SWIVEL STOOL**



Have questions about  
assembling your item?



Items or parts damaged?



Missing a part?

**We're here to help! (Monday-Friday from 9am-5pm CST)**



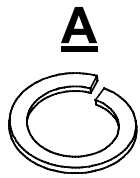
847-949-6300  
877-267-2261



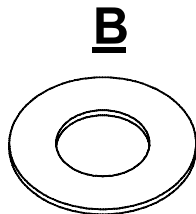
customerservice@  
boraamindustries.com



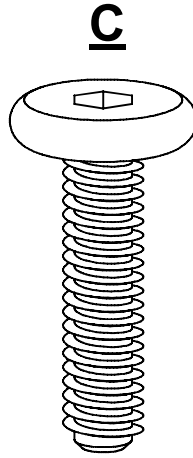
[www.boraamindustries.com](http://www.boraamindustries.com)



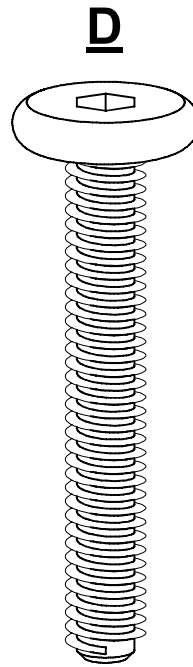
**M6\*10**  
**16 PCS**



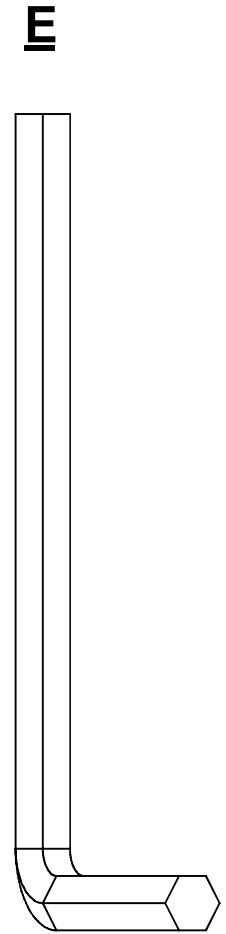
**M6\*16**  
**20 PCS**



**M6\*25**  
**4 PCS**

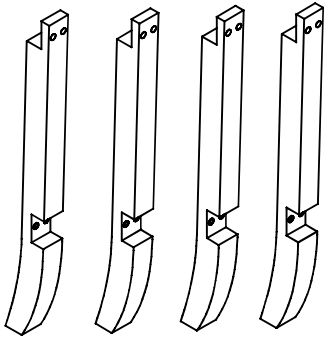


**M6\*40**  
**16 PCS**

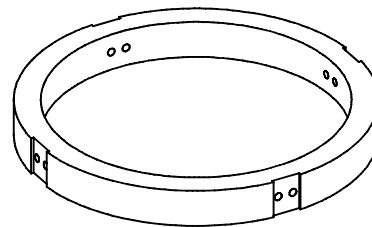


**M4\*110**  
**1 PC**

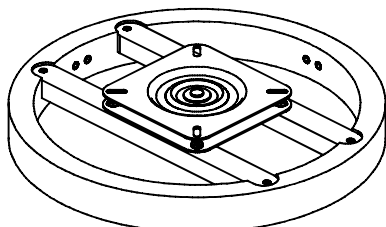
**1**



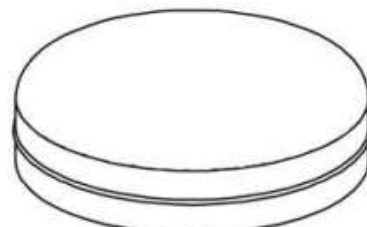
**2**



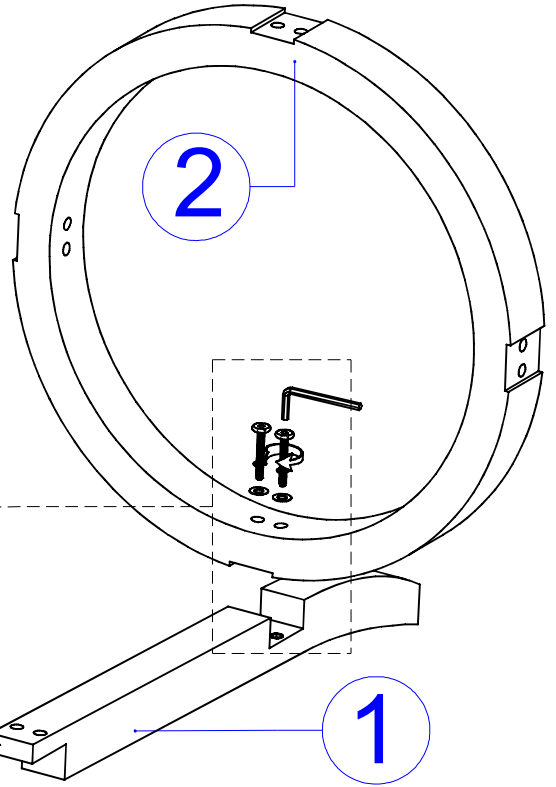
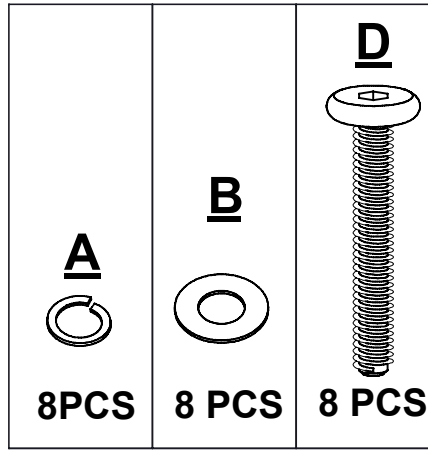
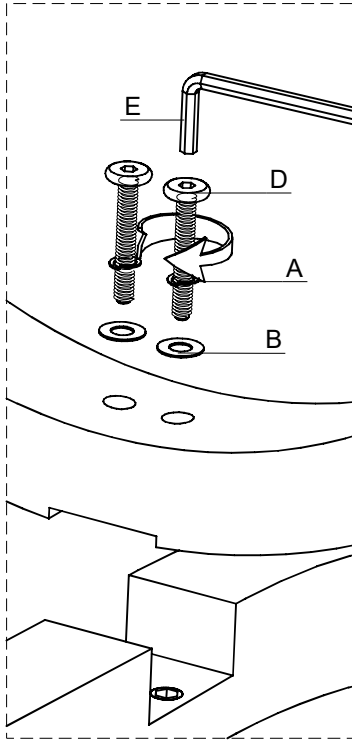
**3**



**4**



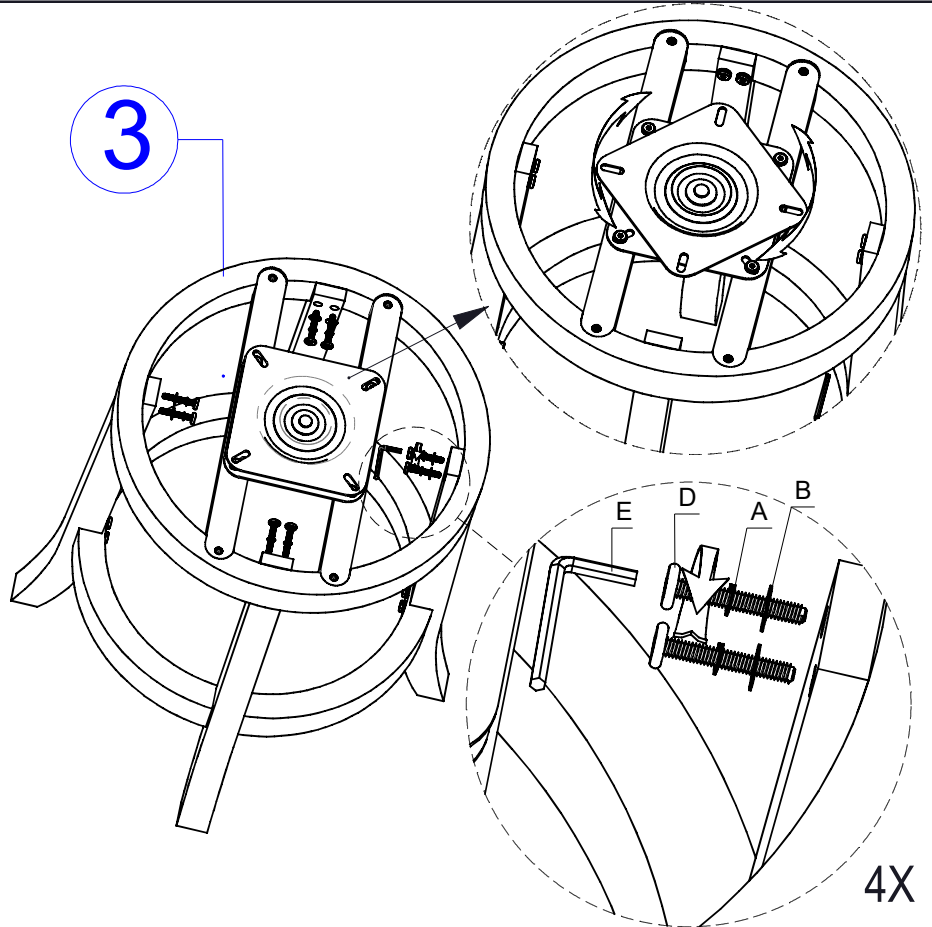
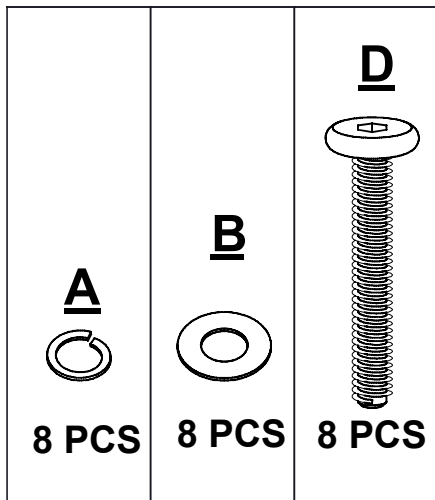
# 01



DO NOT TIGHTEN BOLT COMPLETELY.

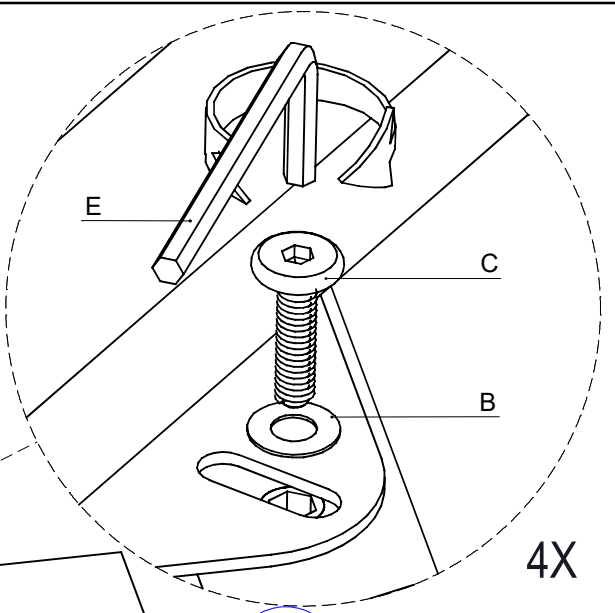
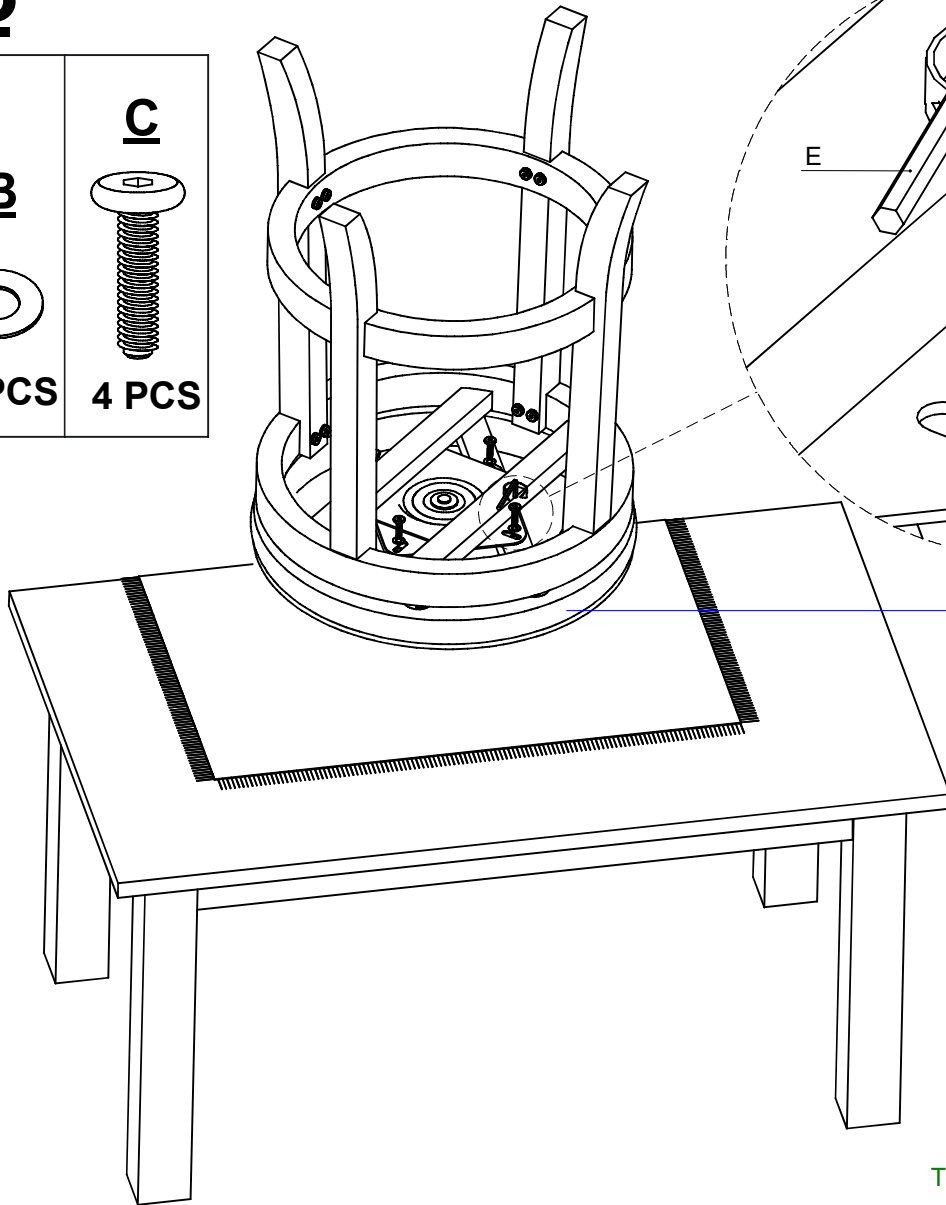
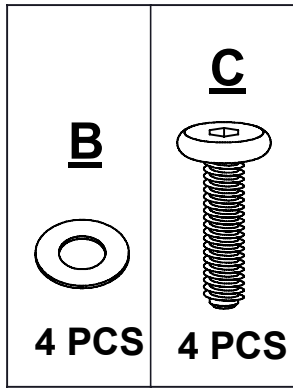
Please make sure that the protective metal kick plate from Footrest (Part #2) is facing upwards. Remove the white Tape from the protective metal kick plate before using.

# 02

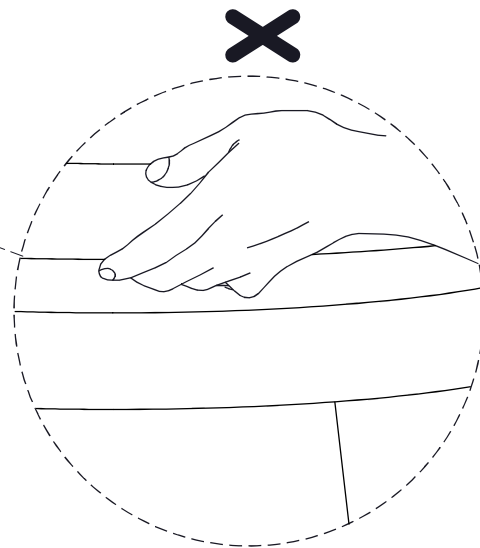
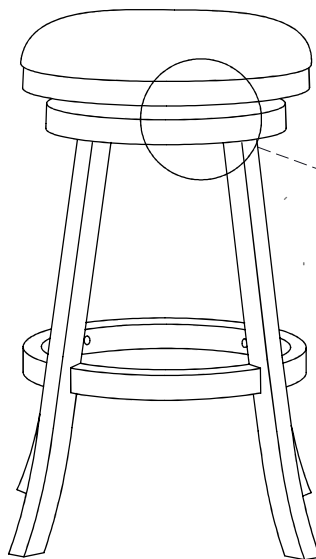


TIGHTEN BOLT COMPLETELY.

# 03



TIGHTEN BOLT COMPLETELY.



BE SURE TO CHECK ALL BOLTS ARE SECURELY TIGHTENED PRIOR USING THIS STOOL.