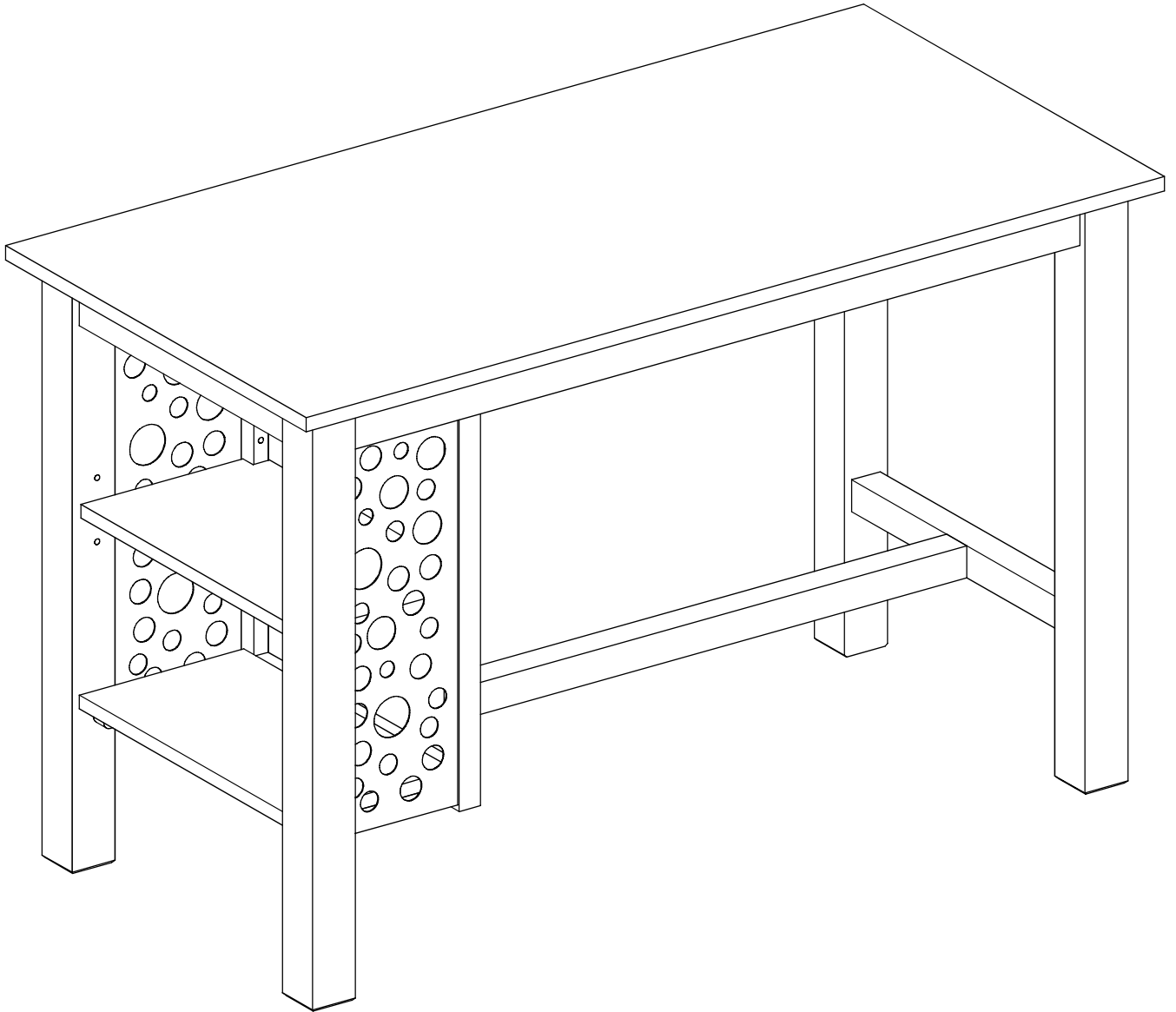




*Boraam Industries*

**BRITTANY DINING TABLE**

ASSEMBLY INSTRUCTIONS





PLEASE READ ME FIRST



- Have questions about assembling your item?



- Item or parts damaged?



- Missing a part?



- We're here to help!



(847)949-6300 (M-F, 9am-5pm CST)



[www.boraamindustries.com](http://www.boraamindustries.com)



[customerservice@boraamindustries.com](mailto:customerservice@boraamindustries.com)

Phillips  
Screwdriver  
(Not provided)



**A**



Spring Washer  
8 PCS

**B**



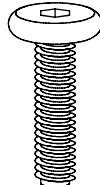
Flat Washer  
8 PCS

**C**



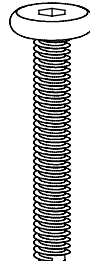
Hinge  
4 PCS

**D**



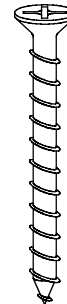
M6\*40  
6 PCS

**E**



M8\*70  
8 PCS

**E**



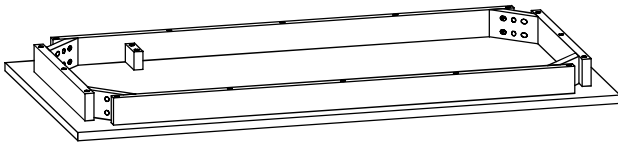
M4\*50  
4 PCS

**G**

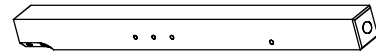


1 PC

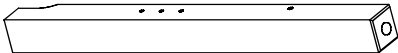
1



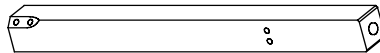
2



3



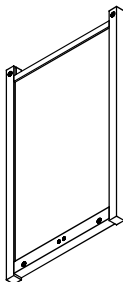
4



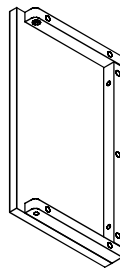
5



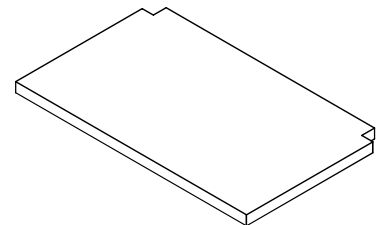
6



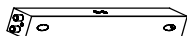
7



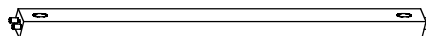
8



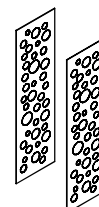
9



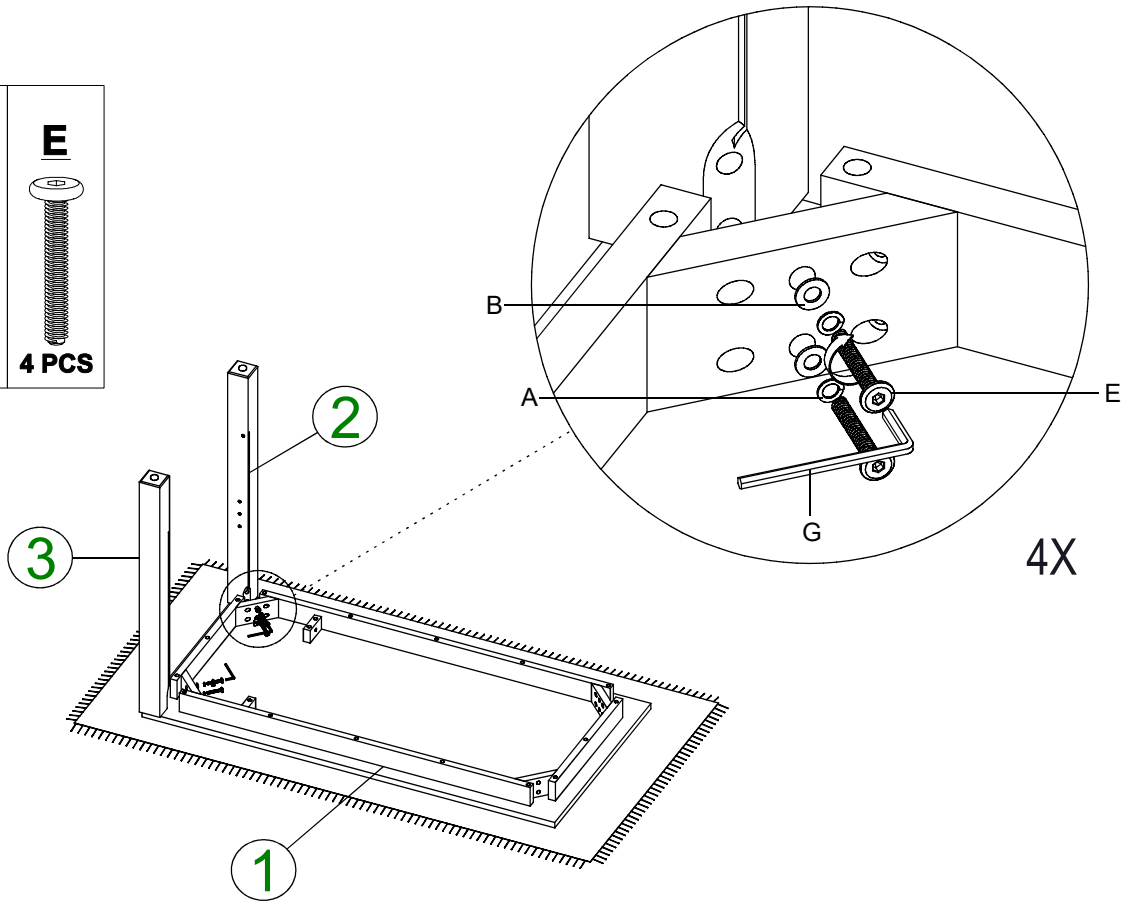
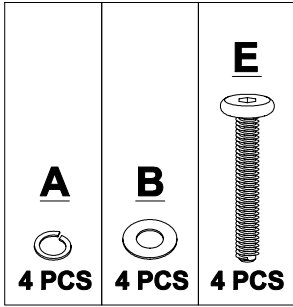
10



11

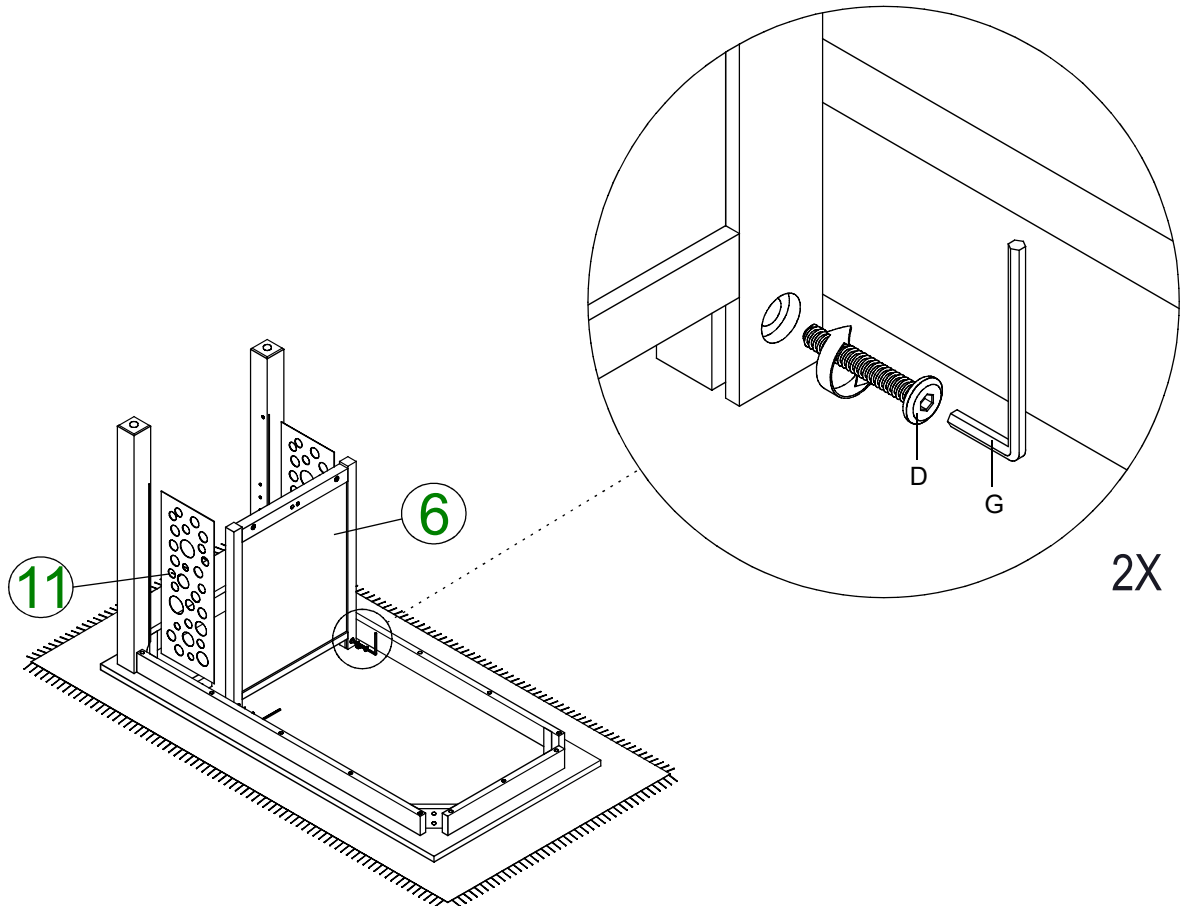
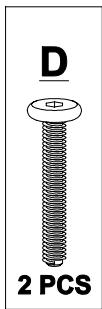


# 01



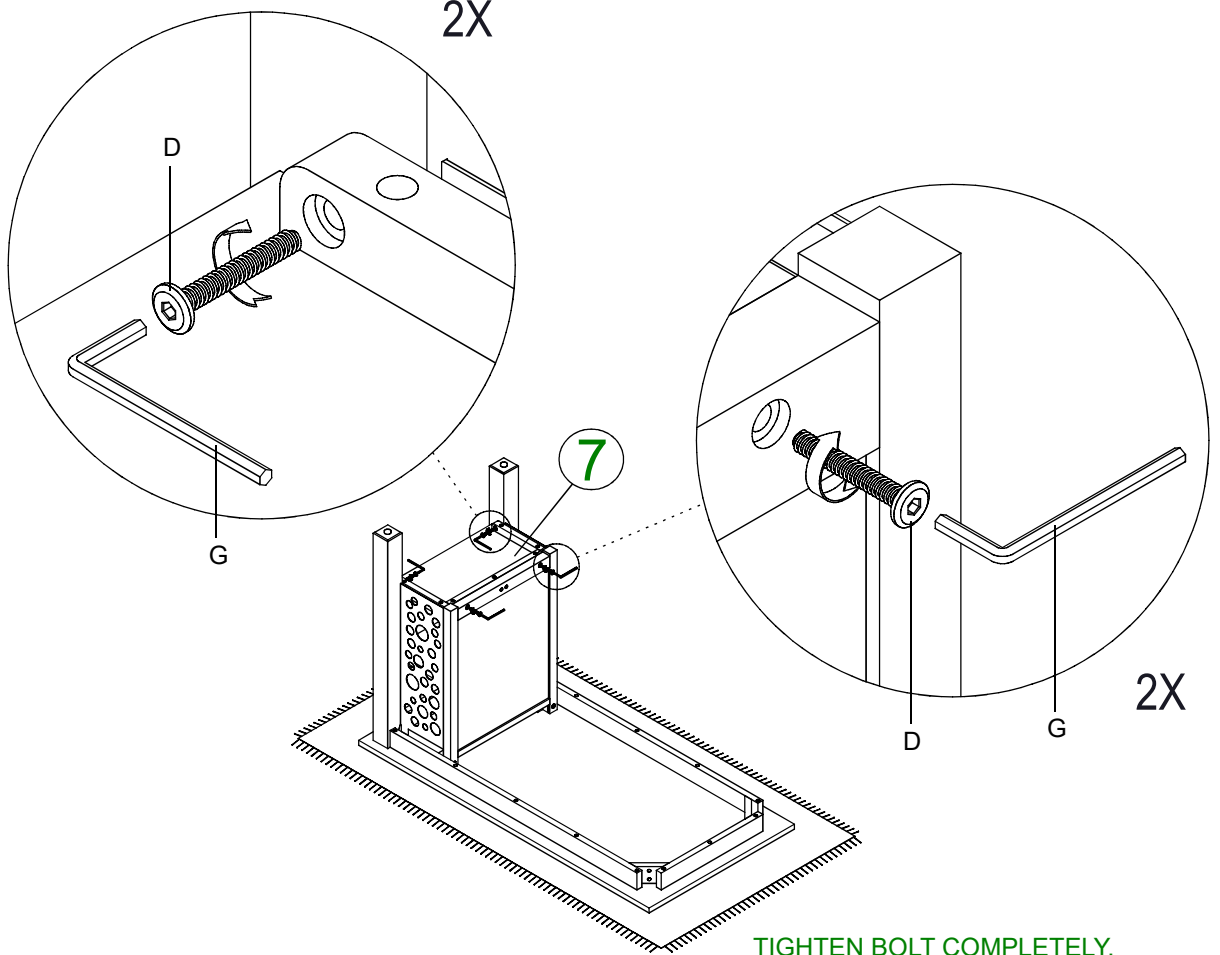
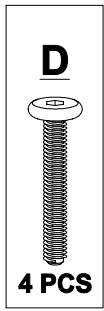
DO NOT TIGHTEN BOLT COMPLETELY.

# 02

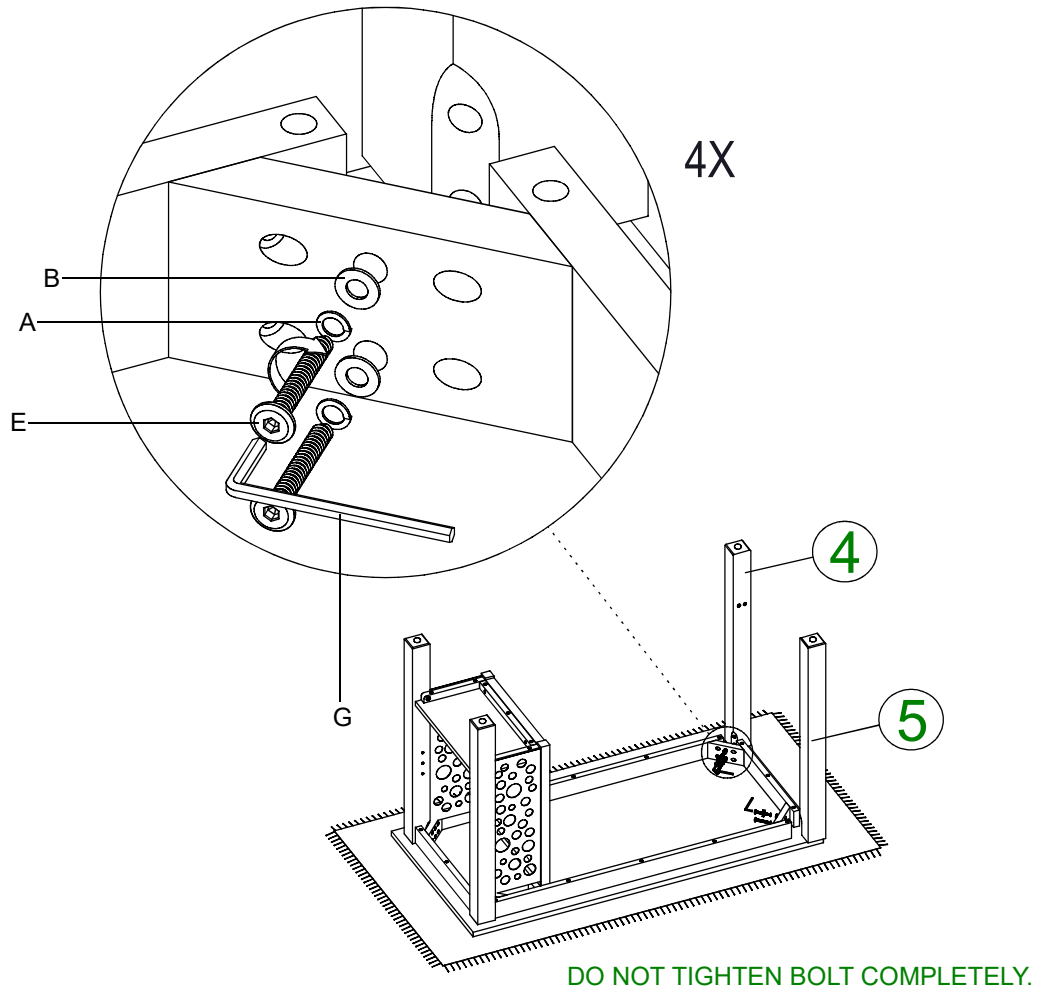
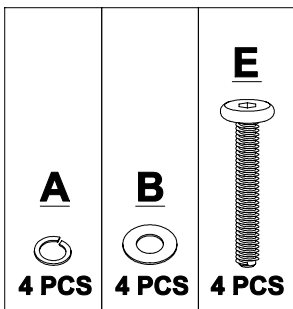


DO NOT TIGHTEN BOLT COMPLETELY.

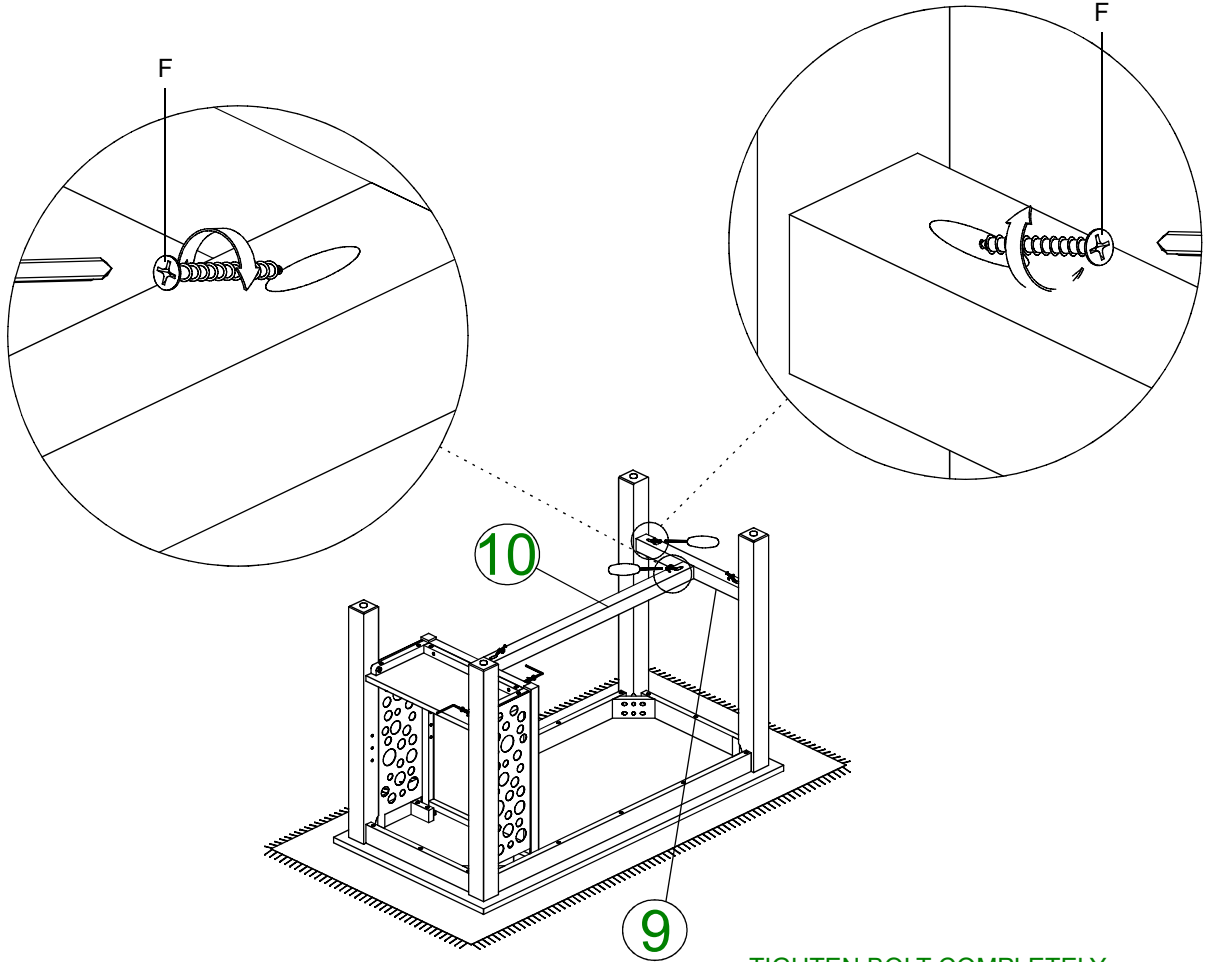
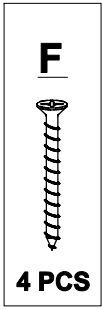
# 03



# 04

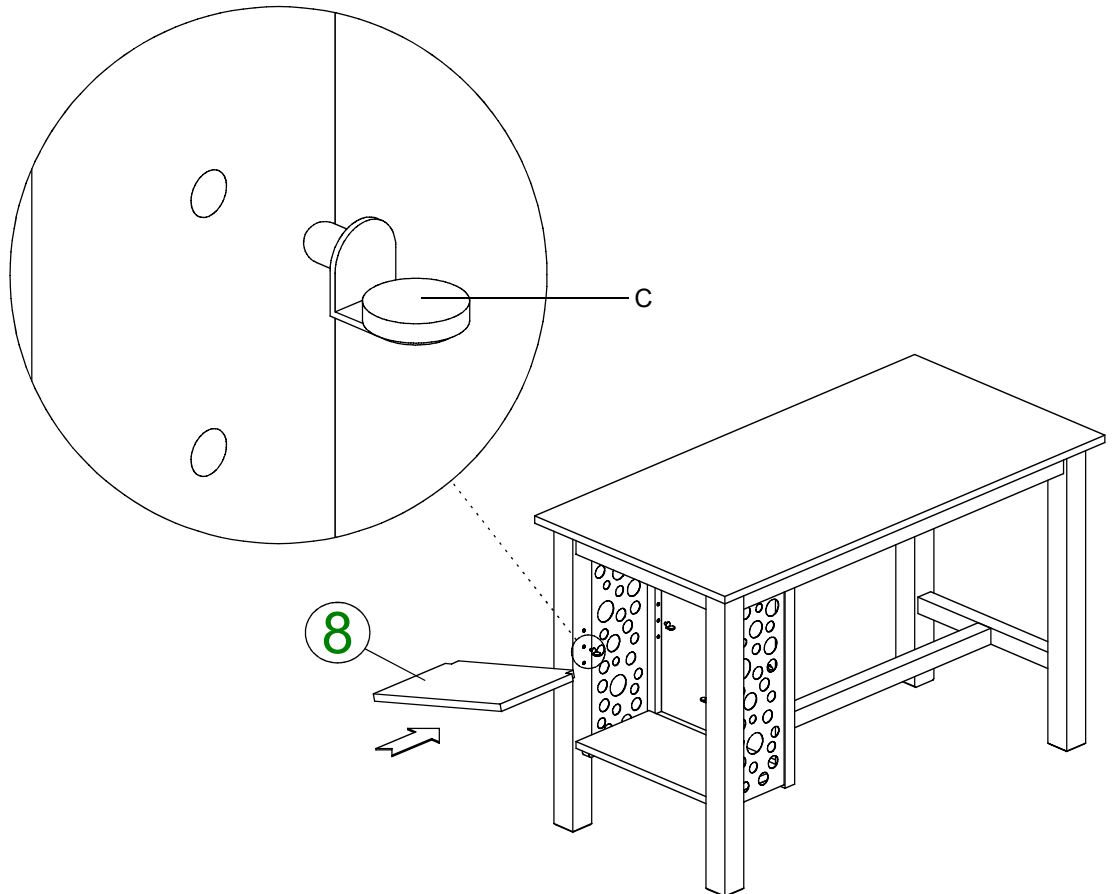


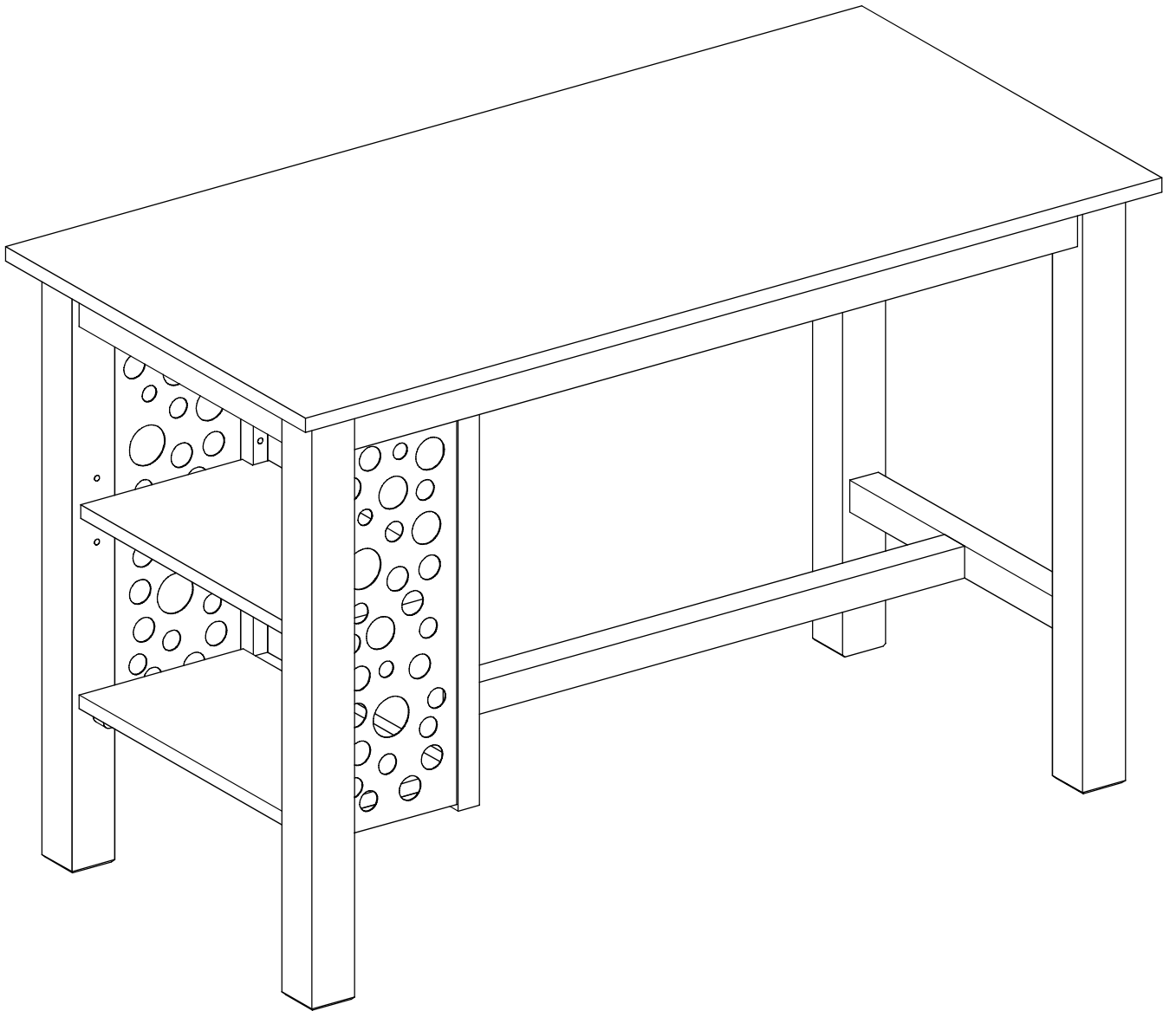
# 05



TIGHTEN BOLT COMPLETELY.

# 06





BE SURE TO CHECK ALL BOLTS ARE SECURELY  
TIGHTENED PRIOR USING THIS TABLE.



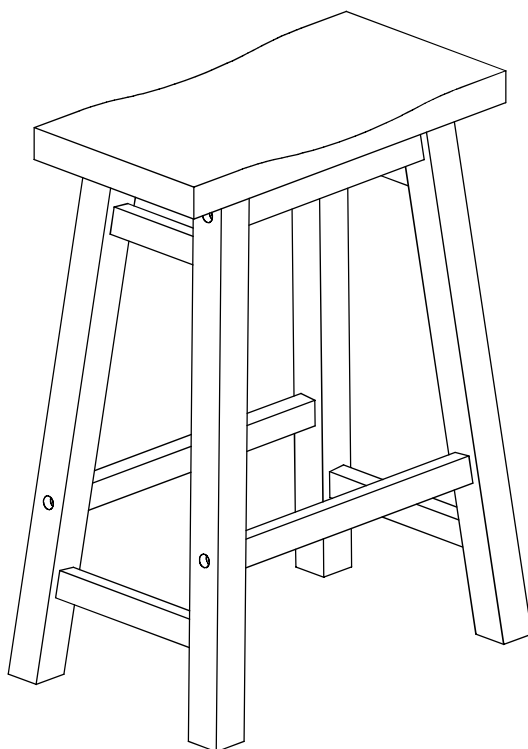
# Boraam Industries

ASSEMBLY INSTRUCTIONS

**SKU: 75024,75029,75124,75129,75224,75229**

**75524,75529,75624,75629,75324,75329,75318**

## SONOMA SADDLE STOOL



Have questions about assembling your item?



Items or parts damaged?



Missing a part?

**We're here to help! (Monday-Friday from 9am-5pm CST)**



847-949-6300  
877-267-2261



customerservice@  
boraamindustries.com

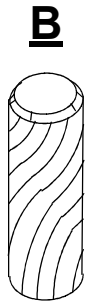


www.boraamindustries.com

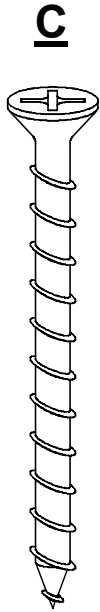




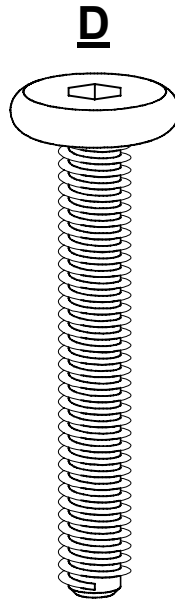
Wood Nut  
8 PCS



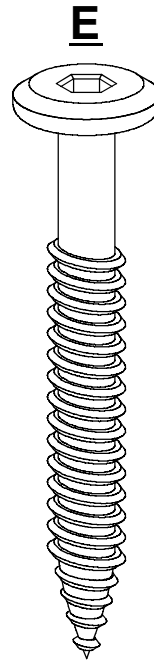
Wood Dowel  
2 PCS



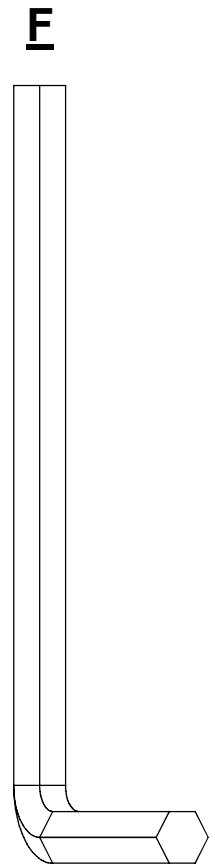
M4\*40  
8 PCS



M6\*40  
4 PCS

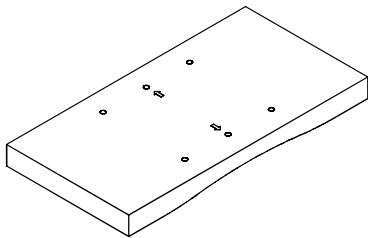


M6\*50  
8 PCS

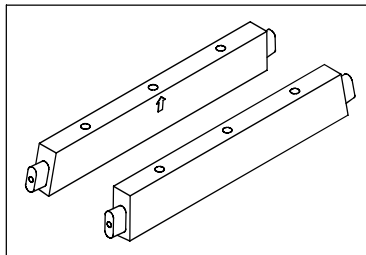


1 PC

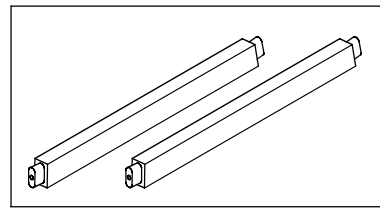
1



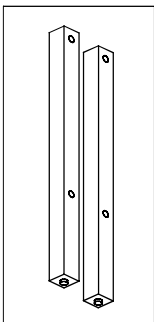
2



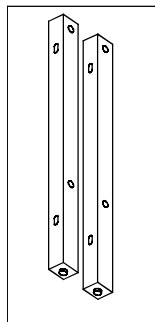
3



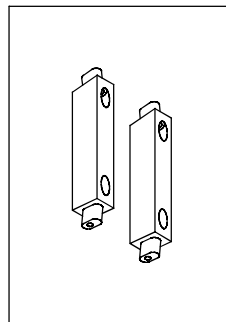
4



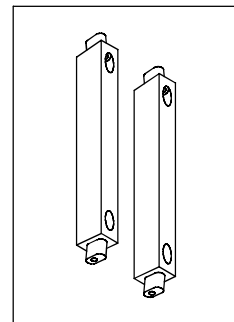
5



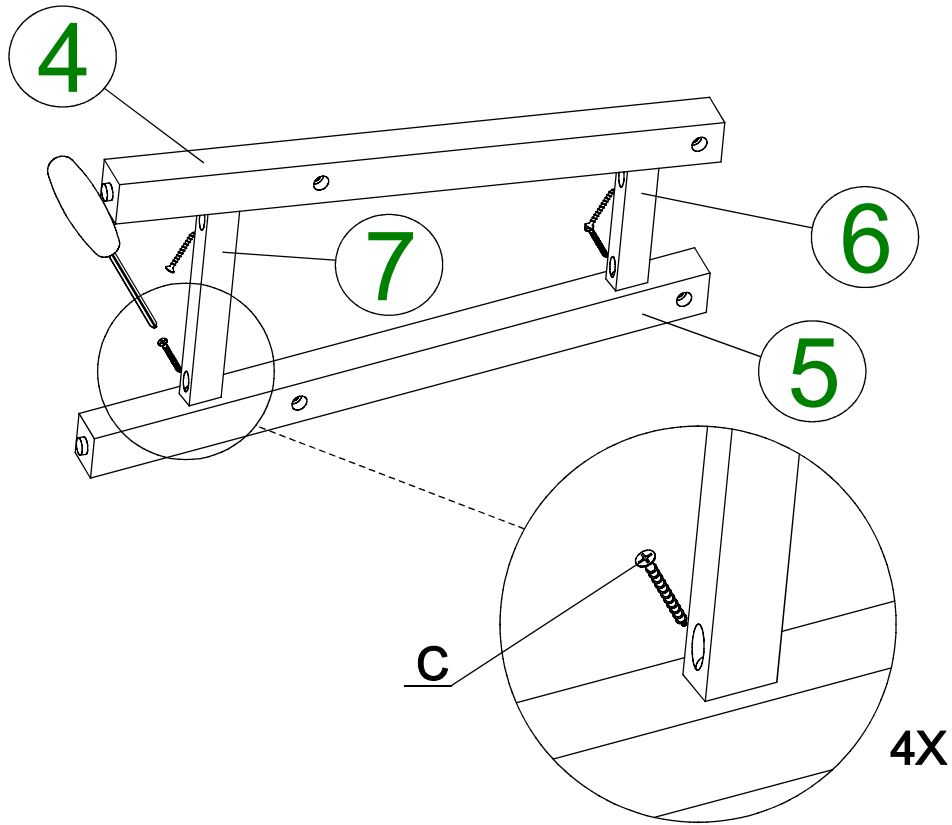
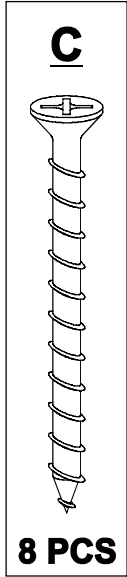
6



7

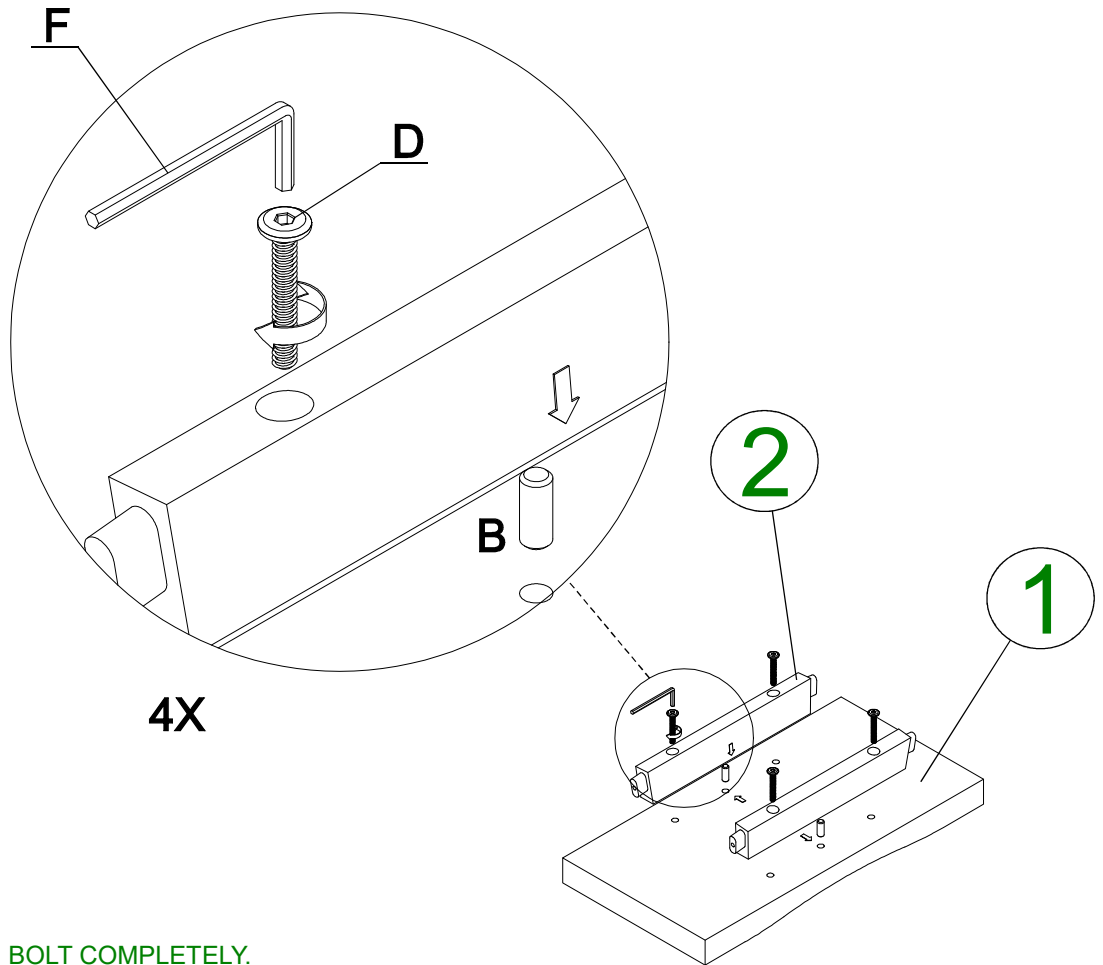
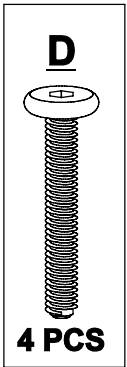


# 01



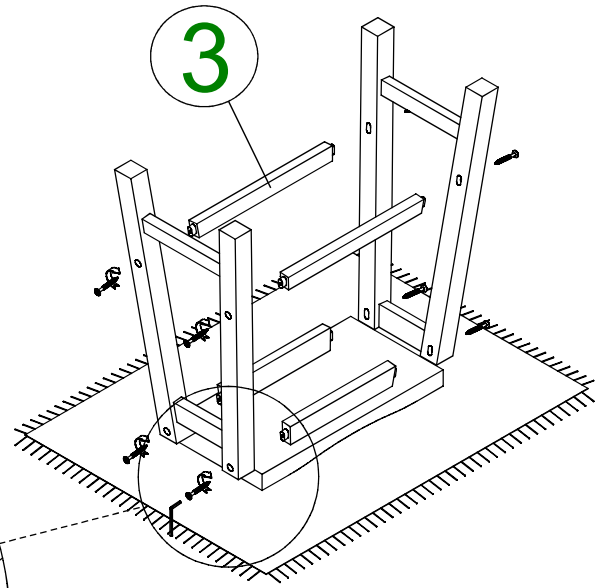
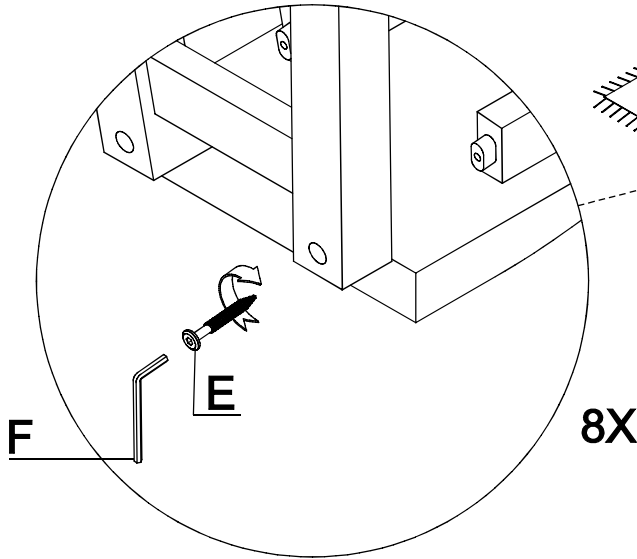
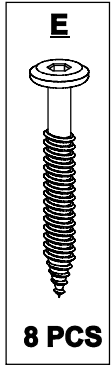
TIGHTEN BOLT COMPLETELY.

# 02



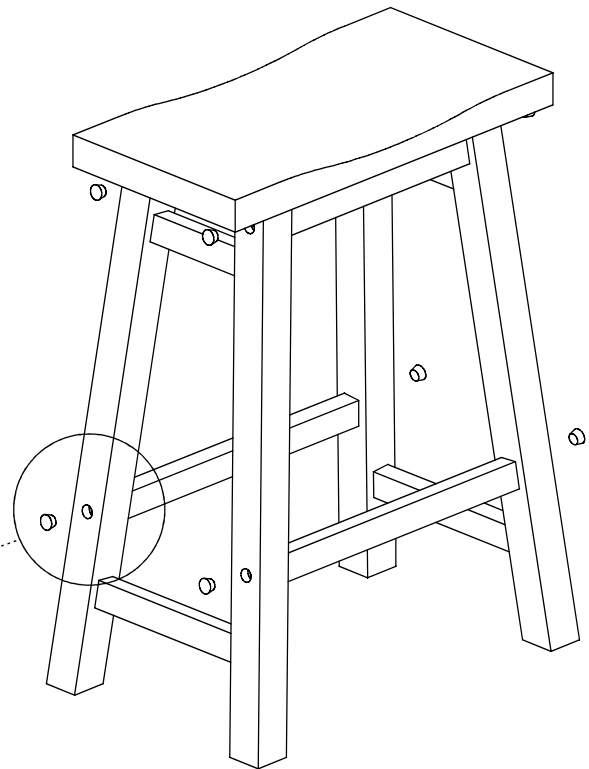
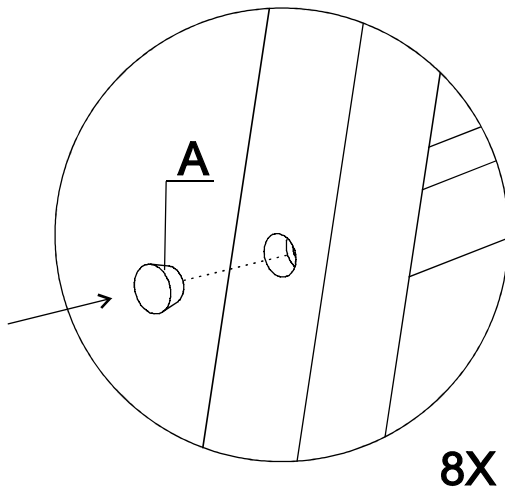
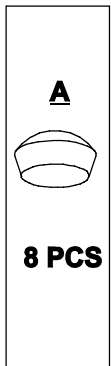
DO NOT TIGHTEN BOLT COMPLETELY.

# 03



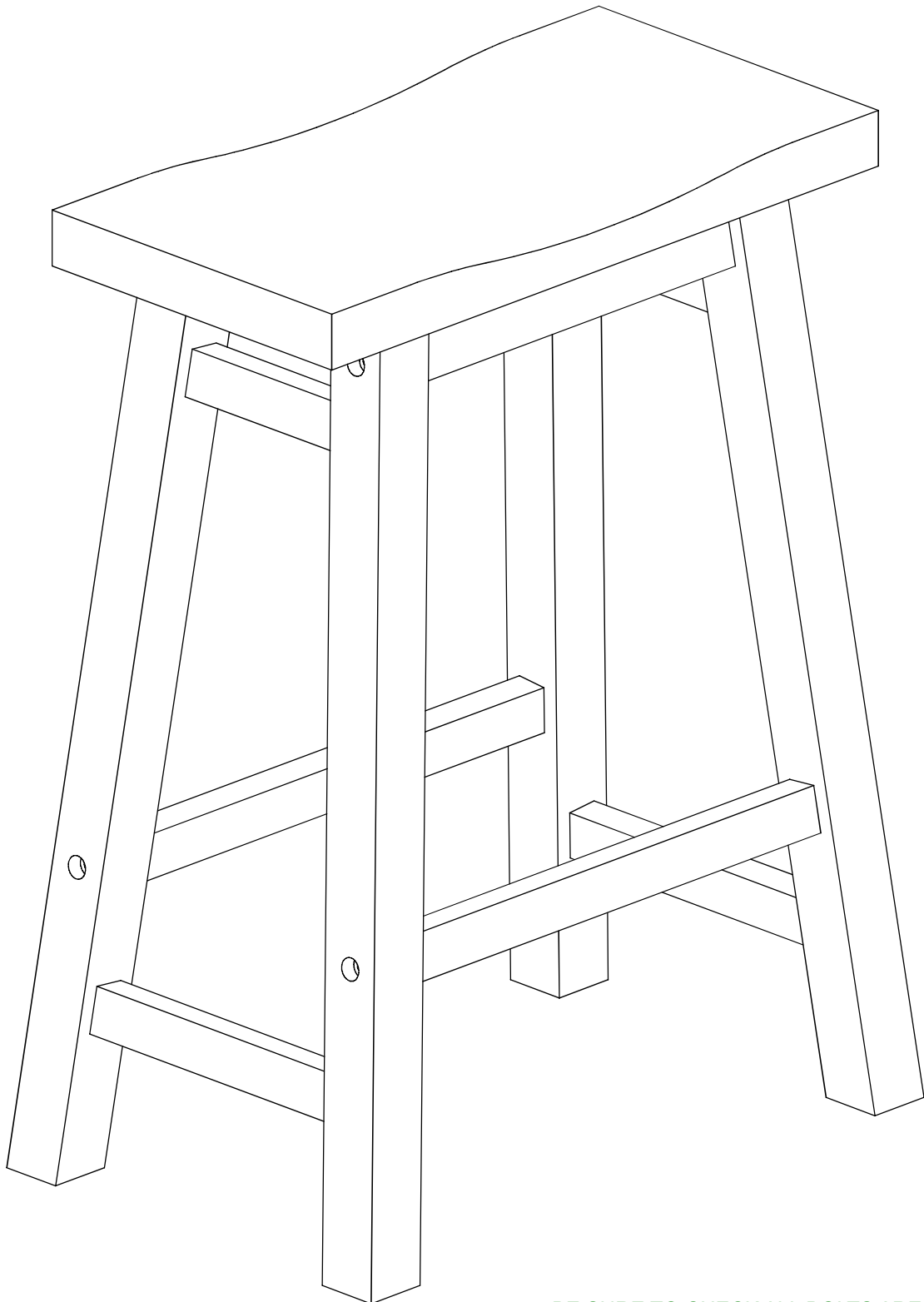
TIGHTEN BOLT COMPLETELY.

# 04



TIGHTEN BOLT COMPLETELY.

**05**



BE SURE TO CHECK ALL BOLTS ARE SECURELY  
TIGHTENED PRIOR USING THIS STOOL.