



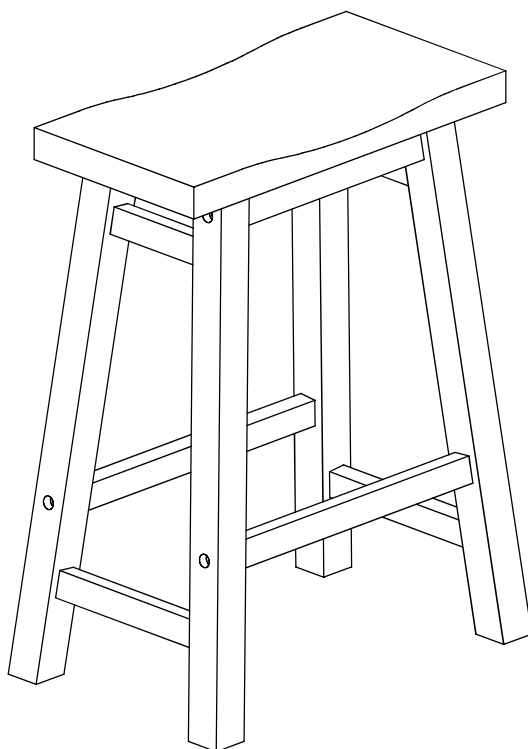
Boraam Industries

ASSEMBLY INSTRUCTIONS

SKU: 75024,75029,75124,75129,75224,75229

75524,75529,75624,75629,75324,75329,75318

SONOMA SADDLE STOOL



Have questions about assembling your item?



Items or parts damaged?



Missing a part?

We're here to help! (Monday-Friday from 9am-5pm CST)



847-949-6300
877-267-2261



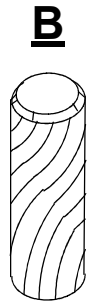
customerservice@
boraamindustries.com



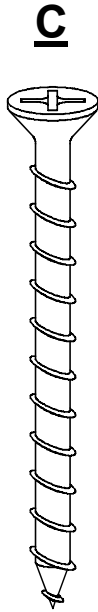
www.boraamindustries.com



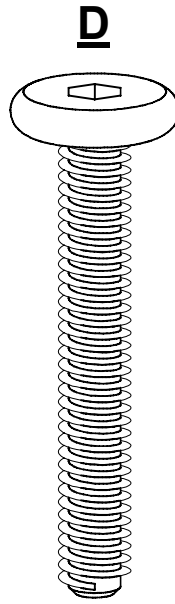
Wood Nut
8 PCS



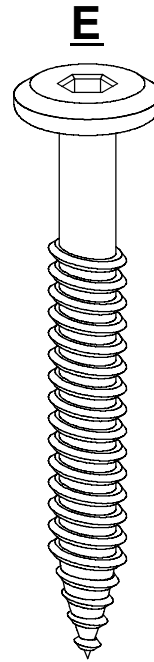
Wood Dowel
2 PCS



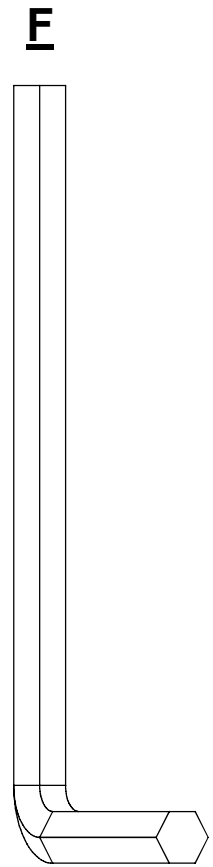
M4*40
8 PCS



M6*40
4 PCS

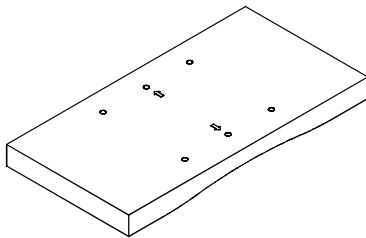


M6*50
8 PCS

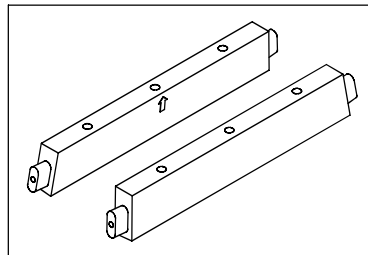


1 PC

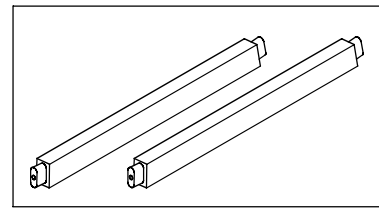
1



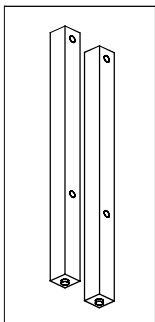
2



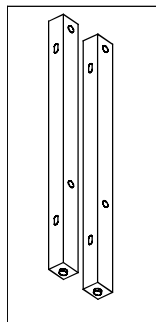
3



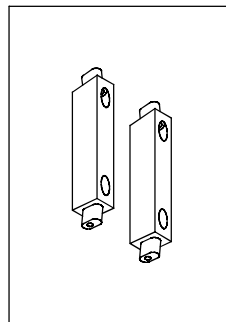
4



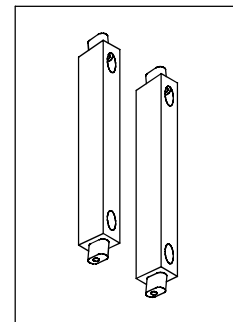
5



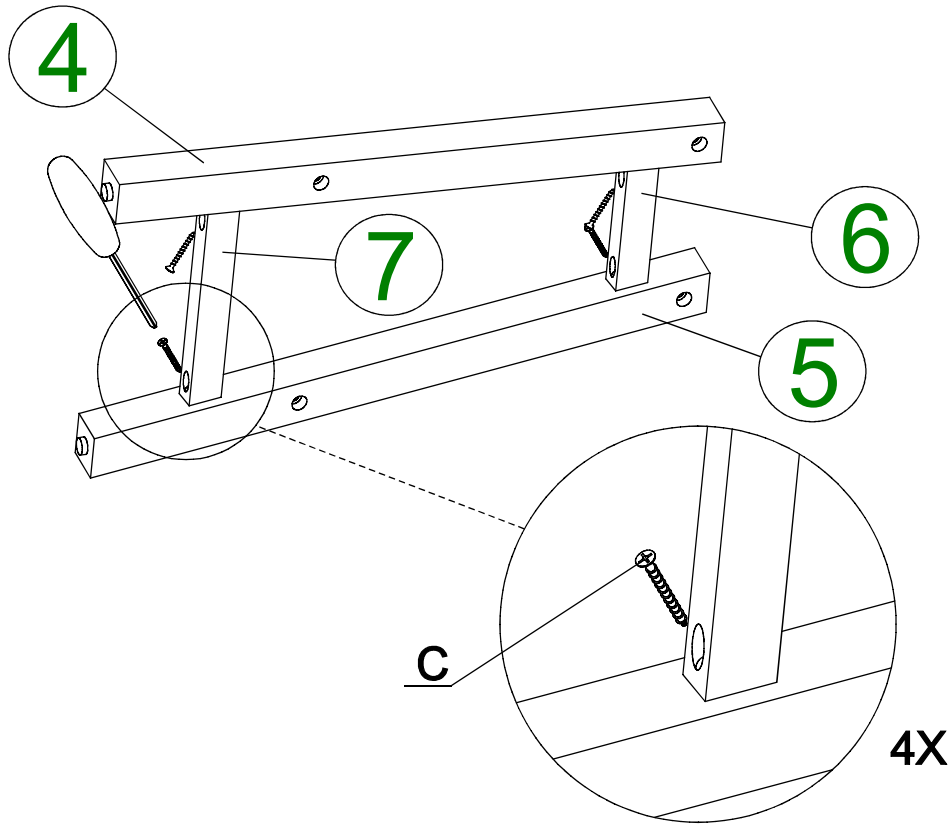
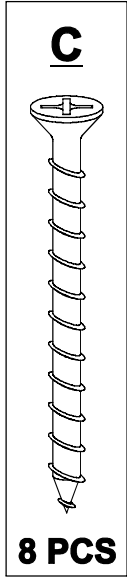
6



7

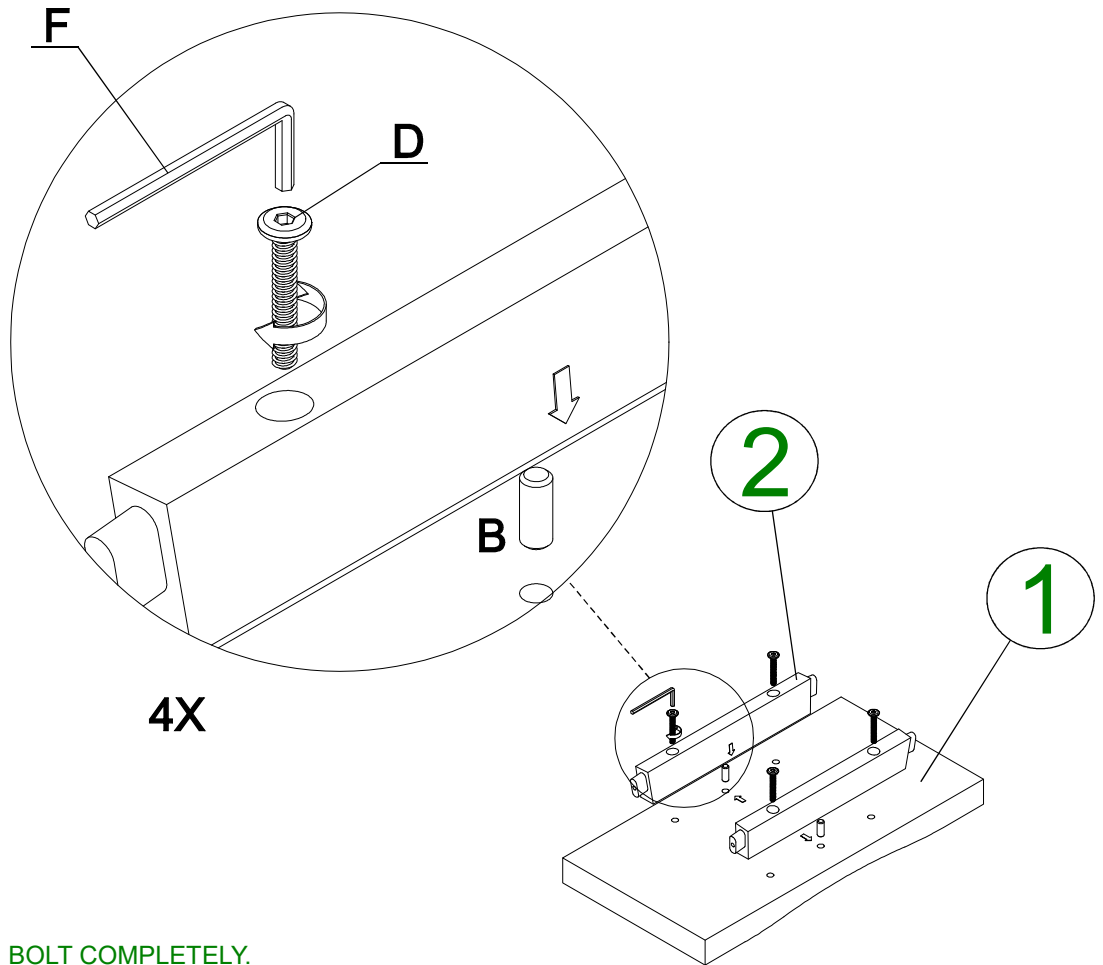
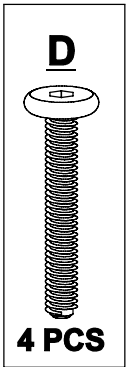


01



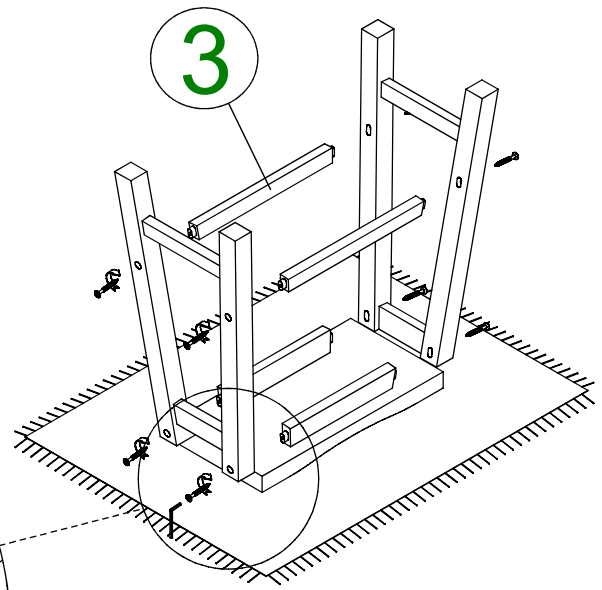
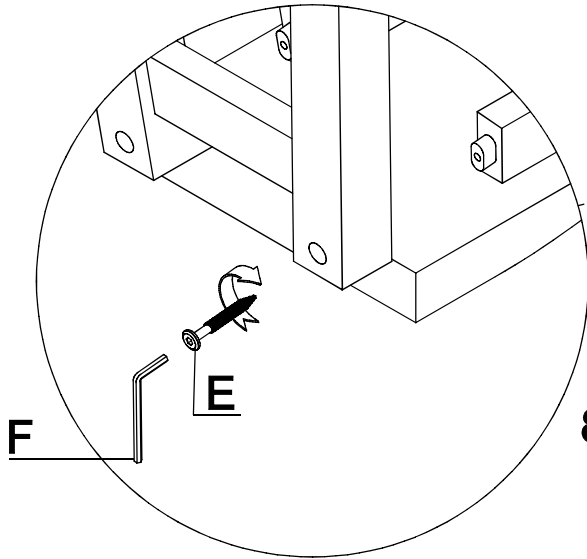
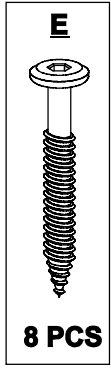
TIGHTEN BOLT COMPLETELY.

02



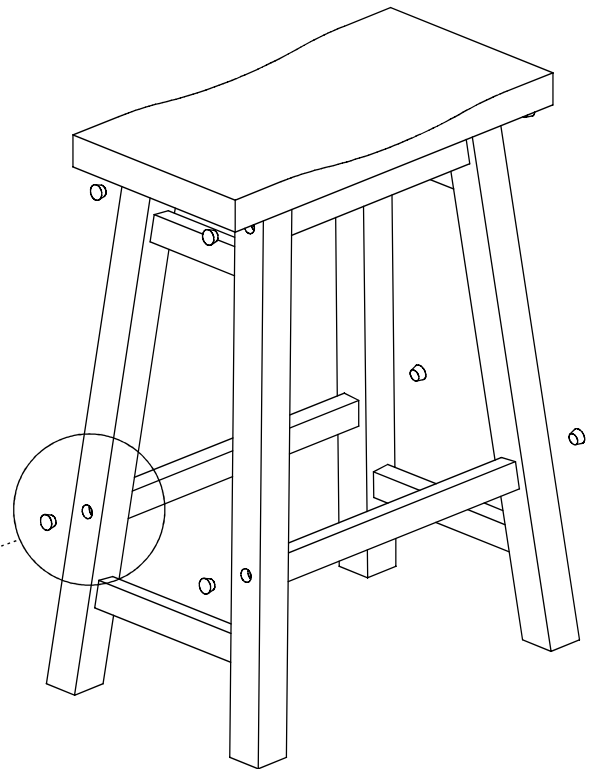
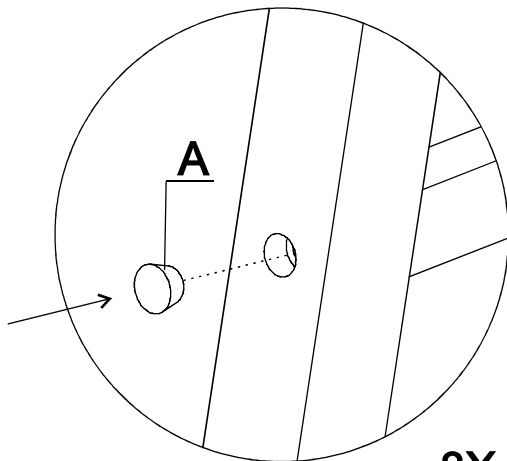
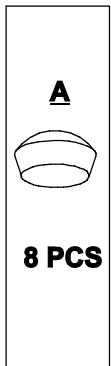
DO NOT TIGHTEN BOLT COMPLETELY.

03



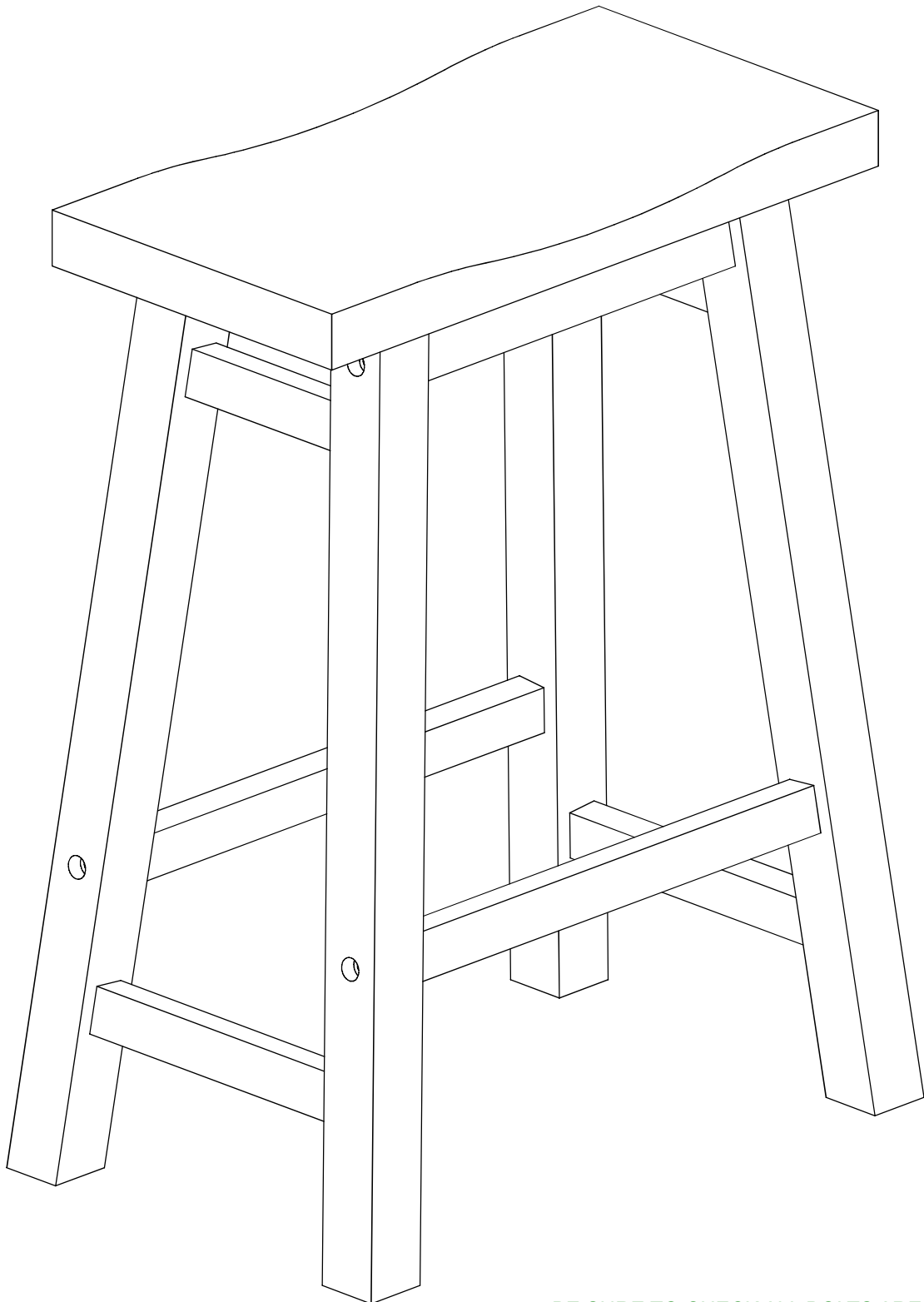
TIGHTEN BOLT COMPLETELY.

04



TIGHTEN BOLT COMPLETELY.

05



BE SURE TO CHECK ALL BOLTS ARE SECURELY
TIGHTENED PRIOR USING THIS STOOL.