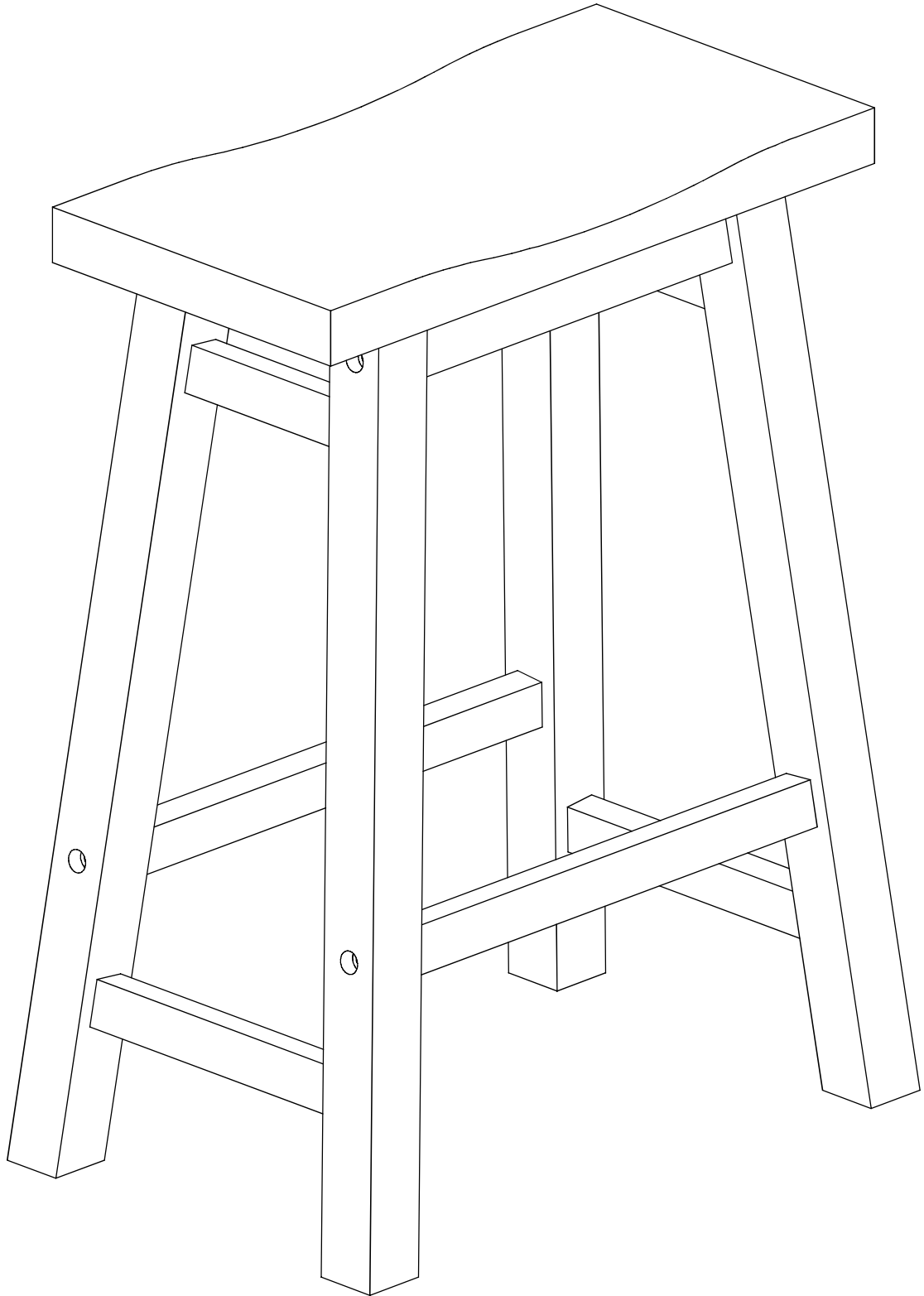




Boraam Industries
SONOMA SADDLE STOOL - 2 PACK
ASSEMBLY INSTRUCTIONS





PLEASE READ ME FIRST



- Have questions about assembling your item?



- Item or parts damaged?



- Missing a part?



- We're here to help!



(847)949-6300 (M-F, 9am-5pm CST)



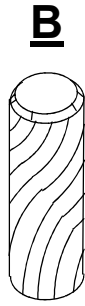
www.boraamindustries.com



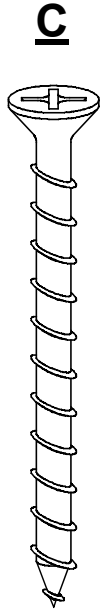
customerservice@boraamindustries.com



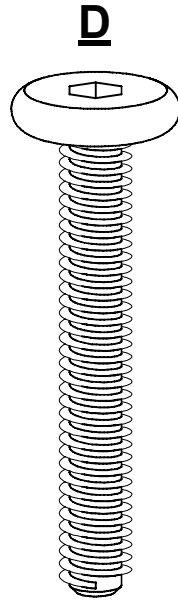
Wood Nut
8 PCS



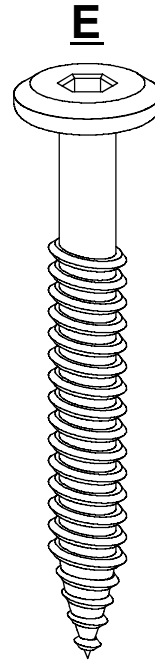
Wood Dowel
2 PCS



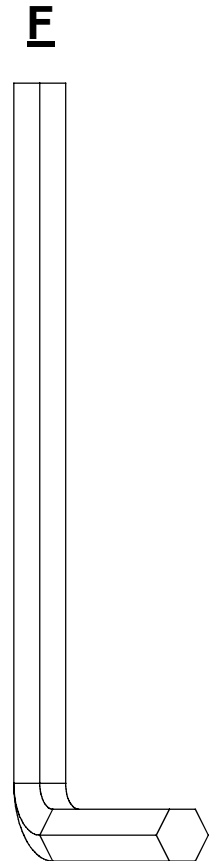
M4*40
8 PCS



M6*40
4 PCS

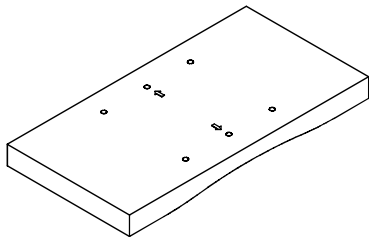


M6*50
8 PCS

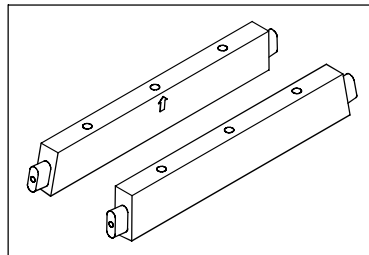


1 PC

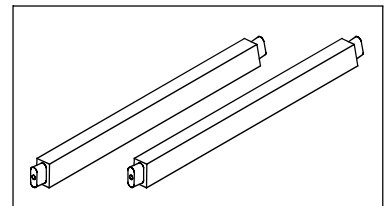
1



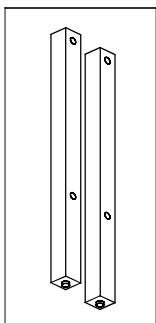
2



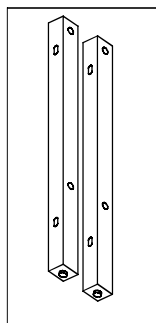
3



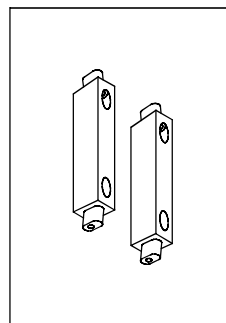
4



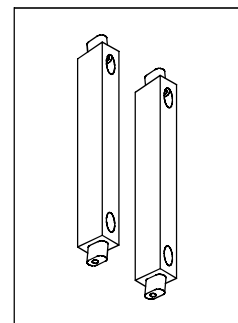
5



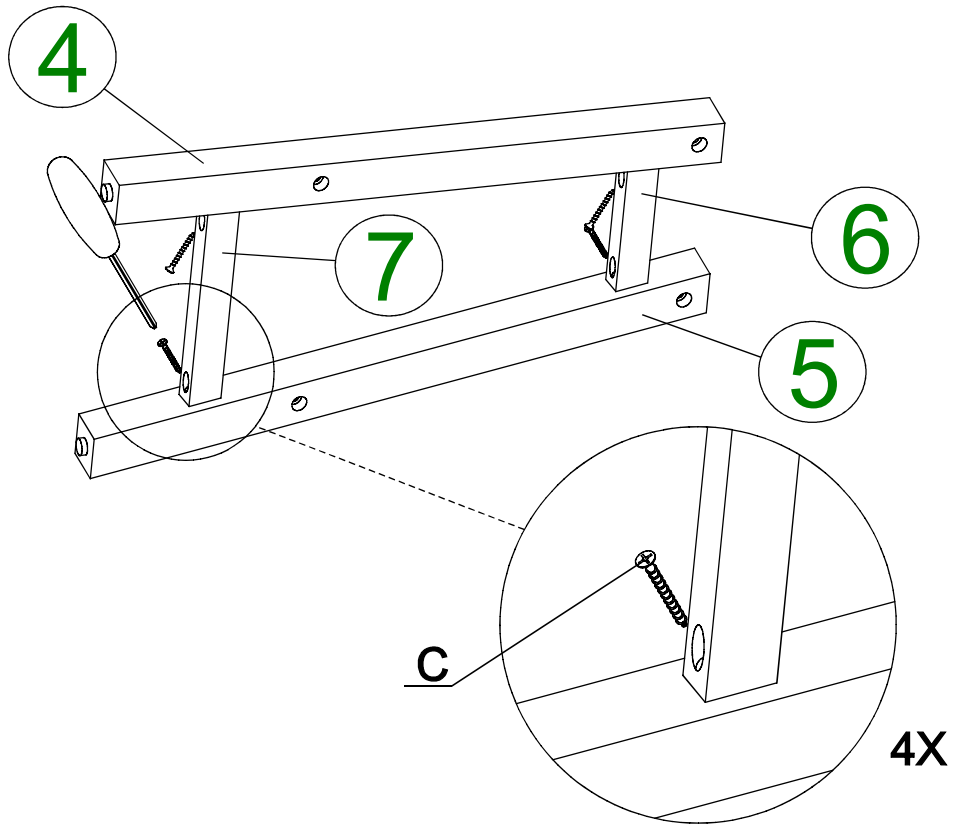
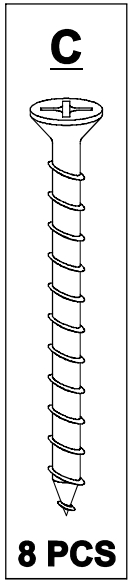
6



7

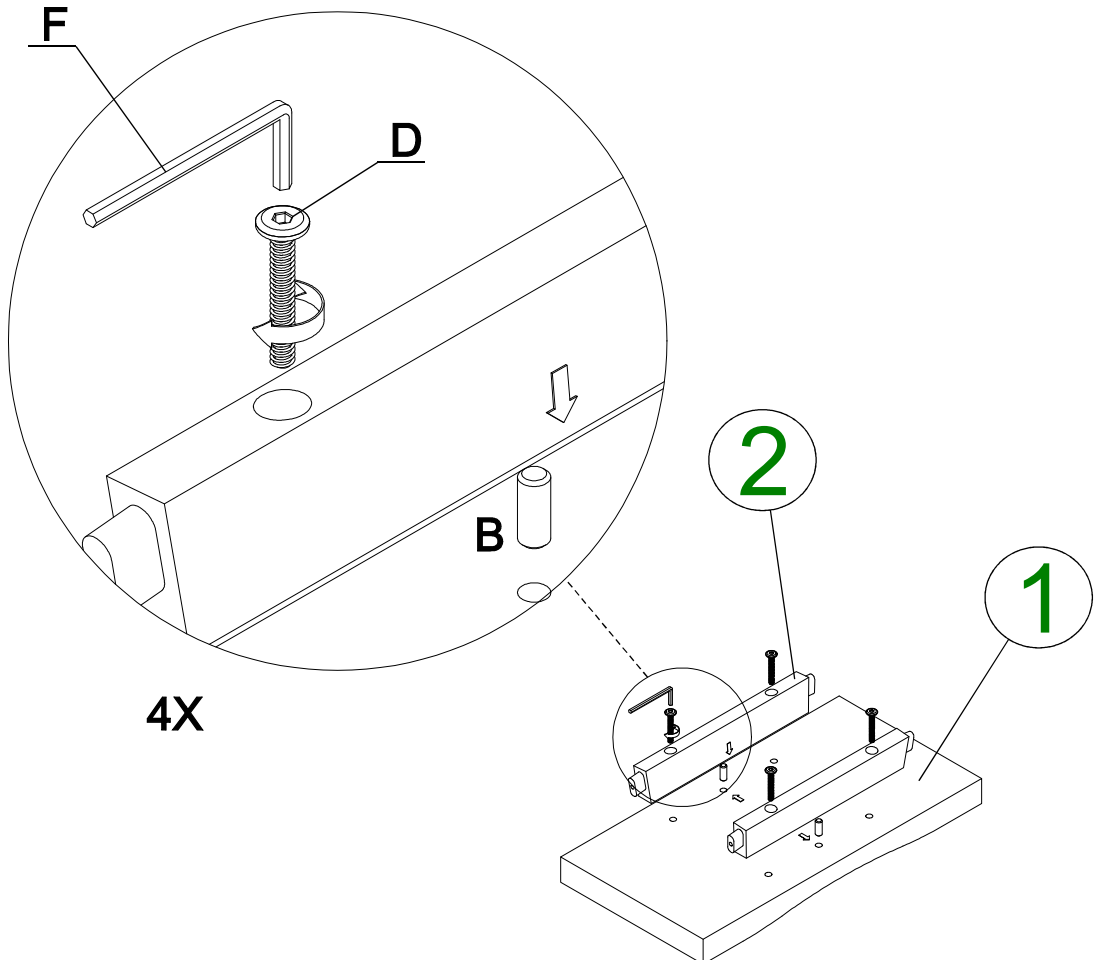
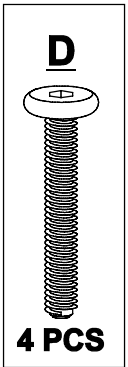


01



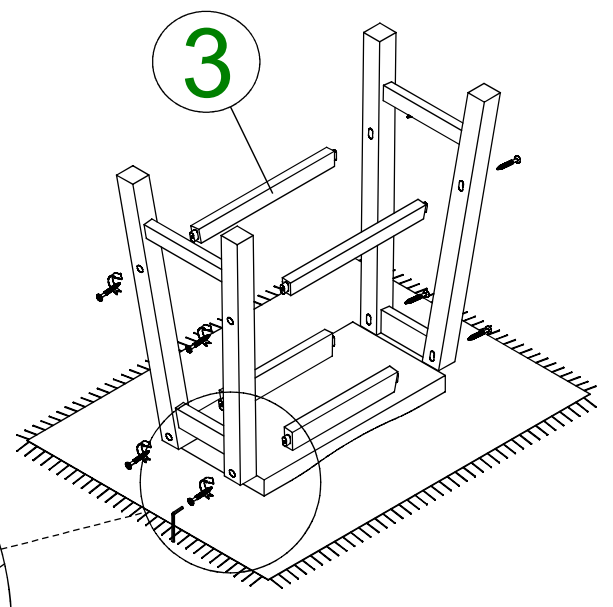
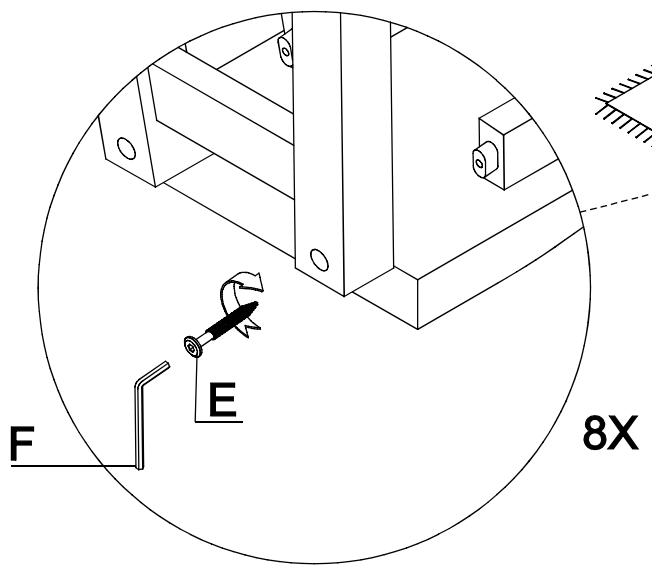
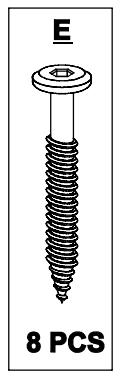
TIGHTEN BOLT COMPLETELY.

02



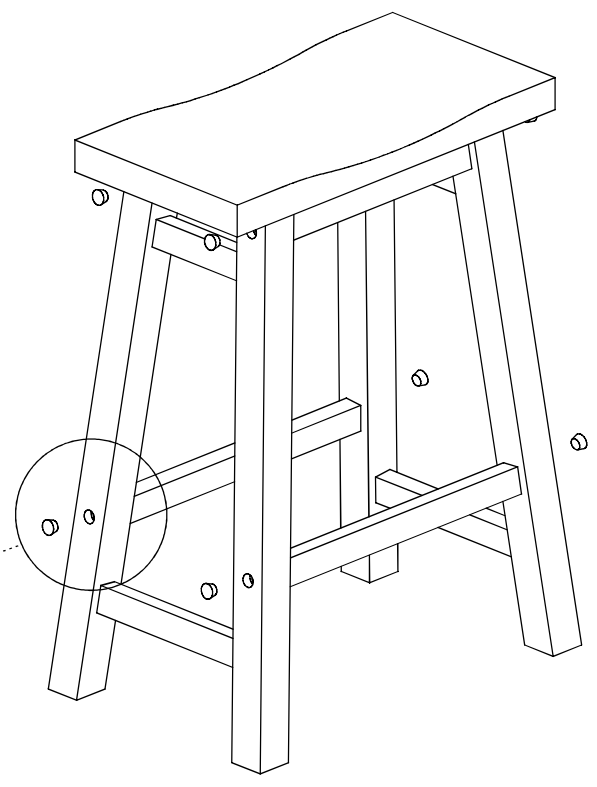
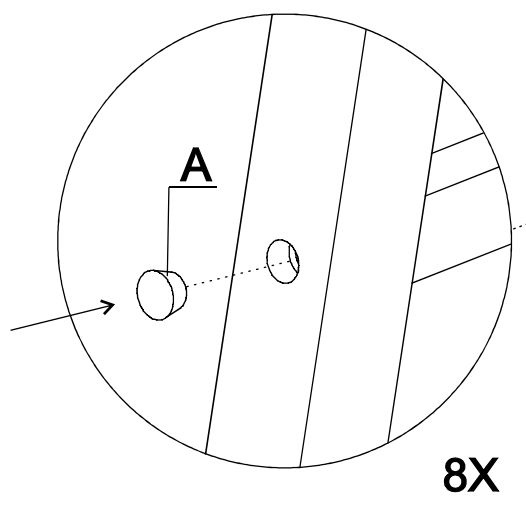
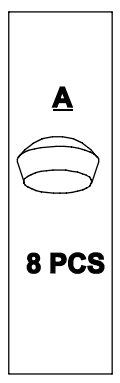
DO NOT TIGHTEN BOLT COMPLETELY.

03



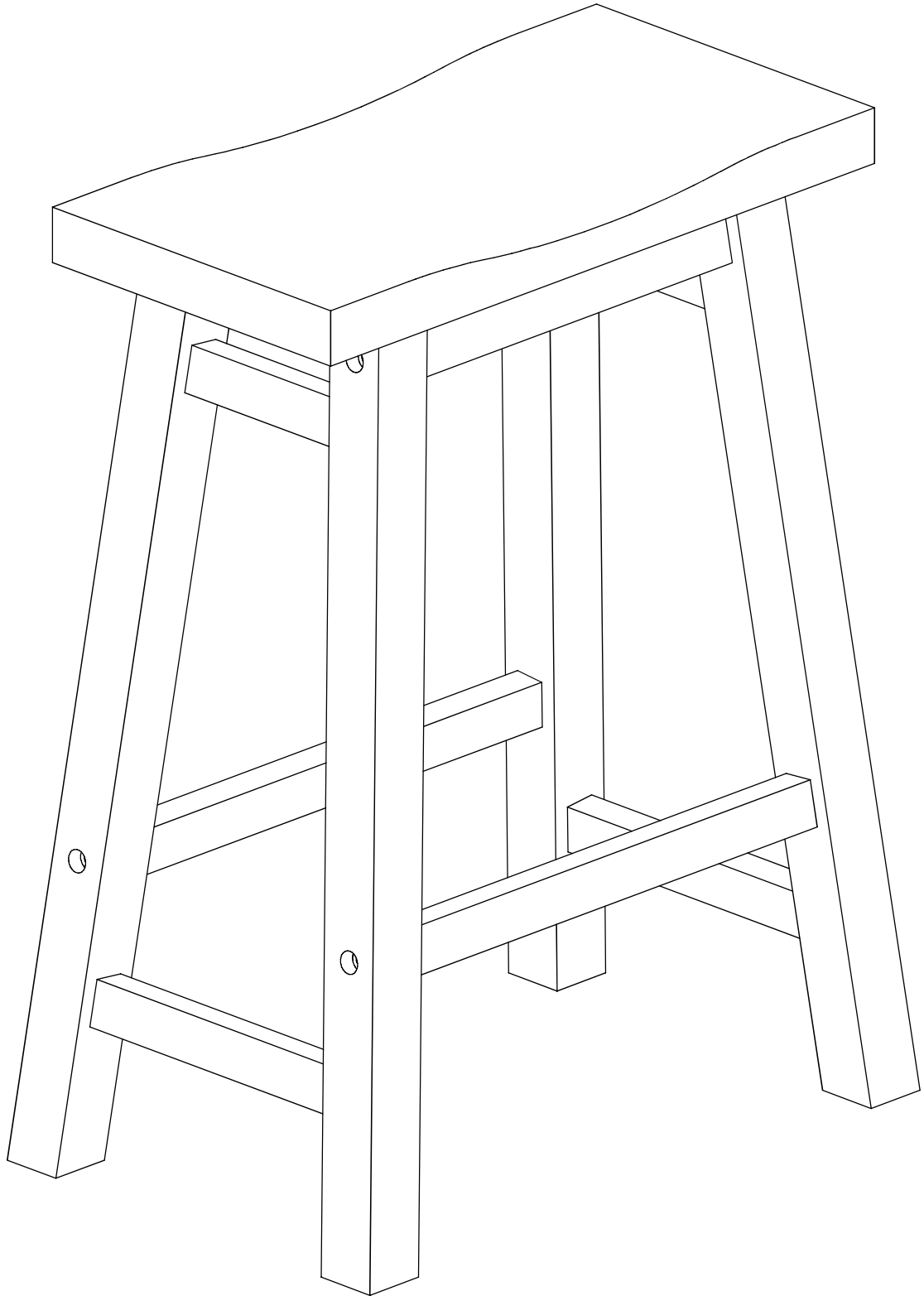
TIGHTEN BOLT COMPLETELY.

04



TIGHTEN BOLT COMPLETELY.

05



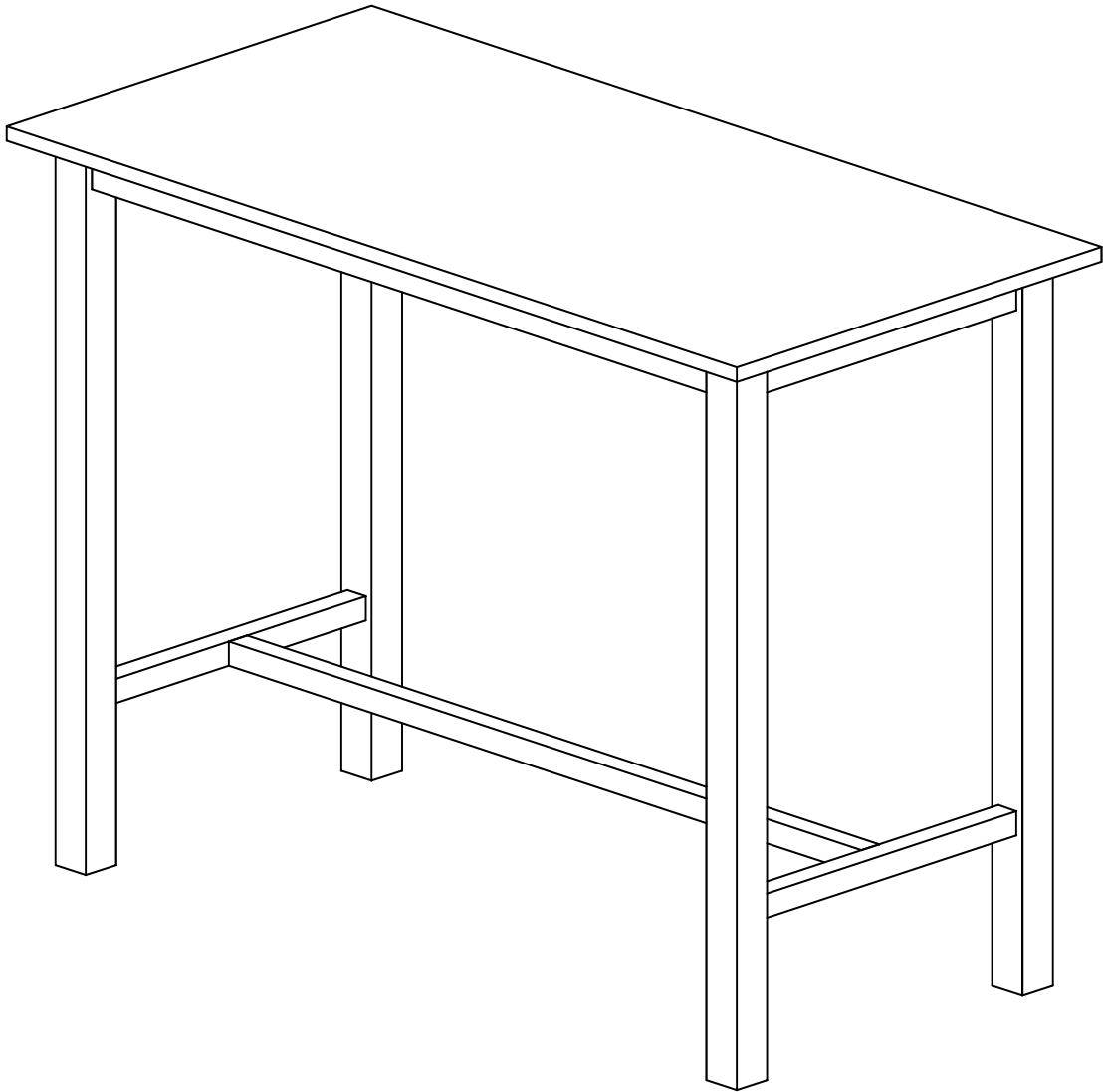
BE SURE TO CHECK ALL BOLTS ARE SECURELY
TIGHTENED PRIOR USING THIS STOOL.



Boraam Industries

SONOMA PUB TABLE

ASSEMBLY INSTRUCTIONS





PLEASE READ ME FIRST



- Have questions about assembling your item?



- Item or parts damaged?



- Missing a part?



- We're here to help!



(847)949-6300 (M-F, 9am-5pm CST)

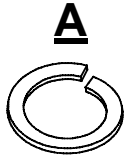


www.boraamindustries.com

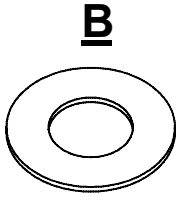


customerservice@boraamindustries.com

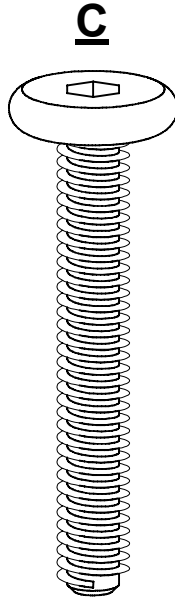
Phillips
Screwdriver
(Not provided)



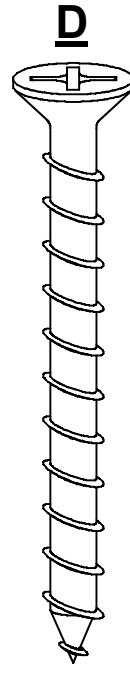
8 PCS



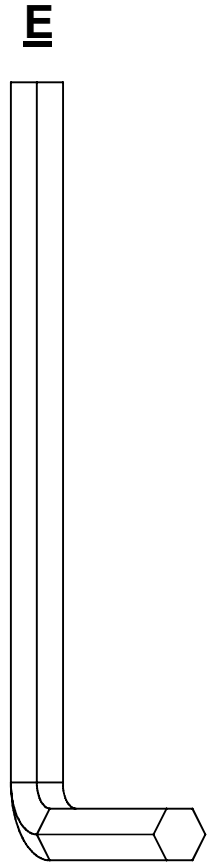
8 PCS



8 PCS

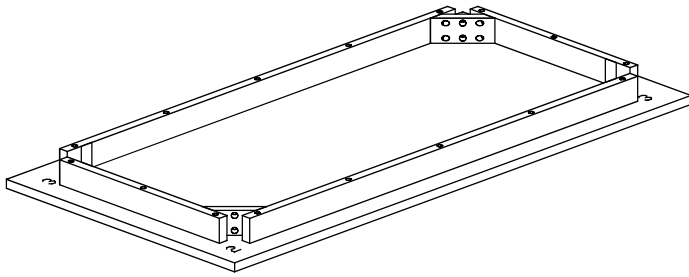


6 PCS

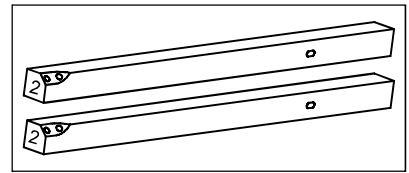


1 PC

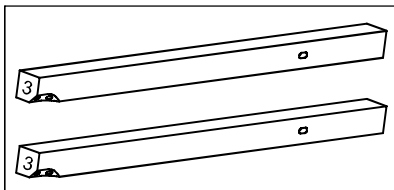
1



2



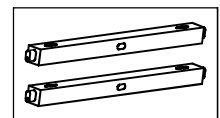
3



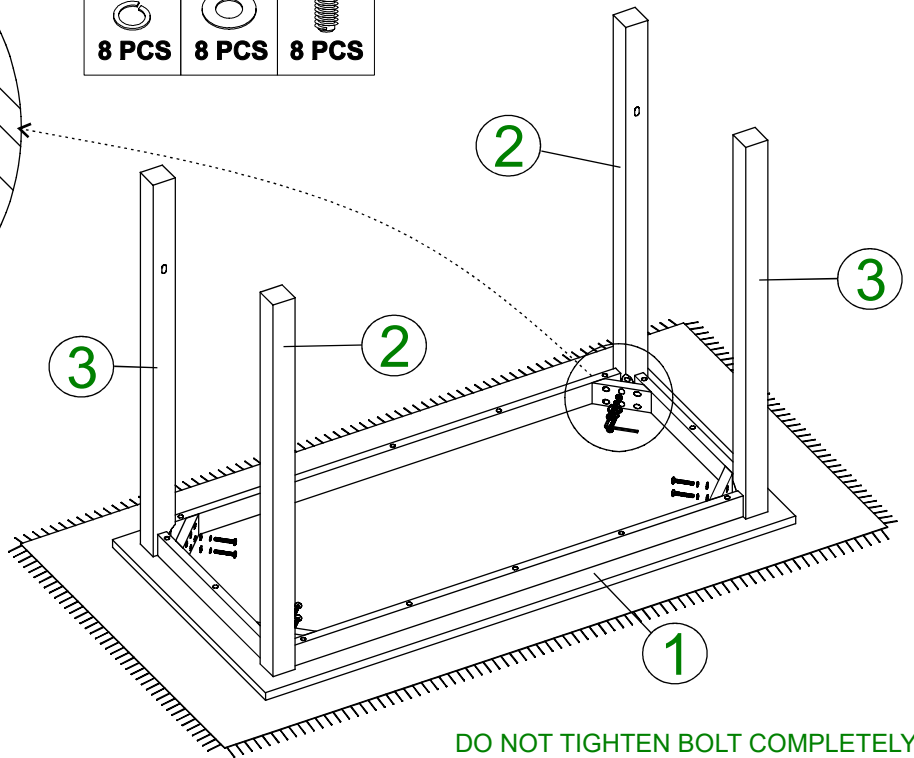
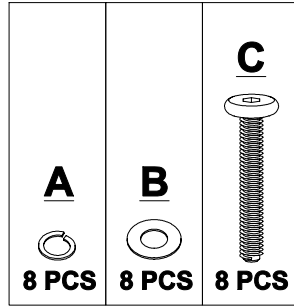
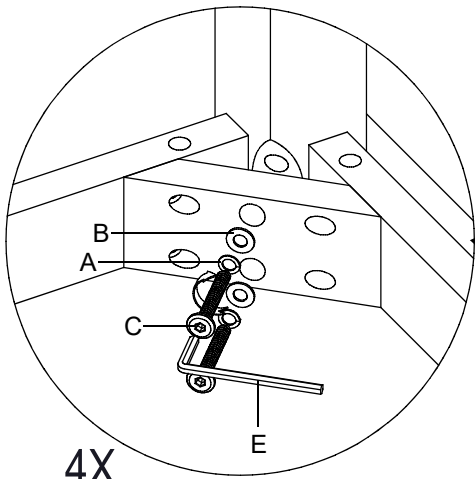
4



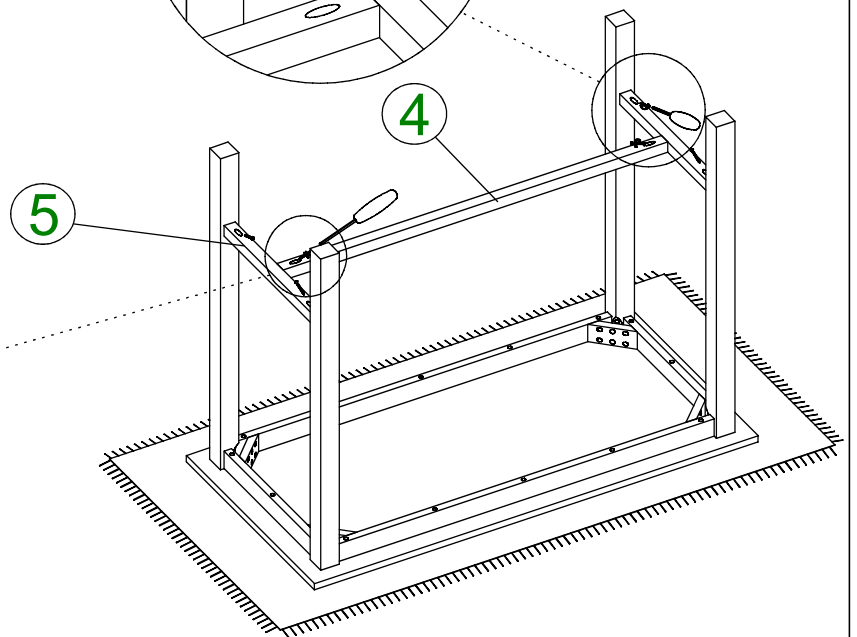
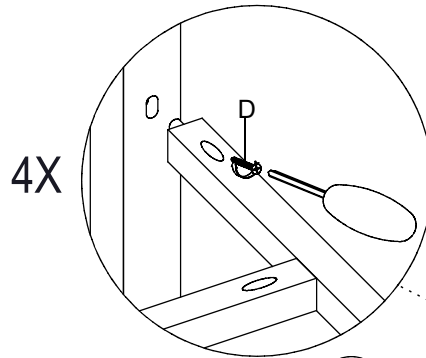
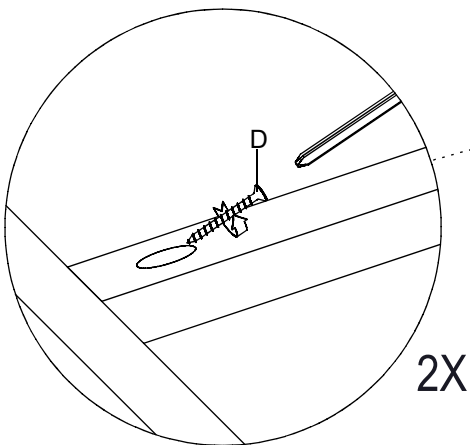
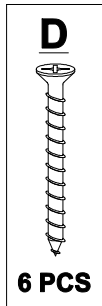
5



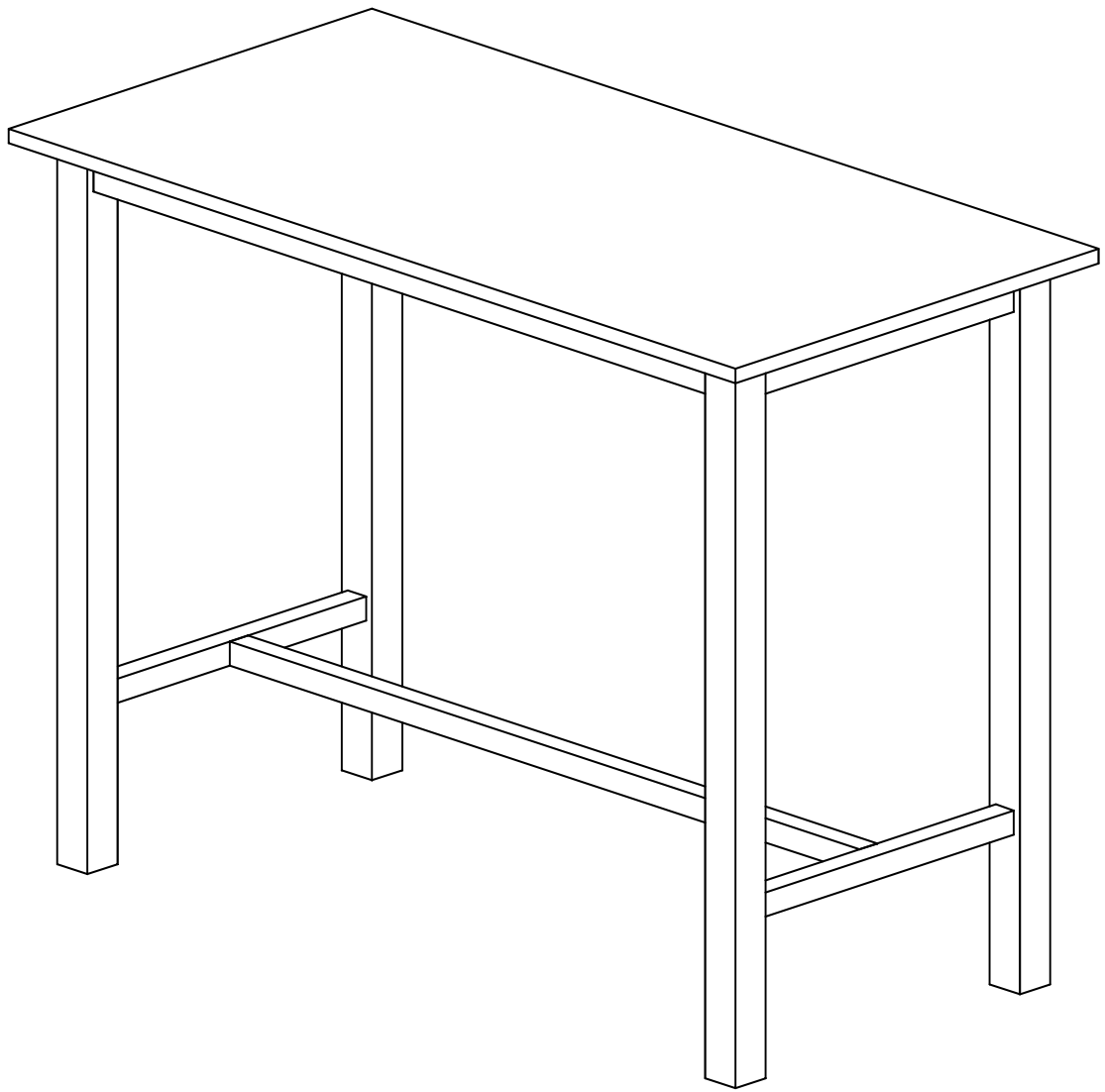
01



02



TIGHTEN SCREW COMPLETELY.



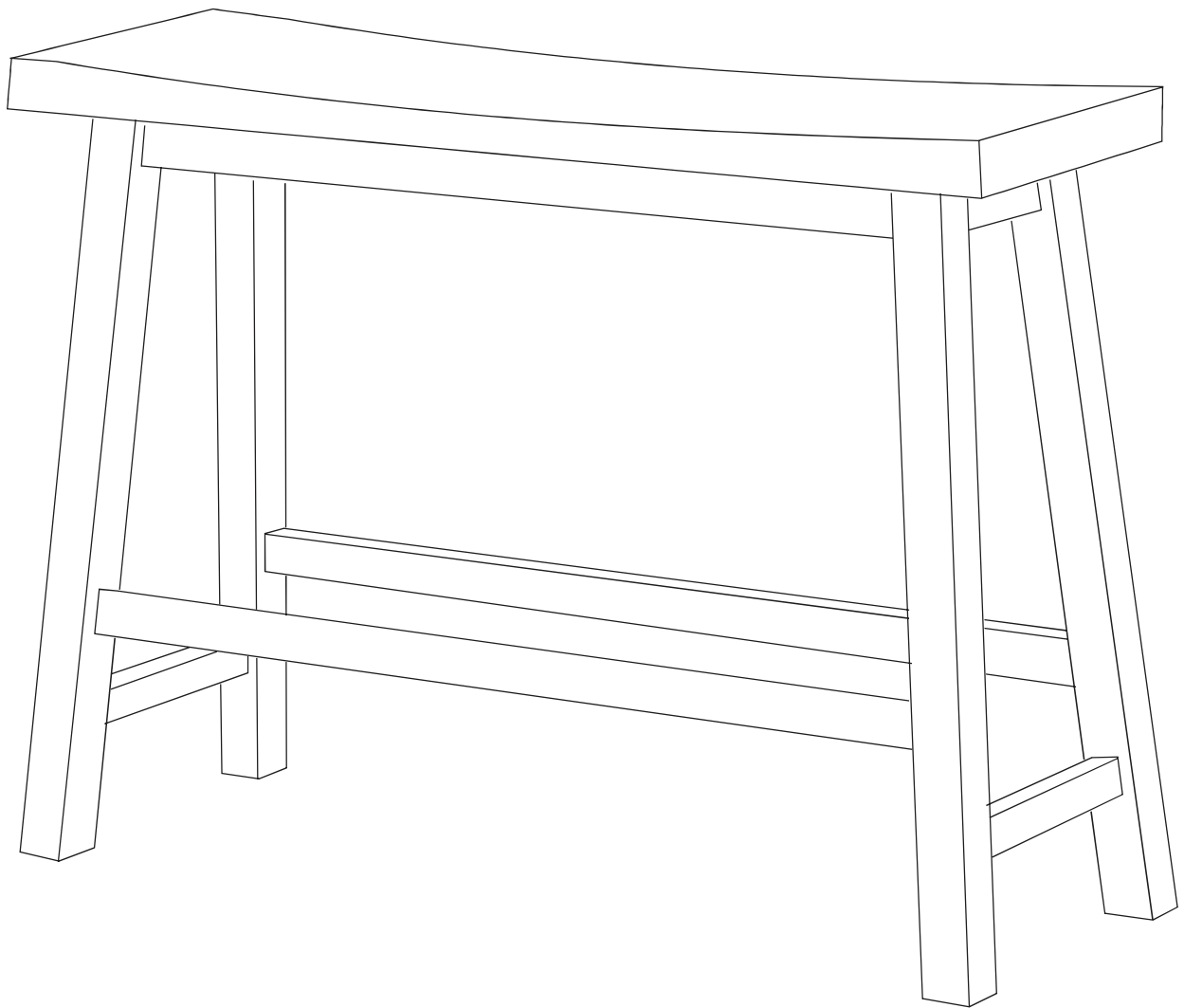
BE SURE TO CHECK ALL BOLTS ARE SECURELY
TIGHTENED PRIOR USING THIS TABLE.



Boraam Industries

SONOMA BENCH

ASSEMBLY INSTRUCTIONS





PLEASE READ ME FIRST



- Have questions about assembling your item?



- Item or parts damaged?



- Missing a part?



- We're here to help!



(847)949-6300 (M-F, 9am-5pm CST)



www.boraamindustries.com



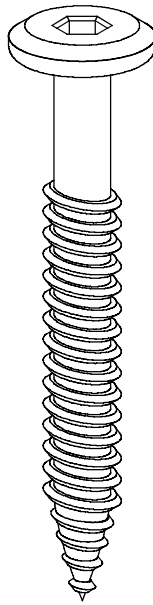
customerservice@boraamindustries.com

A



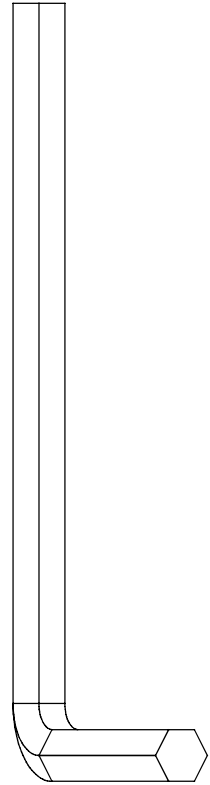
8 PCS

B



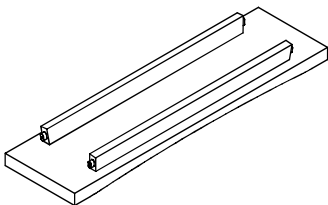
8 PCS

C

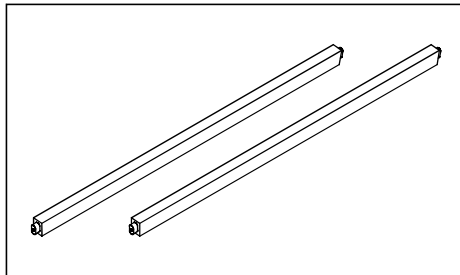


1 PC

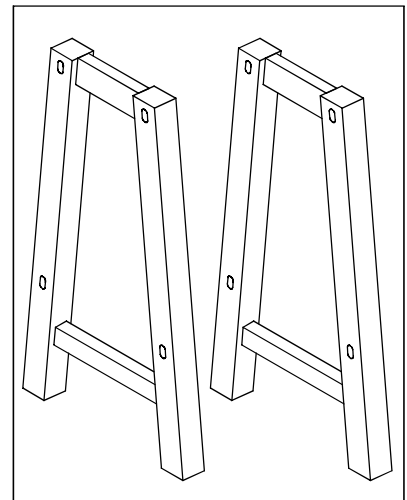
1



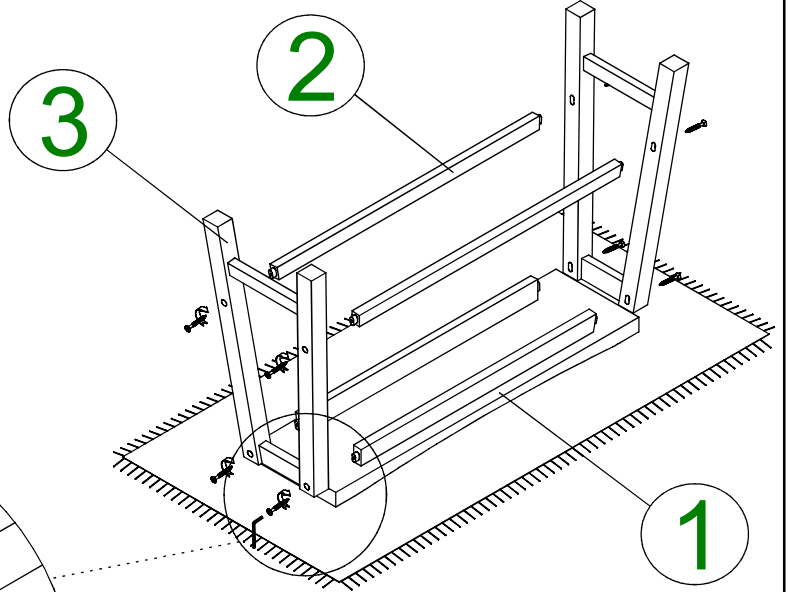
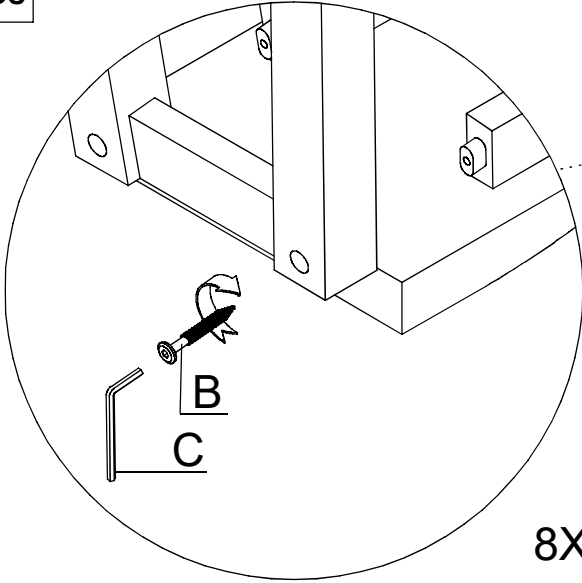
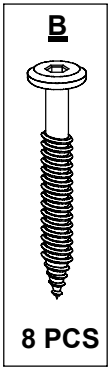
2



3

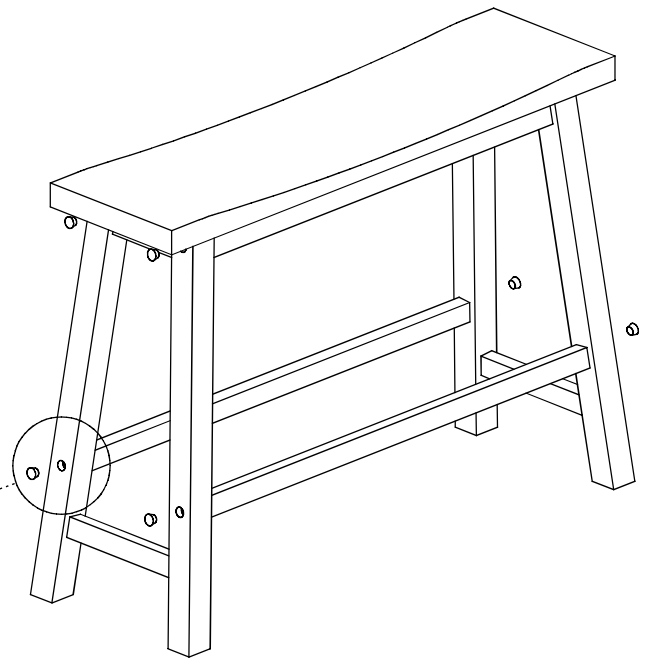
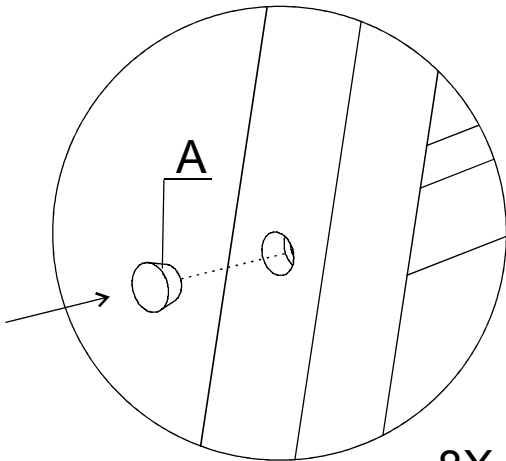
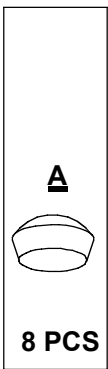


01

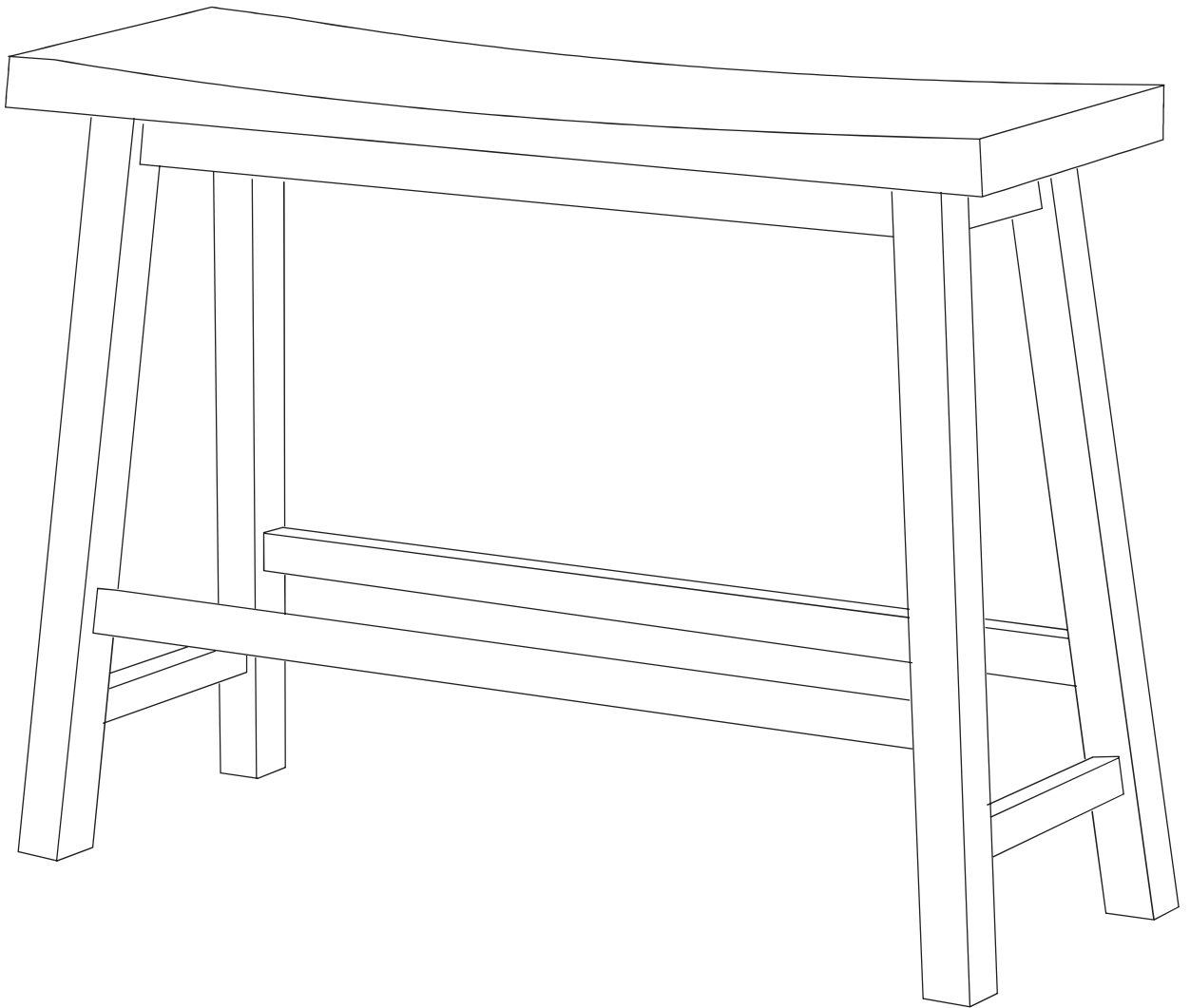


TIGHTEN BOLT COMPLETELY.

02



03



BE SURE TO CHECK ALL BOLTS ARE SECURELY
TIGHTENED PRIOR USING THIS BENCH.