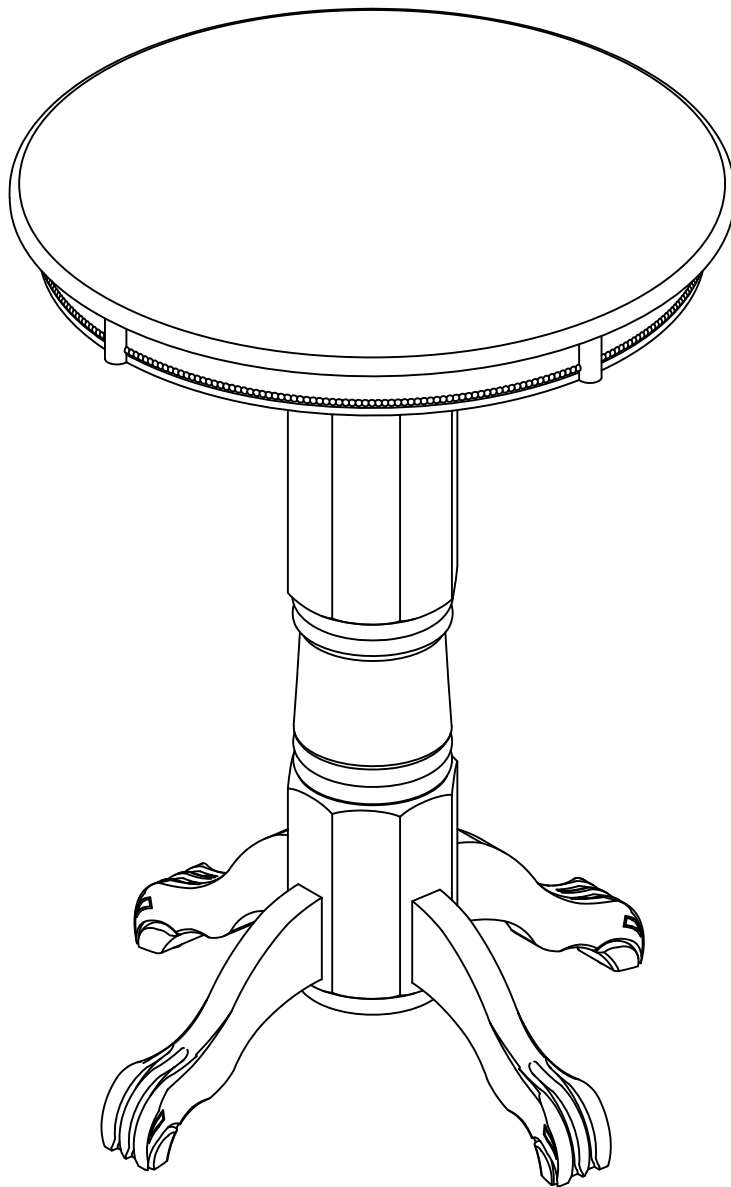




*Boraam Industries*  
**FLORENCE PUB TABLE**  
ASSEMBLY INSTRUCTIONS





PLEASE READ ME FIRST



- Have questions about assembling your item?



- Item or parts damaged?



- Missing a part?



- We're here to help!



(847)949-6300 (M-F, 9am-5pm CST)



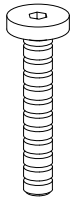
[www.boraamindustries.com](http://www.boraamindustries.com)

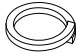


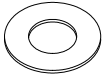
[customerservice@boraamindustries.com](mailto:customerservice@boraamindustries.com)

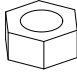
A  
  
4 PCS  
M6\*10


B  
  
4 PCS  
M6\*16

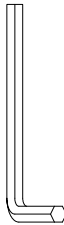
C  
  
4 PCS  
M6\*45

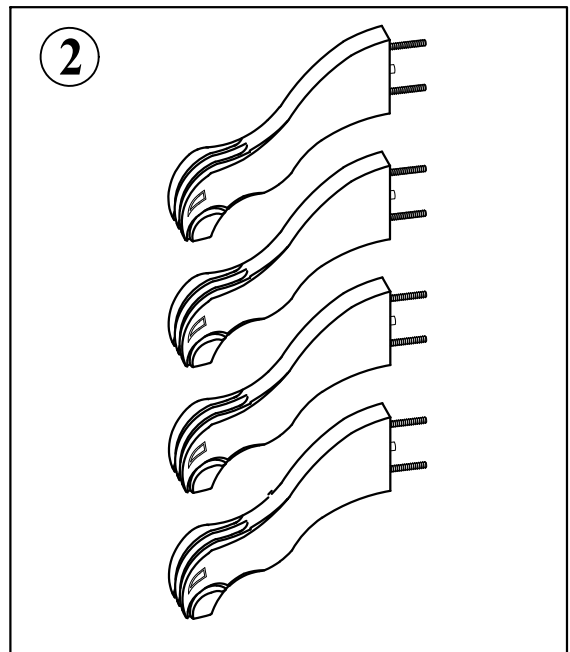
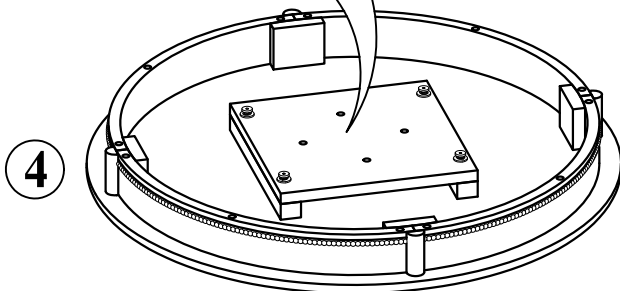
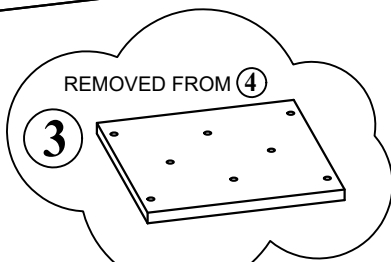
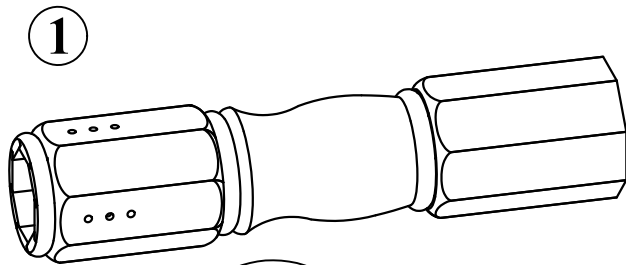
D  
  
8 PCS  
M8\*13

E  
  
8 PCS  
M8\*19



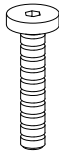
F  
  
8 PCS  
M8\*13

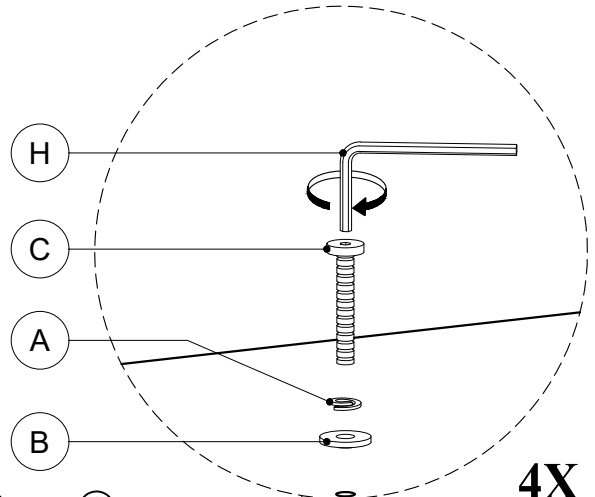
G  
  
1 PC  
Wrench  
K13\*90

H  
  
1 PC  
Alen Wrench  
M4\*110

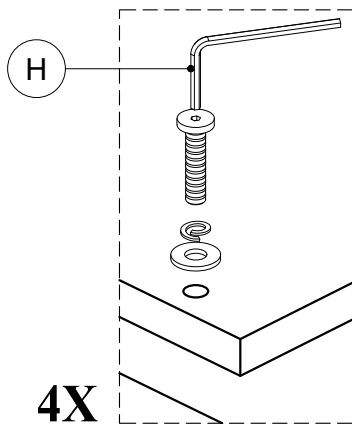
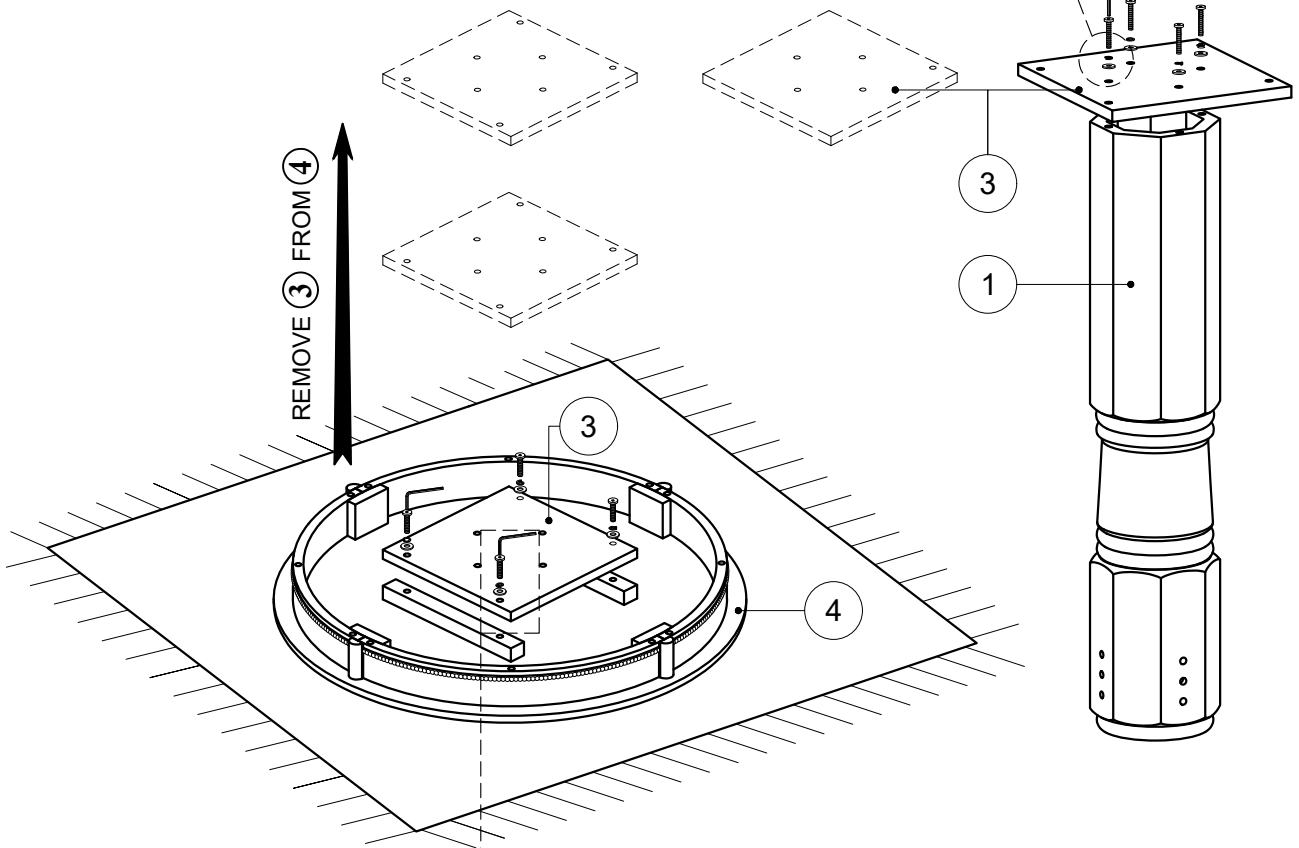


# 01

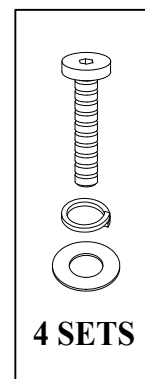
<b>A</b> 	<b>B</b> 	<b>C</b> 
4 PCS M6*10	4 PCS M6*16	4 PCS M6*45



ASSEMBLE ③ WITH ①

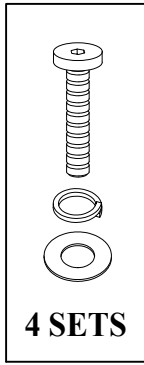


HOLD FOR STEP 2

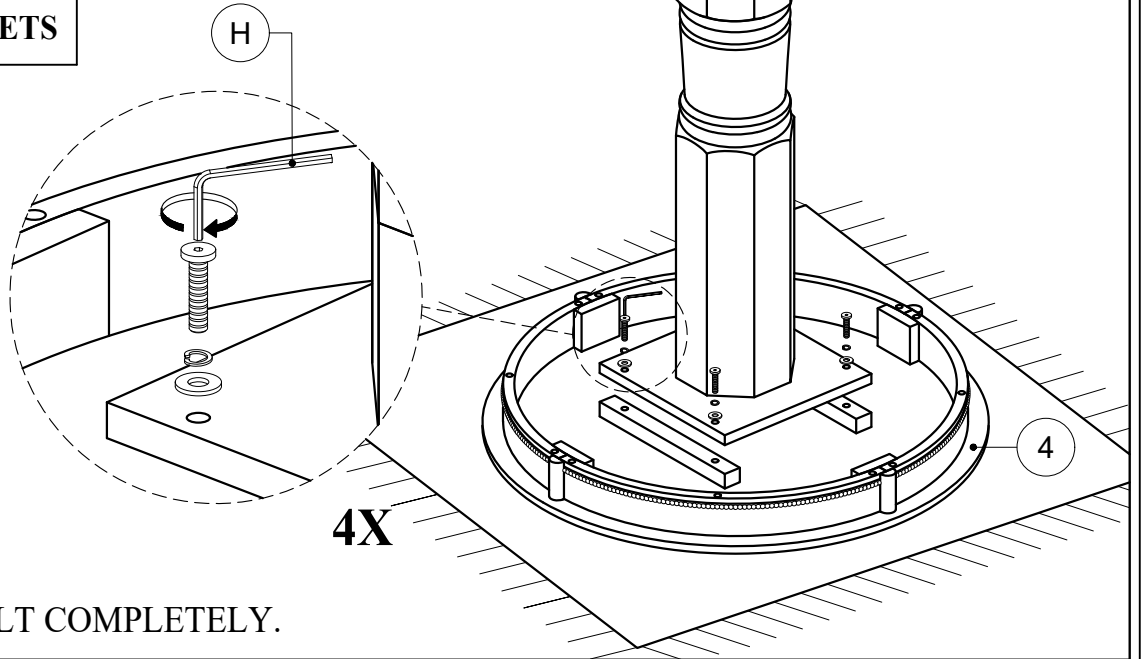


TIGHTEN BOLT COMPLETELY.

# 02



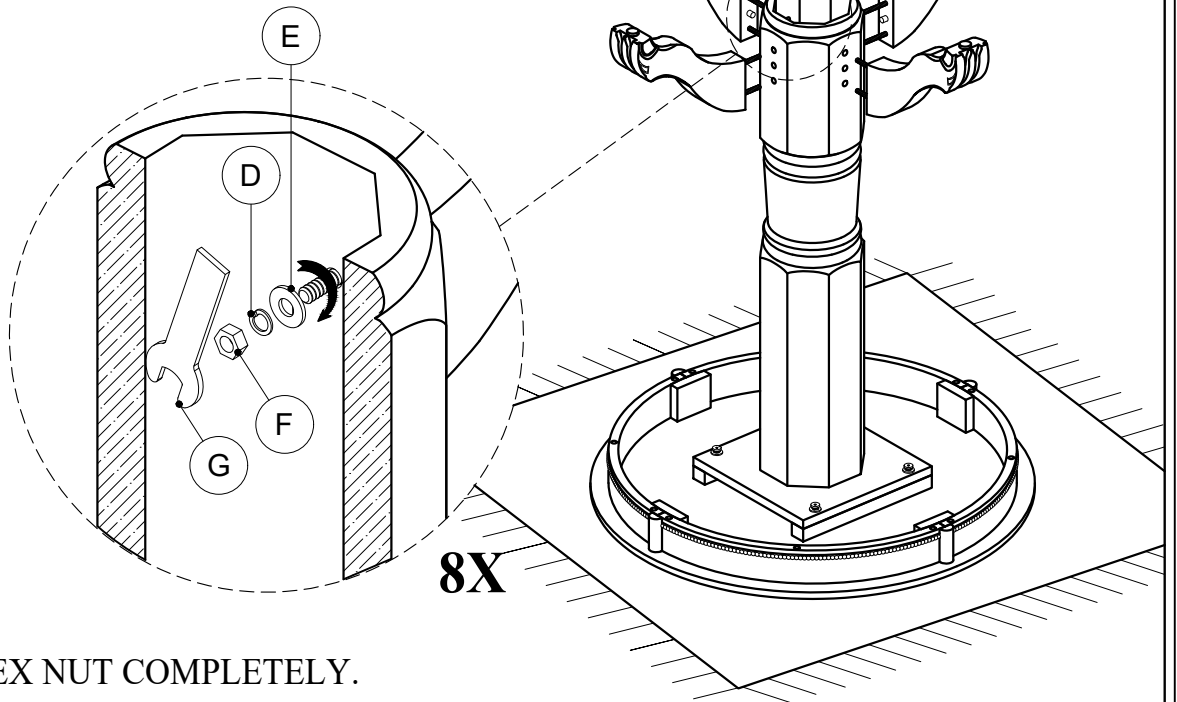
ASSEMBLY GROUP ③ ① INTO ④ PLAN  
HARDWARE DISCONNECTED IN STEP 1



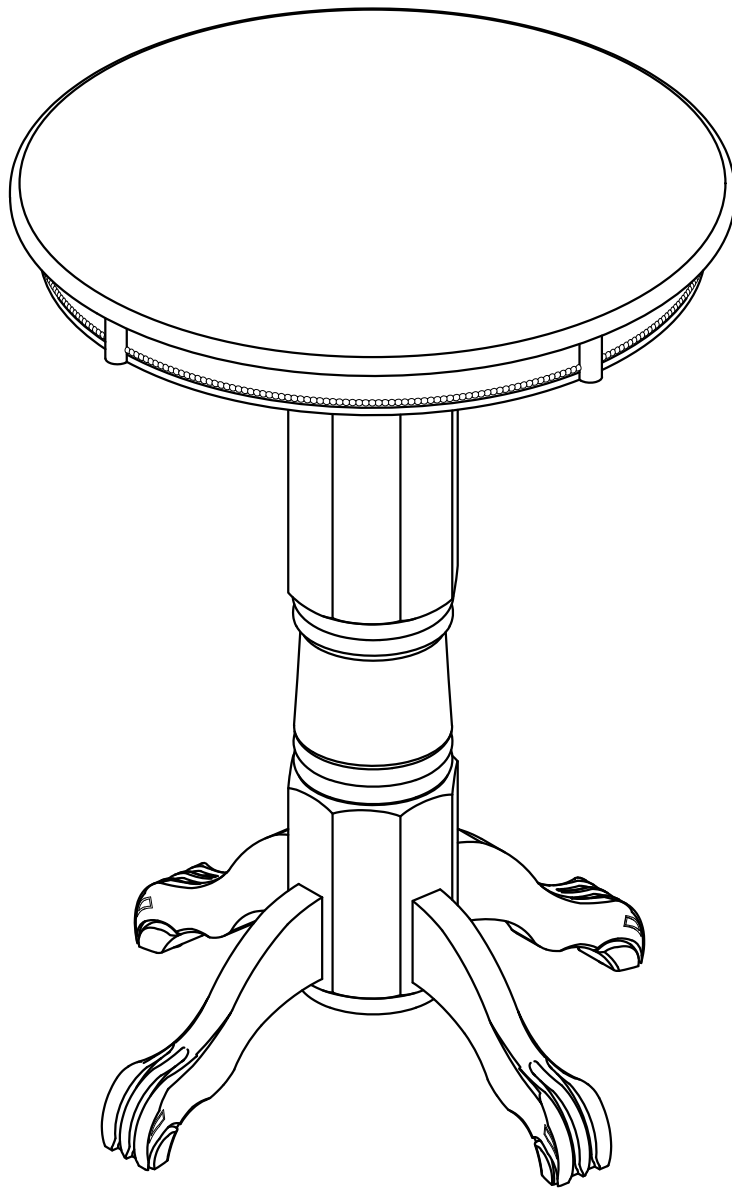
TIGHTEN BOLT COMPLETELY.

# 03

D	E	F
8 PCS M8*13	8 PCS M8*19	8 PCS M8*13



TIGHTEN HEX NUT COMPLETELY.



BE SURE TO CHECK ALL BOLTS ARE SECURELY TIGHTENED PRIOR USING THIS TABLE