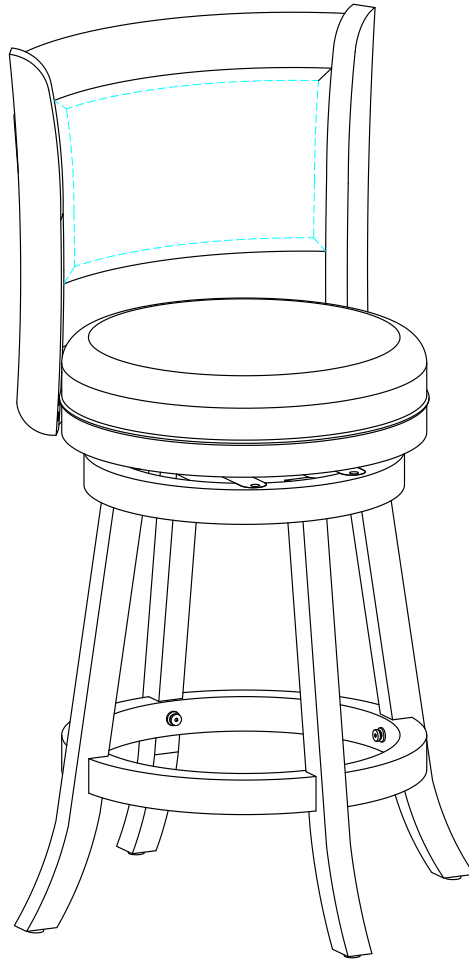




Boraam Industries

ASSEMBLY INSTRUCTIONS

SKU: 66624,66629,66724,66729 | RHEA SWIVEL STOOL



Have questions about assembling your item?



Items or parts damaged?



Missing a part?

We're here to help! (Monday-Friday from 9am-5pm CST)



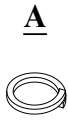
847-949-6300
877-267-2261



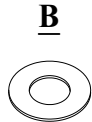
customerservice@
boraamindustries.com



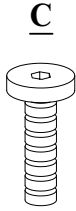
www.boraamindustries.com



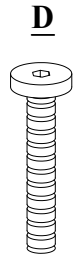
Spring Washer
18 PCS



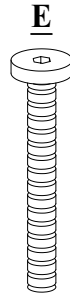
Flat Washer
18 PCS



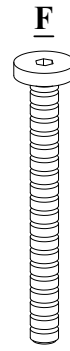
M6*25
4 PCS



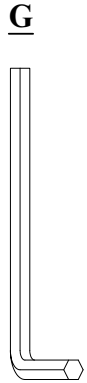
M6*40
8 PCS



M6*45
2 PCS

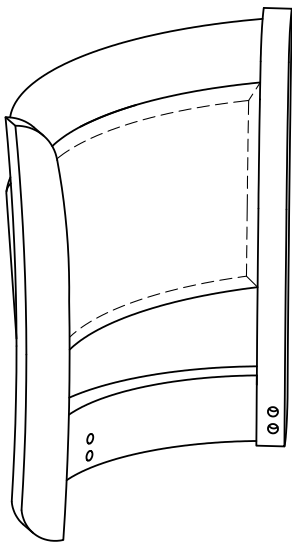


M6*50
4 PCS

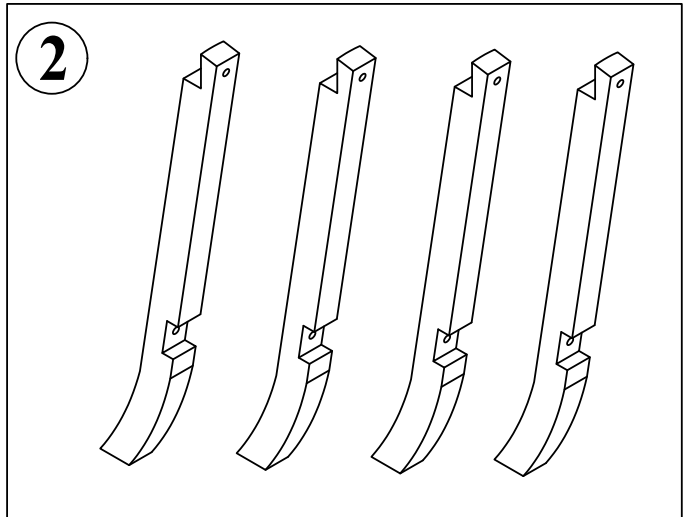


Allen Wrench
1 PC

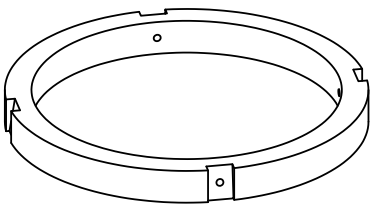
1



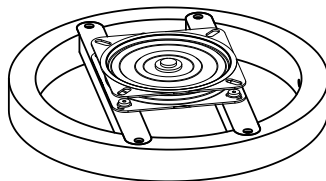
2



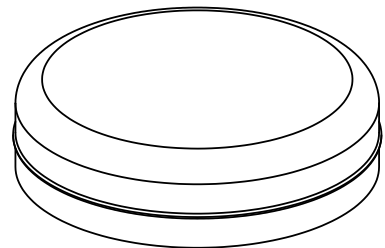
3



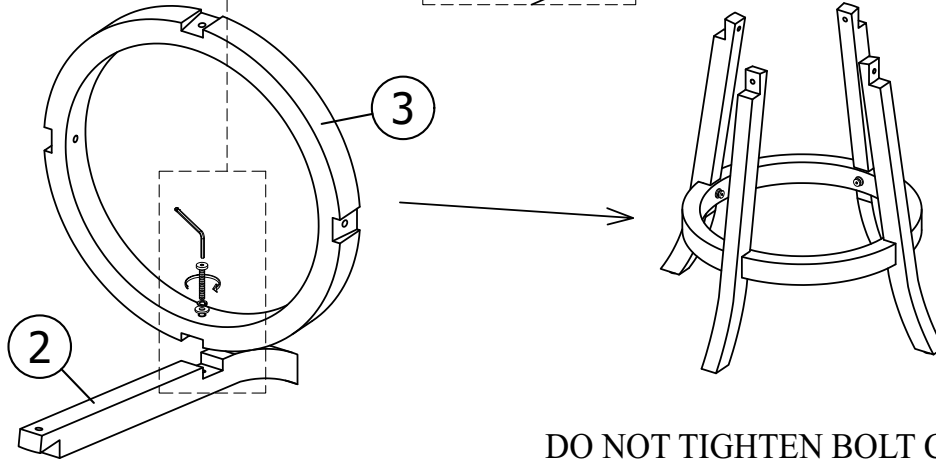
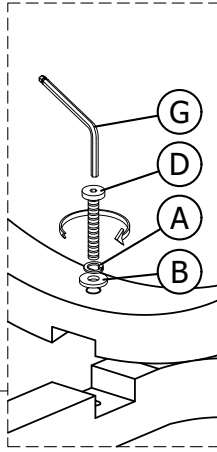
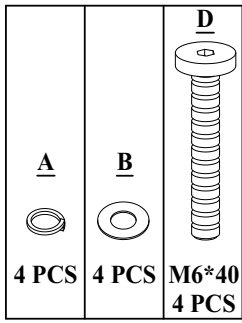
4



5

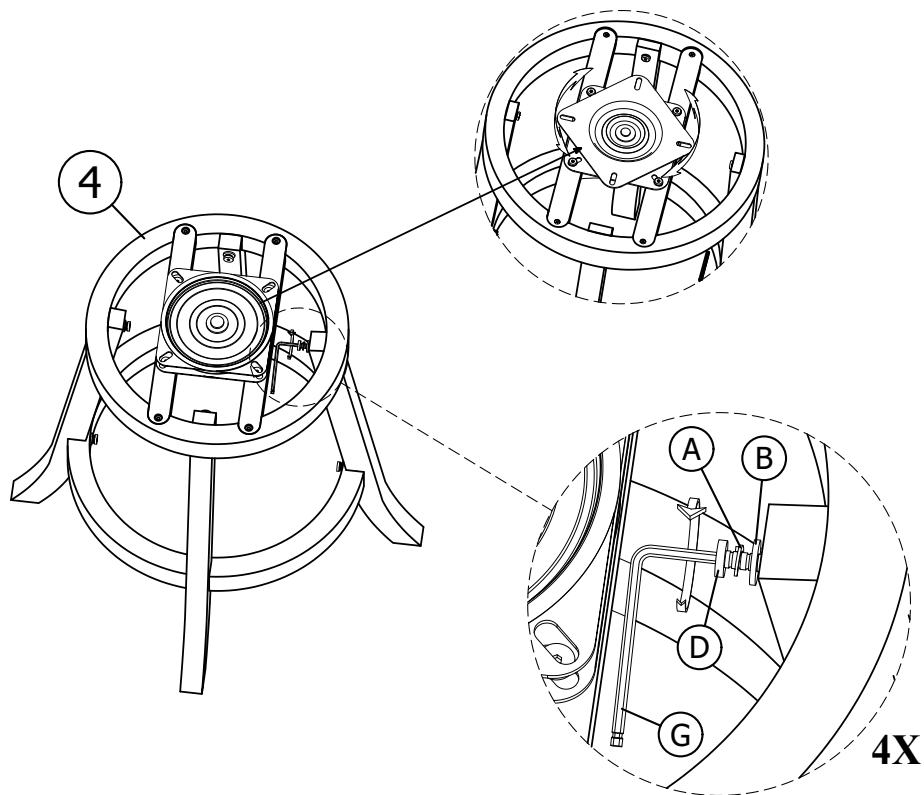
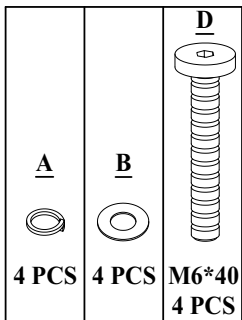


01





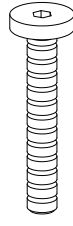
DO NOT TIGHTEN BOLT COMPLETELY.

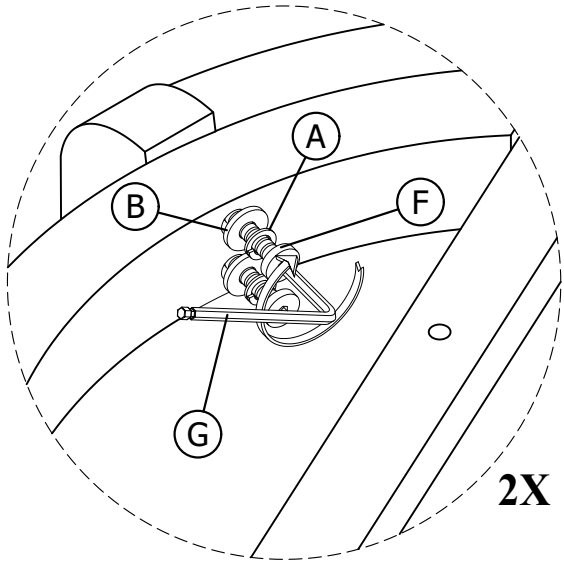
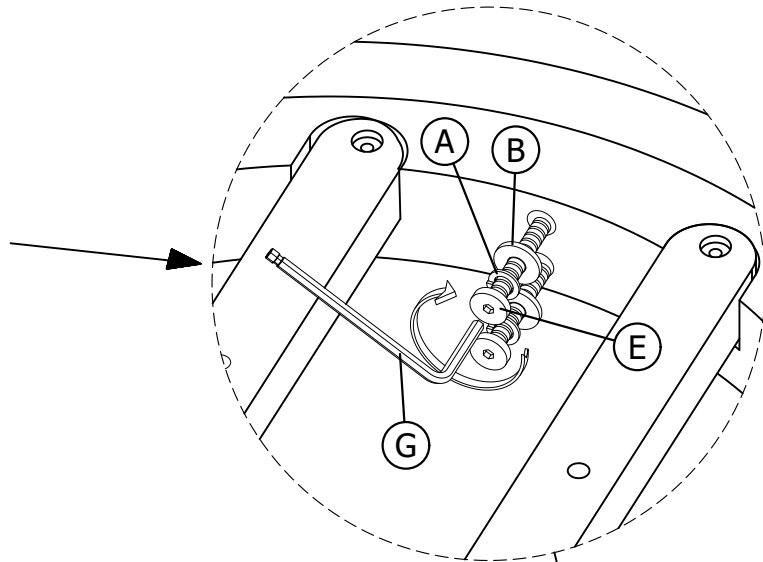
02



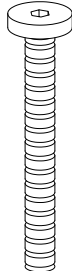


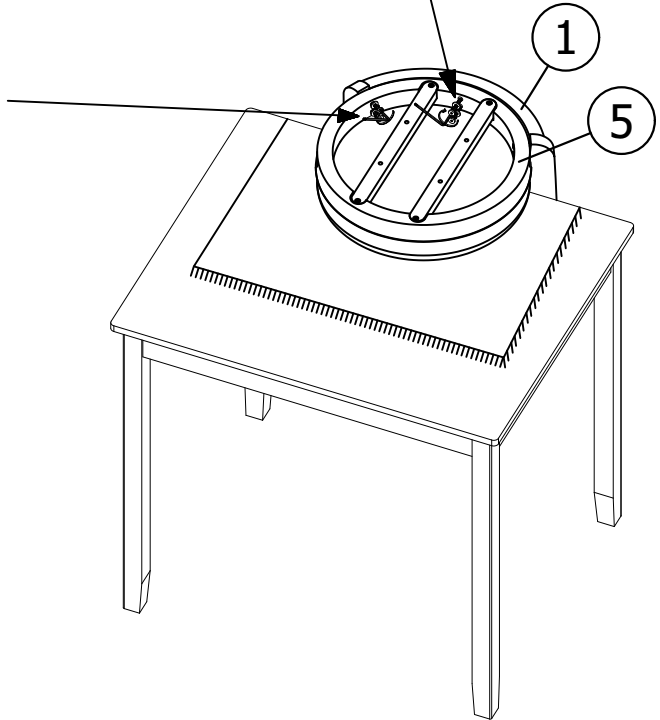
TIGHTEN BOLT COMPLETELY.

03

A	B	E
		
2 PCS	2 PCS	M6*45 2 PCS

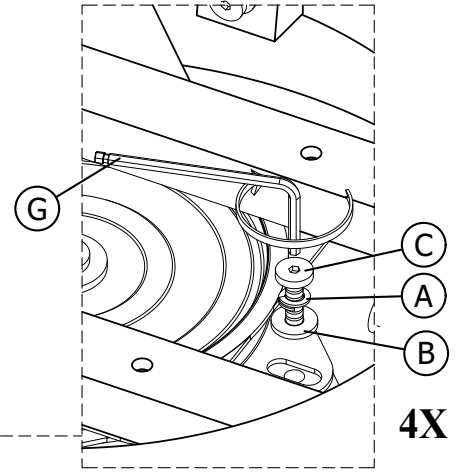
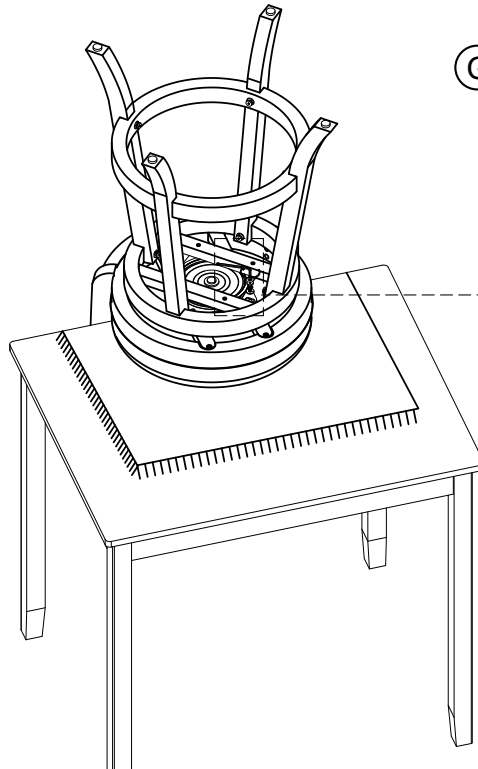
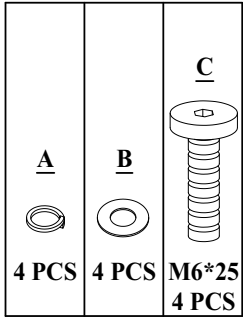


A	B	F
		
4 PCS	4 PCS	M6*50 4 PCS

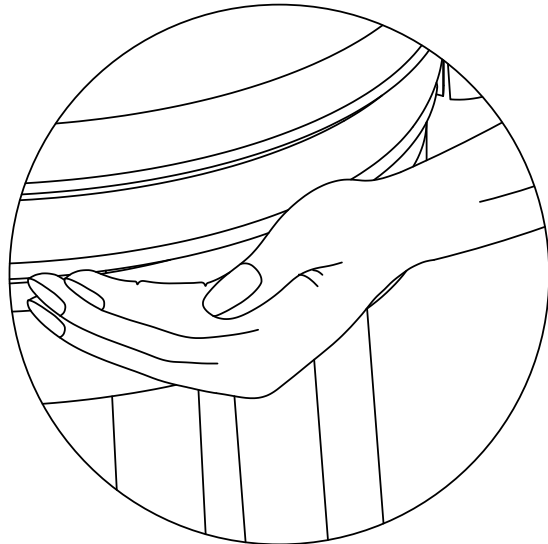
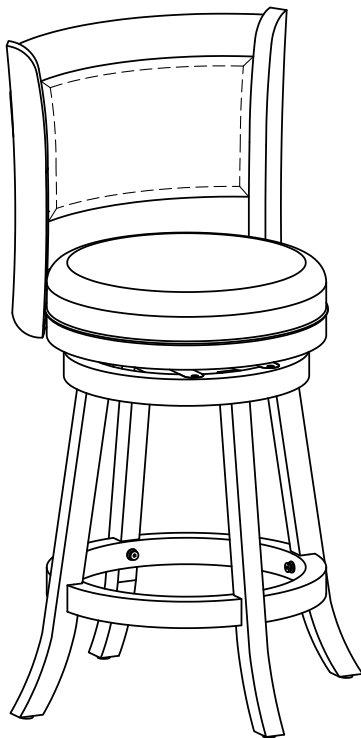


TIGHTEN BOLT COMPLETELY.

04



TIGHTEN BOLT COMPLETELY.



BE SURE TO CHECK ALL BOLTS ARE SECURELY TIGHTENED PRIOR USING THIS STOOL