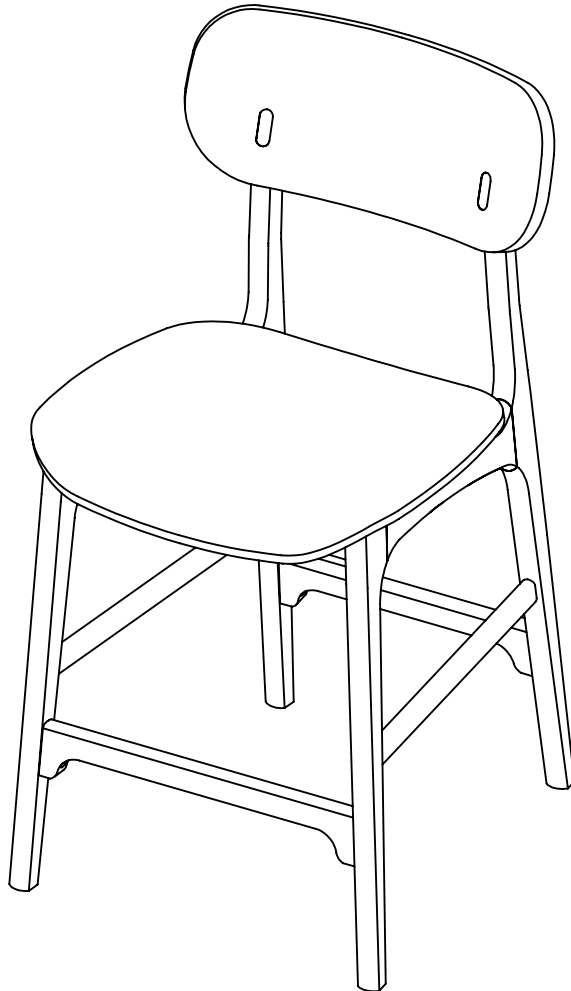




Boraam Industries

ASSEMBLY INSTRUCTIONS

SKU: 60024,60324,60724,60029,60329,60729
SOLVANG STOOL



Have questions about
assembling your item?



Items or parts damaged?



Missing a part?

We're here to help! (Monday-Friday from 9am-5pm CST)



847-949-6300
877-267-2261



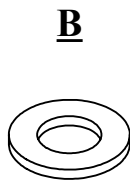
customerservice@
boraamindustries.com



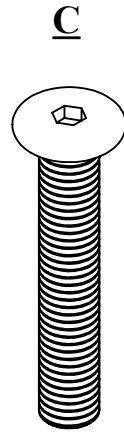
www.boraamindustries.com



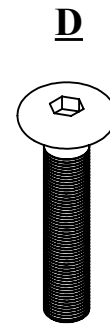
SPRING WASHER
10PCS
M8*10



FLAT WASHER
10PCS
M8*16



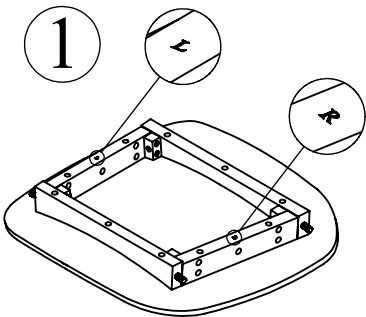
BOLT
14PCS
M8*45



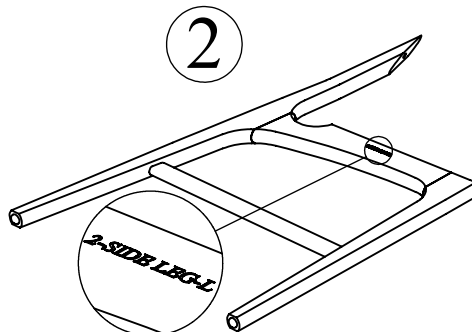
BOLT
2PCS
M6*30



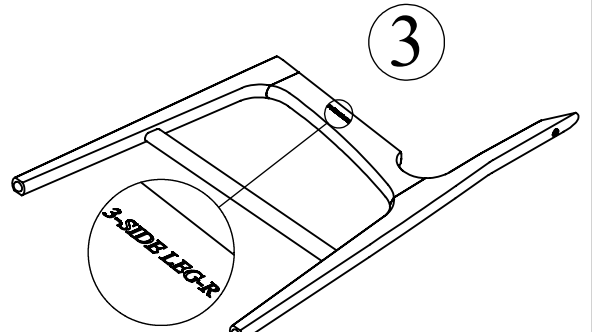
1PC
Allen Wrench
M4*110



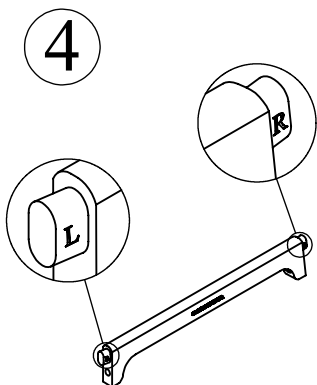
SEAT WITH FRAME



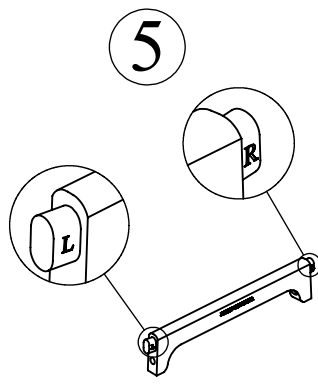
SIDE LEG-L



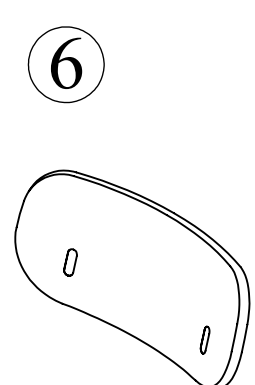
SIDE LEG-R



REAR STRETCHER

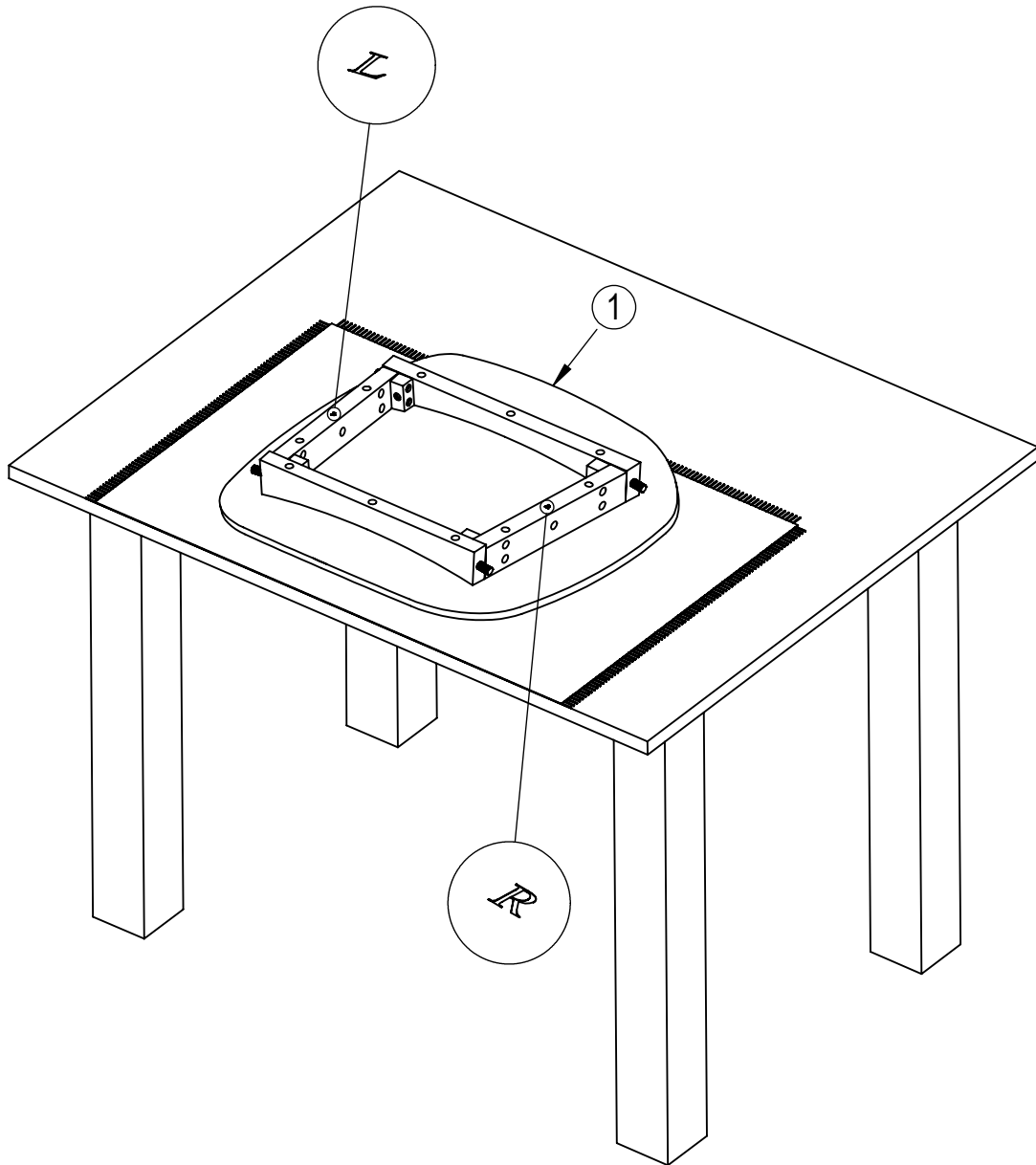


BEHIND STRETCHER



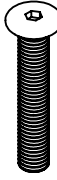


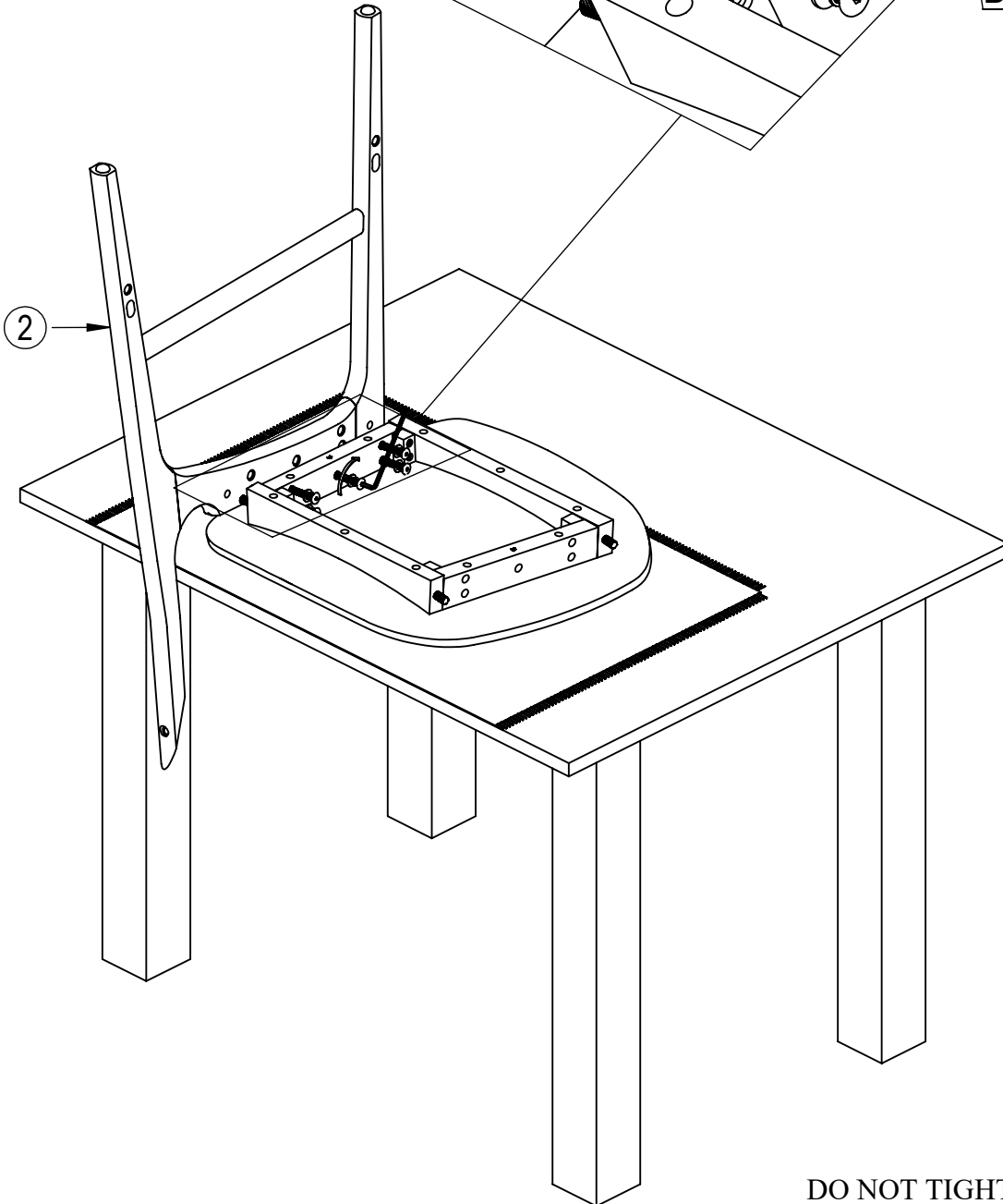
BACKREST

01



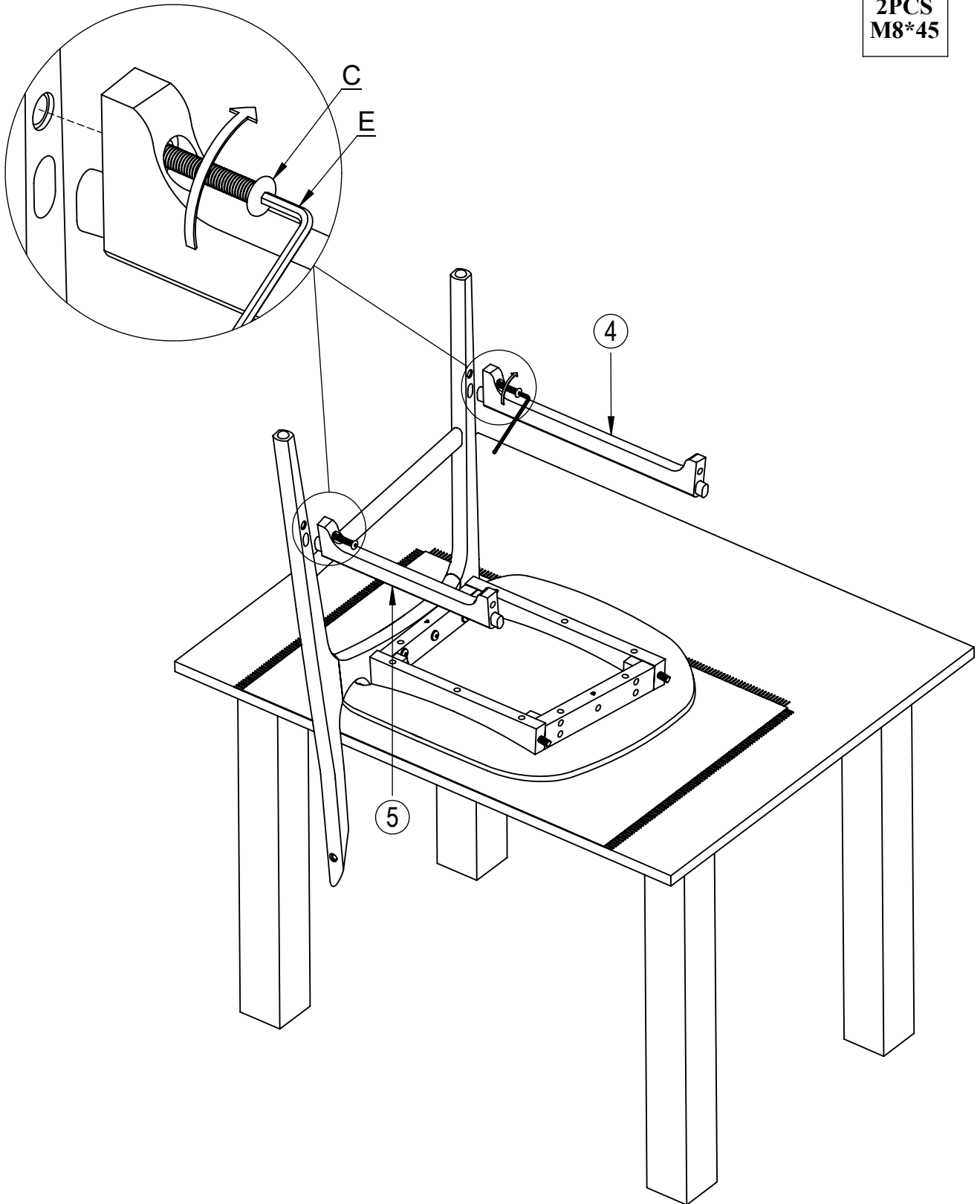
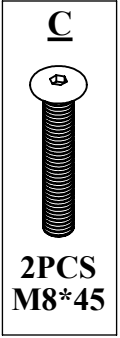
02

A  5PCS M8*10	B  5PCS M8*16	C  5PCS M8*45
--	--	--



DO NOT TIGHTEN BOLT COMPLETELY

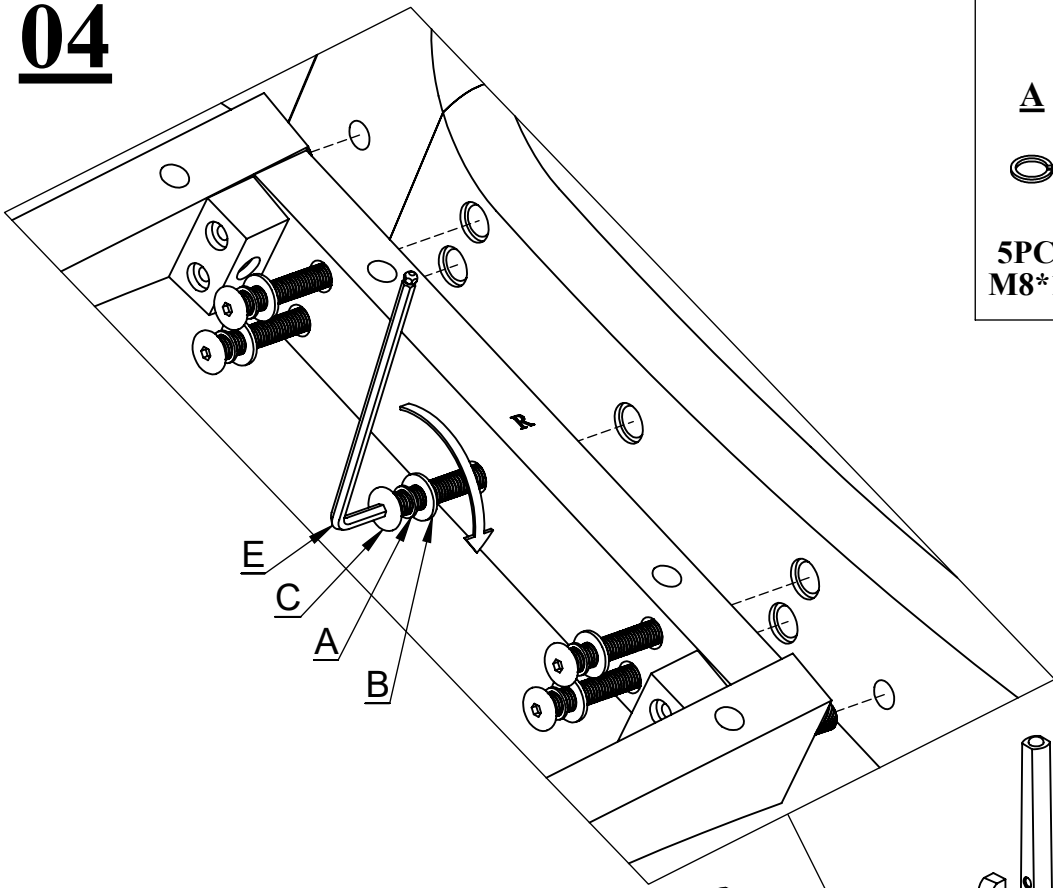
03



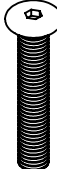


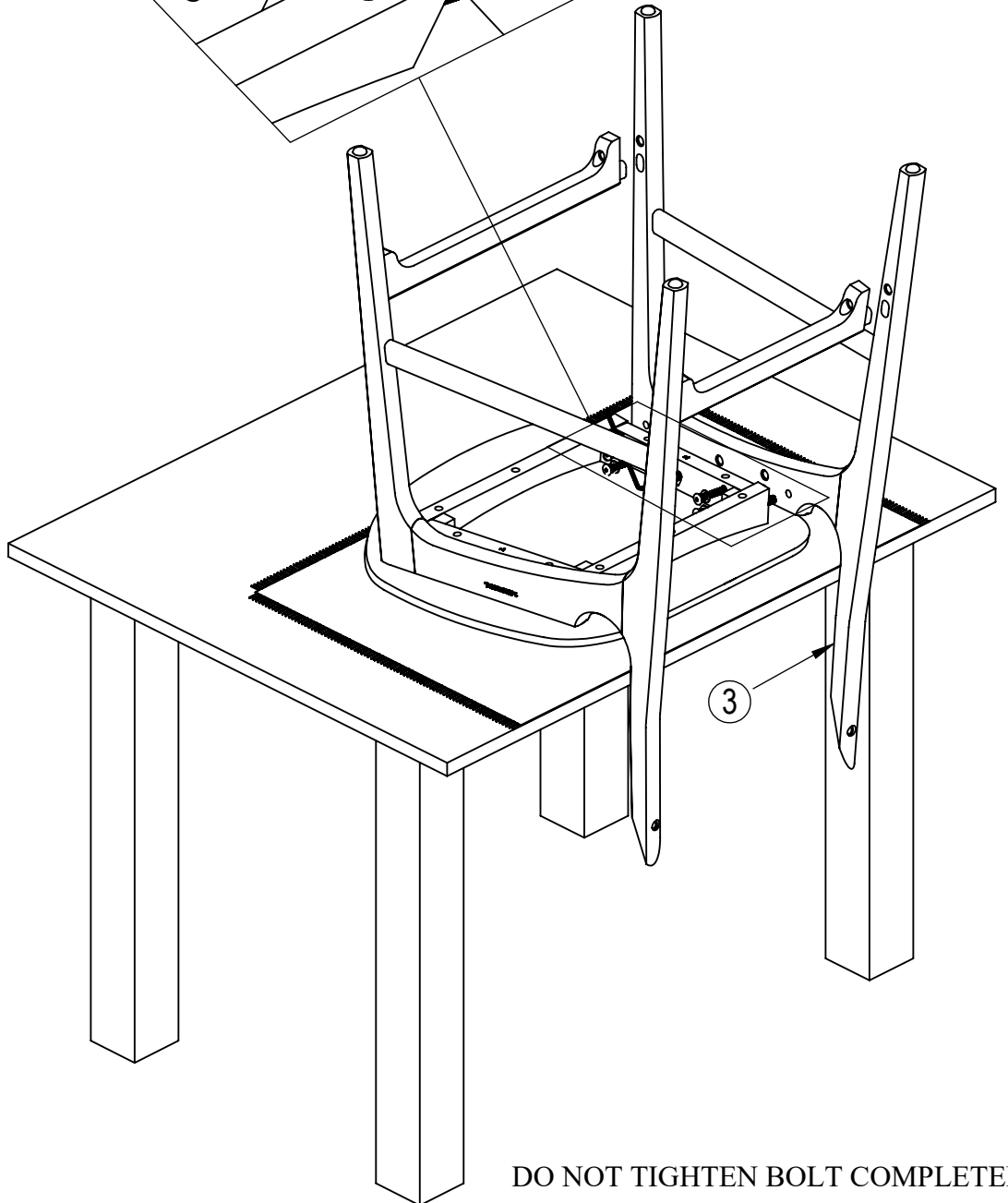
DO NOT TIGHTEN BOLT COMPLETELY

847-949-6300 | 877-267-2261 | customerservice@boraamindustries.com

04



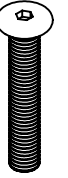
A	B	C
		
5PCS M8*10	5PCS M8*16	5PCS M8*45



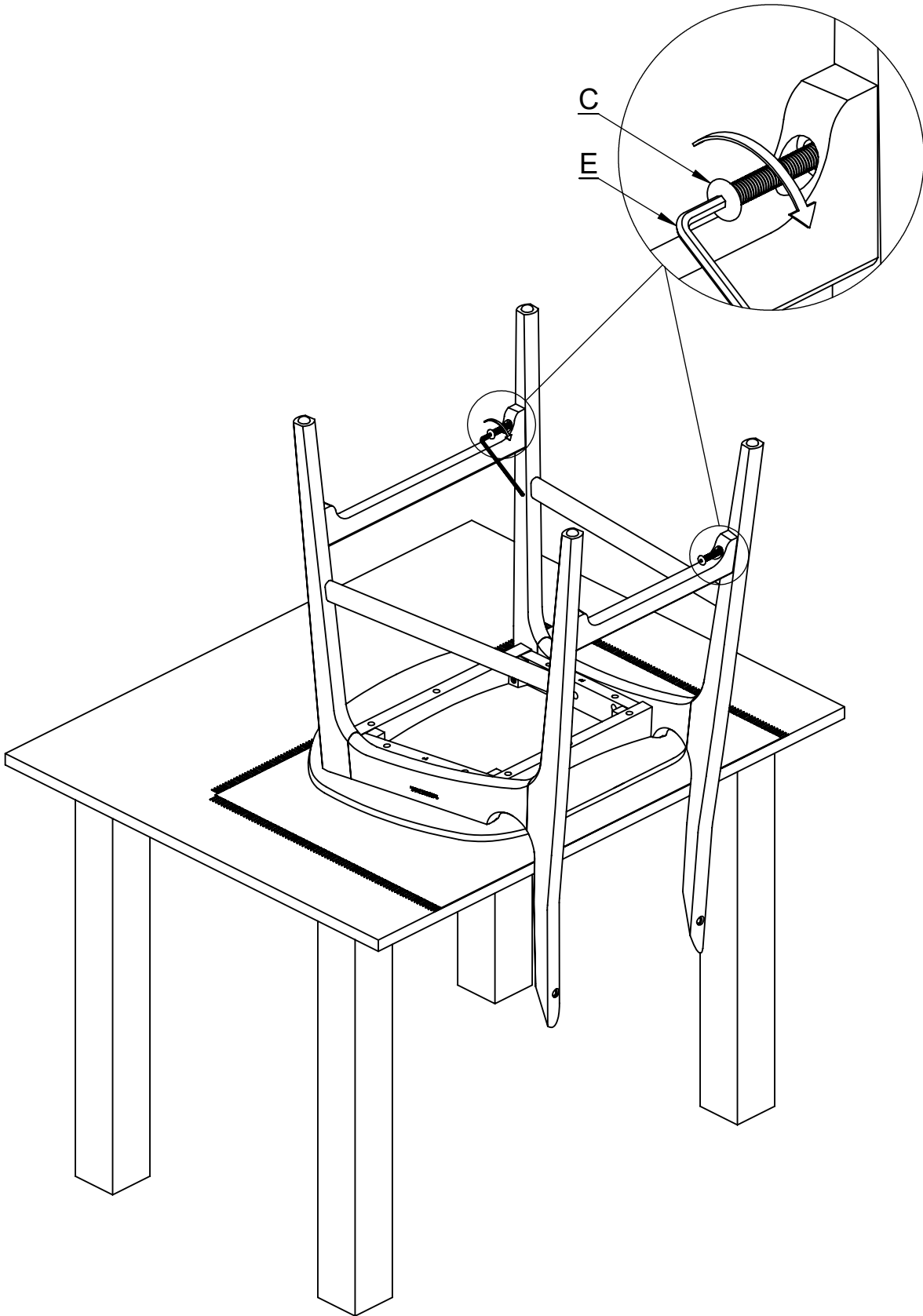
DO NOT TIGHTEN BOLT COMPLETELY

05

C



**2PCS
M8*45**



DO NOT TIGHTEN BOLT COMPLETELY

847-949-6300 | 877-267-2261 | customerservice@boraamindustries.com

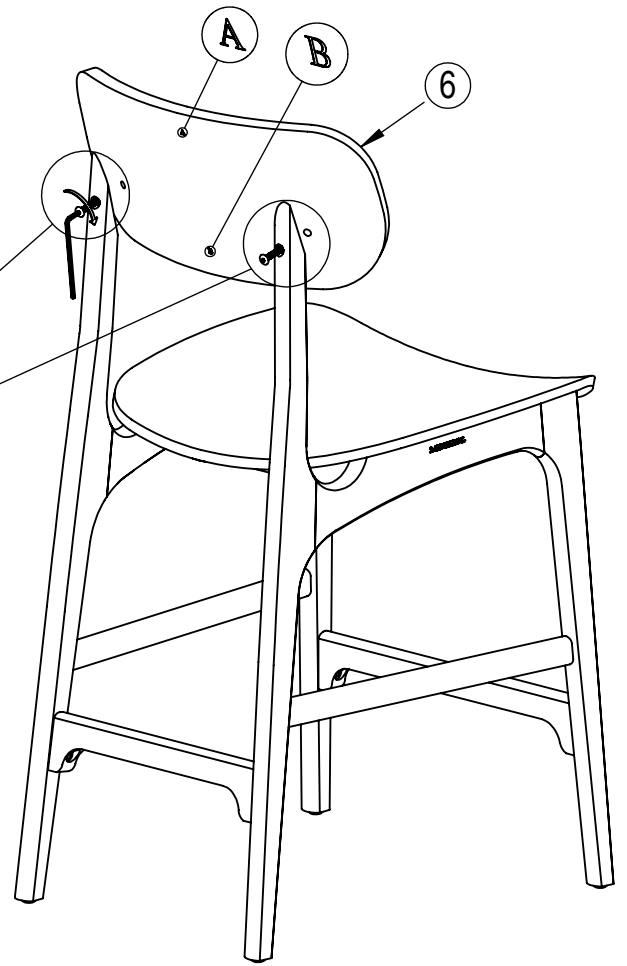
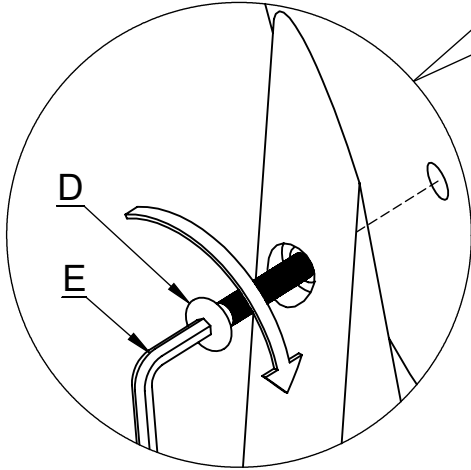
Page 7 of 8

06

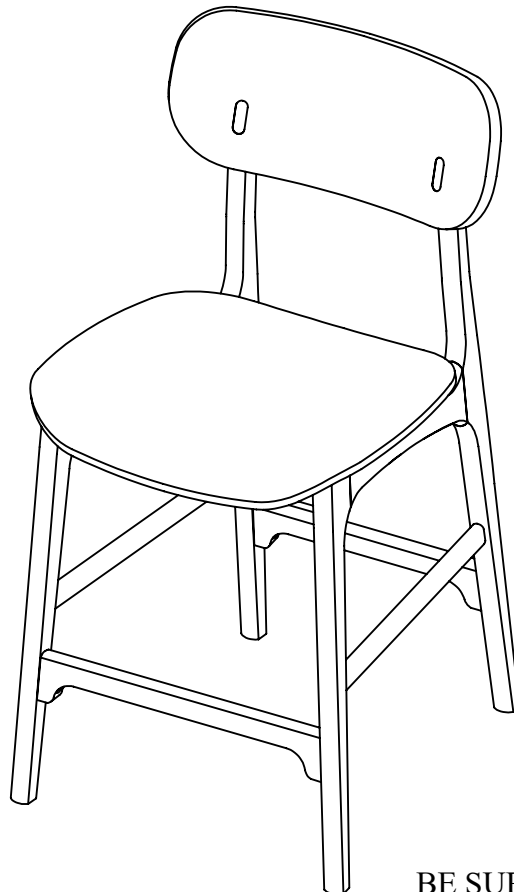
D



**2PCS
M6*30**



TIGHTEN BOLT COMPLETELY



**BE SURE TO CHECK ALL BOLTS SECURELY
TIGHTENED PRIOR USING THIS STOOL**