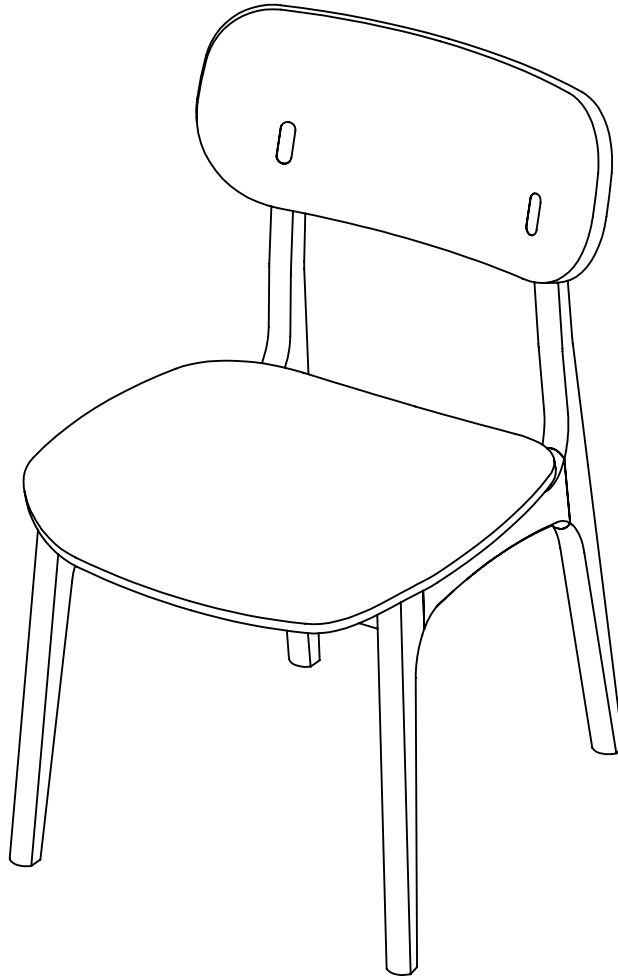




Boraam Industries

ASSEMBLY INSTRUCTIONS

SKU: 60018,60118,60218 | SOLVANG DINING CHAIR



Have questions about assembling your item?



Items or parts damaged?



Missing a part?

We're here to help! (Monday-Friday from 9am-5pm CST)



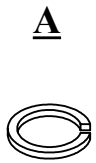
847-949-6300
877-267-2261



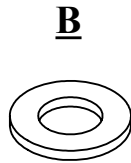
customerservice@
boraamindustries.com



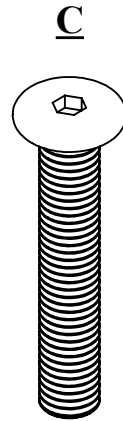
www.boraamindustries.com



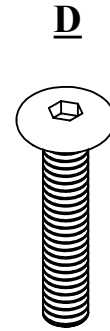
SPRING WASHER
10PCS
M8*10



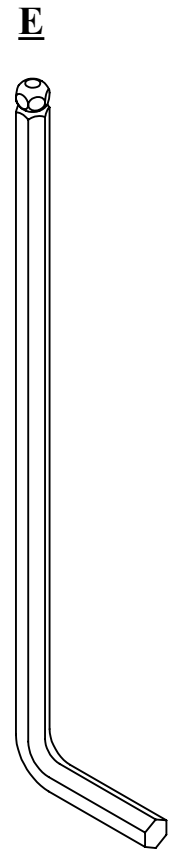
FLAT WASHER
10PCS
M8*16



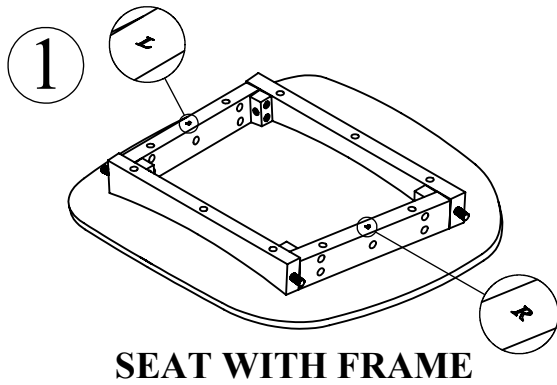
BOLT
10PCS
M8*45



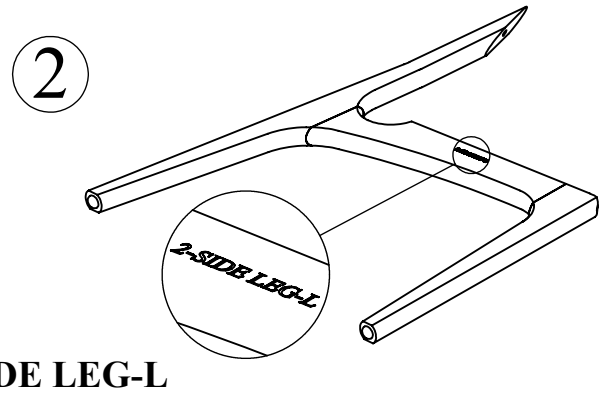
BOLT
2PCS
M6*30



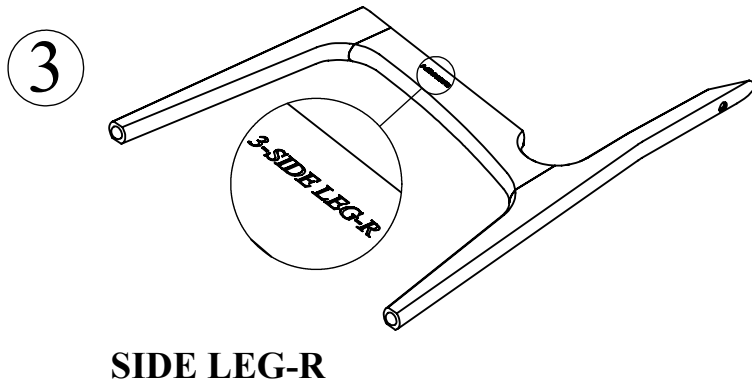
1PC
Allen Wrench
M4*110



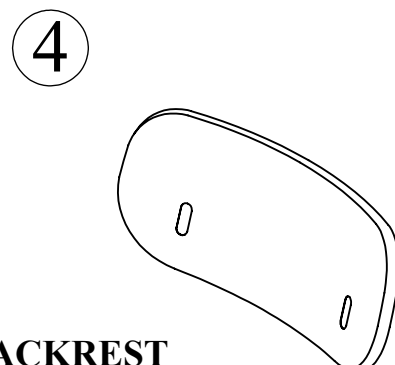
SEAT WITH FRAME



SIDE LEG-L

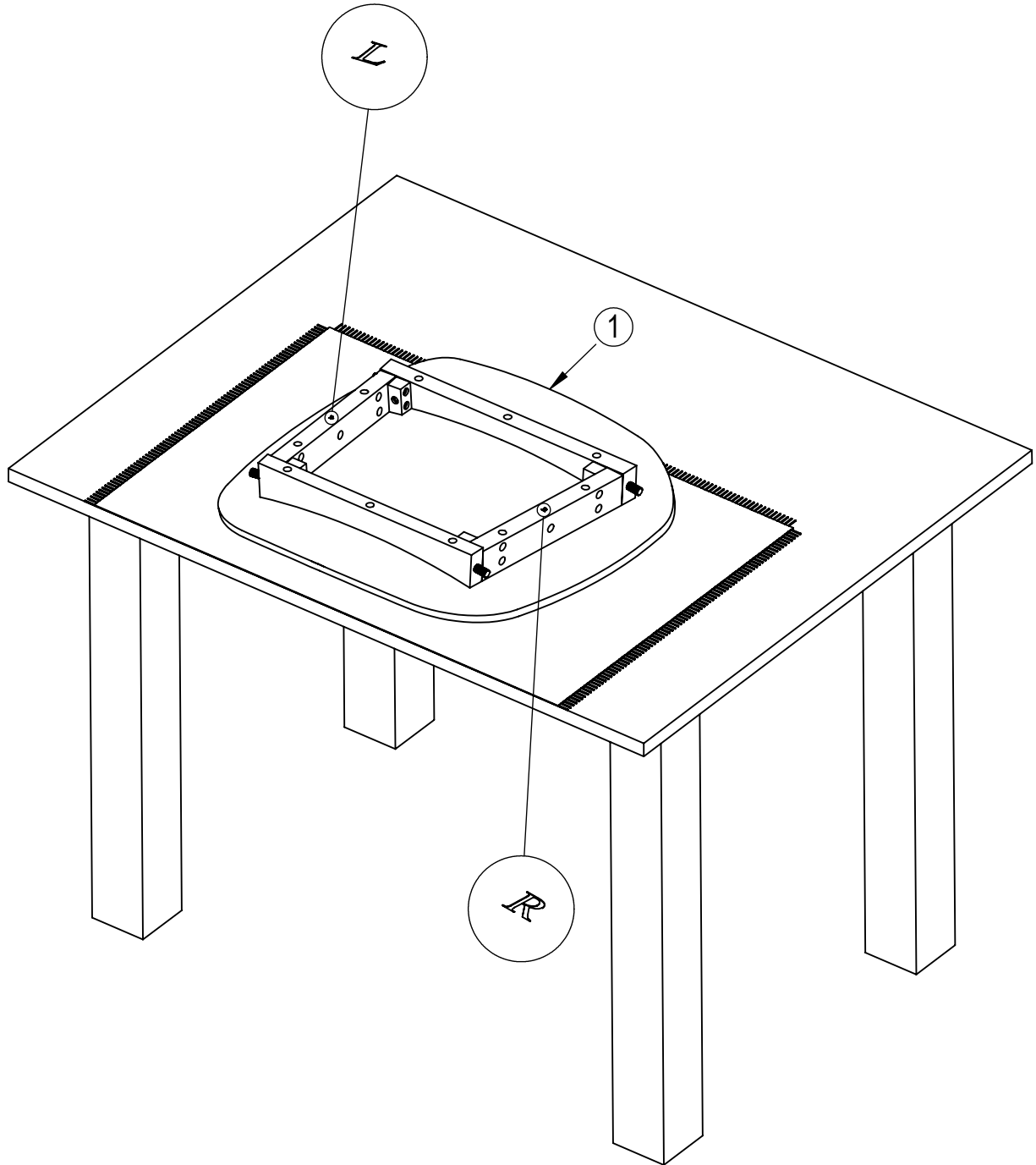


SIDE LEG-R



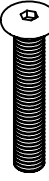


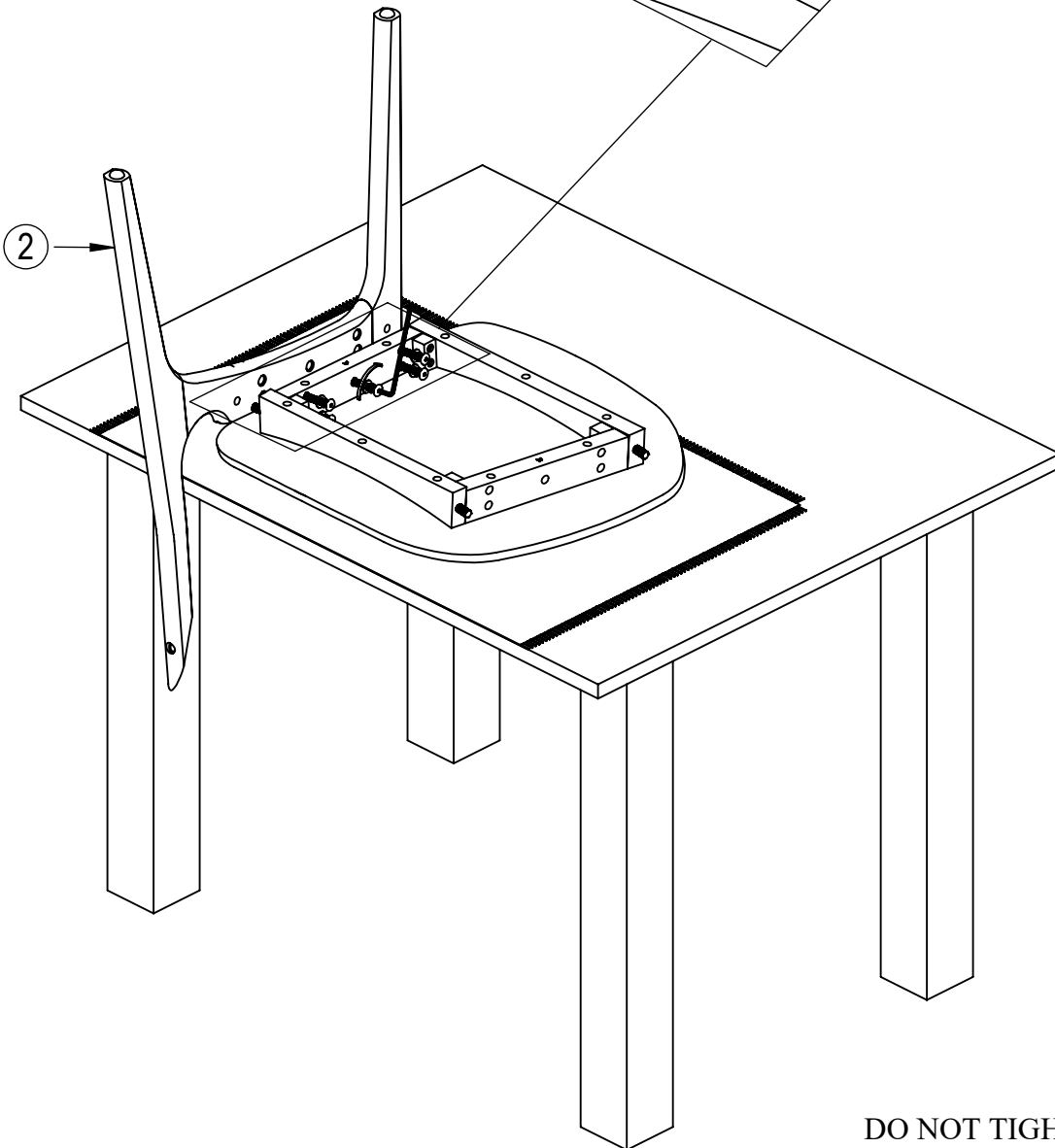
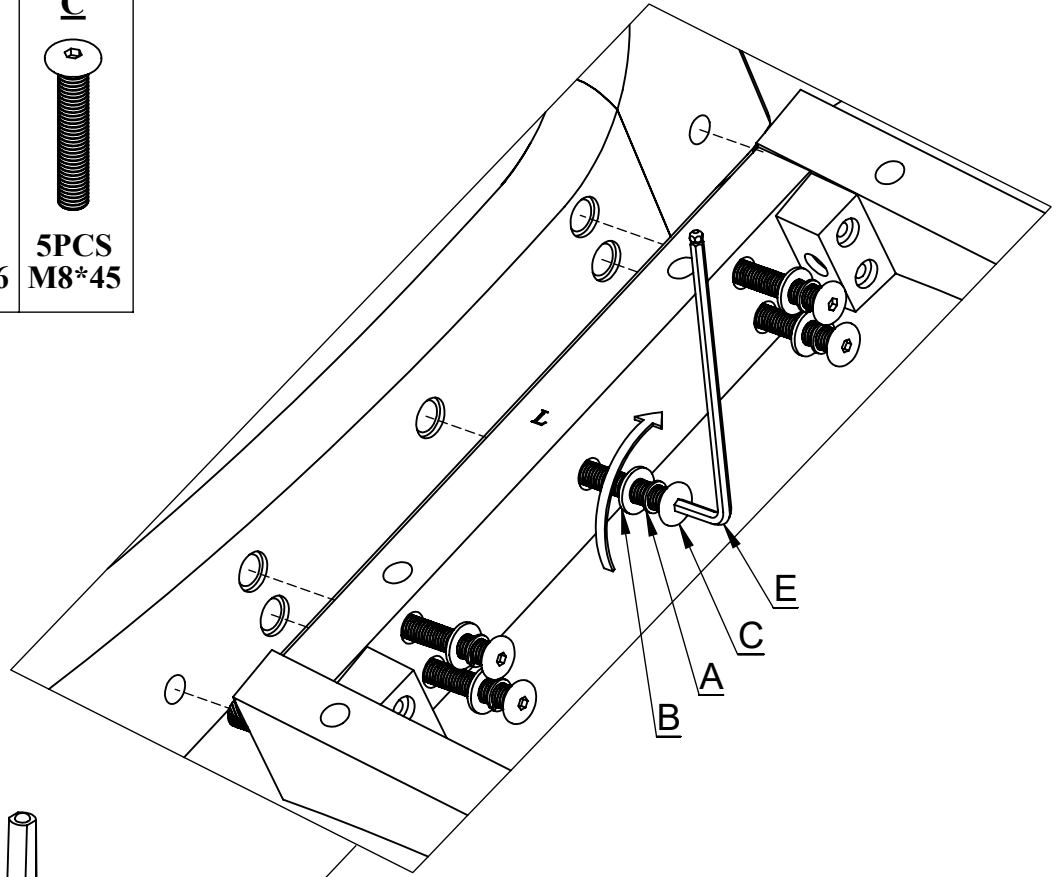
BACKREST

01



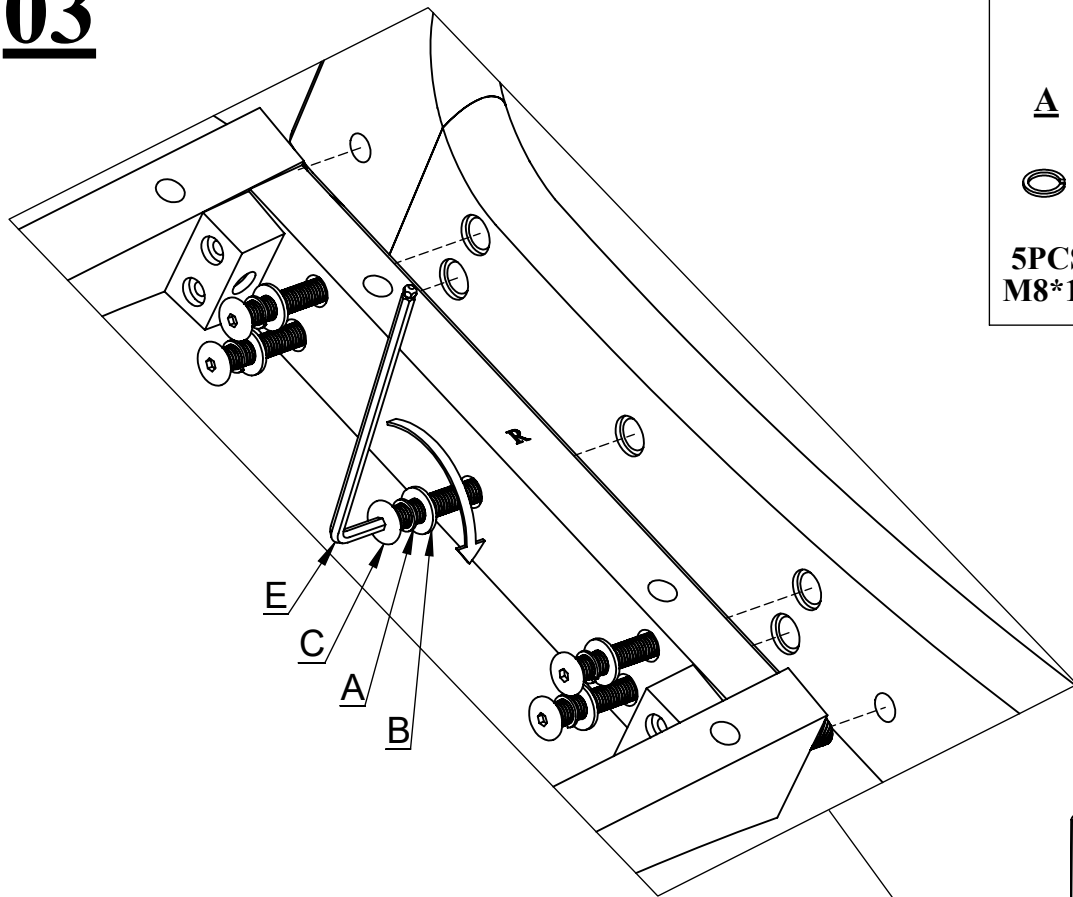
02



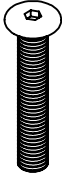
A	B	C
		
5PCS M8*10	5PCS M8*16	5PCS M8*45

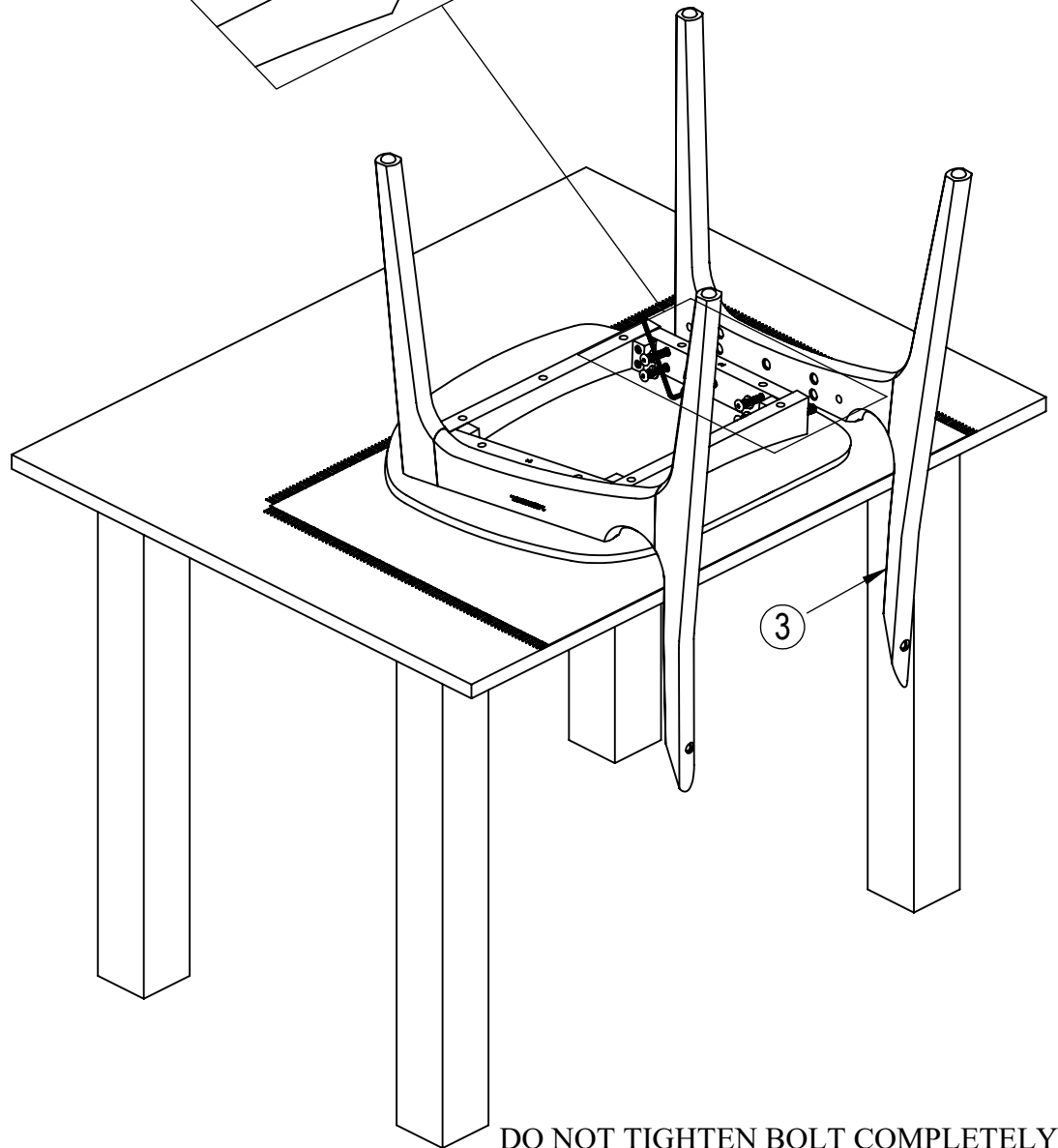


DO NOT TIGHTEN BOLT COMPLETELY

03



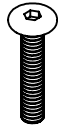
A	B	C
		
5PCS M8*10	5PCS M8*16	5PCS M8*45



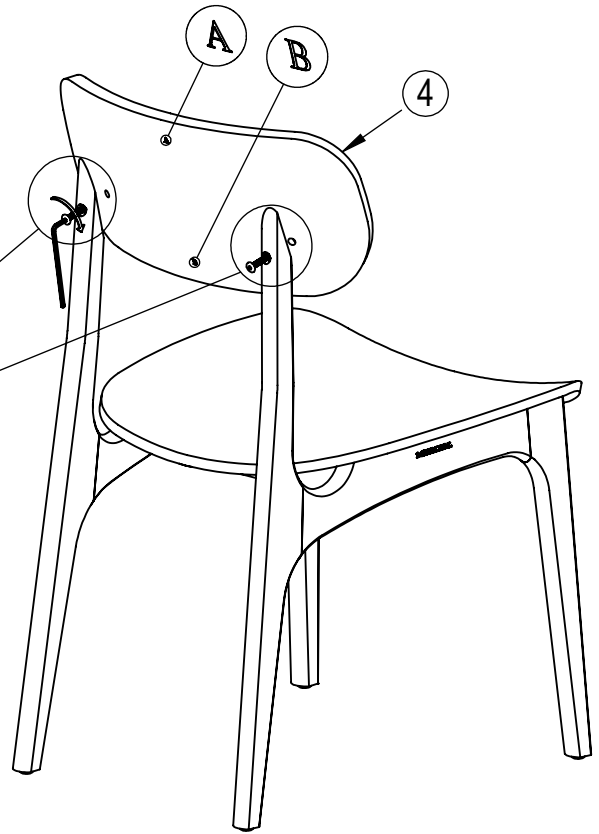
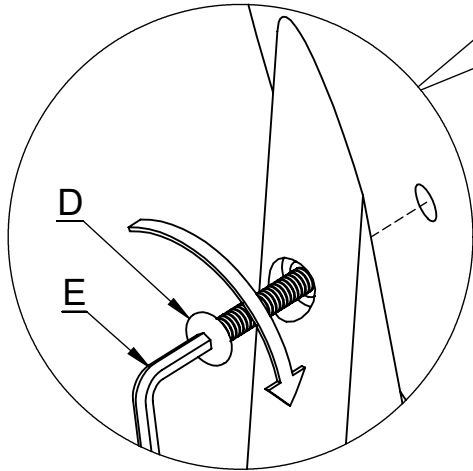
DO NOT TIGHTEN BOLT COMPLETELY

04

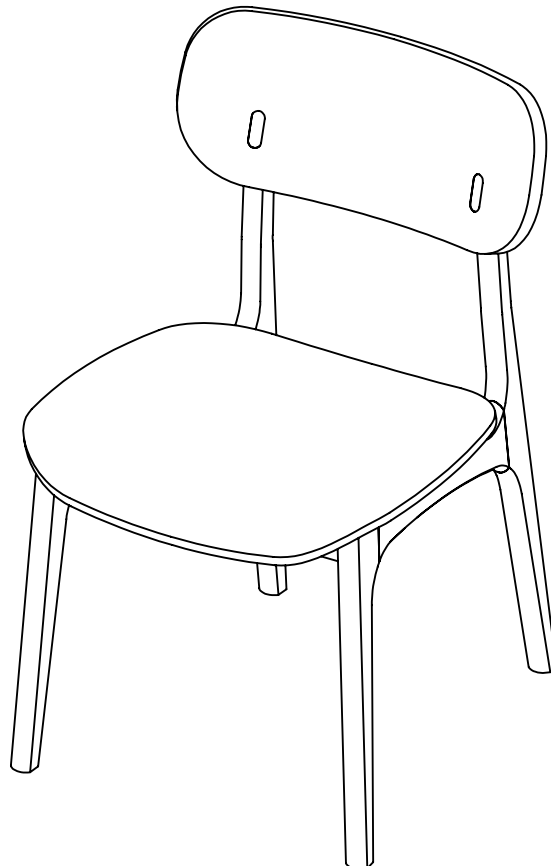
D



**2PCS
M6*30**



DO NOT TIGHTEN BOLT COMPLETELY



**BE SURE TO CHECK ALL BOLTS SECURELY
TIGHTENED PRIOR USING THIS CHAIR**

847-949-6300 | 877-267-2261 | customerservice@boraamindustries.com