

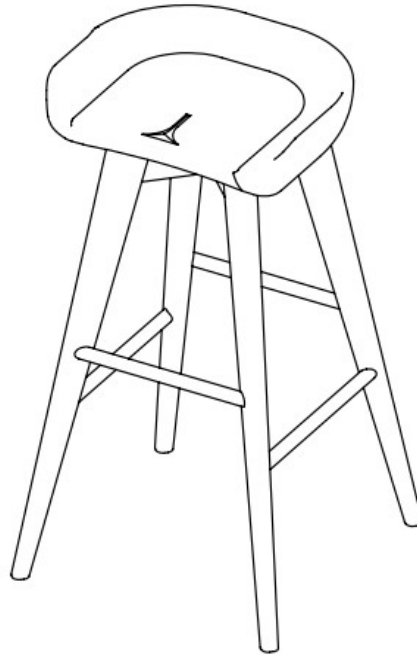


Boraam Industries

ASSEMBLY INSTRUCTIONS

SKU: 54124,54224,55124,56124,54129,54229,55129,56129

BALI SWIVEL STOOL



Have questions about assembling your item?



Items or parts damaged?



Missing a part?

We're here to help! (Monday-Friday from 9am-5pm CST)



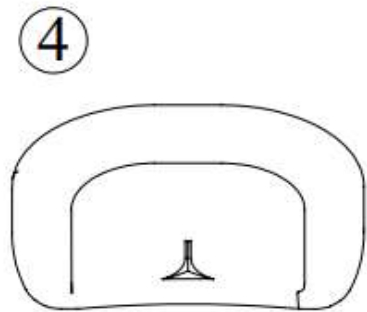
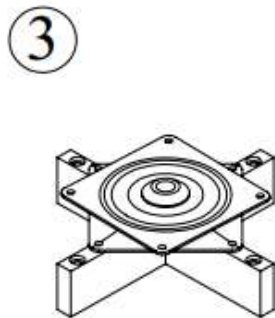
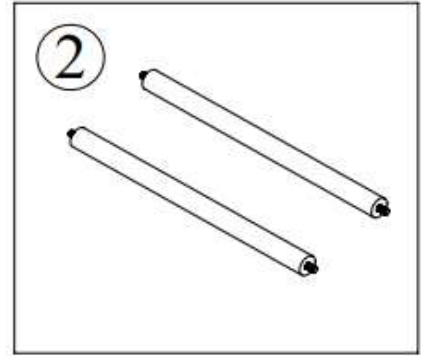
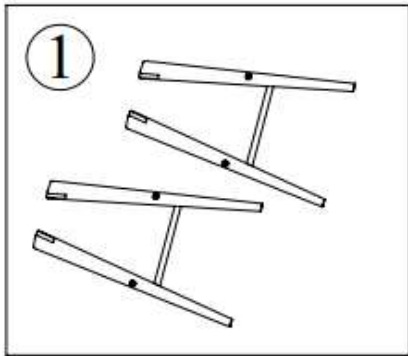
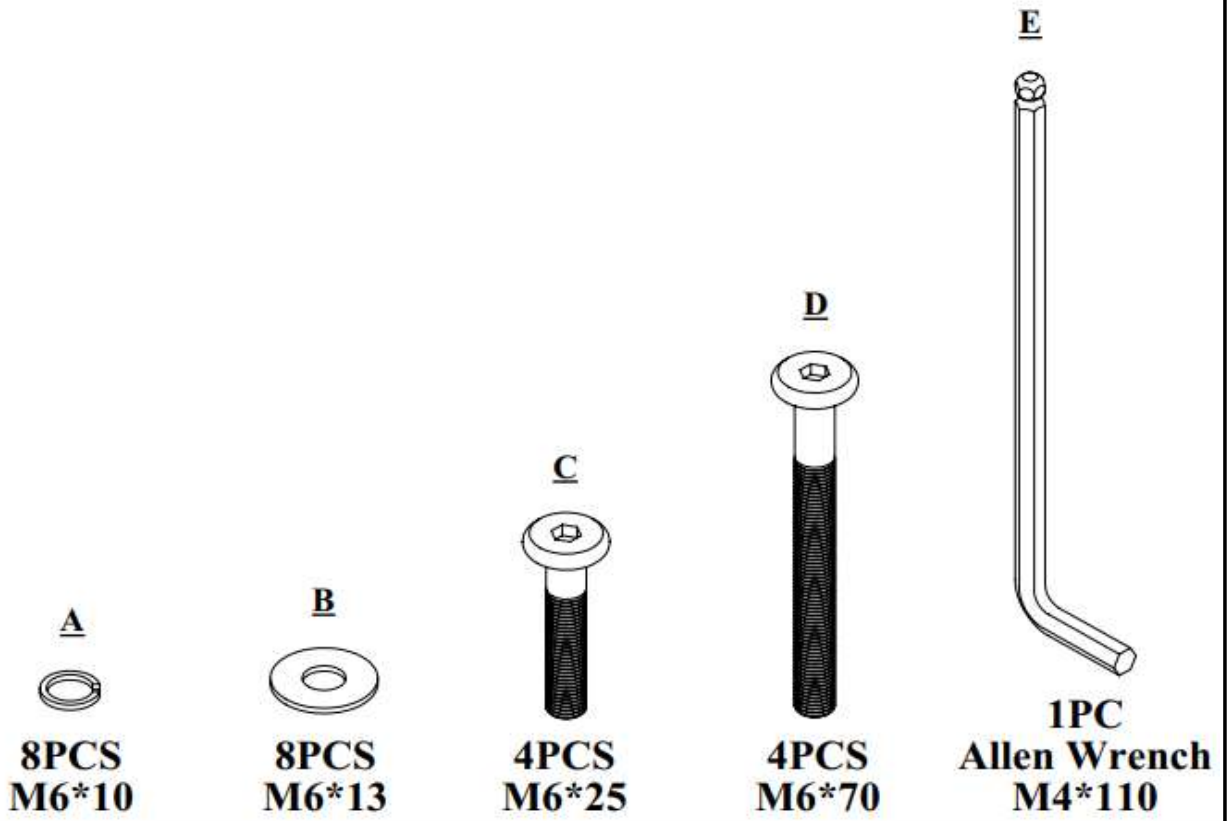
847-949-6300
877-267-2261



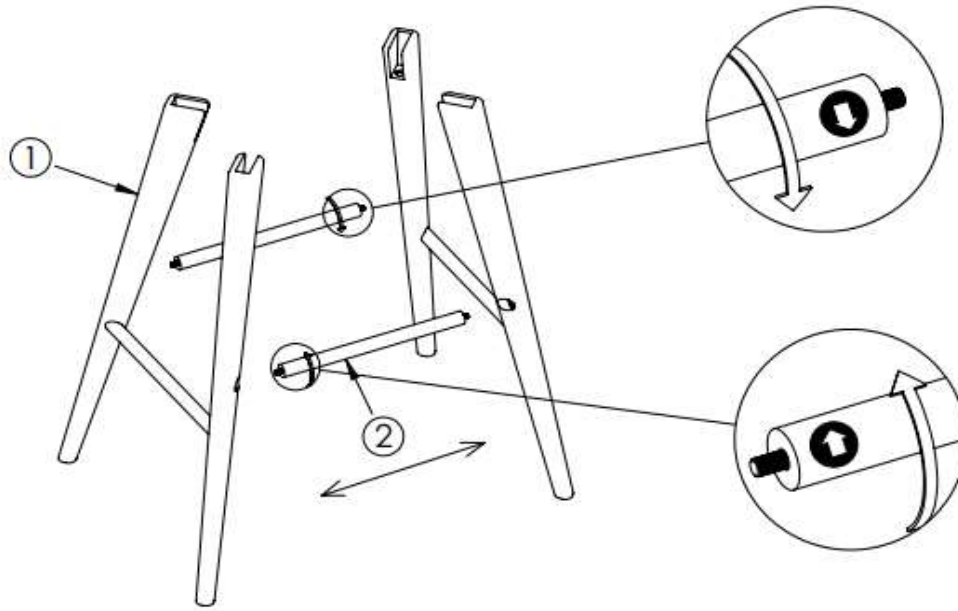
customerservice@
boraamindustries.com



www.boraamindustries.com

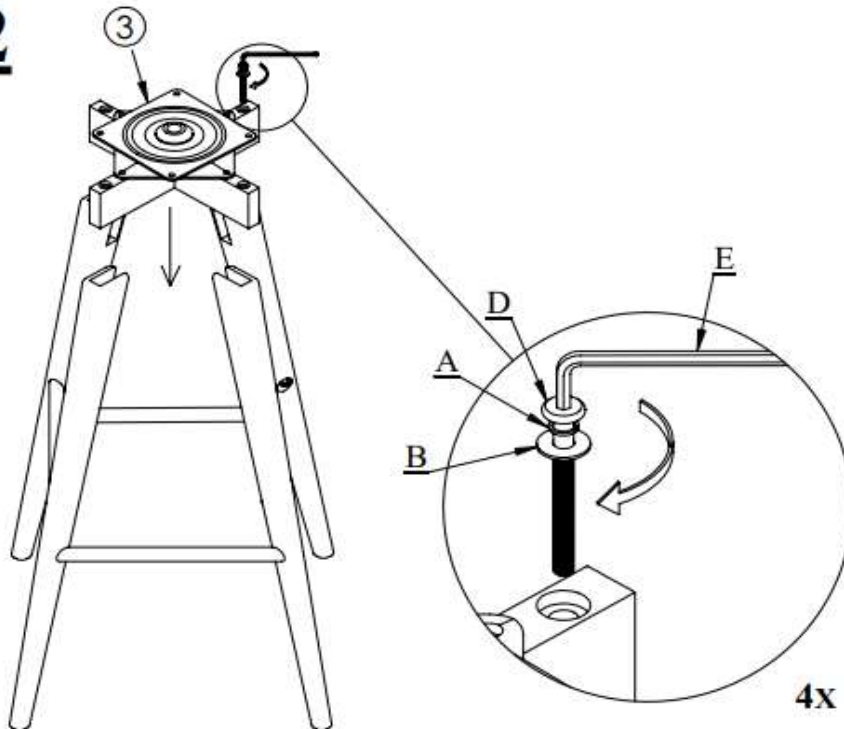





01



DO NOT TIGHTEN BOLT COMPLETELY




02

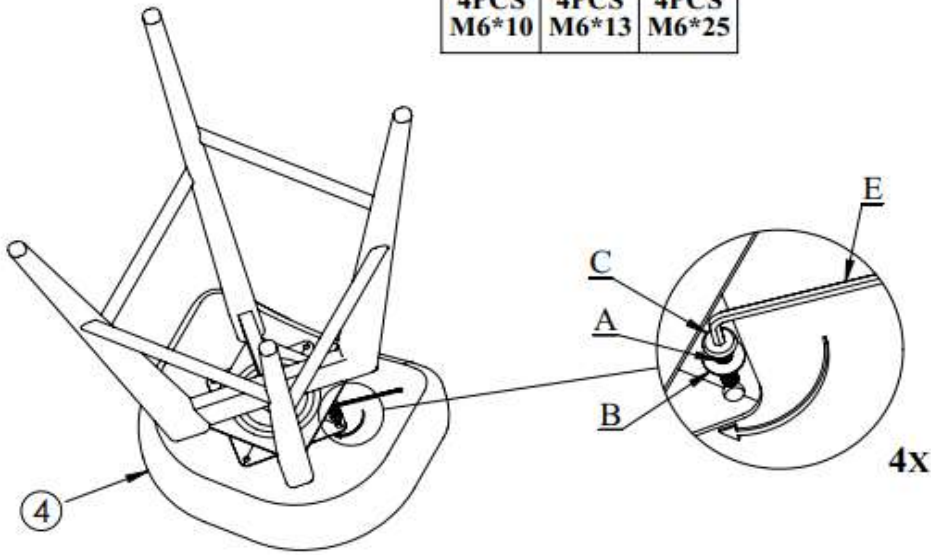


A	B	D
		
4PCS M6*10	4PCS M6*13	4PCS M6*70

TIGHTEN BOLT COMPLETELY

03

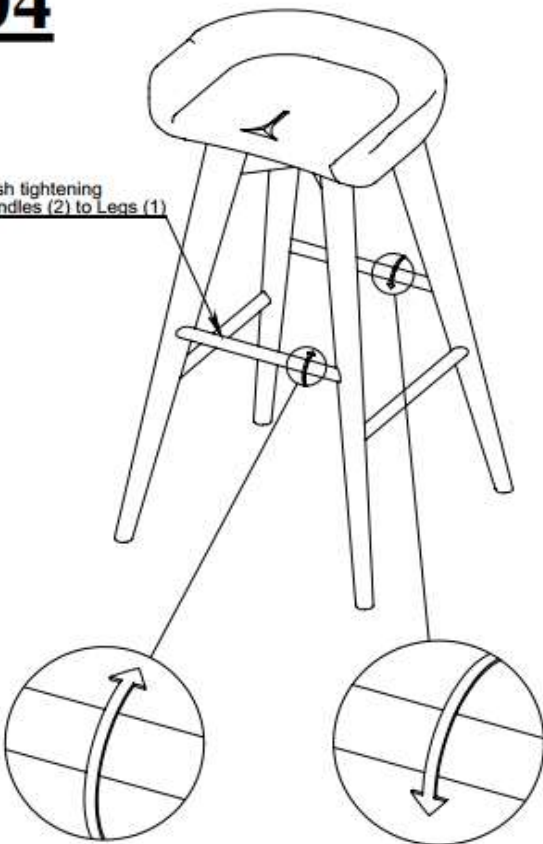
A 	B 	C 
4PCS M6*10	4PCS M6*13	4PCS M6*25



TIGHTEN BOLT COMPLETELY

04

Finish tightening
Spindles (2) to Legs (1)



BE SURE TO CHECK ALL BOLTS SECURELY
TIGHTENED PRIOR USING THIS STOOL

847-949-6300 | 877-267-2261 | customerservice@boraamindustries.com