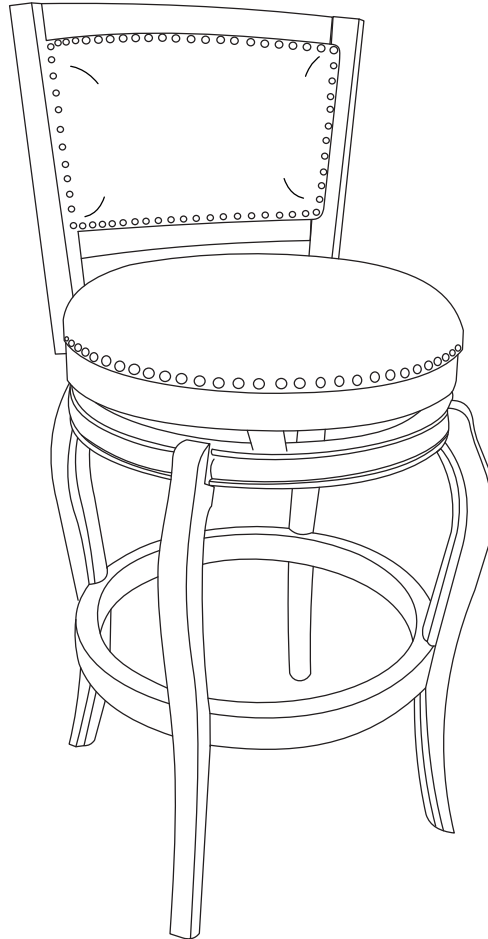




Boraam Industries

ASSEMBLY INSTRUCTIONS

SKU: 51129,51229,51329
HARRIS SWIVEL STOOL



Have questions about assembling your item?



Items or parts damaged?



Missing a part?

We're here to help! (Monday-Friday from 9am-5pm CST)



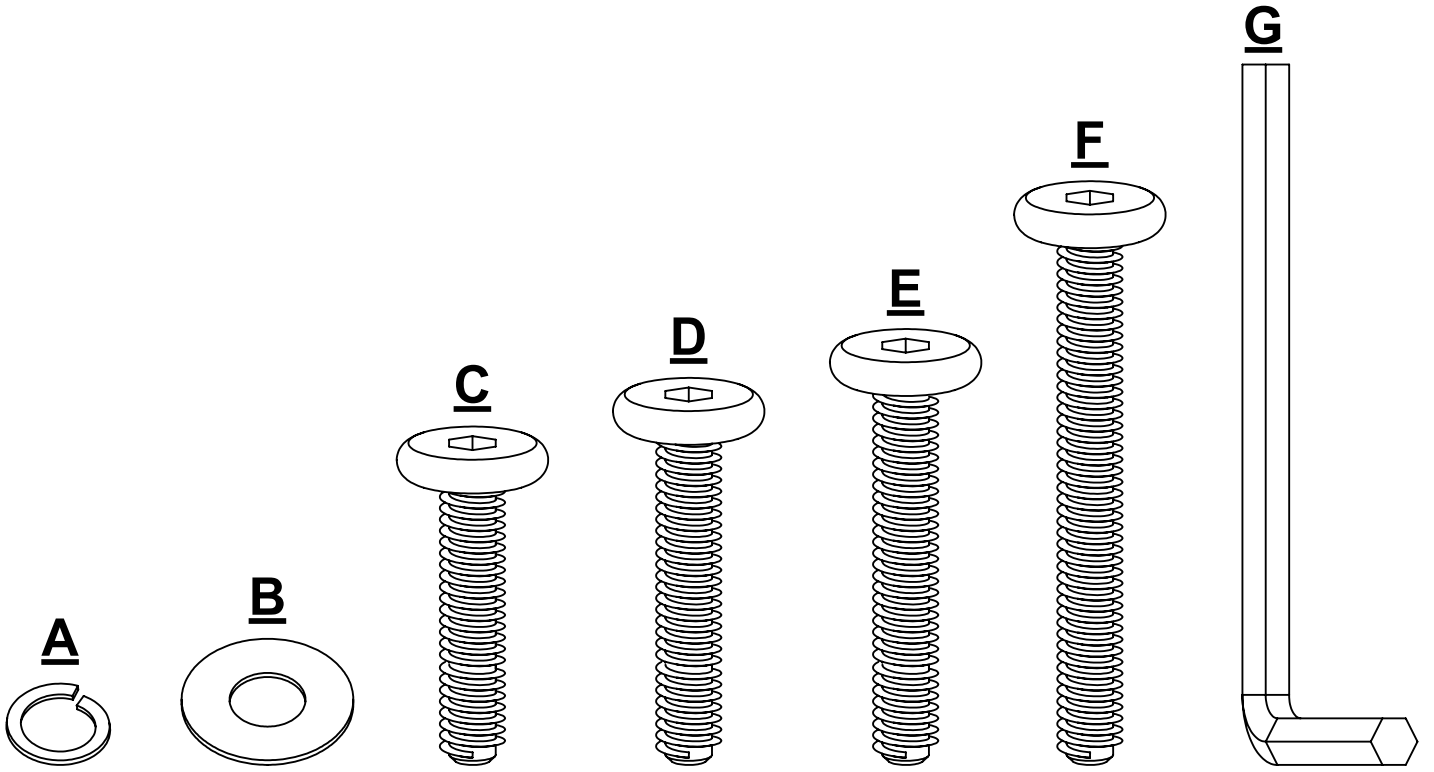
847-949-6300
877-267-2261



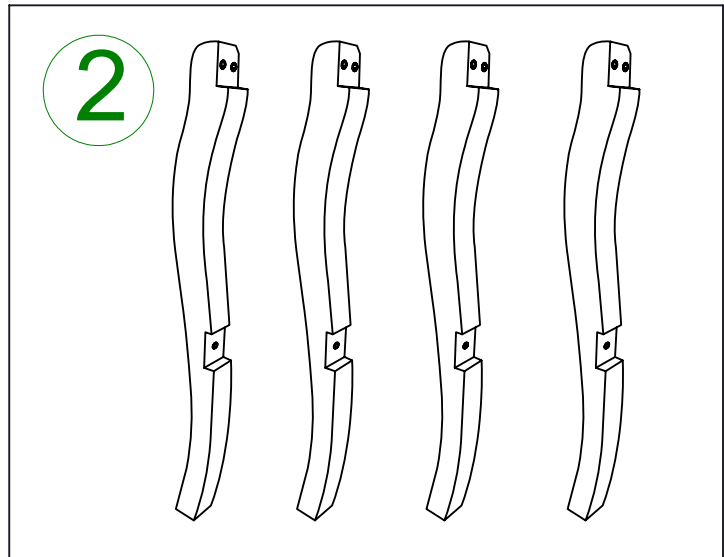
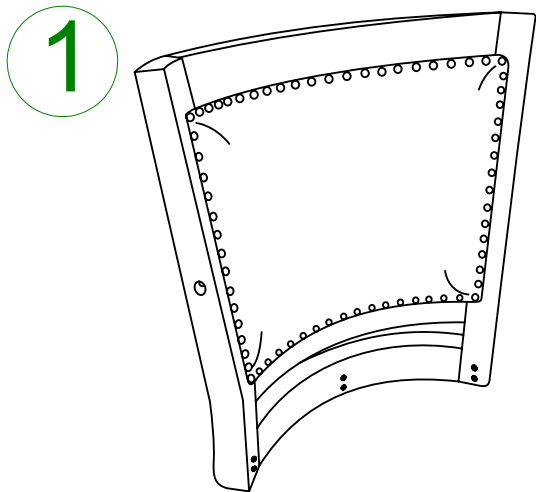
customerservice@
boraamindustries.com



www.boraamindustries.com



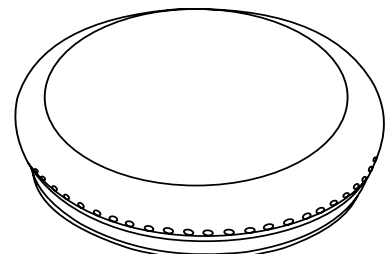
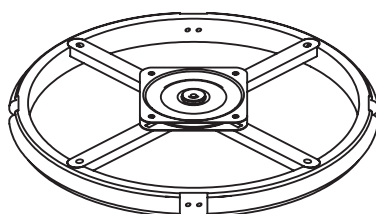
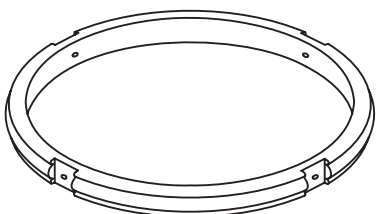
M6x10:18 PCS M6x16:22 PCS M6x35:4 PCS M6x40:12 PCS M6x45:2 PCS M6x60:4 PCS Allen Wrench:1 PC



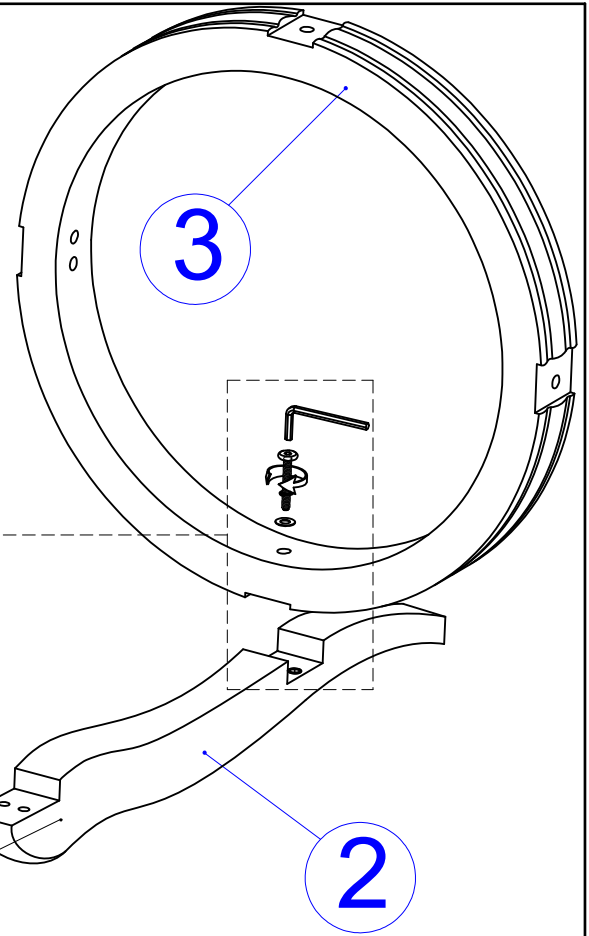
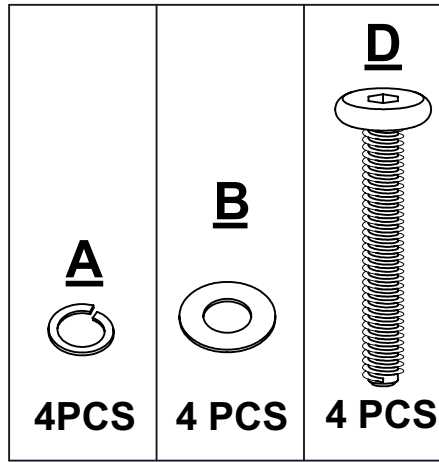
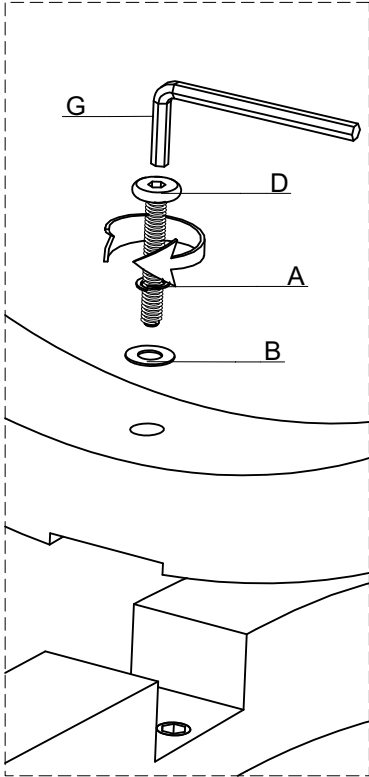
3

4

5



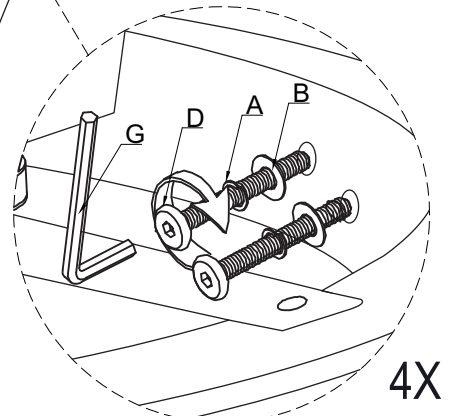
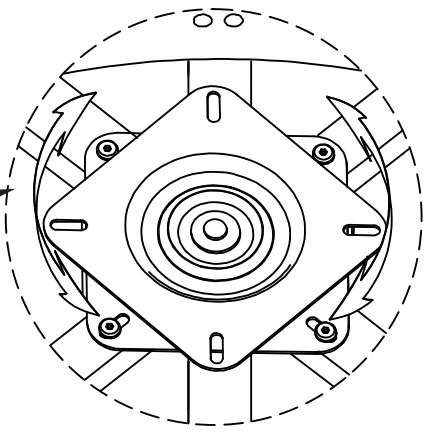
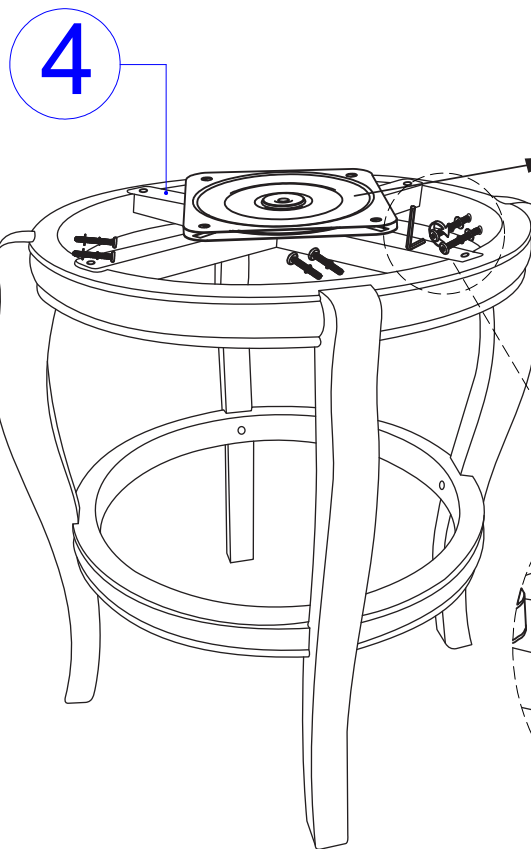
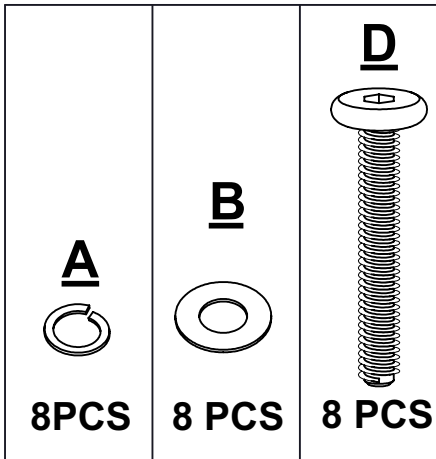
01



4X

DO NOT TIGHTEN BOLT COMPLETELY.



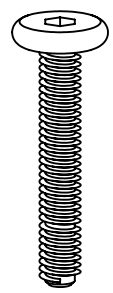
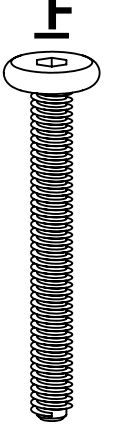
02

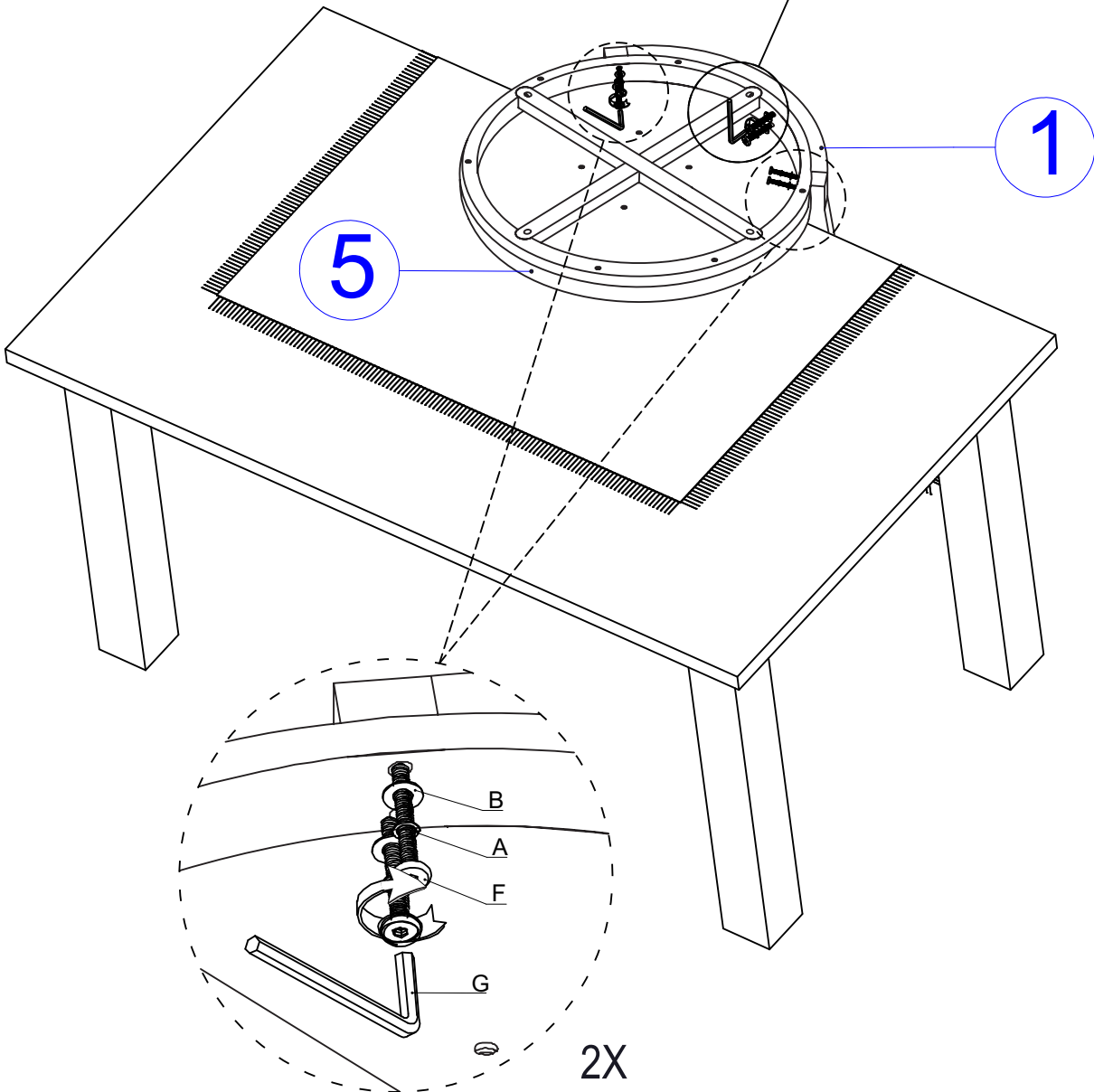
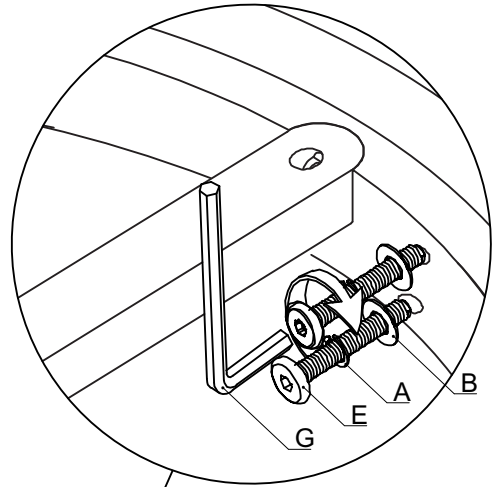


TIGHTEN BOLT COMPLETELY.

4X

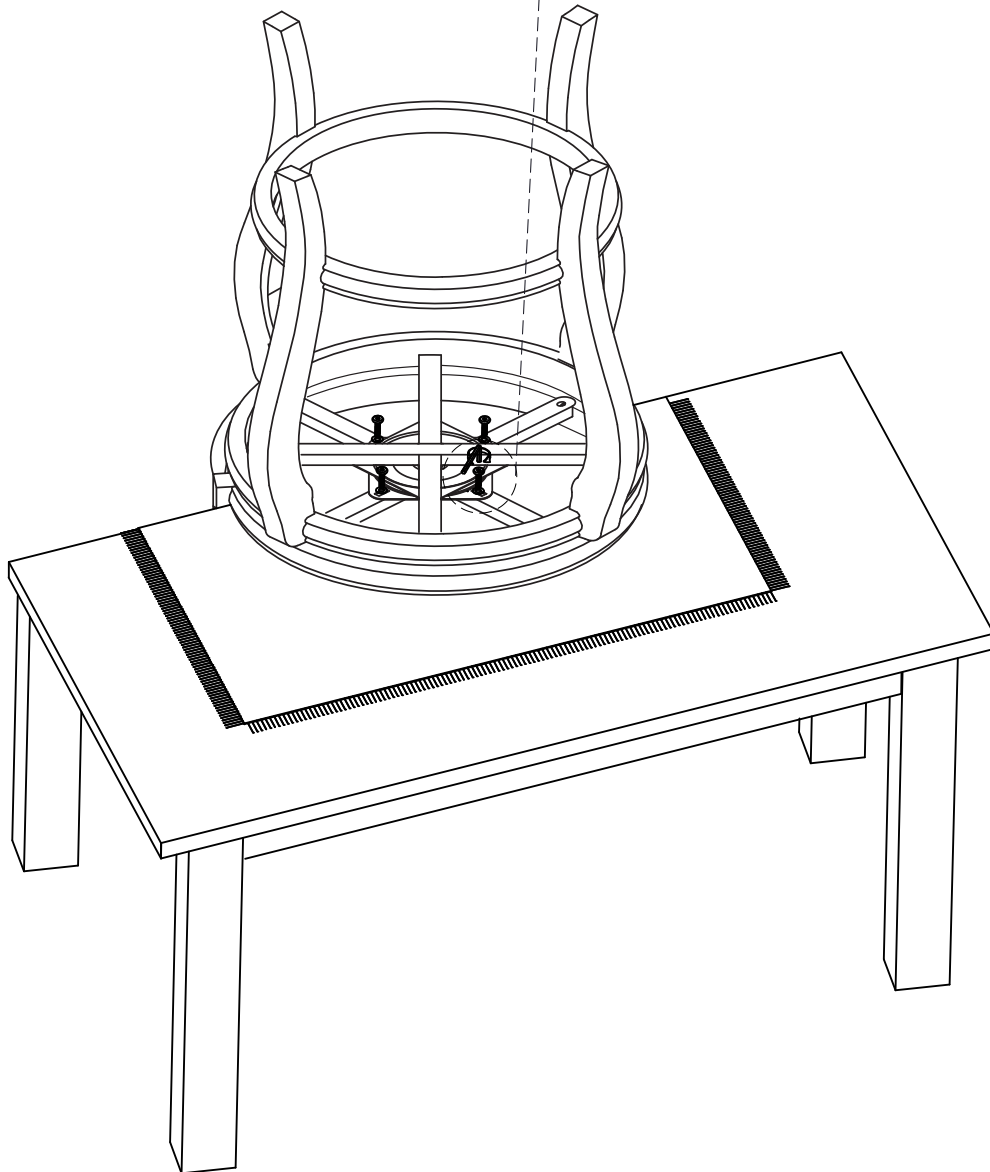
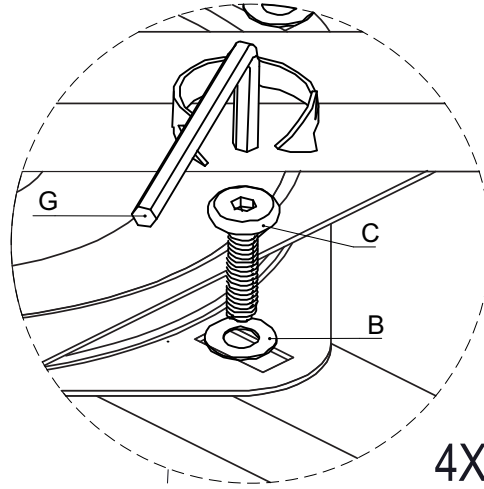
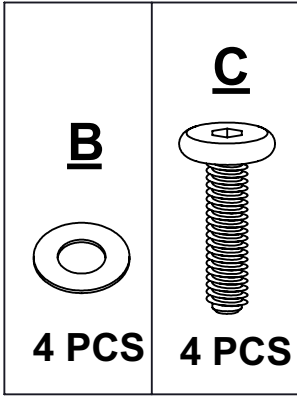
03

A  6 PCS	B  6 PCS	E  2 PCS	F  4 PCS
--	--	--	--

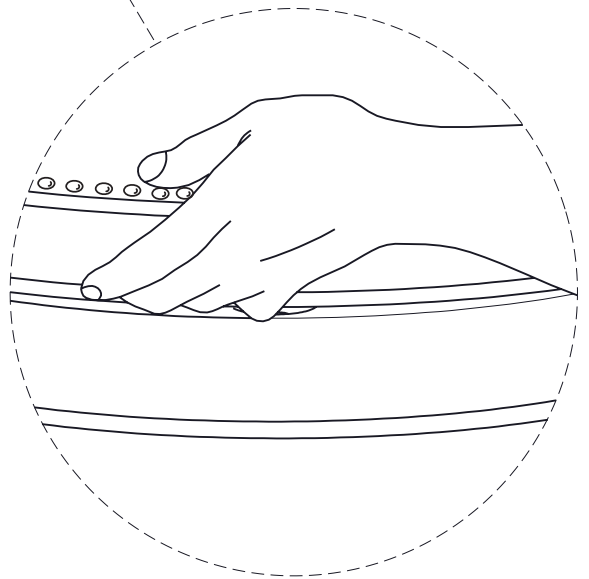
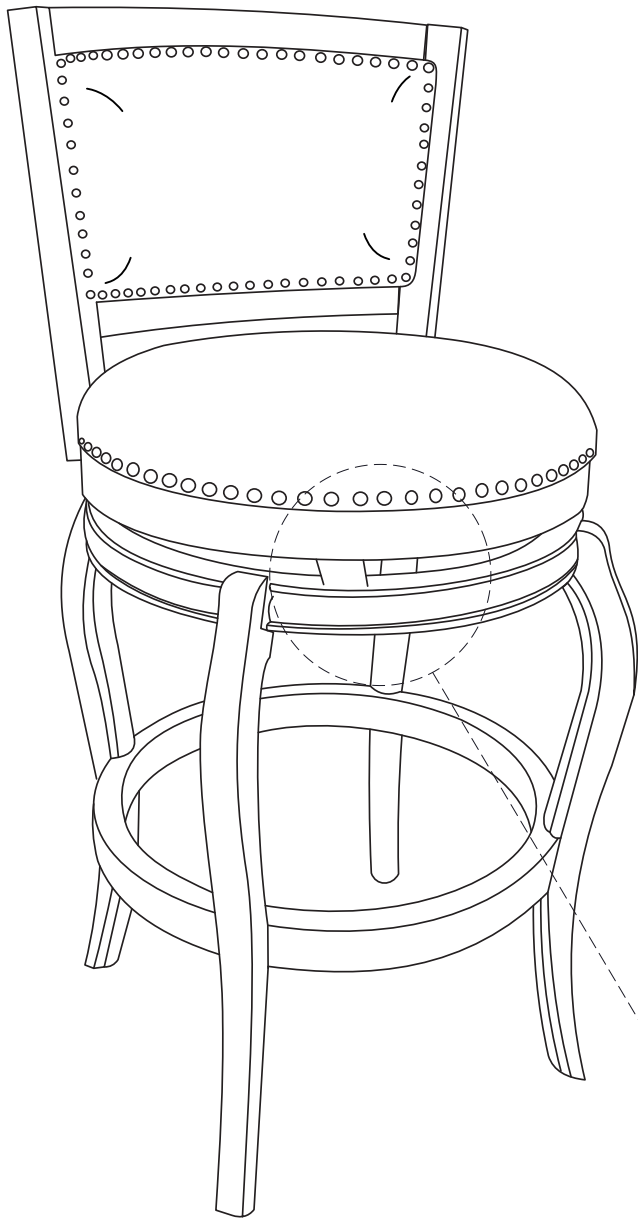


TIGHTEN BOLT COMPLETELY.

04



TIGHTEN BOLT COMPLETELY.



BE SURE TO CHECK ALL BOLTS ARE SECURELY
TIGHTENED PRIOR USING THIS STOOL.