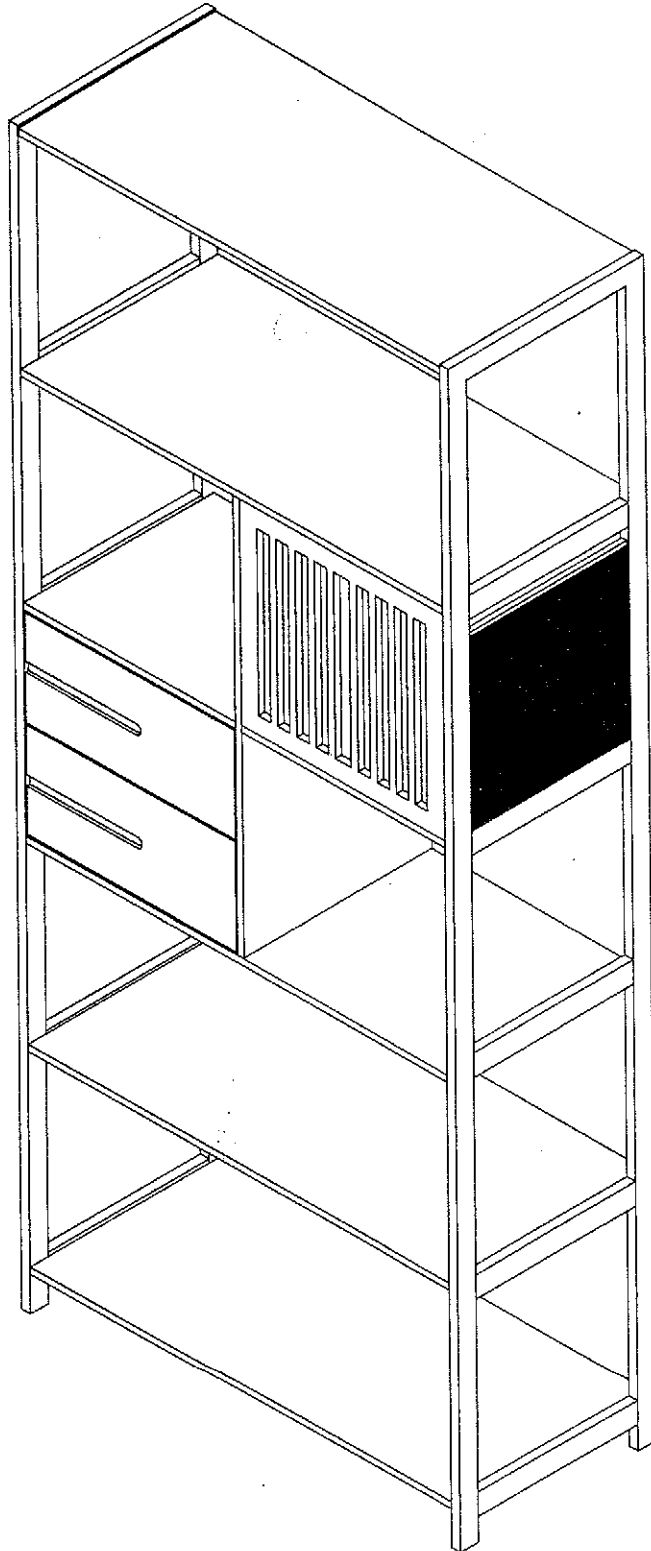




Boraam Industries

SELMA BOOKCASE
ASSEMBLY INSTRUCTIONS

TYPE B





PLEASE READ ME FIRST



- Have questions about assembling your item?



- Item or parts damaged?



- Missing a part?



- We're here to help!



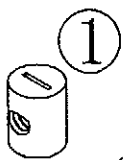
(847)949-6300 (M-F, 9am-5pm CST)



www.boraamindustries.com



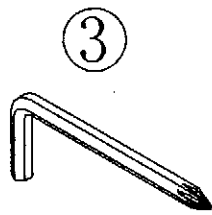
customerservice@boraamindustries.com



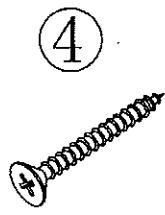
24 PCS



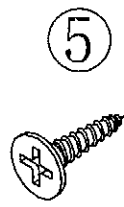
2 PCS



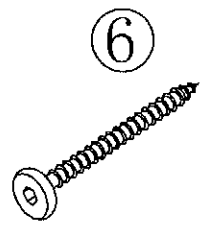
1 PC



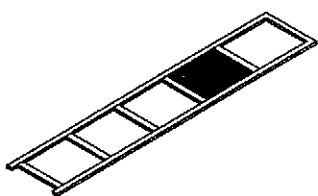
16 PCS



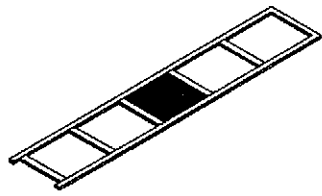
4 PCS



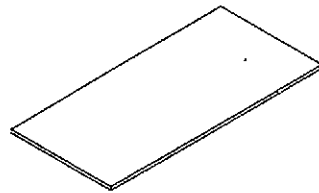
4 PCS



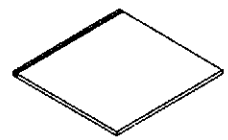
RA*1



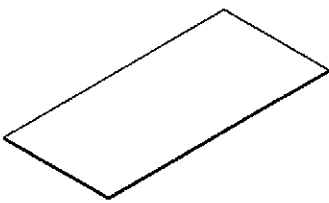
RB*1



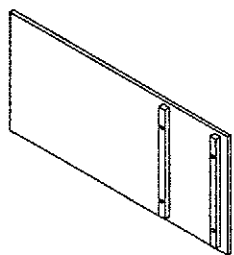
C*3



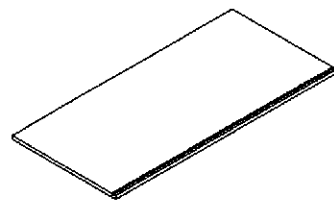
D *2



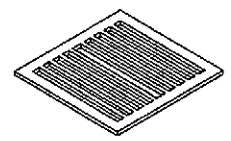
F*2



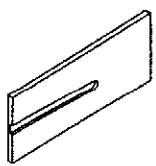
RG*1



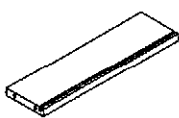
H*2



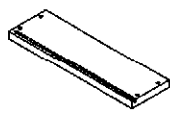
RI*1



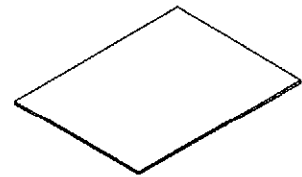
RJ*2



K*2

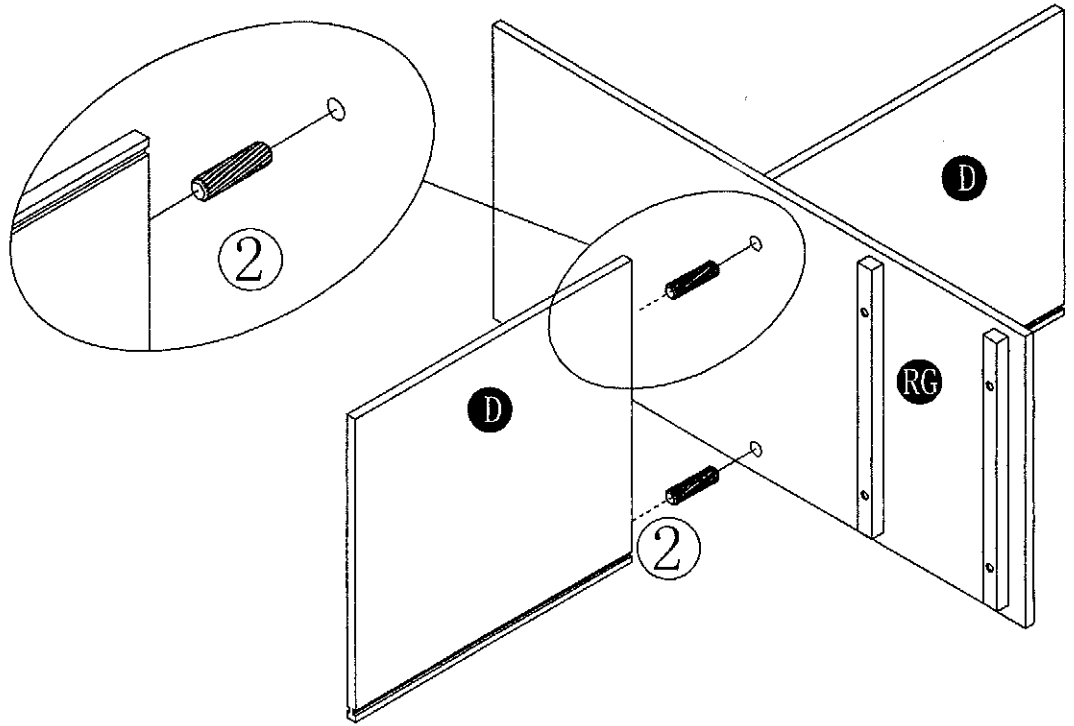
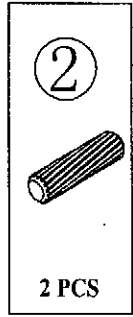


L*4

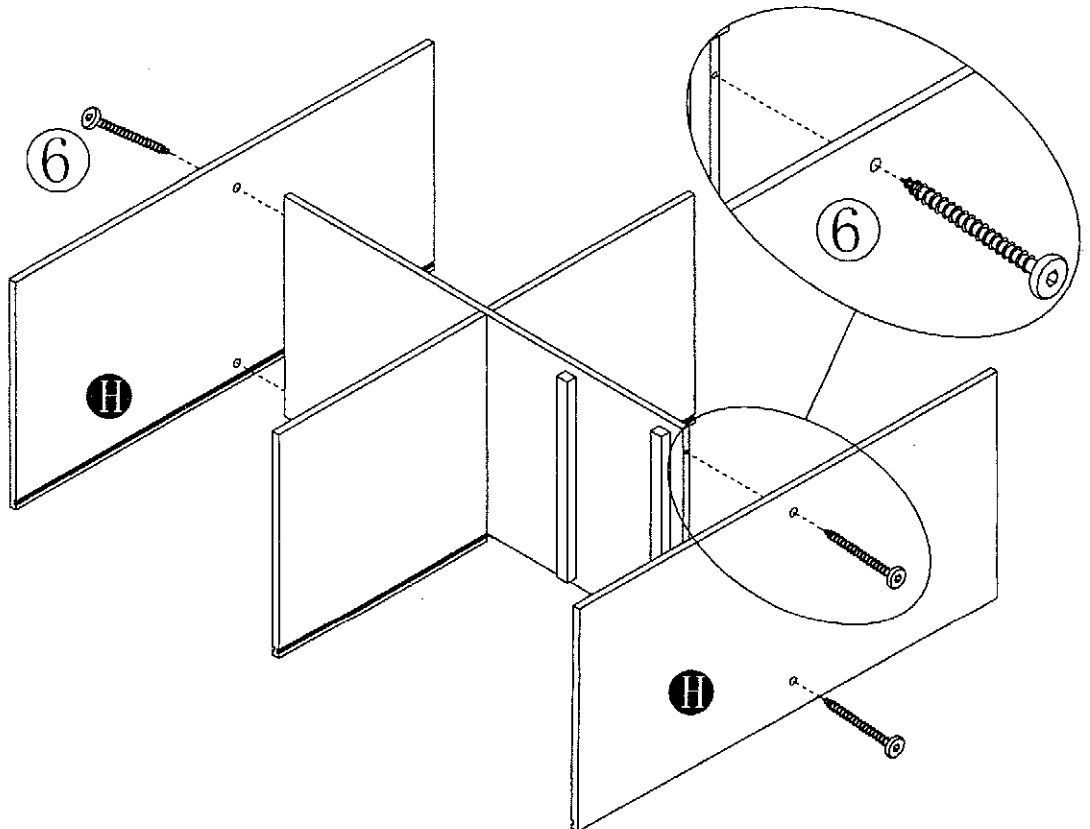
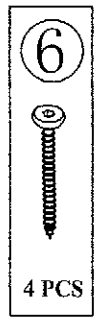


M*2

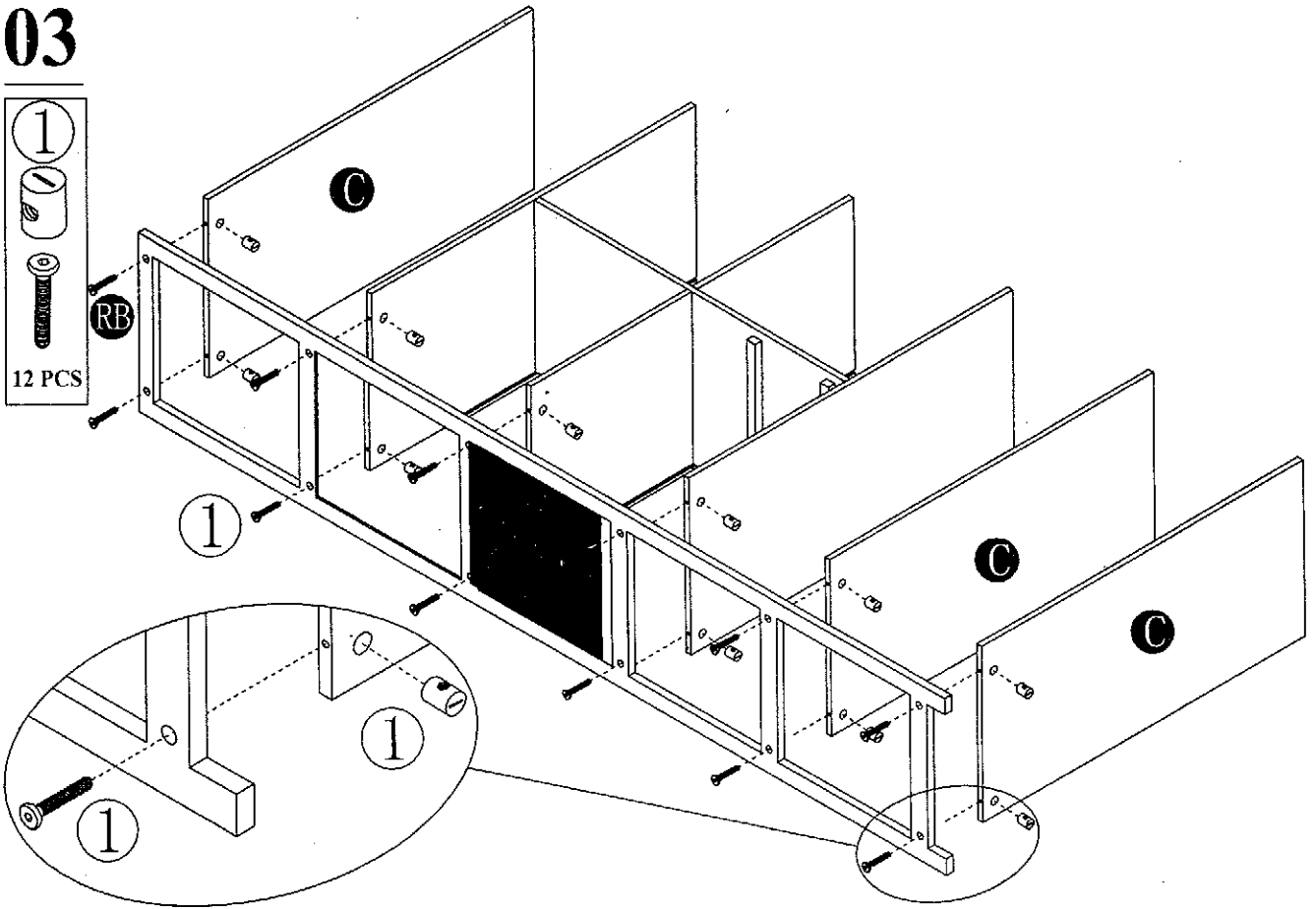
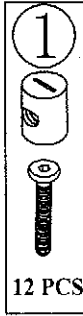
01



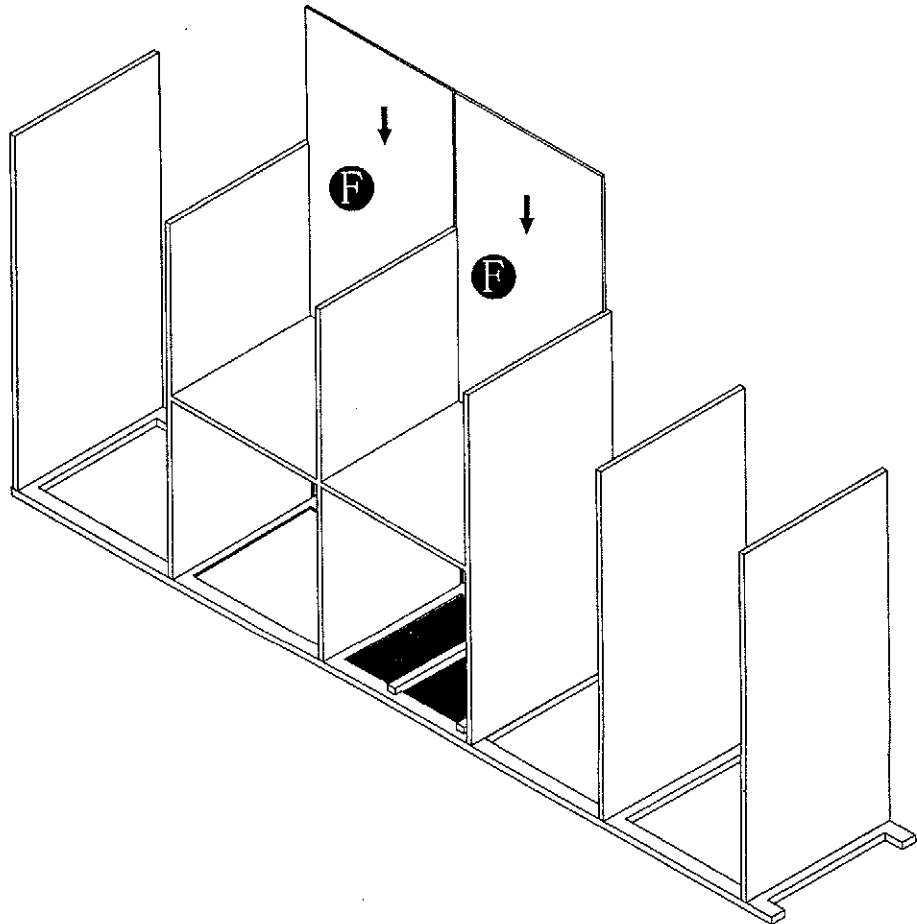
02



03

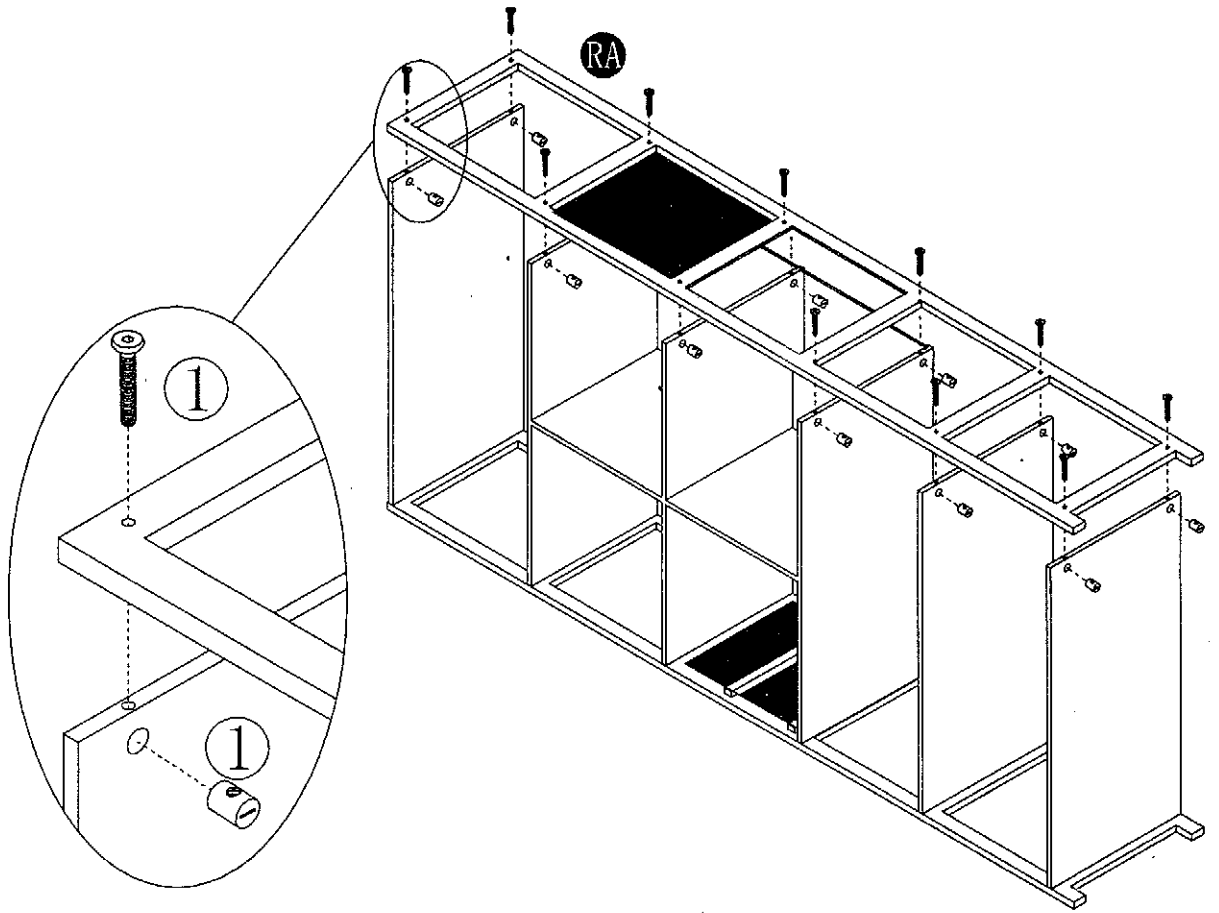


04



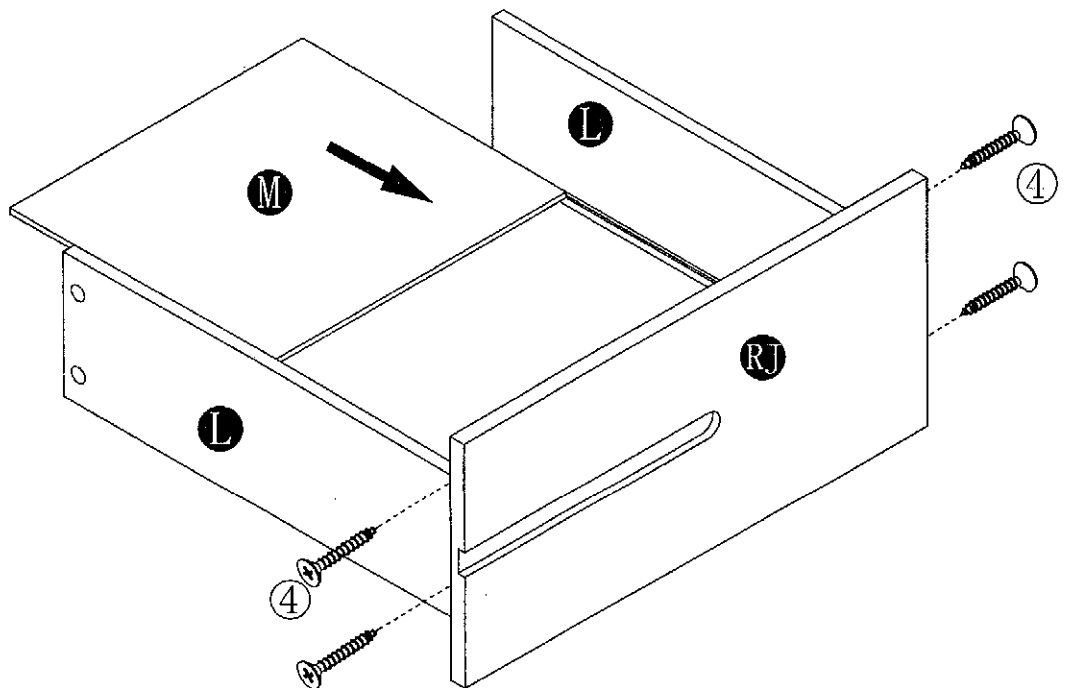
05

①
①
①
12 PCS

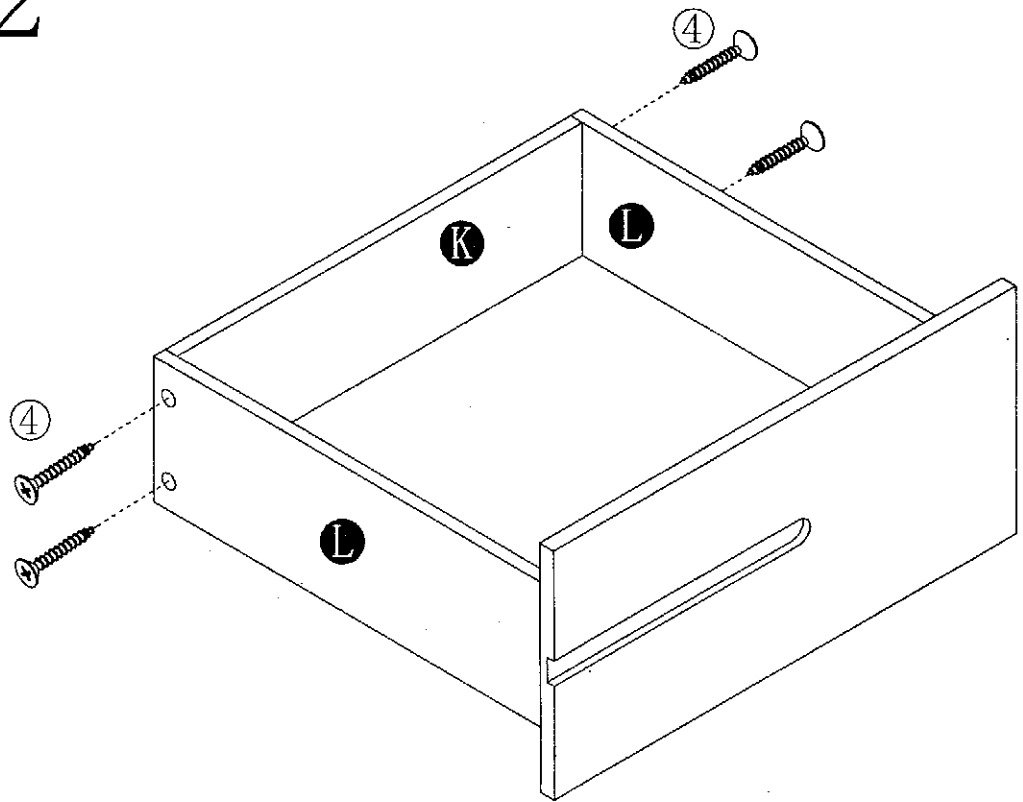
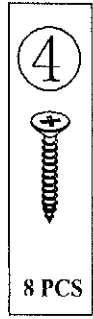


06 *2

④
④
8 PCS



07 *2



08

