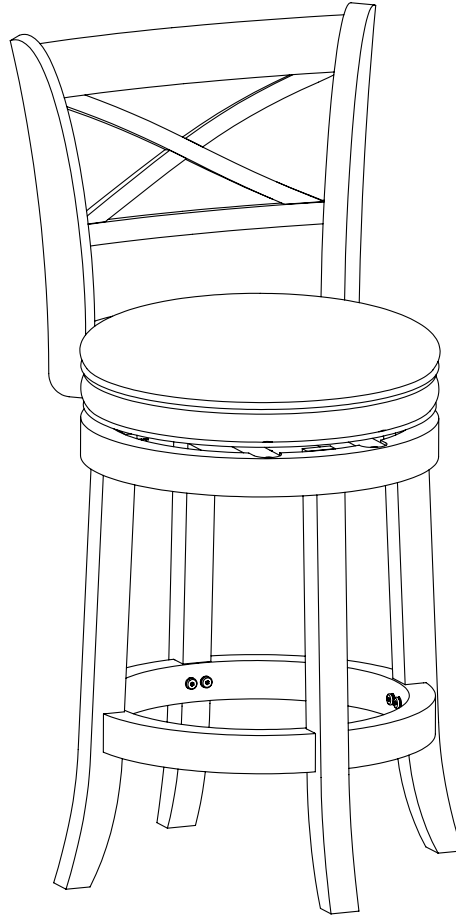




Boraam Industries

ASSEMBLY INSTRUCTIONS

SKU: 48624,48629,49624,49629
GEORGIA SWIVEL STOOL



Have questions about assembling your item?



Items or parts damaged?



Missing a part?

We're here to help! (Monday-Friday from 9am-5pm CST)



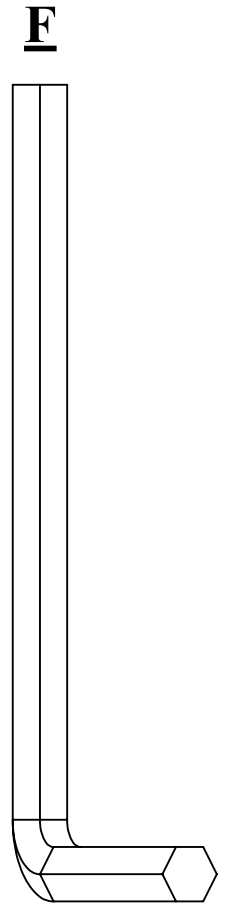
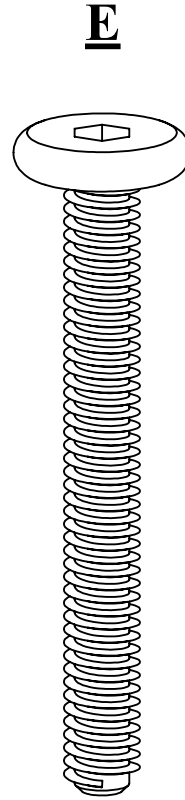
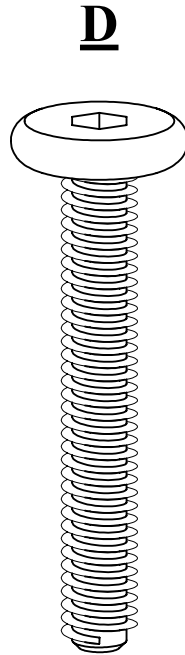
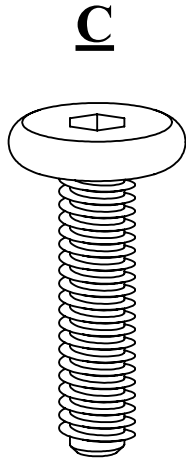
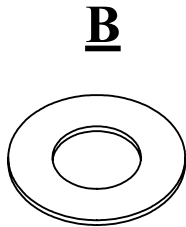
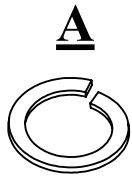
847-949-6300
877-267-2261



customerservice@
boraamindustries.com

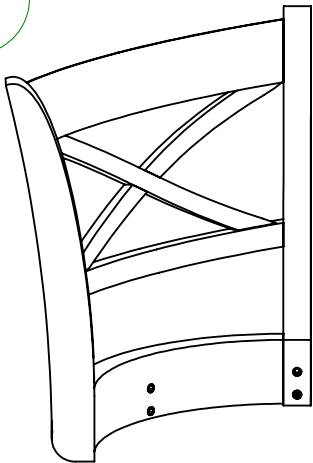


www.boraamindustries.com

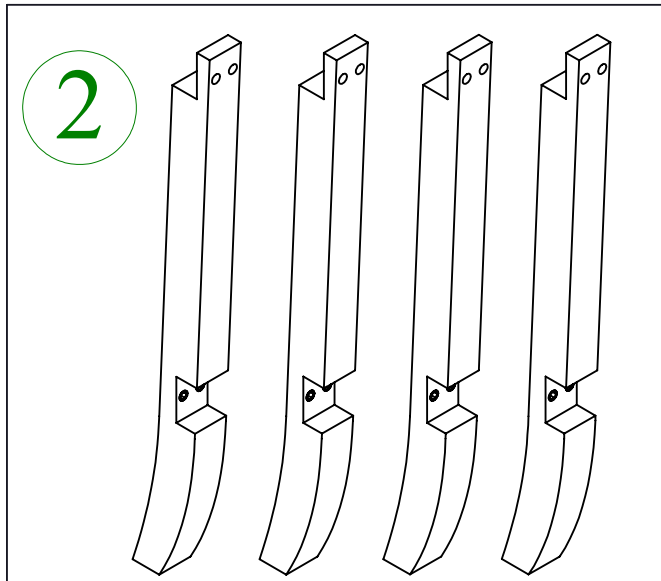


M6x13:22 PCS M6x16:26 PCS M6x25:4 PCS M6X40:16 PCS M6x50:6 PCS Allen Wrench:1 PC

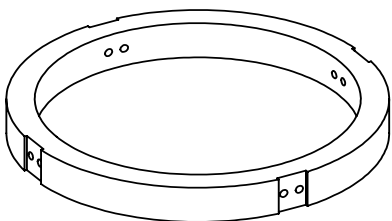
1



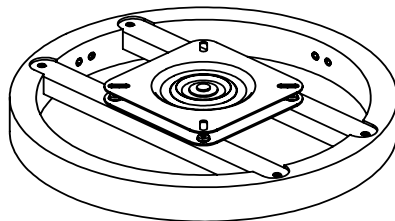
2



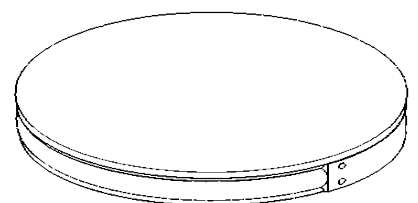
3



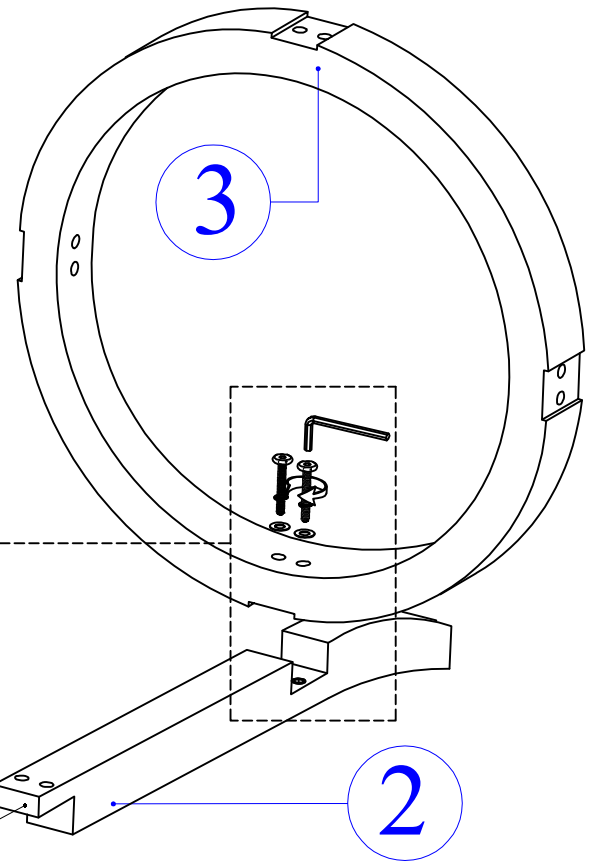
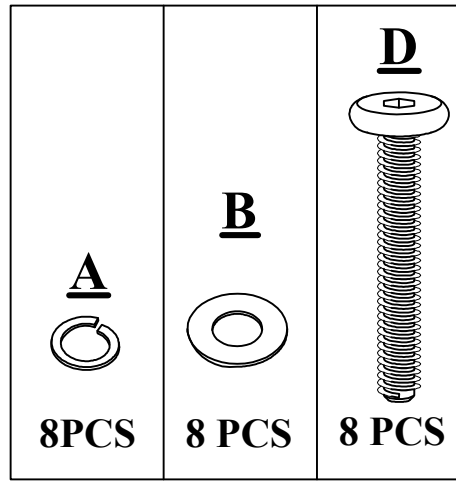
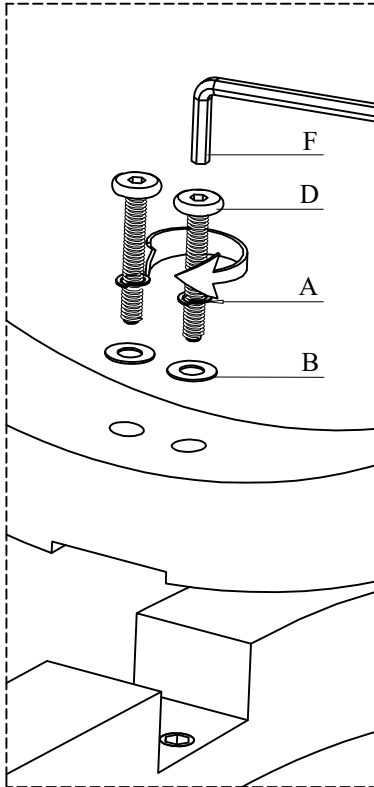
4



5

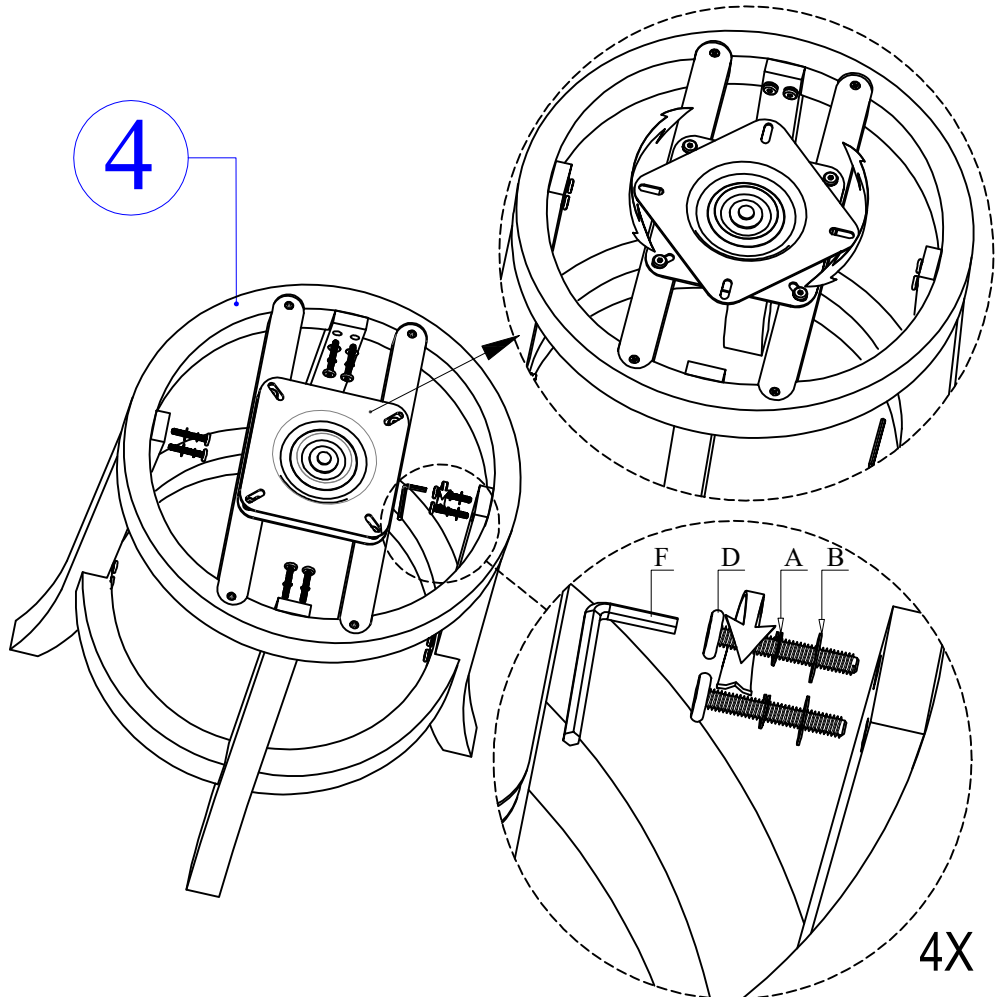
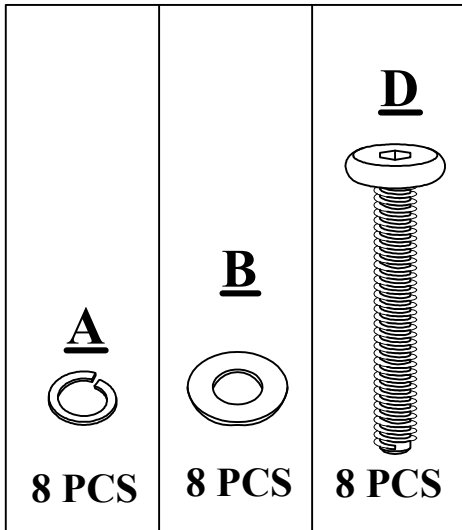


01



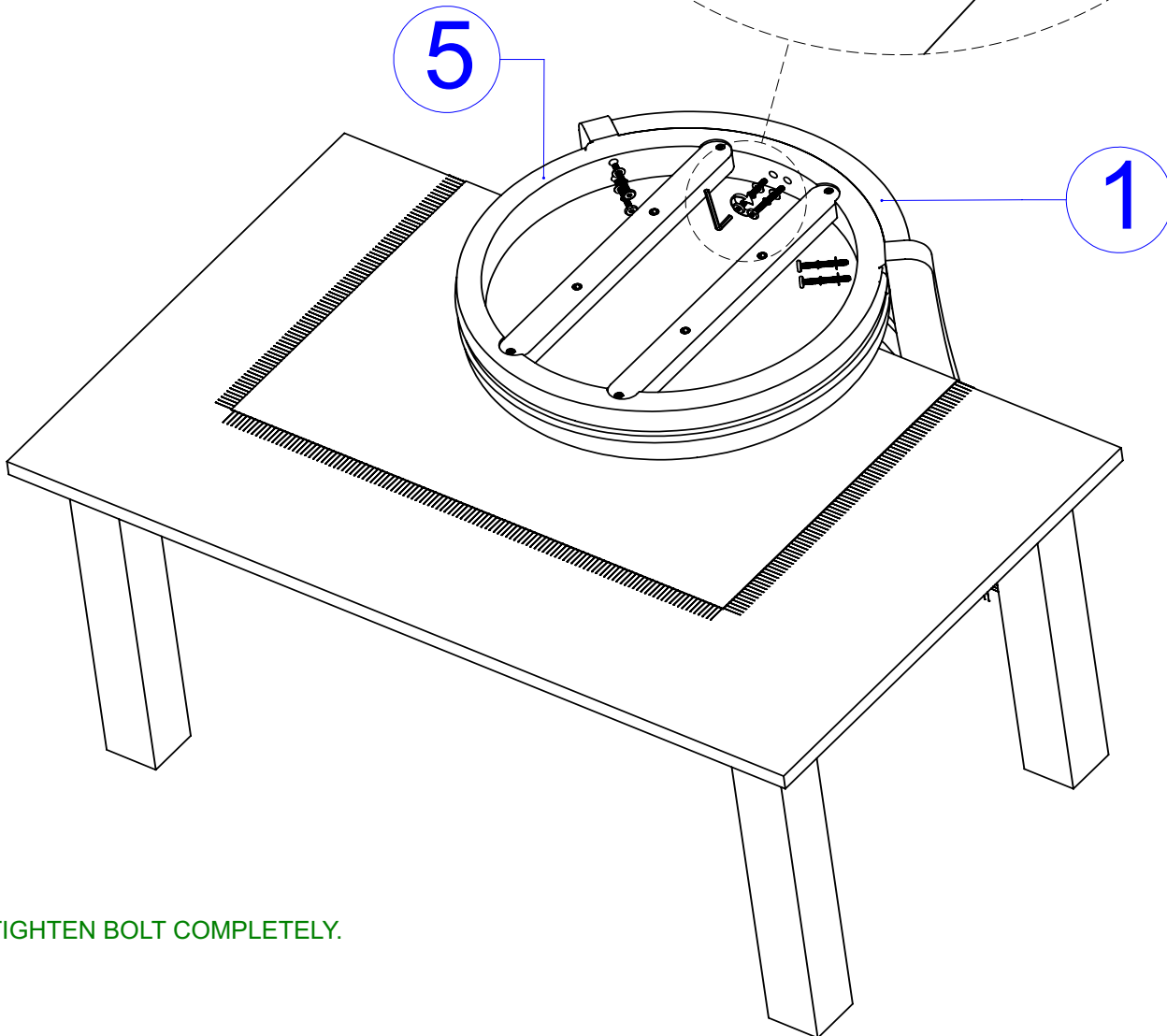
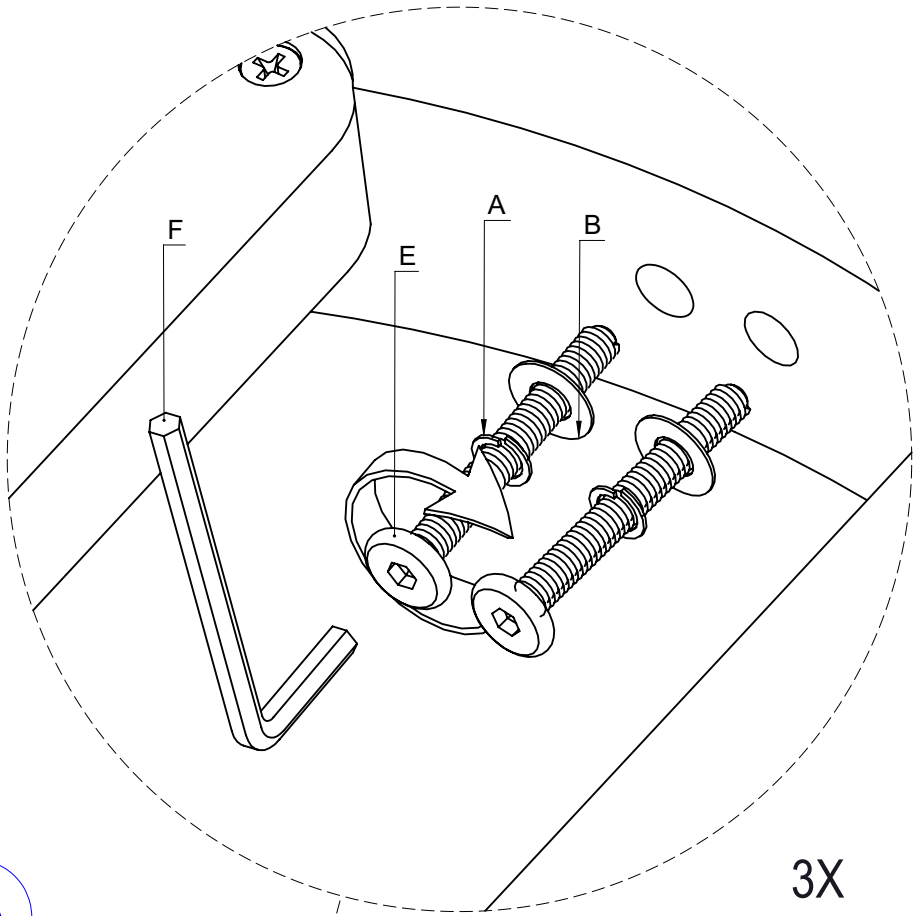
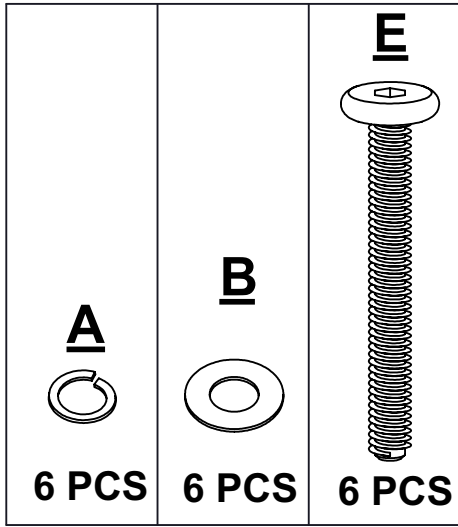
DO NOT TIGHTEN BOLT COMPLETELY.

02



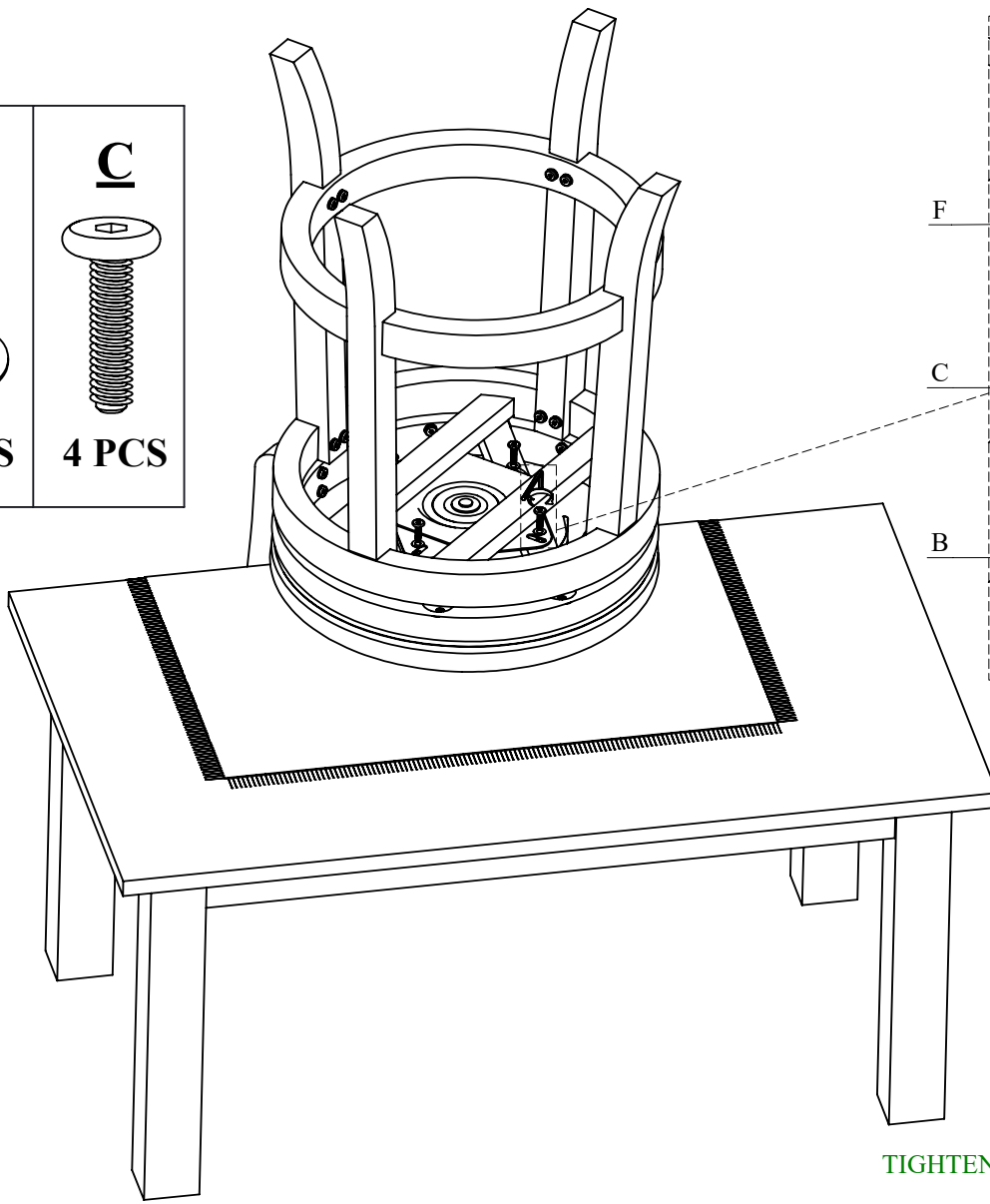
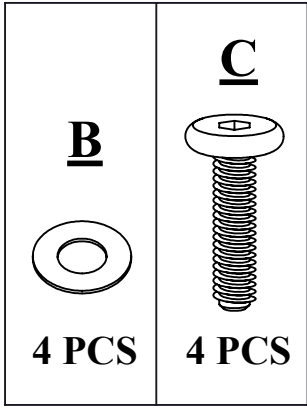
DO NOT TIGHTEN BOLT COMPLETELY.

03

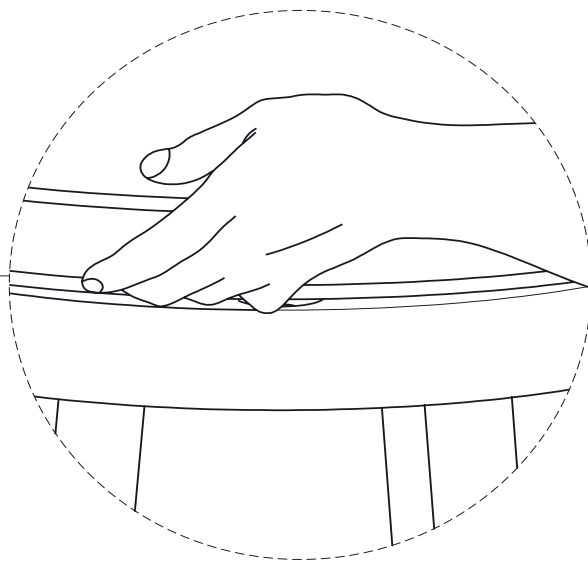
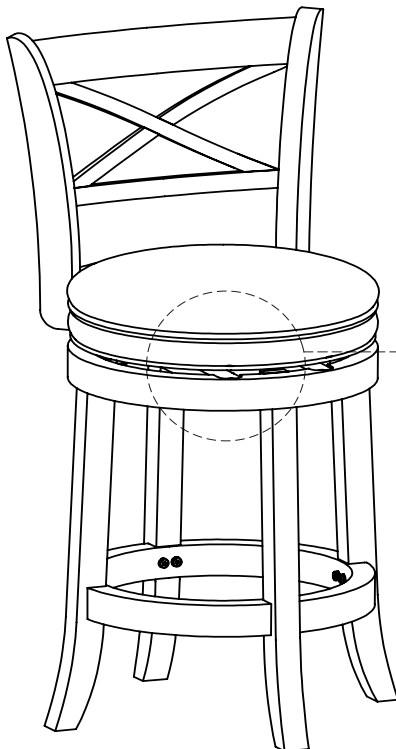


TIGHTEN BOLT COMPLETELY.

04



TIGHTEN BOLT COMPLETELY.



BE SURE TO CHECK ALL BOLTS ARE SECURELY TIGHTENED PRIOR USING THIS STOOL.