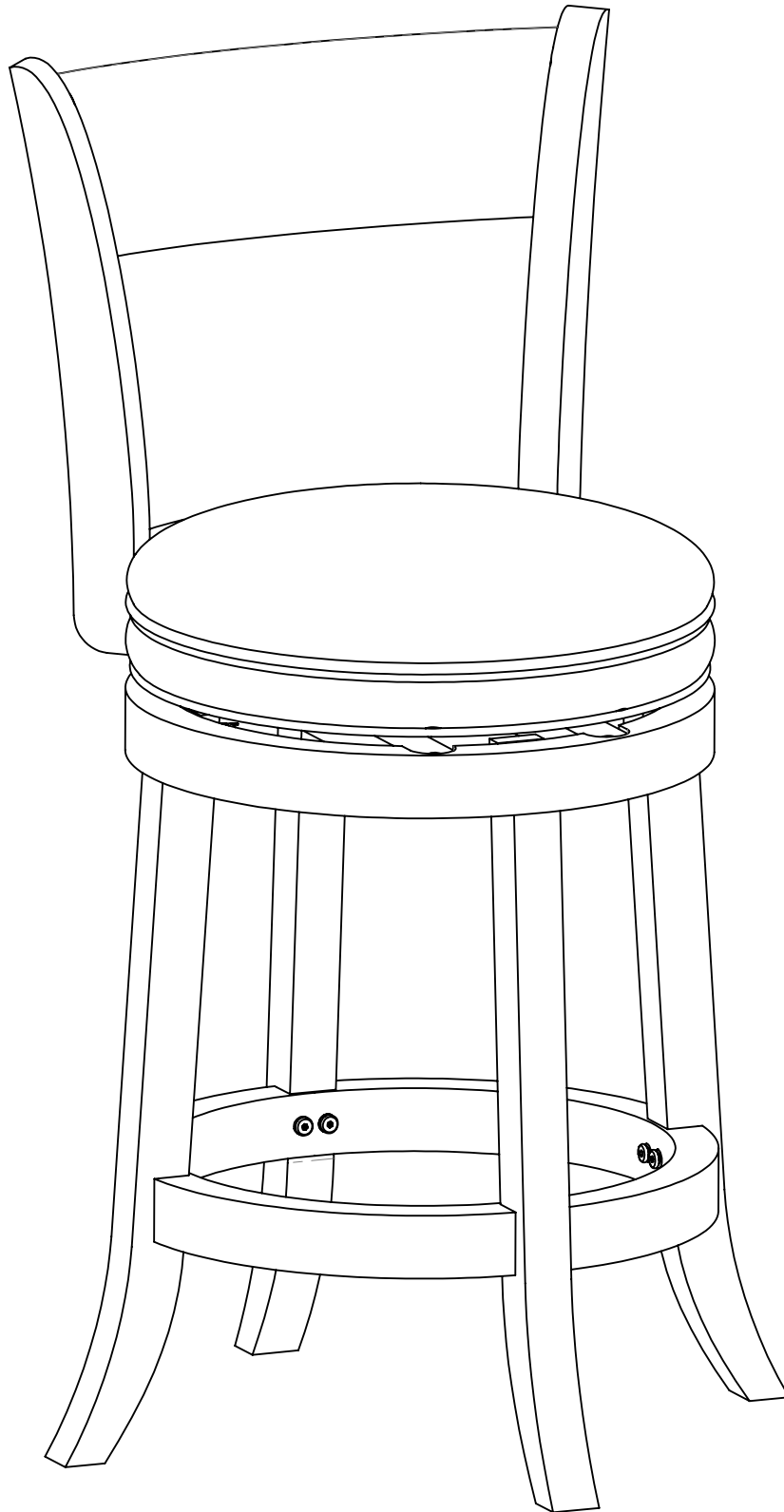




Boraam Industries

PALMETTO SWIVEL STOOL

ASSEMBLY INSTRUCTIONS





PLEASE READ ME FIRST



- Have questions about assembling your item?



- Item or parts damaged?



- Missing a part?



- We're here to help!



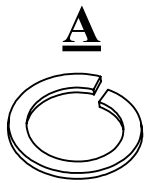
(847)949-6300 (M-F, 9am-5pm CST)



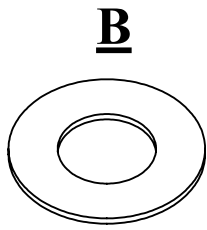
www.boraamindustries.com



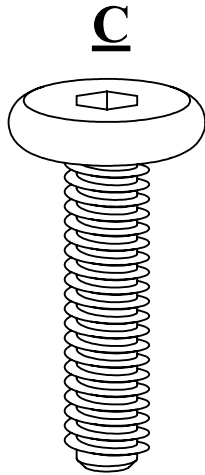
customerservice@boraamindustries.com



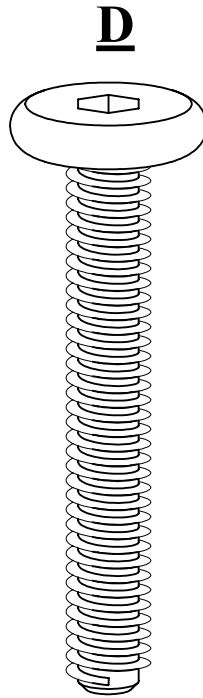
22 PCS



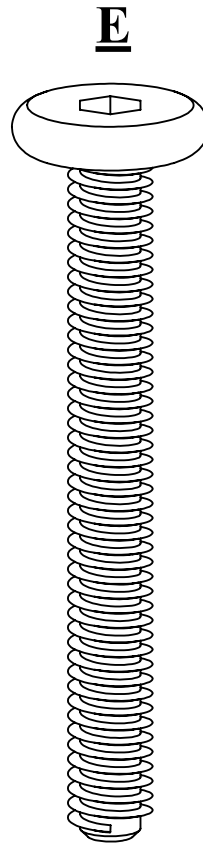
26 PCS



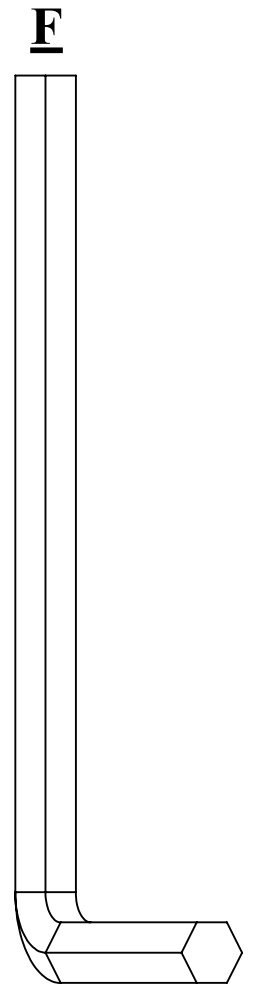
4 PCS



16 PCS

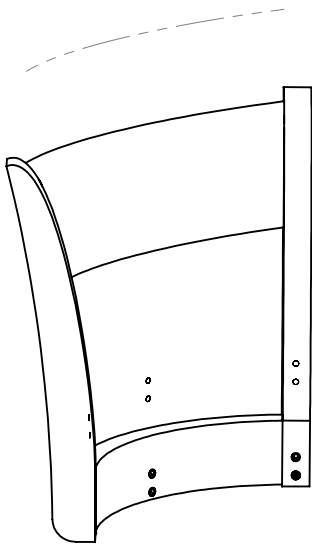


6 PCS

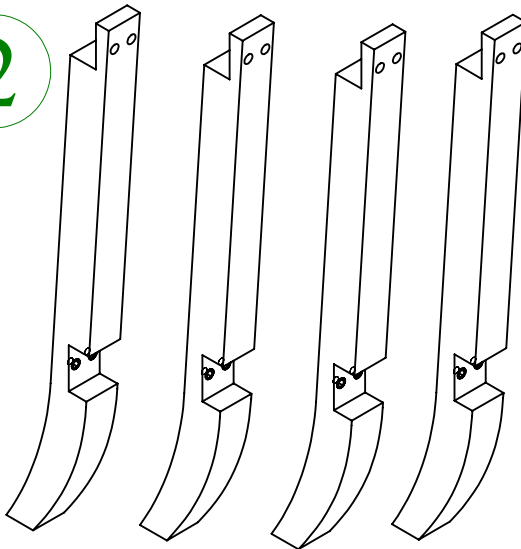


1 PC

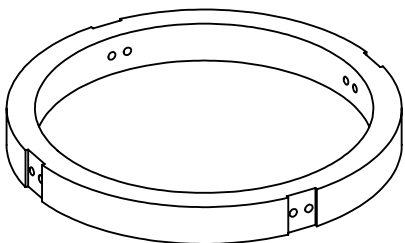
1



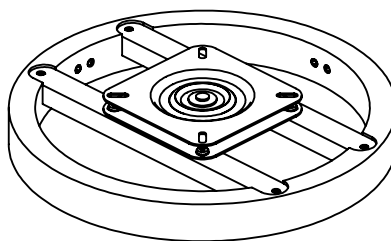
2



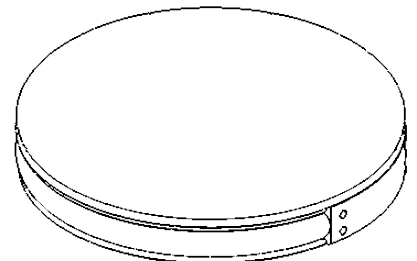
3



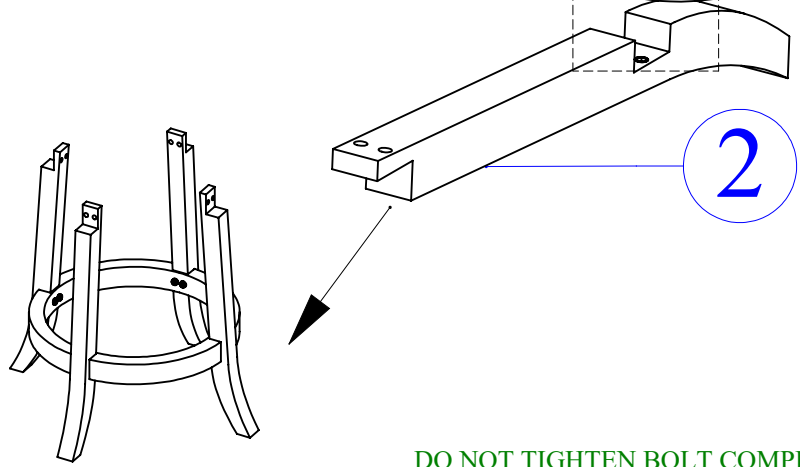
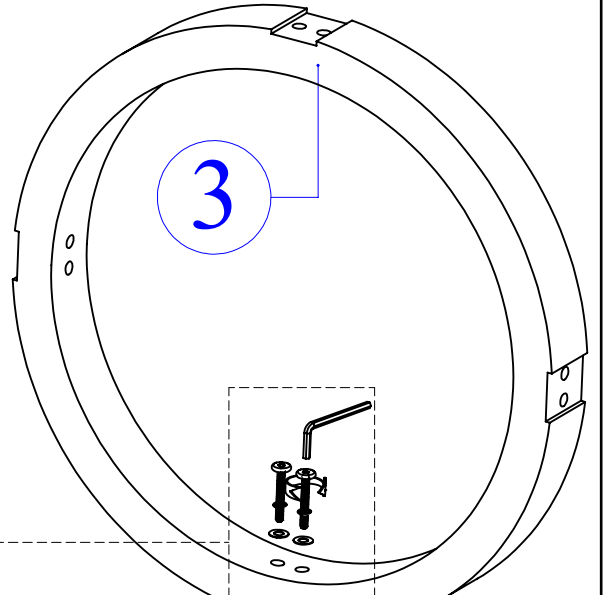
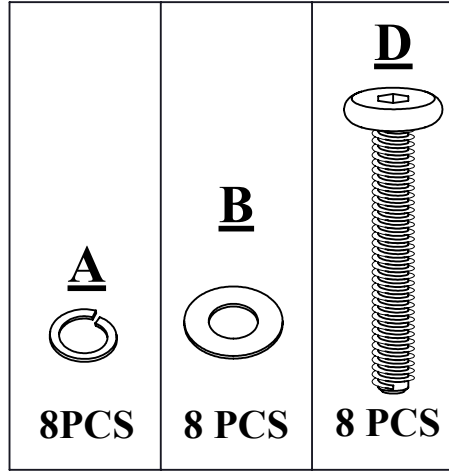
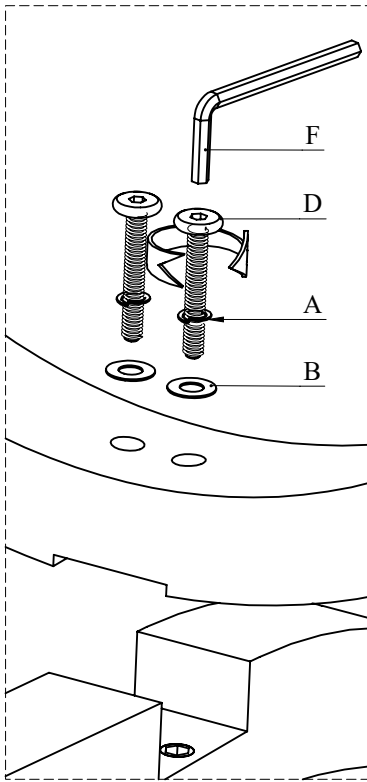
4



5

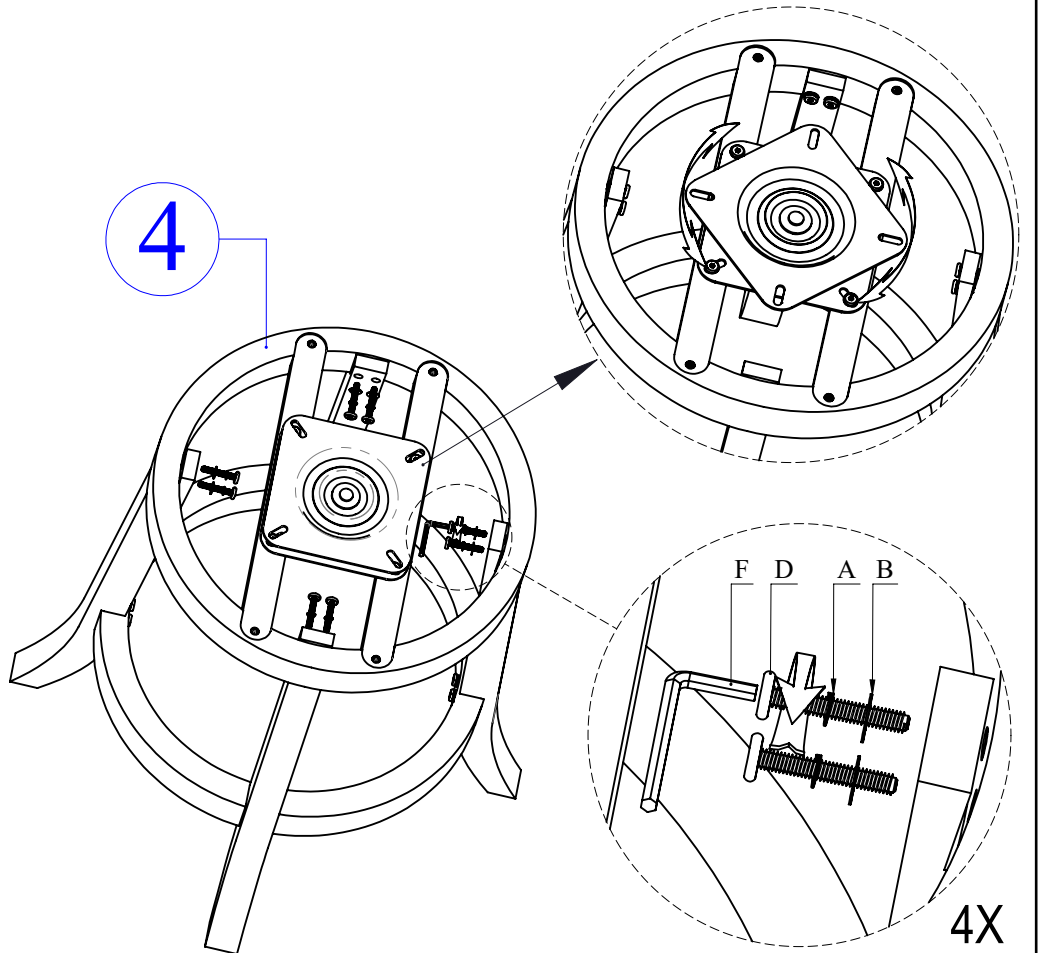
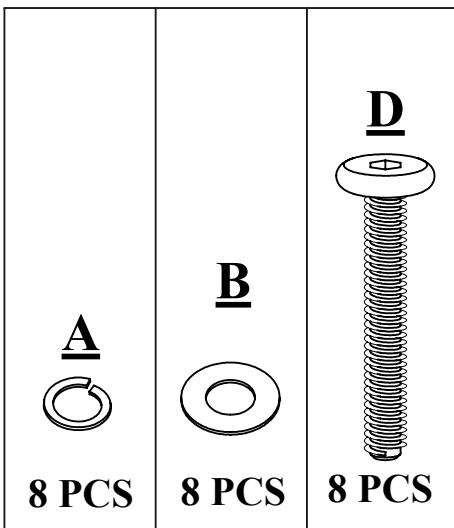


01





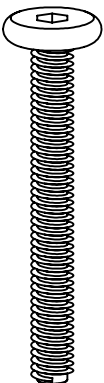
DO NOT TIGHTEN BOLT COMPLETELY.

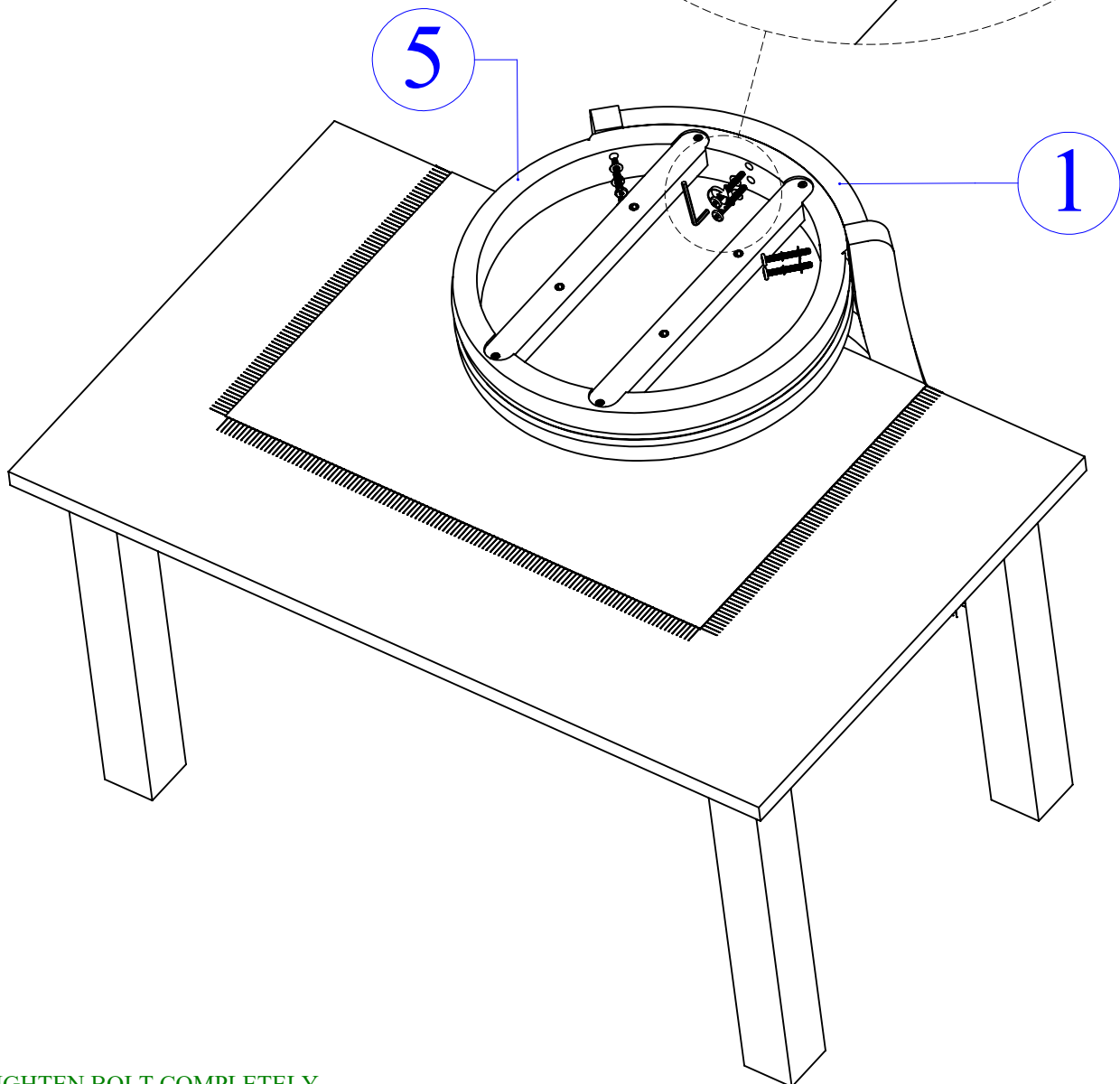
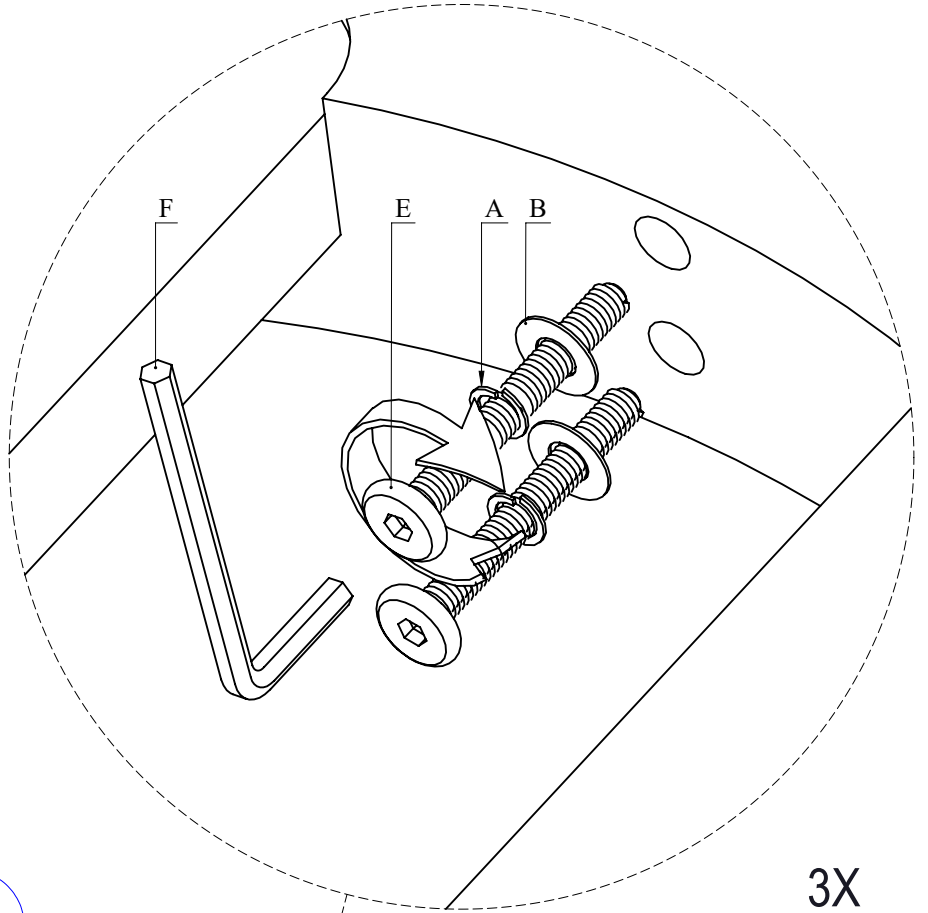
02



TIGHTEN BOLT COMPLETELY.

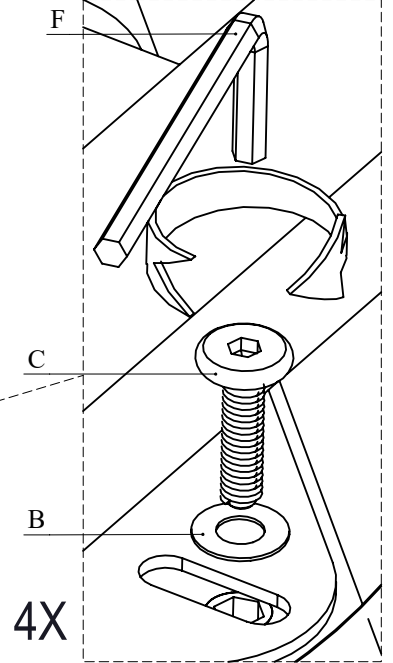
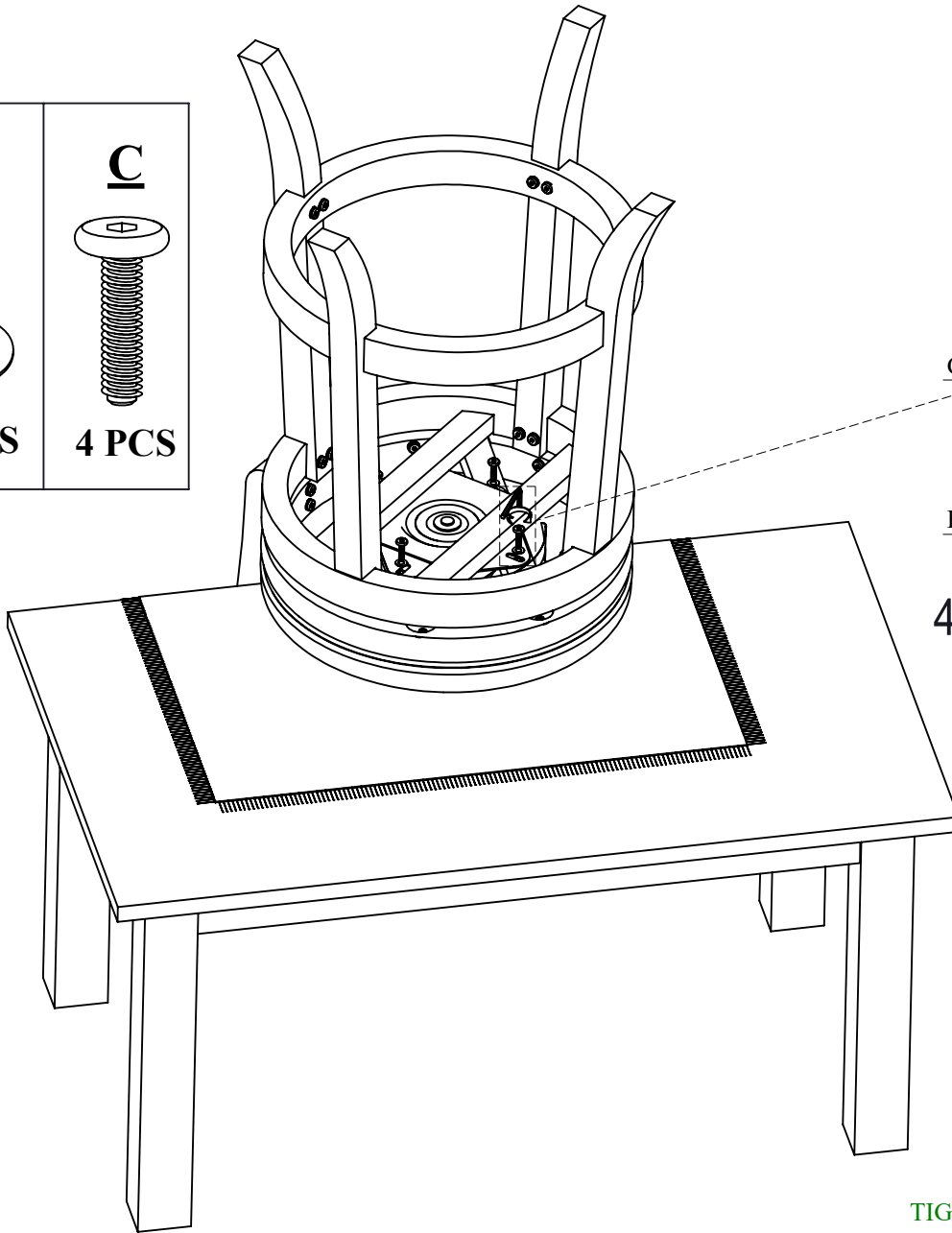
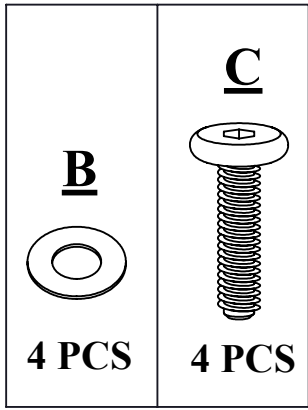
03

A  6 PCS	B  6 PCS	E  6 PCS
--	--	--

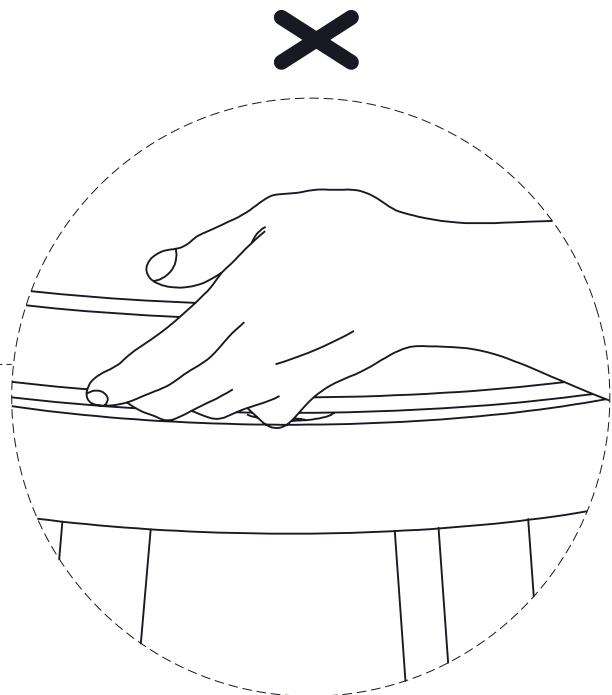
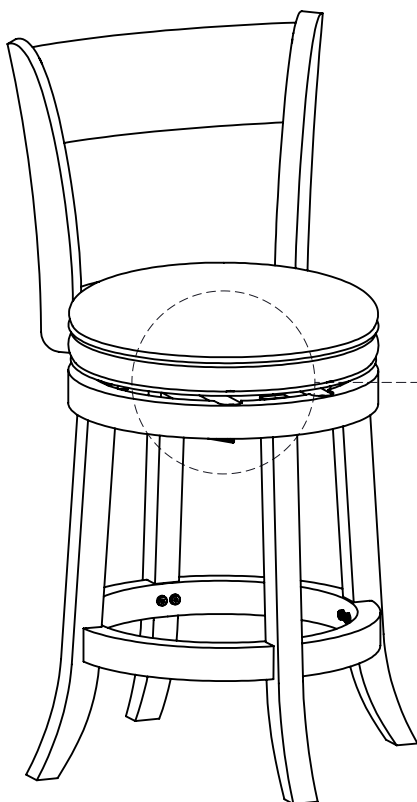


TIGHTEN BOLT COMPLETELY.

04



TIGHTEN BOLT COMPLETELY.



BE SURE TO CHECK ALL BOLTS ARE SECURELY TIGHTENED PRIOR USING THIS STOOL.