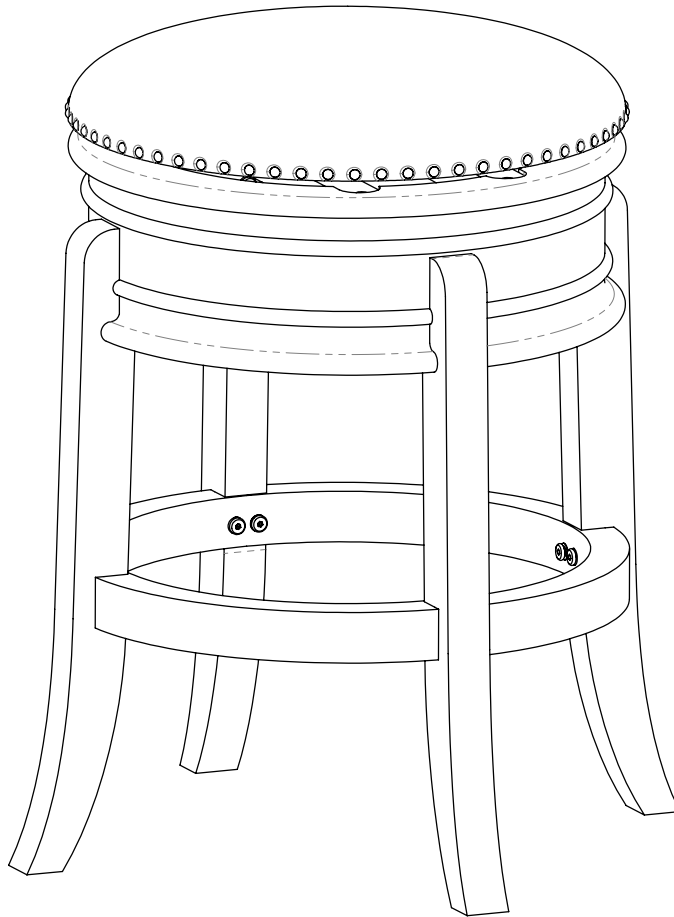




# Boraam Industries

ASSEMBLY INSTRUCTIONS

**SKU: 43824,43829,43224,43229,43924,43929**  
**HAMILTON SWIVEL STOOL**



Have questions about assembling your item?



Items or parts damaged?



Missing a part?

**We're here to help! (Monday-Friday from 9am-5pm CST)**



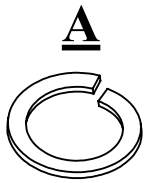
847-949-6300  
877-267-2261



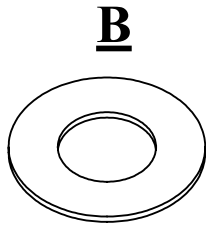
customerservice@  
boraamindustries.com



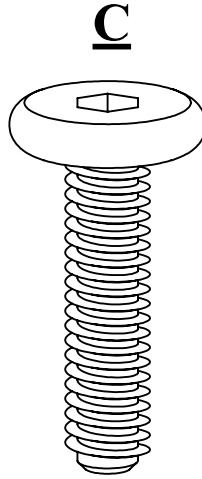
www.boraamindustries.com



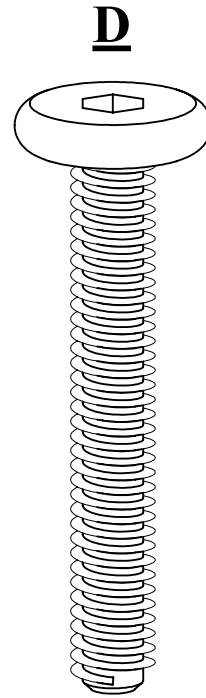
M6x13:16 PCS



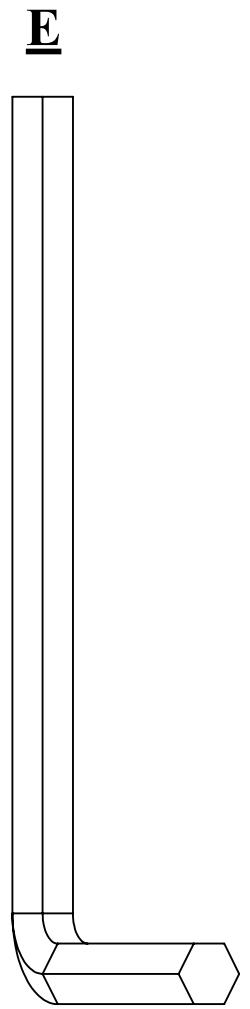
M6x16:20 PCS



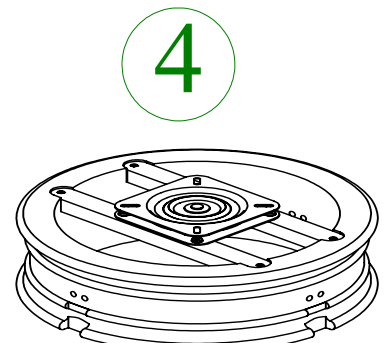
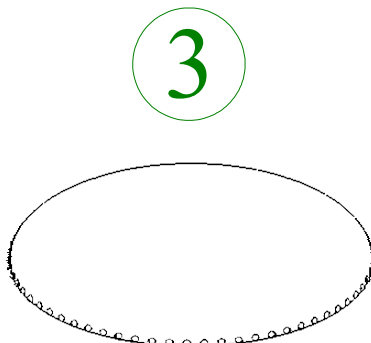
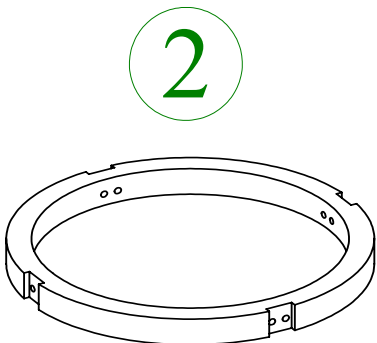
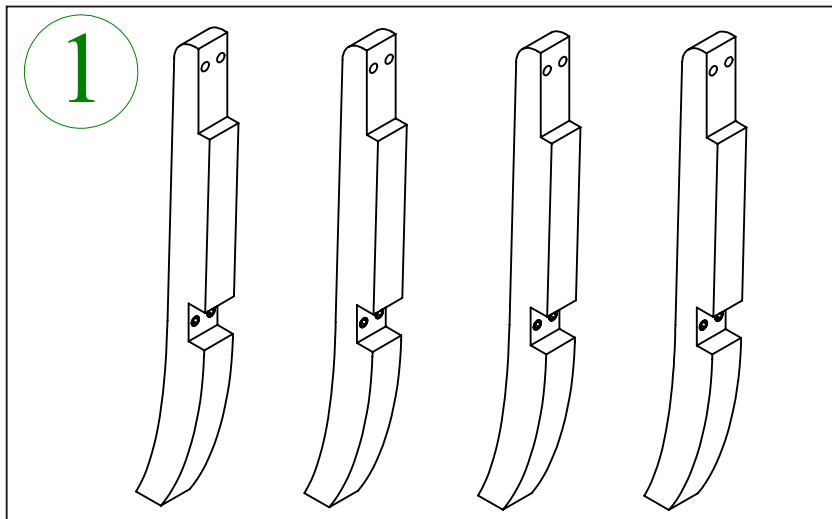
M6x20:4 PCS



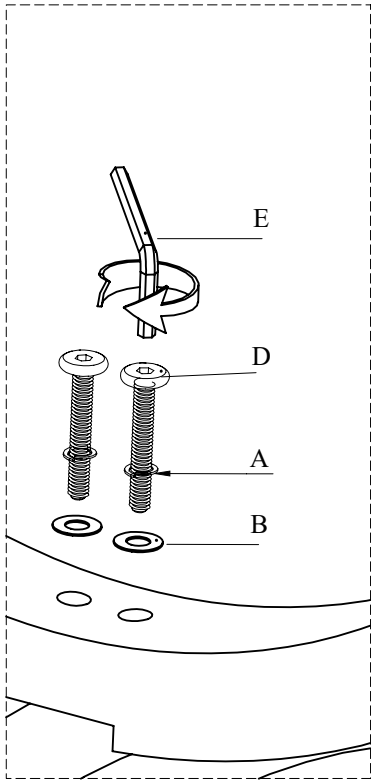
M6x40:16 PCS



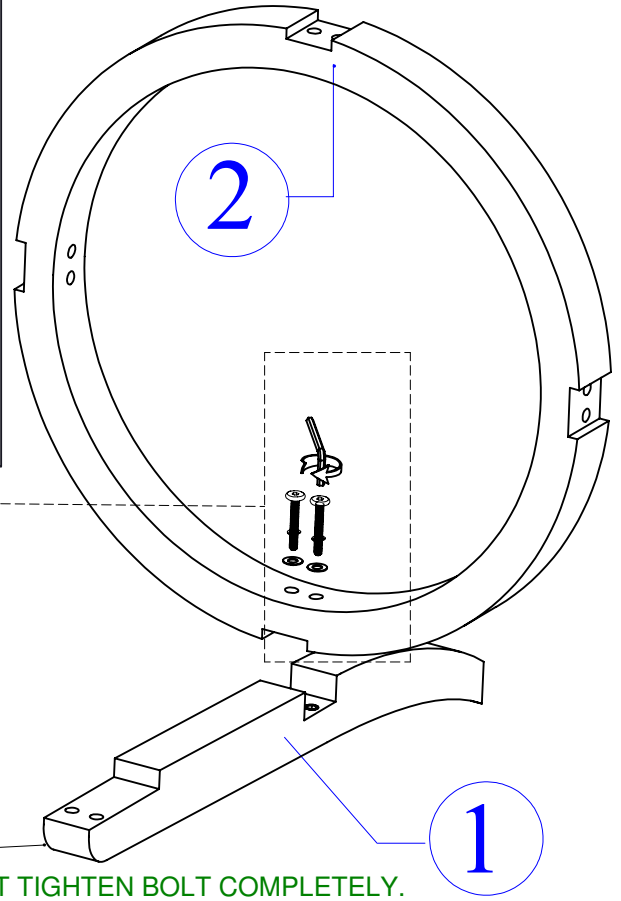
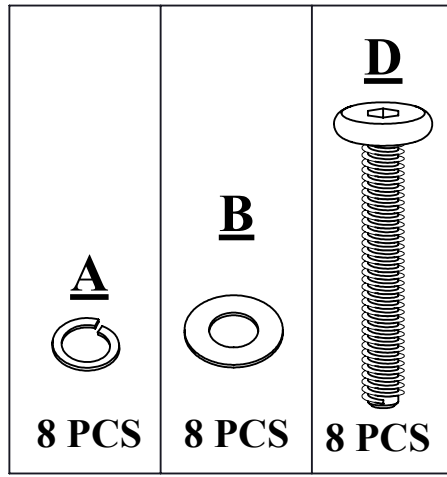
Allen Wrench:1 PC



# 01



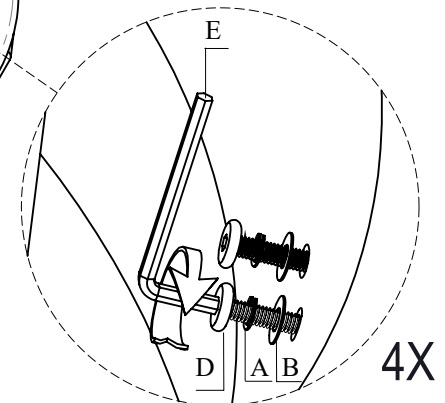
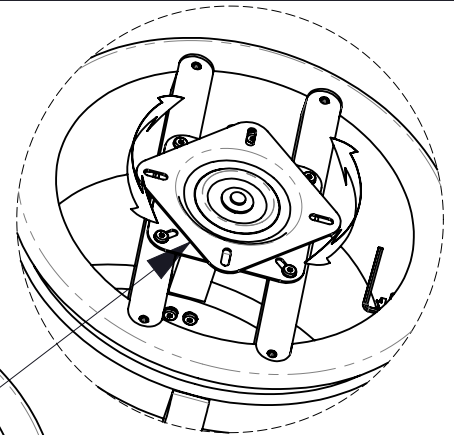
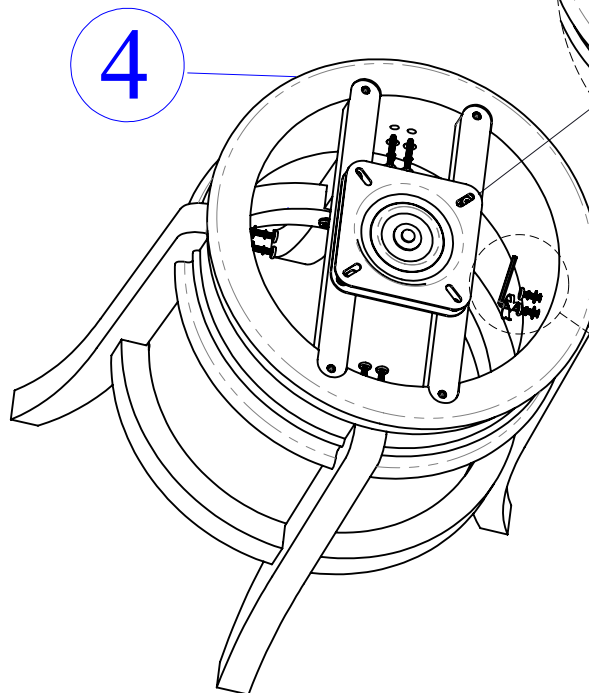
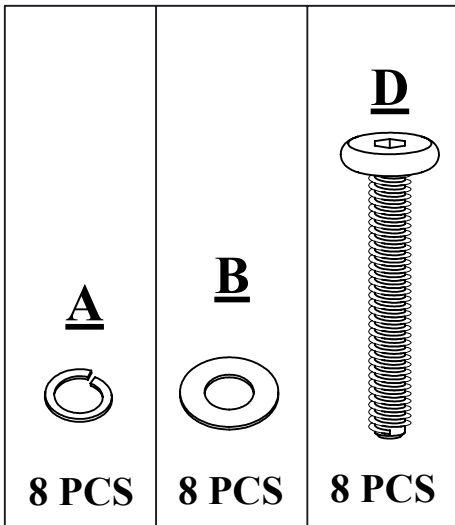
4X



DO NOT TIGHTEN BOLT COMPLETELY.

Please make sure that the protective metal kick plate from Footrest (Part #2) is facing upwards.  
Remove the white Tape from the protective metal kick plate before using.

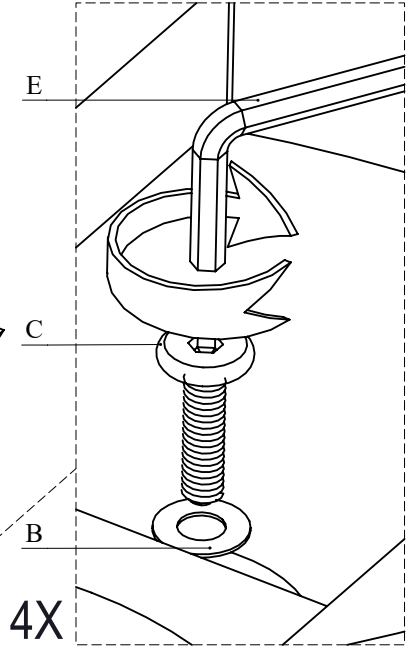
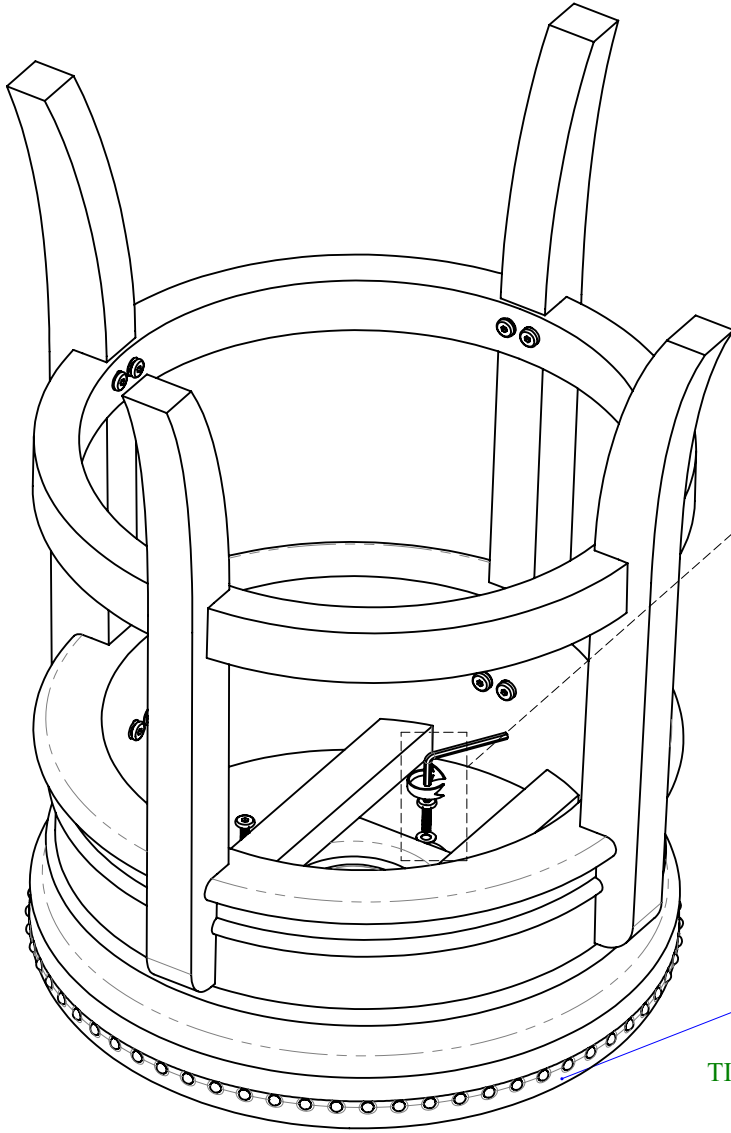
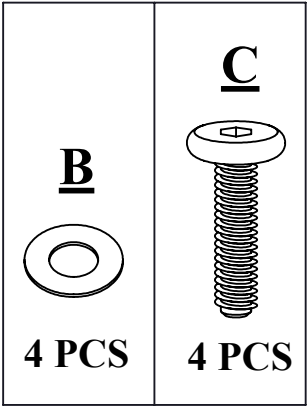
# 02



4X

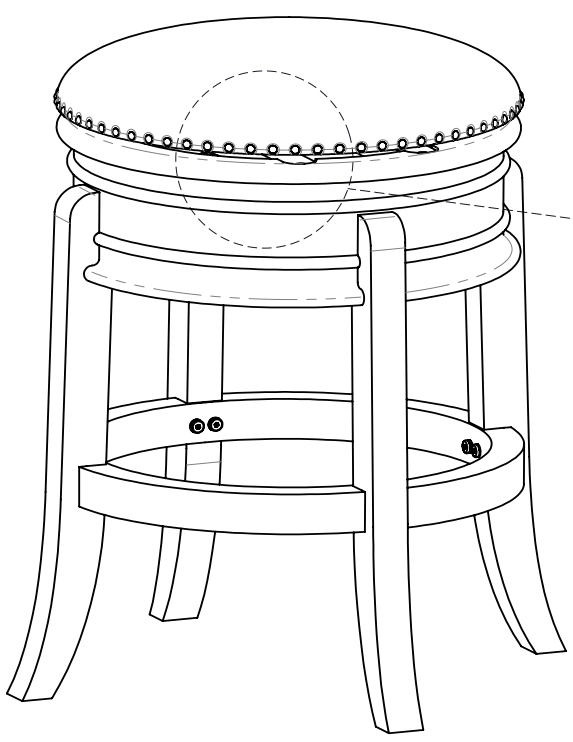
TIGHTEN BOLT COMPLETELY.

# 03

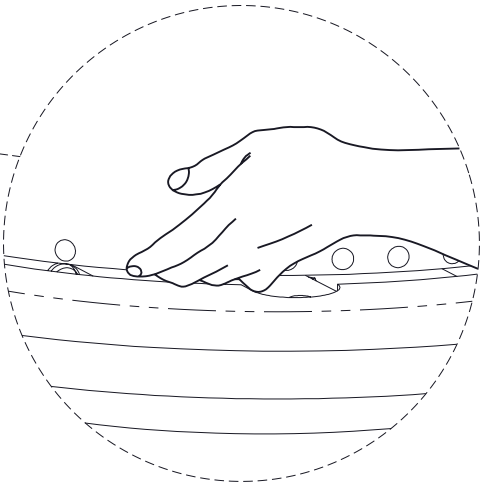


3

TIGHTEN BOLT COMPLETELY.



X



BE SURE TO CHECK ALL BOLTS ARE SECURELY TIGHTENED PRIOR USING THIS STOOL.