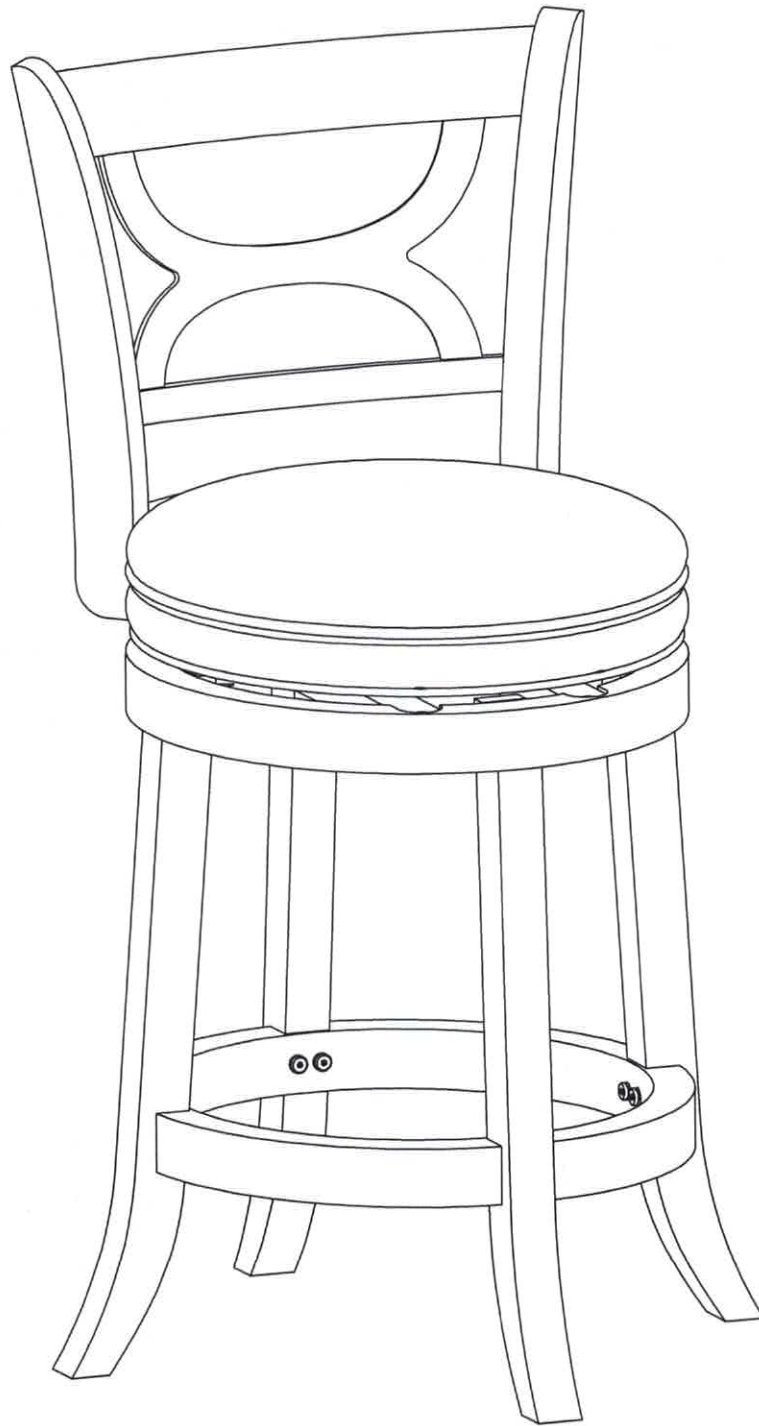
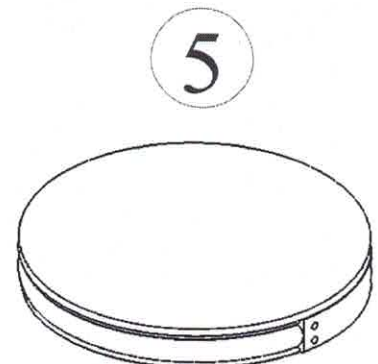
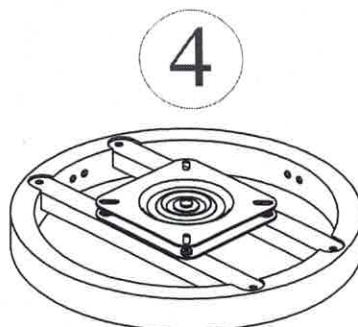
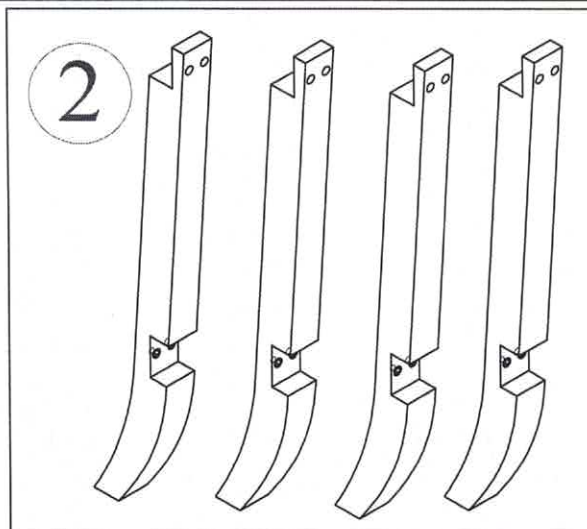
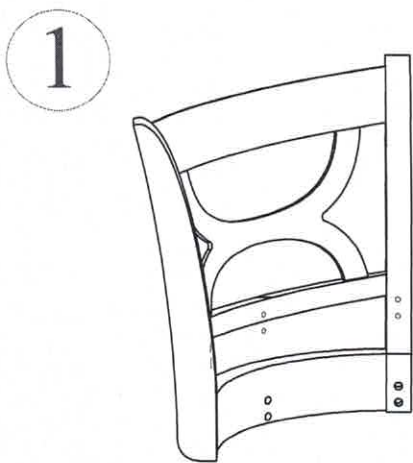
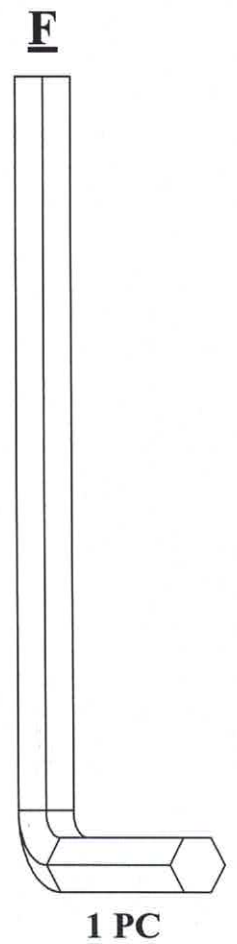
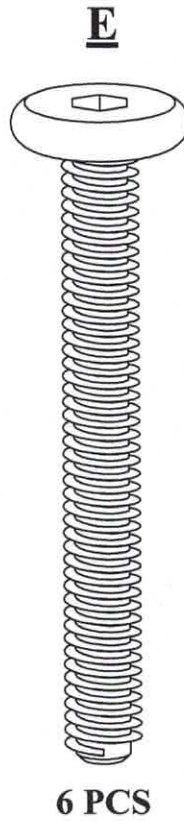
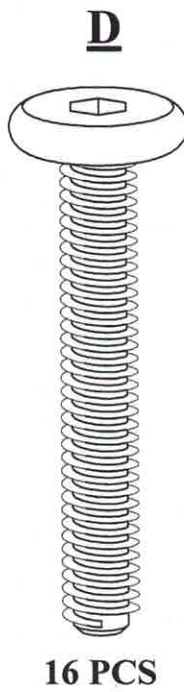
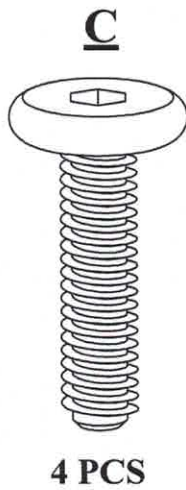
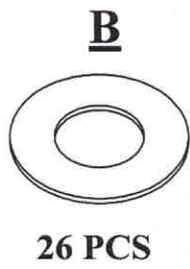


43724, 43729, 45724, 45729

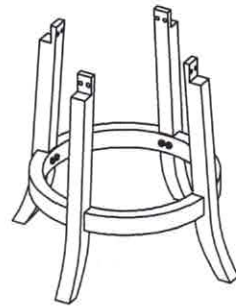
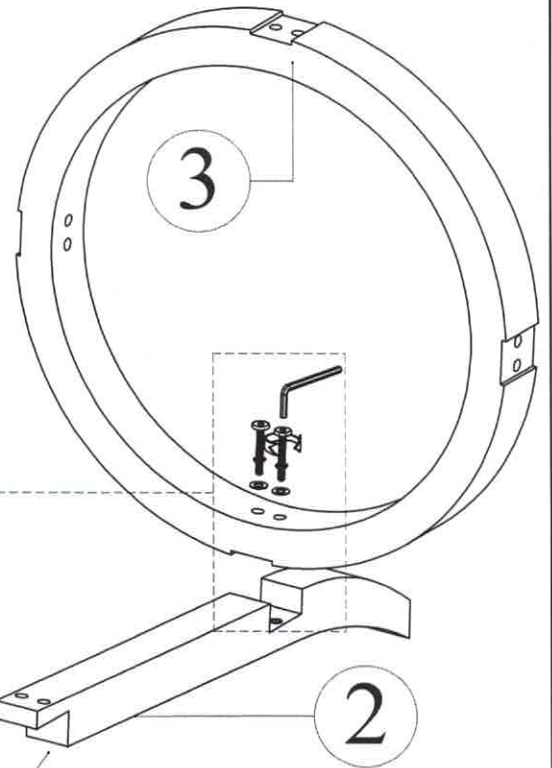
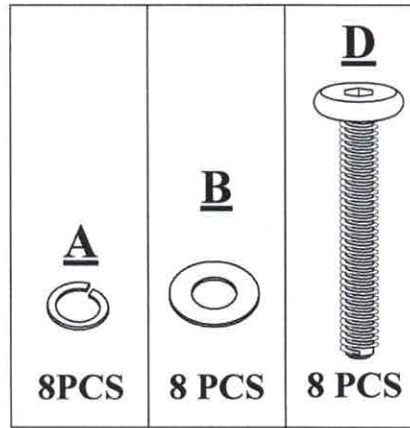
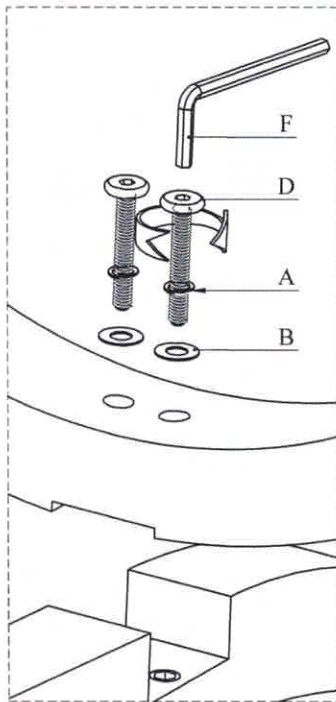


*Boraam Industries*  
**FLORENCE SWIVEL STOOL**  
ASSEMBLY INSTRUCTIONS



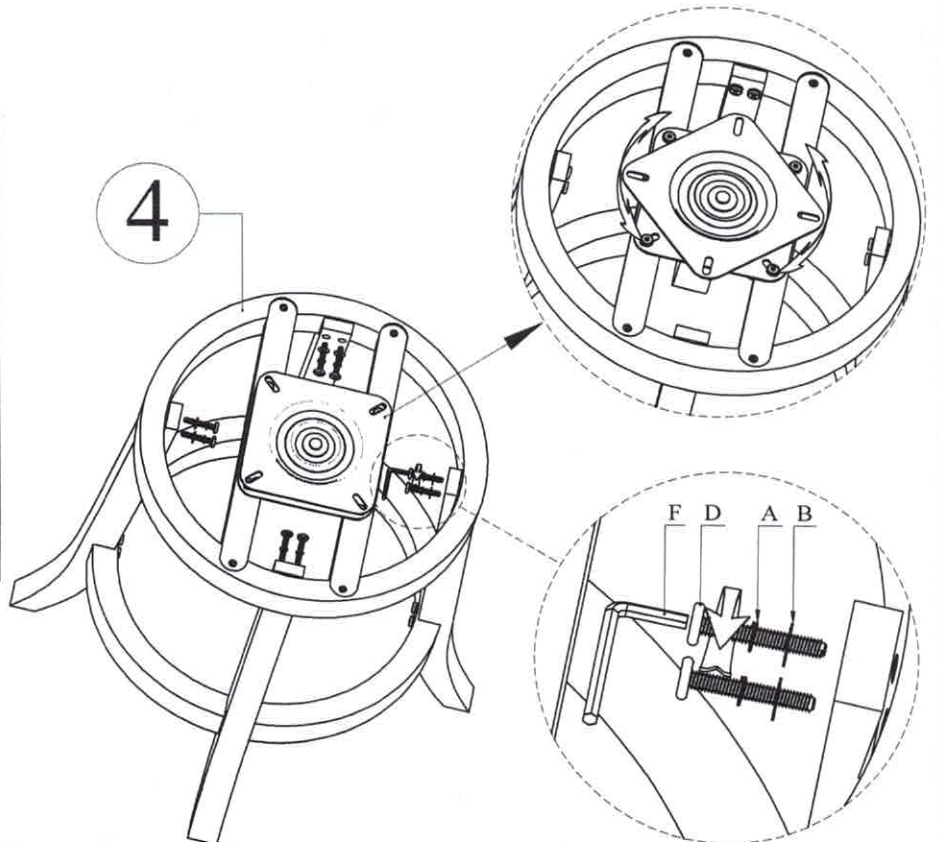
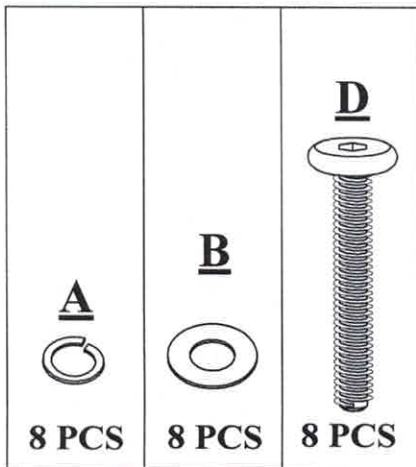


# 01



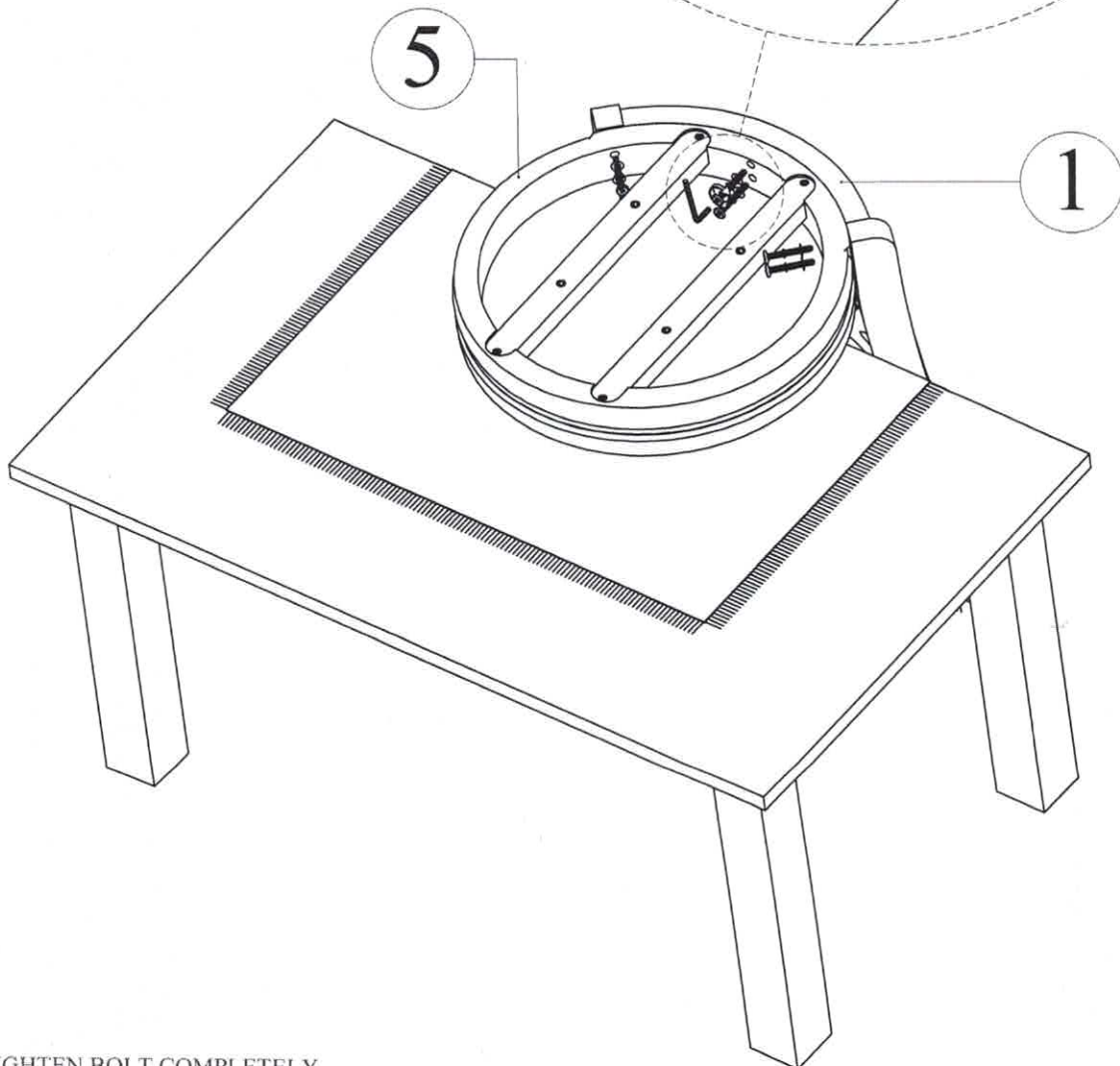
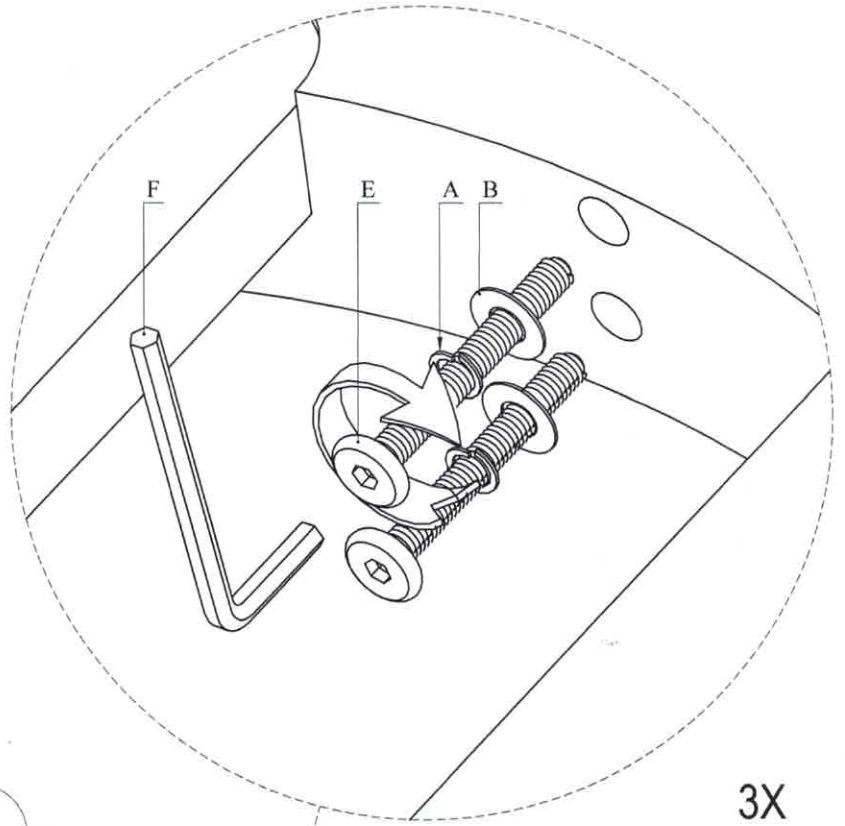
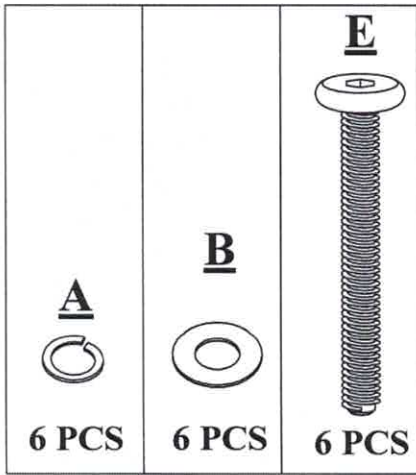
DO NOT TIGHTEN BOLT COMPLETELY.

# 02



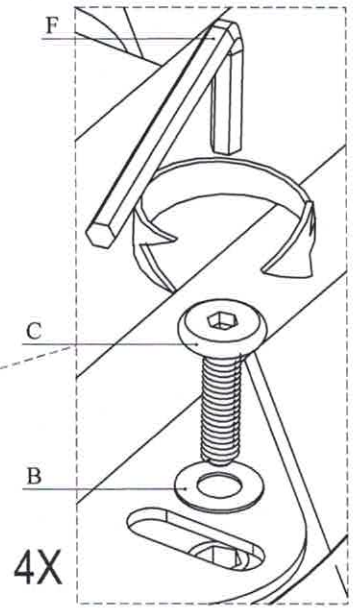
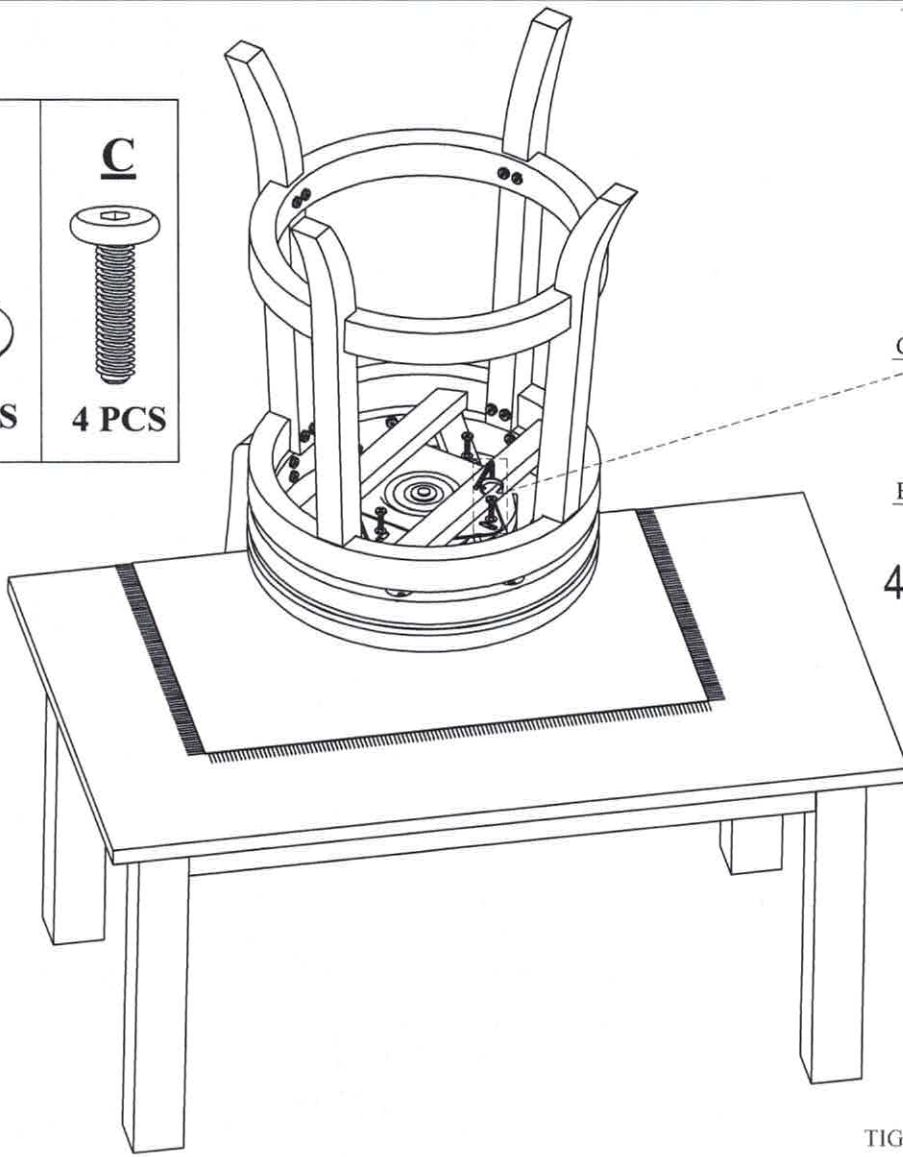
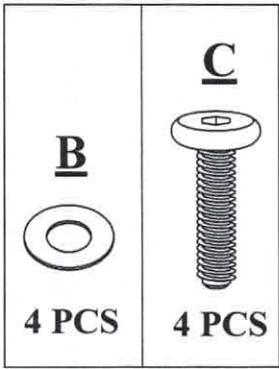
TIGHTEN BOLT COMPLETELY.

# 03

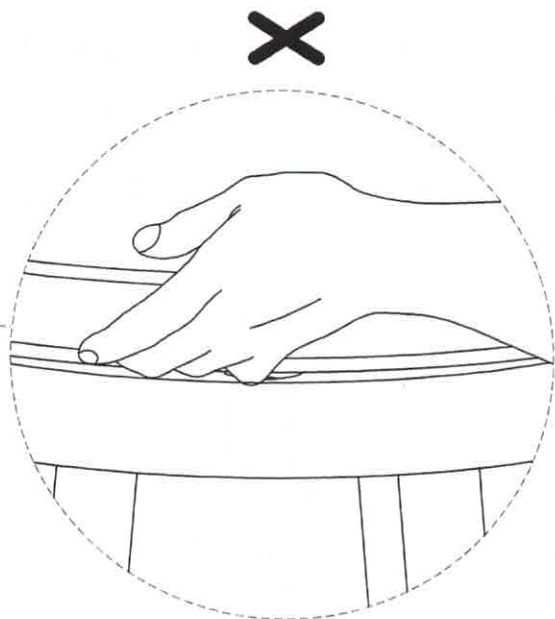
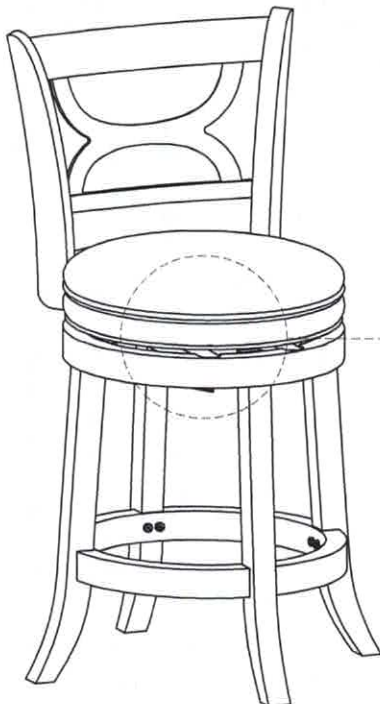


TIGHTEN BOLT COMPLETELY.

# 04



TIGHTEN BOLT COMPLETELY.



BE SURE TO CHECK ALL BOLTS ARE SECURELY TIGHTENED PRIOR USING THIS STOOL.