

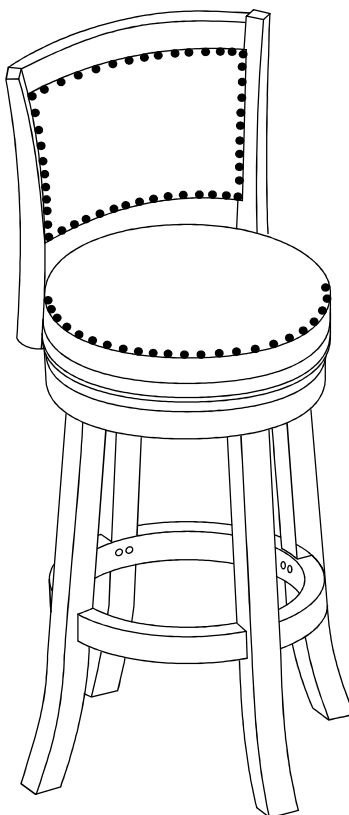


# Boraam Industries

ASSEMBLY INSTRUCTIONS

**SKU: 42824,42829,42924,42929,42524,42529,42424,42429**

## BRISTOL SWIVEL STOOL



Have questions about assembling your item?



Items or parts damaged?



Missing a part?

**We're here to help! (Monday-Friday from 9am-5pm CST)**



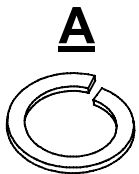
847-949-6300  
877-267-2261



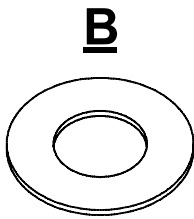
customerservice@  
boraamindustries.com



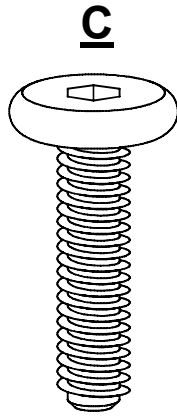
[www.boraamindustries.com](http://www.boraamindustries.com)



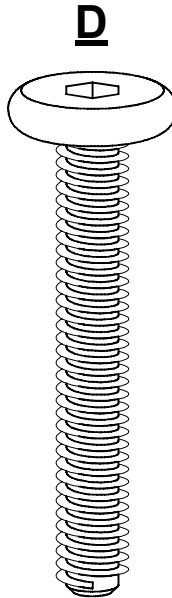
**M6\*10**  
22 PCS



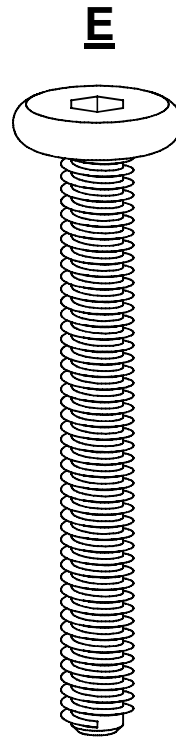
**M6\*16**  
26 PCS



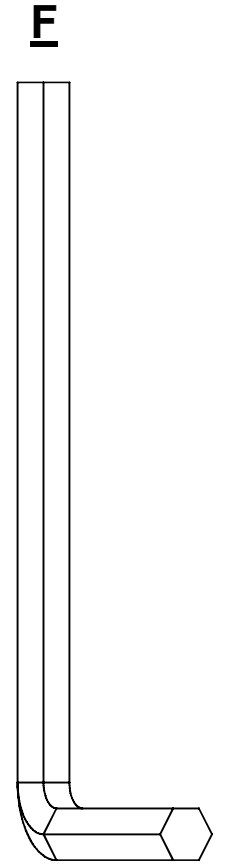
**M6\*25**  
4 PCS



**M6\*40**  
16 PCS

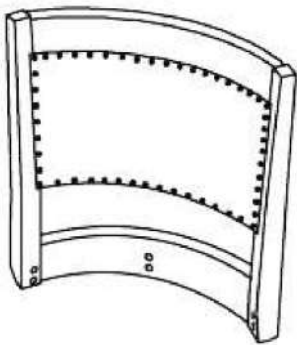


**M6\*50**  
6 PCS

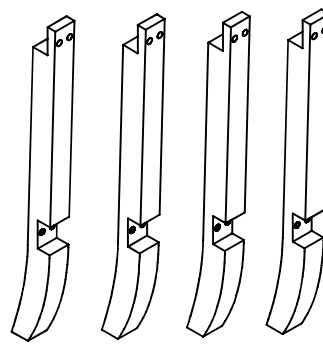


**M4\*110**  
1 PC

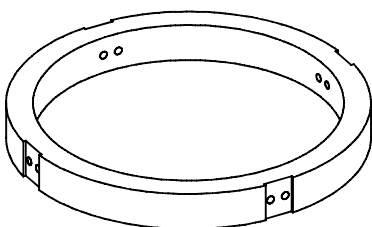
1



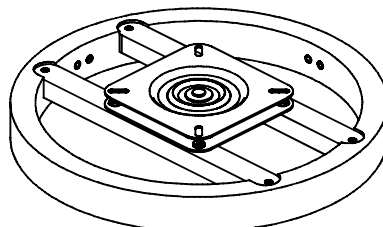
2



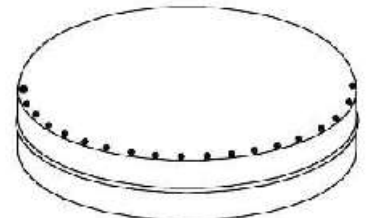
3



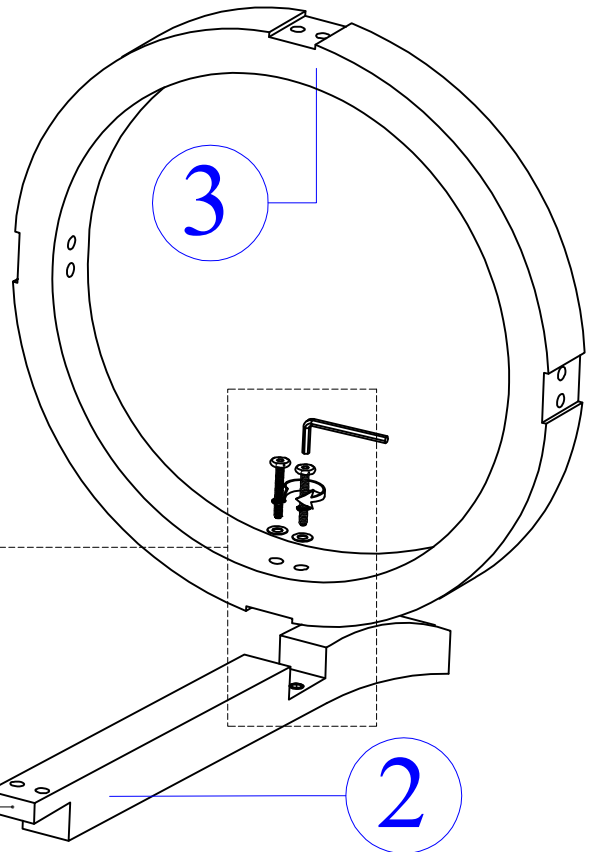
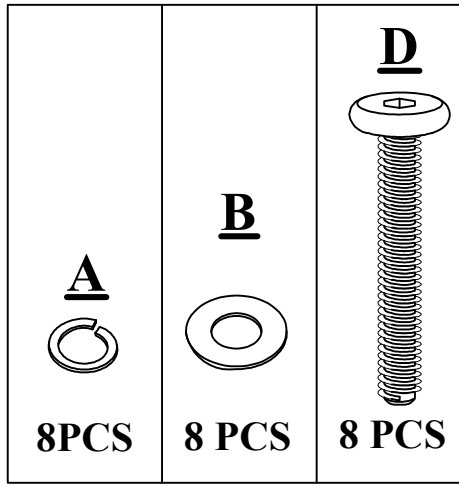
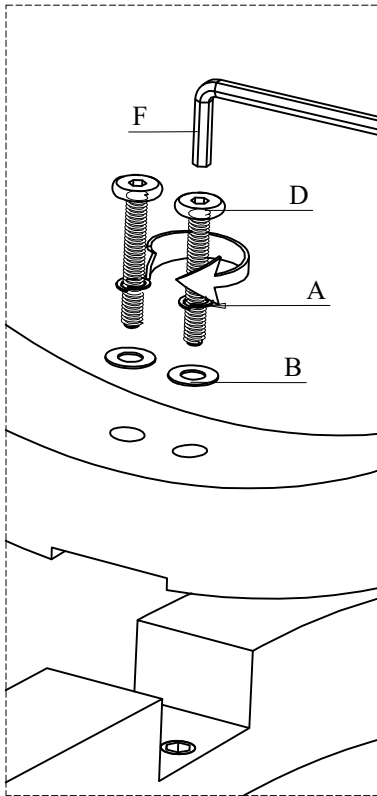
4



5



# 01

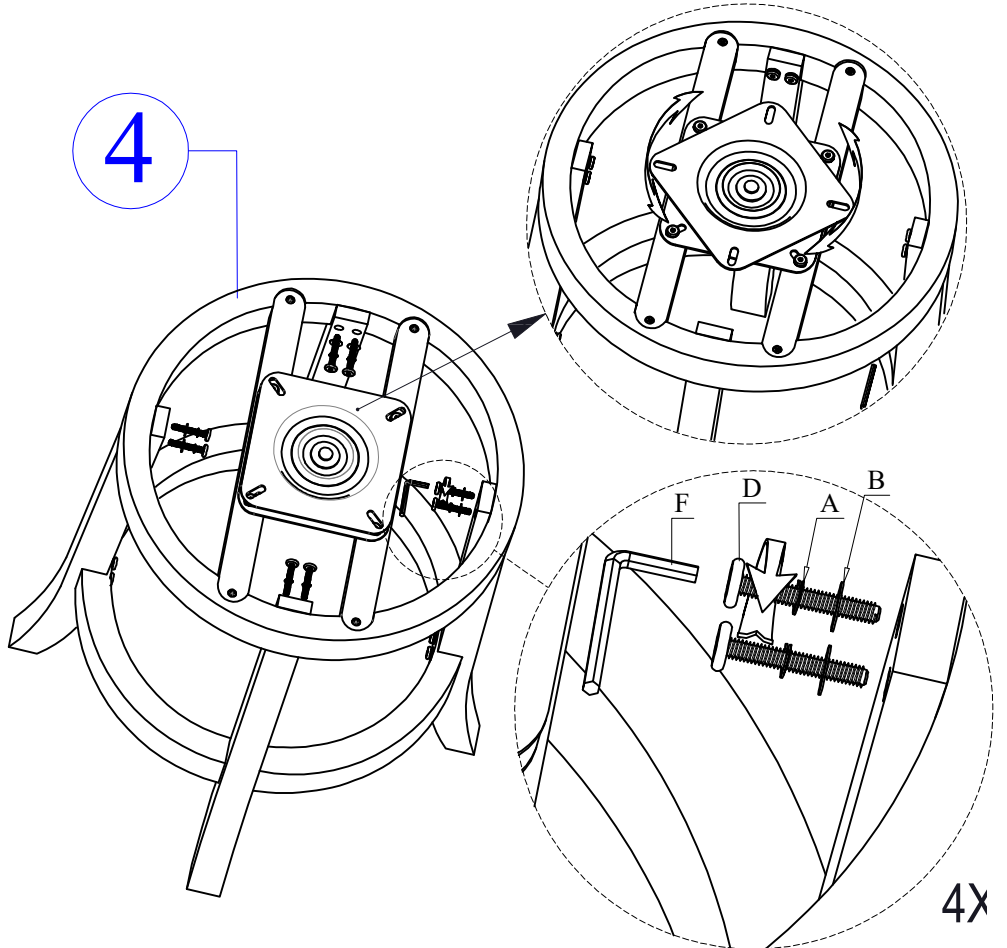
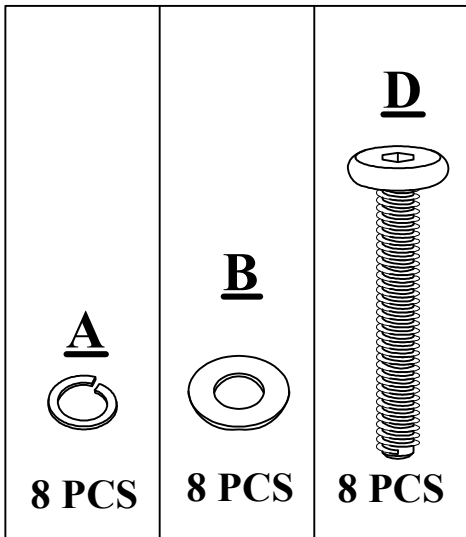


4X

DO NOT TIGHTEN BOLT COMPLETELY.

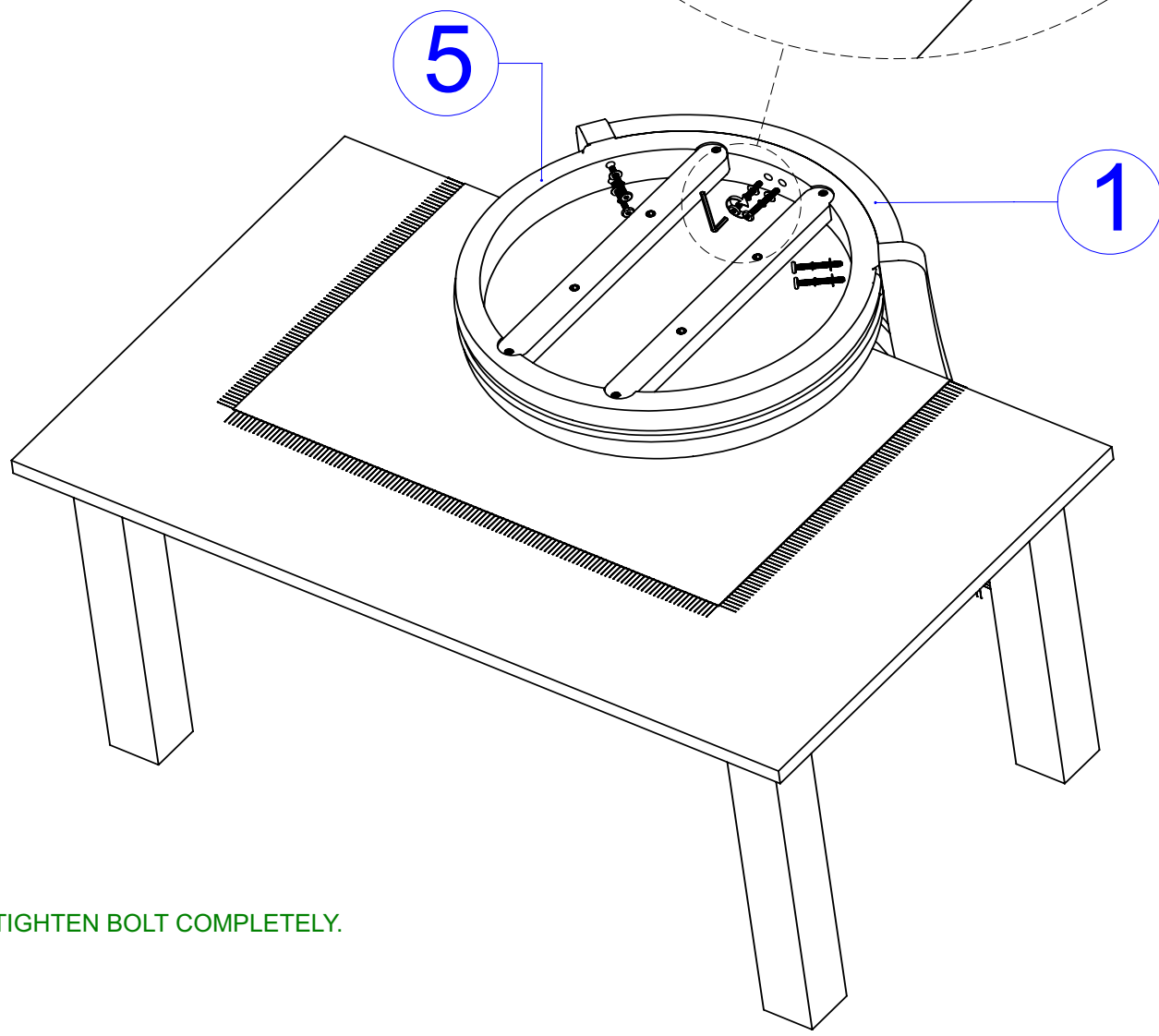
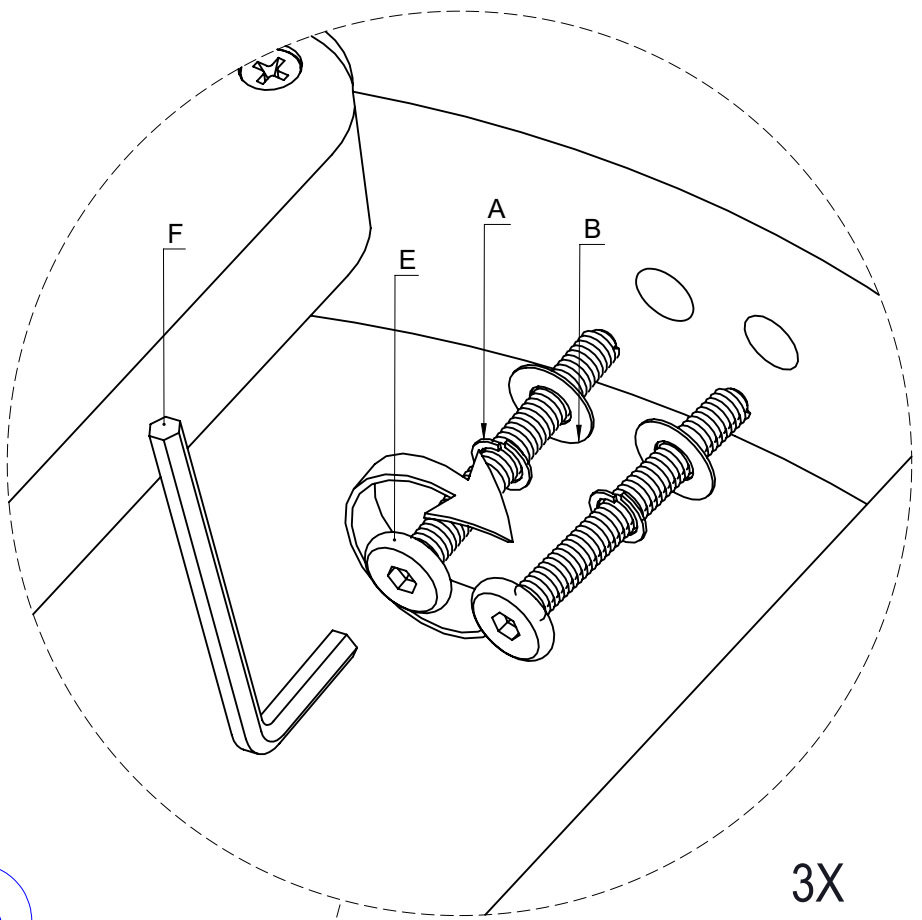
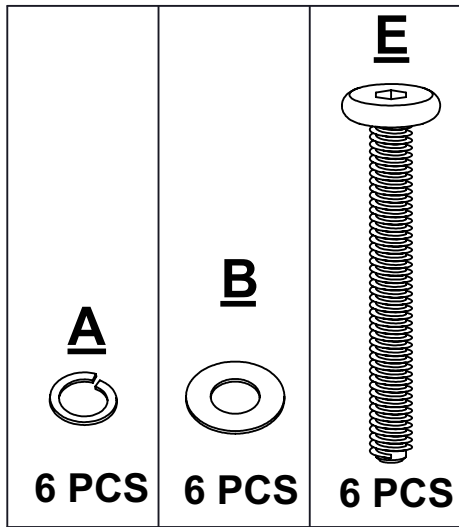
Please make sure that the protective metal kick plate from Footrest (Part #3) is facing upwards.  
Remove the white Tape from the protective metal kick plate before using.

# 02



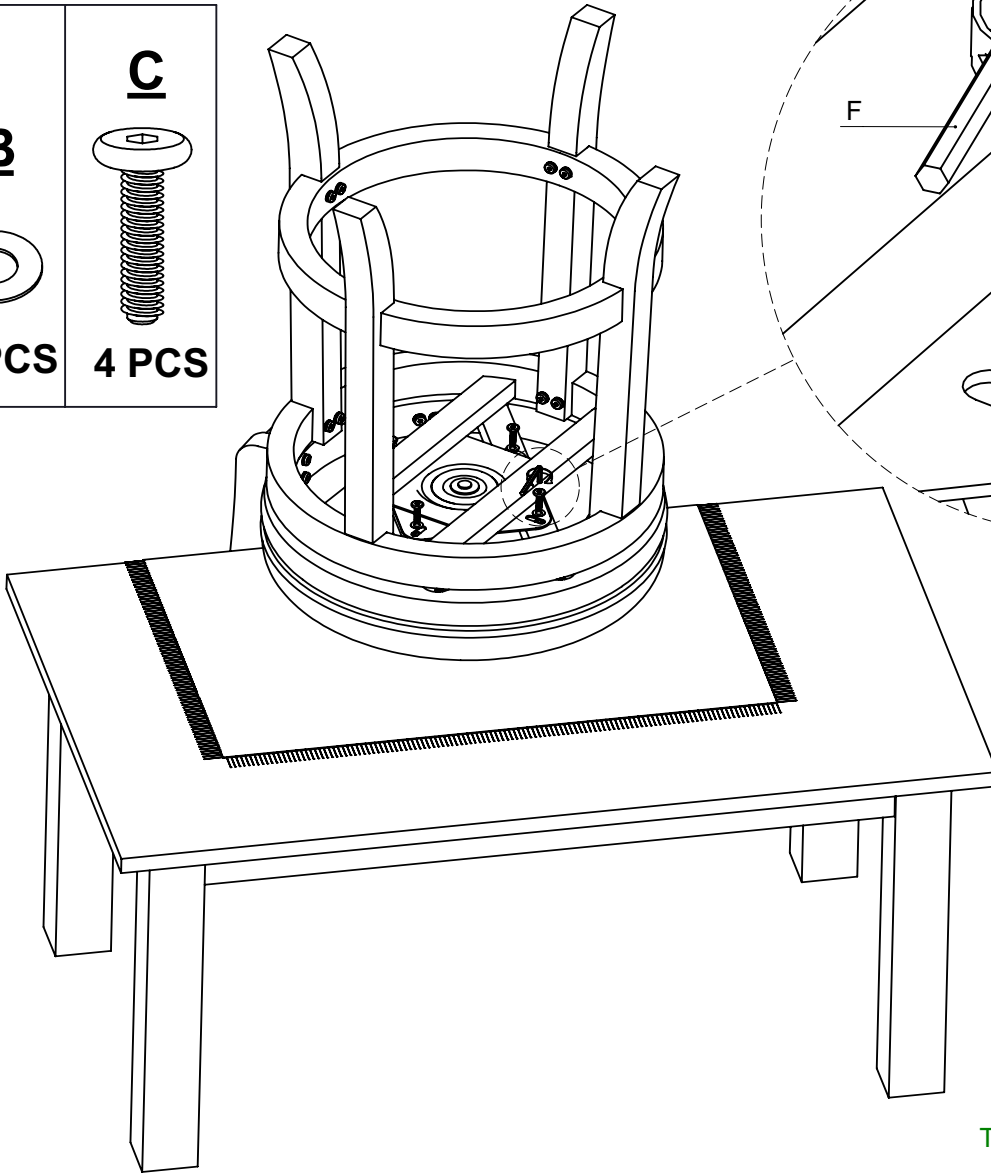
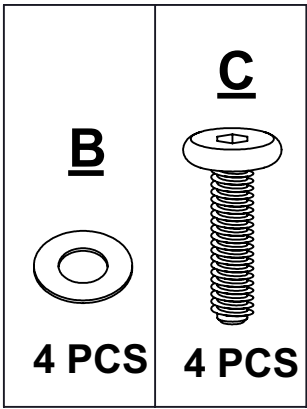
DO NOT TIGHTEN BOLT COMPLETELY.

# 03

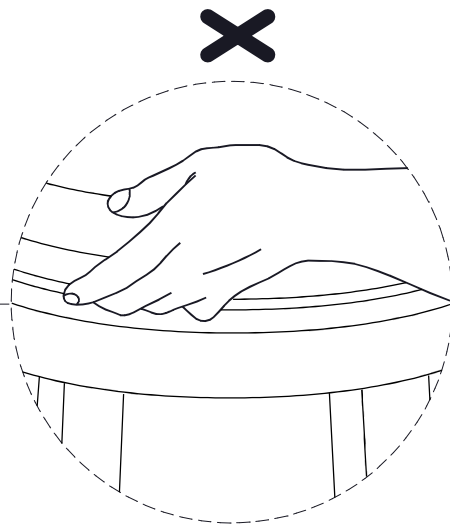
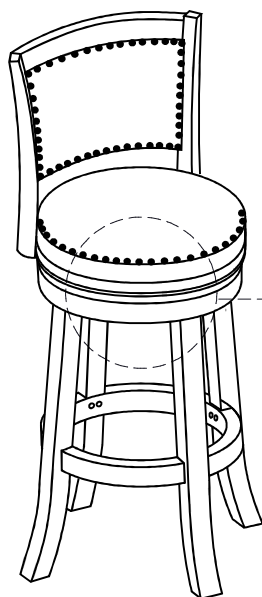


TIGHTEN BOLT COMPLETELY.

# 04



TIGHTEN BOLT COMPLETELY.



BE SURE TO CHECK ALL BOLTS ARE SECURELY TIGHTENED PRIOR USING THIS STOOL.