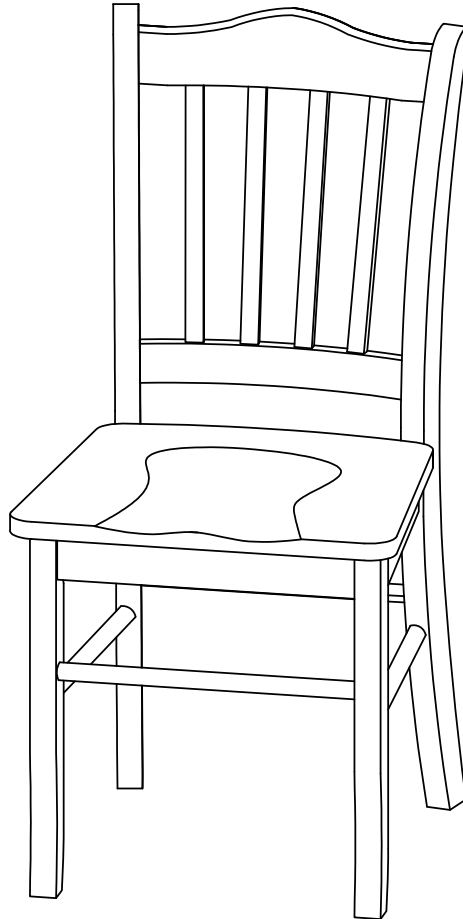




Boraam Industries

ASSEMBLY INSTRUCTIONS

SKU: 30536,30636,30136 | SHAKER DINING CHAIR



Have questions about assembling your item?



Items or parts damaged?



Missing a part?

We're here to help! (Monday-Friday from 9am-5pm CST)



847-949-6300
877-267-2261




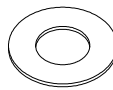
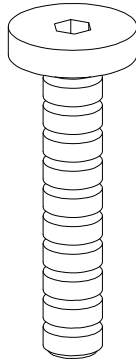
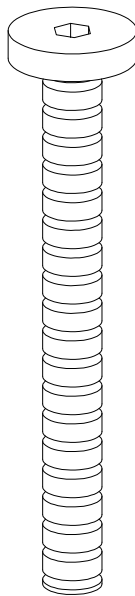
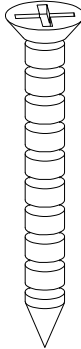
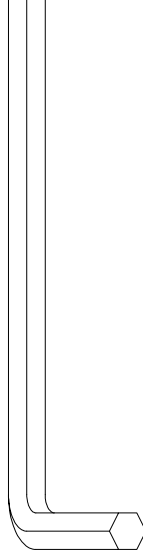
customerservice@
boraamindustries.com



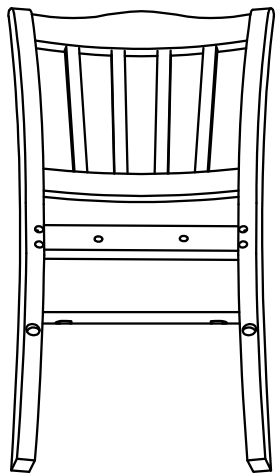
www.boraamindustries.com

Phillips
Screwdriver
(Not provided)

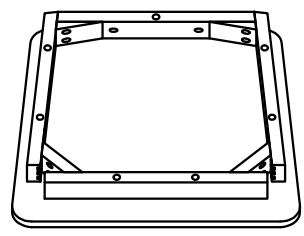


- A**

Spring Washer
M6*13
10PCS
- B**

Flat Washer
M6*19
10PCS
- C**

M6*35
2 PCS
- D**

M6*60
8 PCS
- E**

M4*35
6 PCS
- F**

Allen Wrench
1 PC

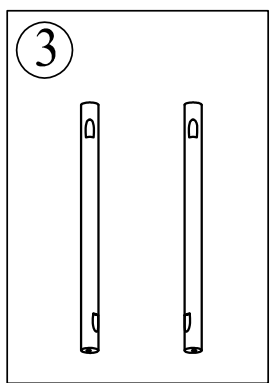
①



②



③



④





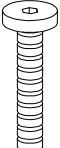
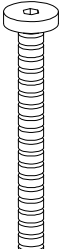
⑤

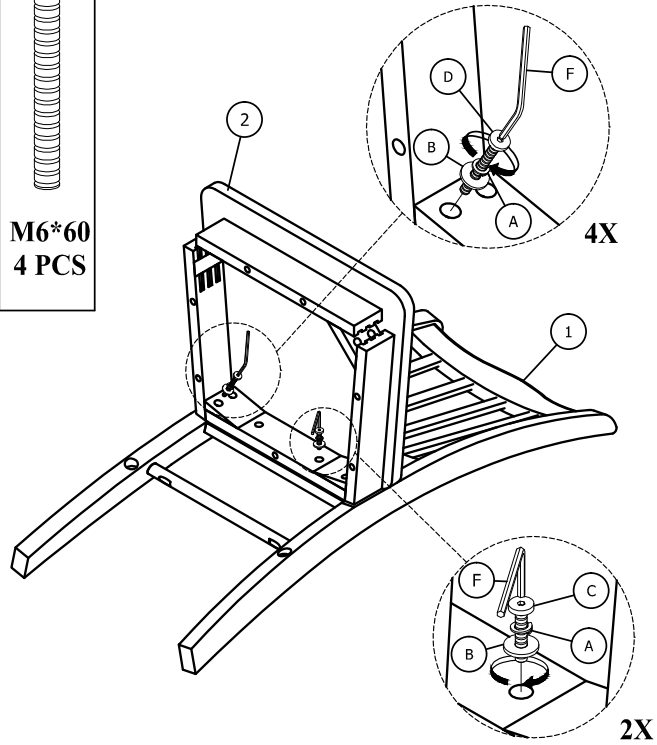


⑥

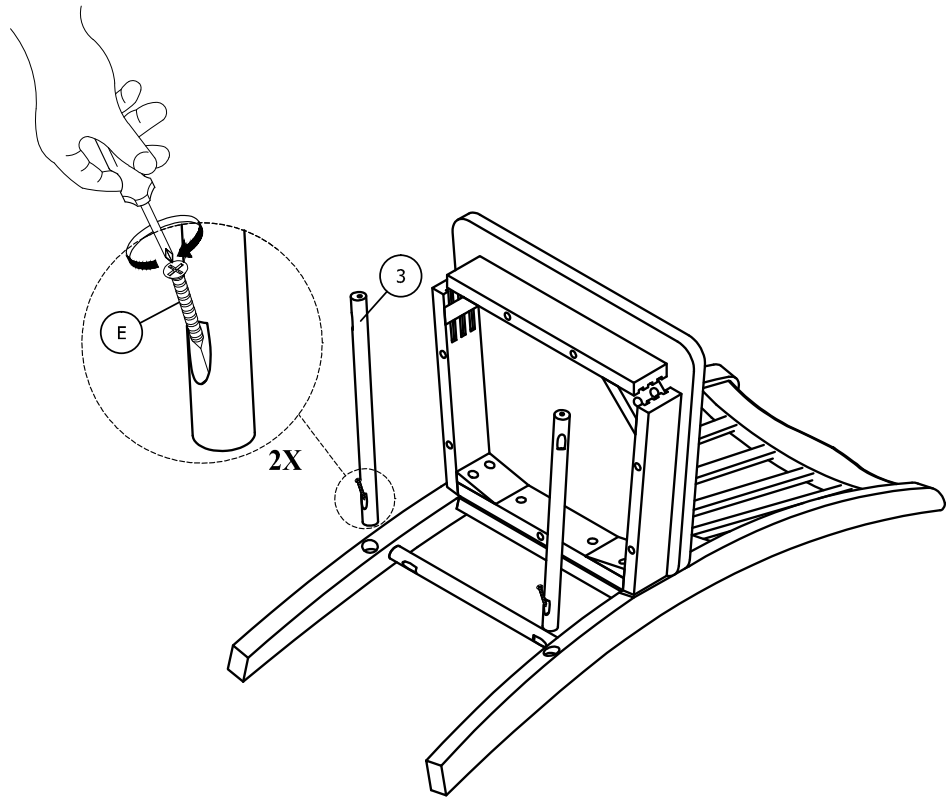
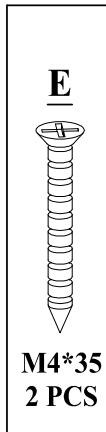


01

 A	 B	 C	 D
6 PCS	6 PCS	M6*35 2 PCS	M6*60 4 PCS

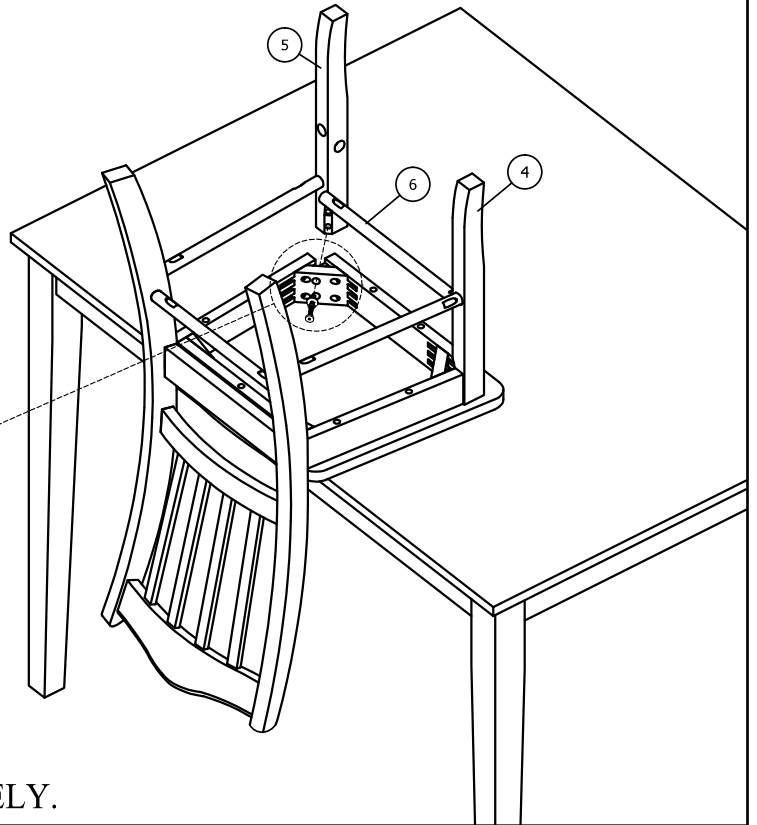
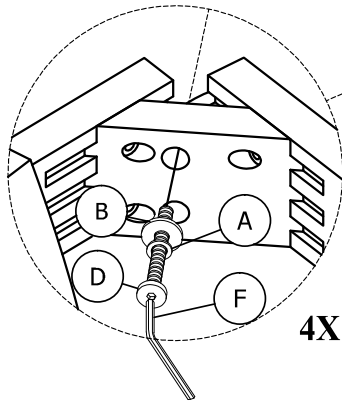
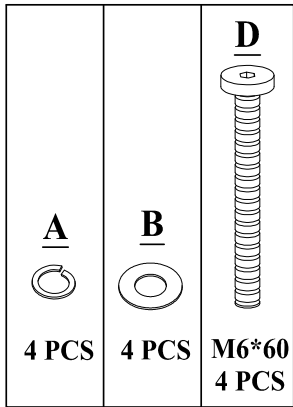


02



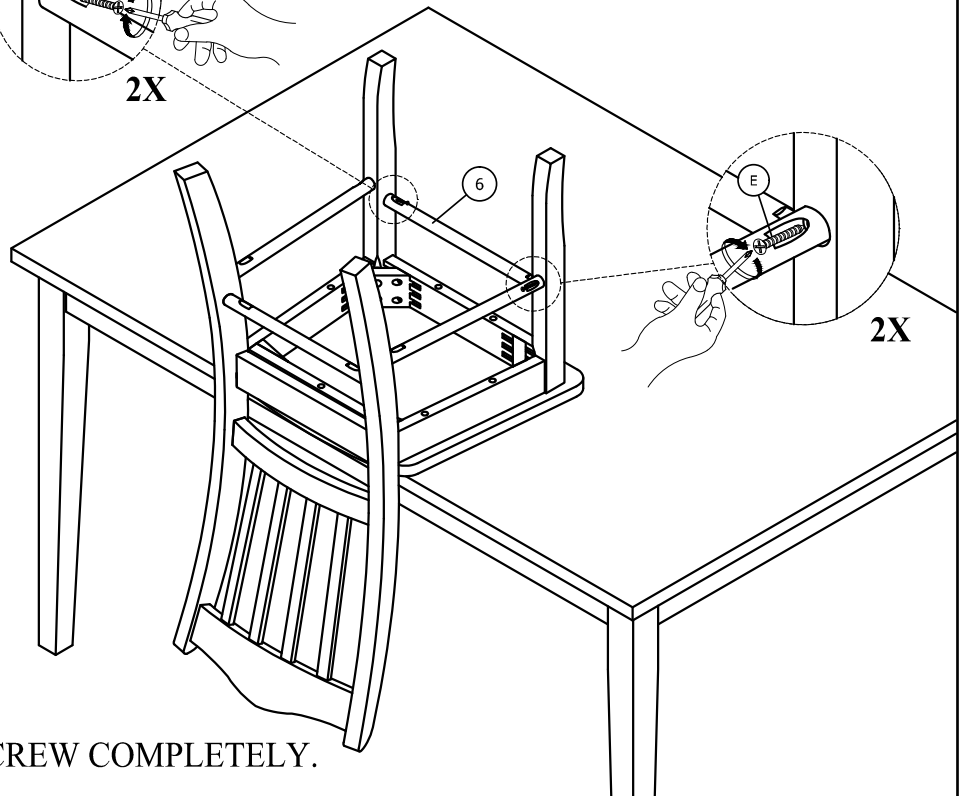
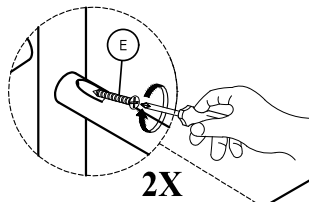
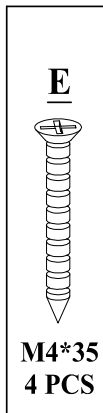
DO NOT TIGHTEN SCREW COMPLETELY.

03

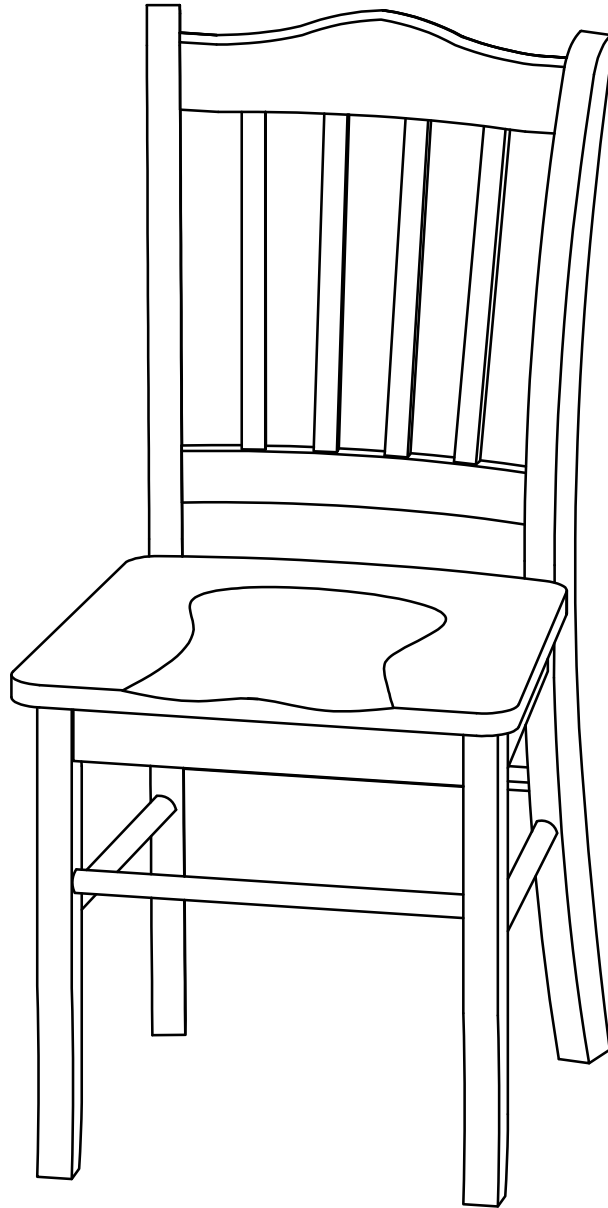


DO NOT TIGHTEN BOLT COMPLETELY.

04



TIGHTEN BOLT AND SCREW COMPLETELY.



BE SURE TO CHECK ALL BOLTS ARE SECURELY TIGHTENED PRIOR USING THIS CHAIR

847-949-6300 | 877-267-2261 | customerservice@boraamindustries.com