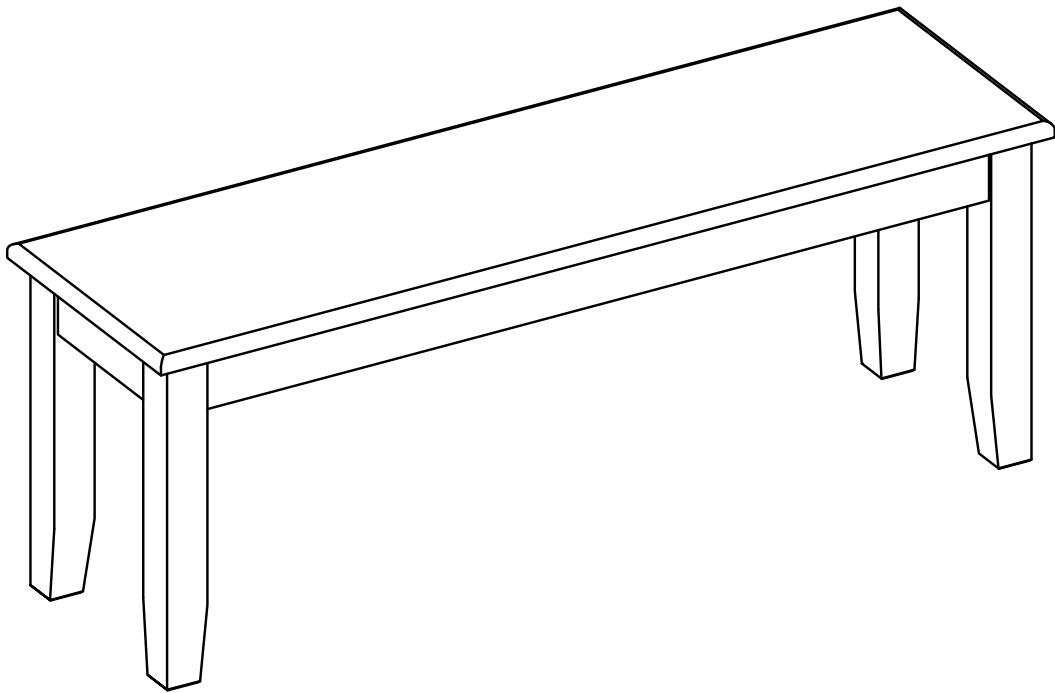




# Boraam Industries

ASSEMBLY INSTRUCTIONS

**SKU: 21032,22032 | BLOOMINGTON BENCH**



Have questions about assembling your item?



Items or parts damaged?



Missing a part?

**We're here to help! (Monday-Friday from 9am-5pm CST)**



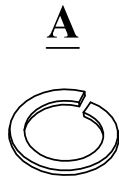
847-949-6300  
877-267-2261



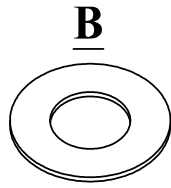
customerservice@  
boraamindustries.com



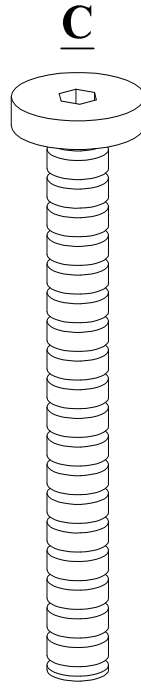
www.boraamindustries.com



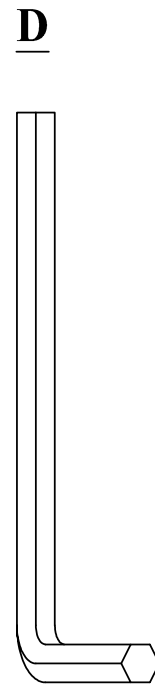
**Spring Washer**  
8 PCS



**Flat Washer**  
8 PCS

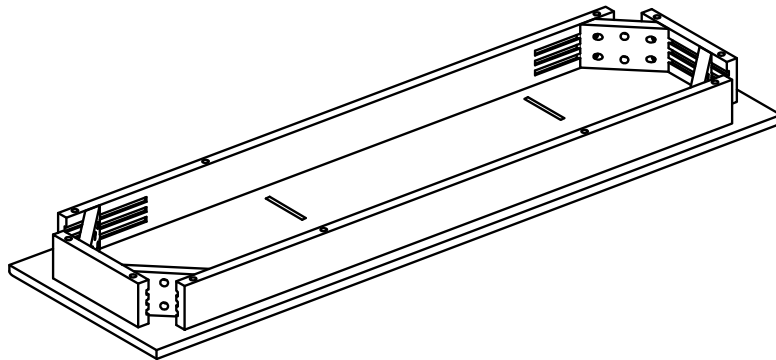


**M8\*70**  
8 PCS

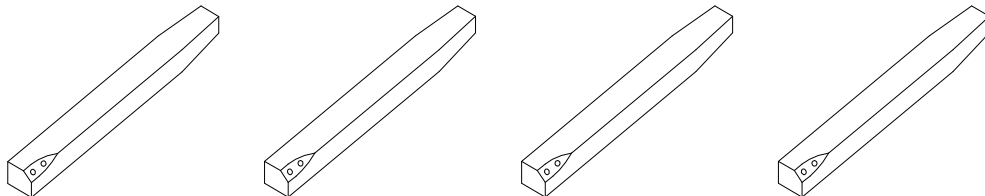


**Allen Wrench**  
1 PC

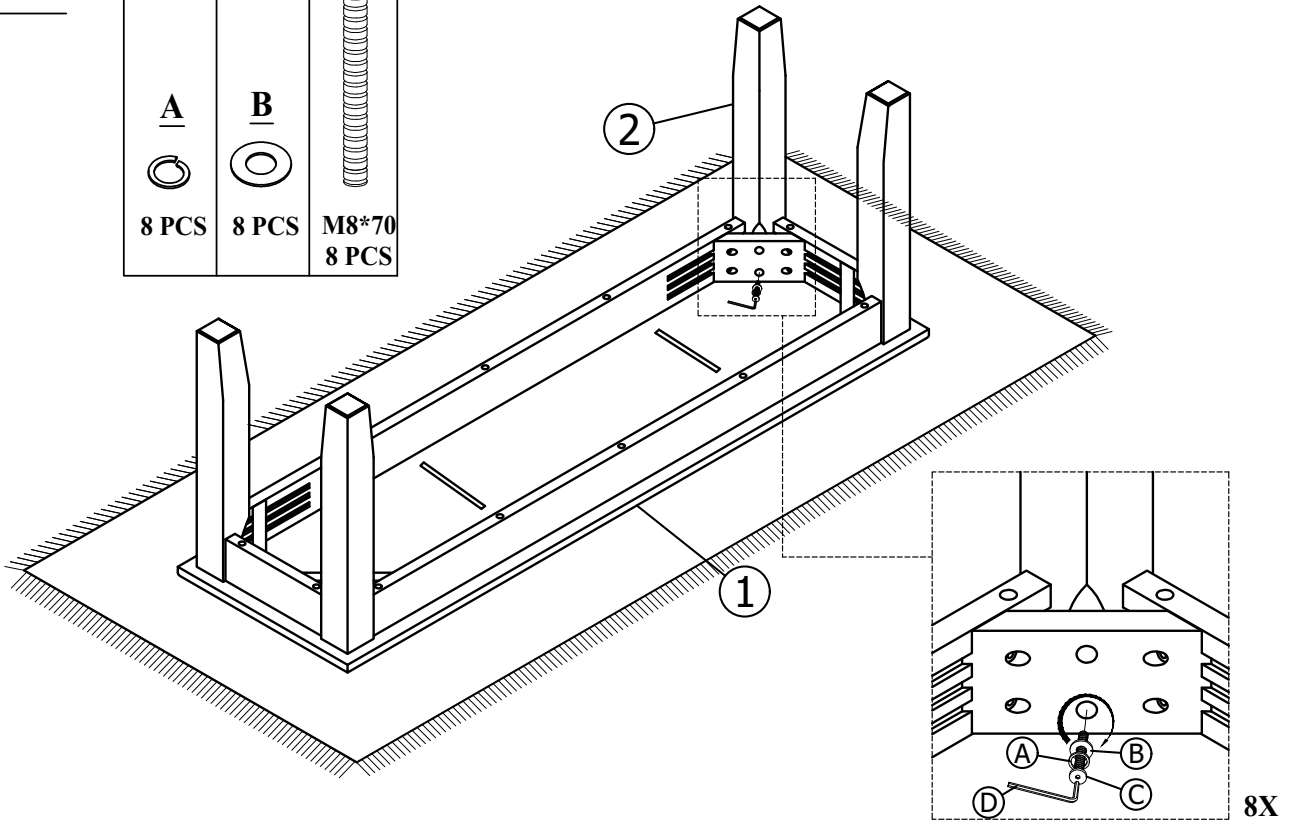
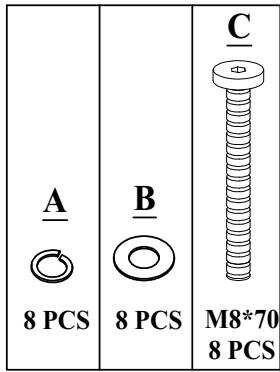
①



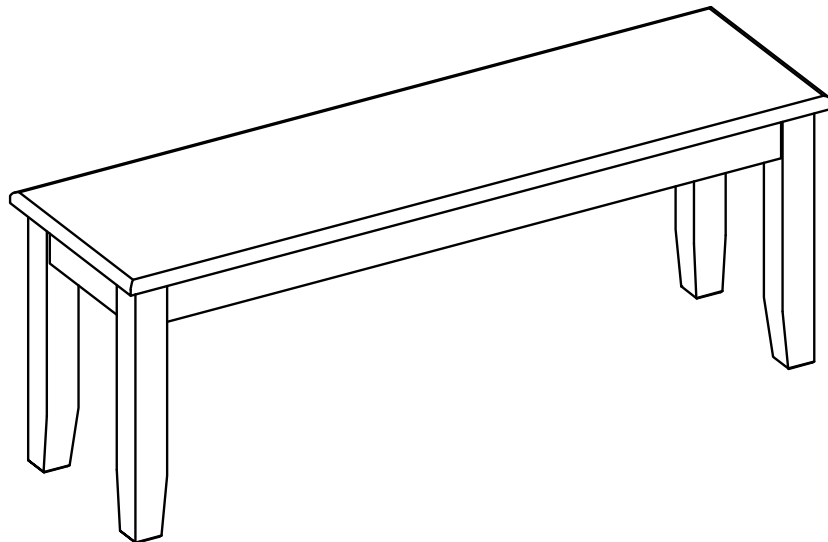
②



**01**



TIGHTEN BOLT COMPLETELY.



BE SURE TO CHECK ALL BOLTS ARE SECURELY TIGHTENED PRIOR USING THIS BENCH

847-949-6300 | 877-267-2261 | [customerservice@boraamindustries.com](mailto:customerservice@boraamindustries.com)