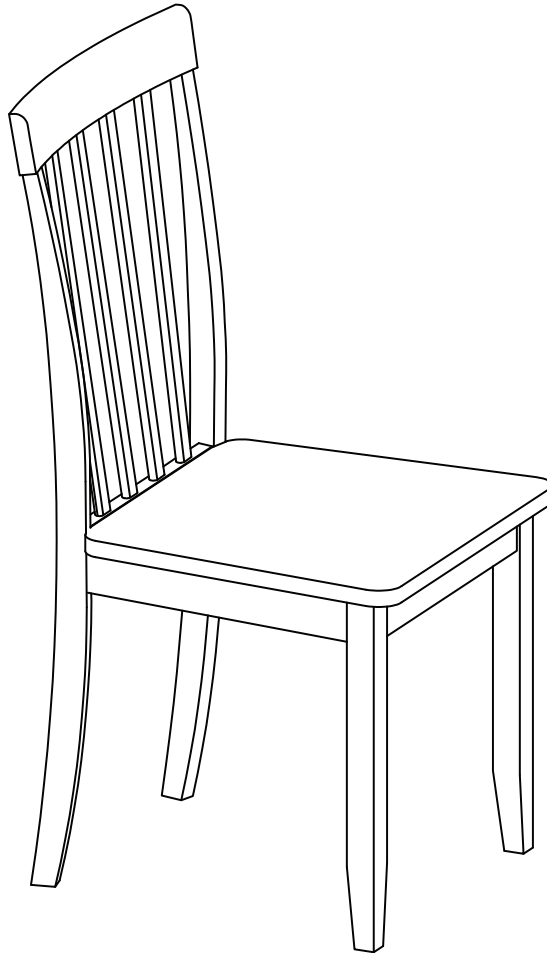




Boraam Industries

ASSEMBLY INSTRUCTIONS

SKU: 22031,21031 | BLOOMINGTON DINING CHAIR



Have questions about
assembling your item?



Items or parts damaged?



Missing a part?

We're here to help! (Monday-Friday from 9am-5pm CST)



847-949-6300
877-267-2261



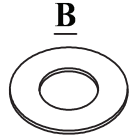
customerservice@
boraamindustries.com



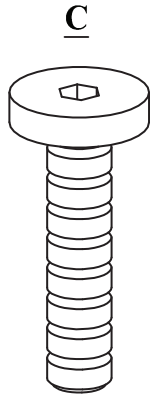
www.boraamindustries.com



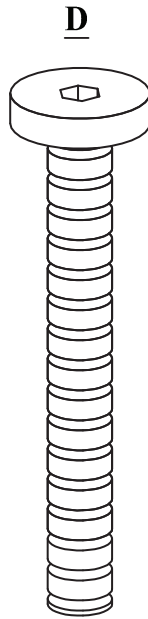
A
Spring Washer
9 PCS



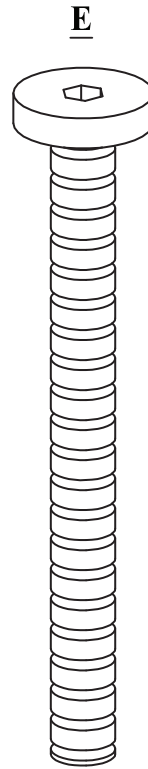
B
Flat Washer
9 PCS



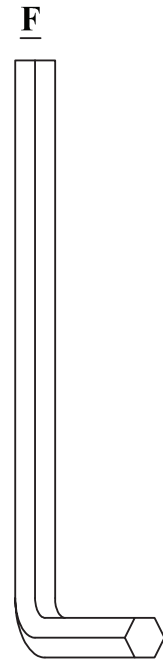
C
M6*35
1 PC



D
M6*60
4 PCS

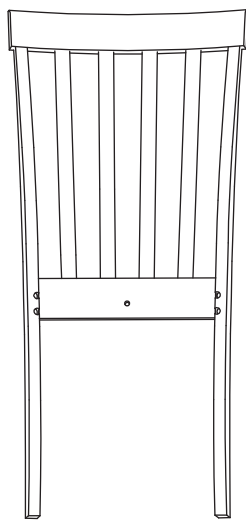


E
M6*80
4 PCS

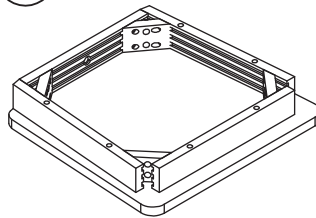


F
Allen Wrench
1 PC

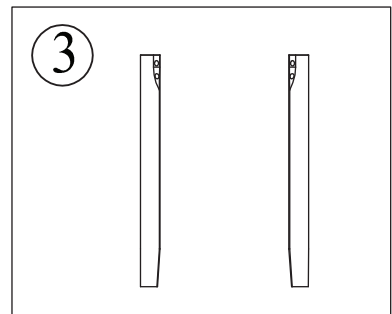
①





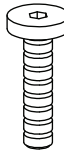
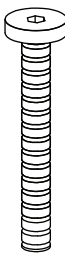
②

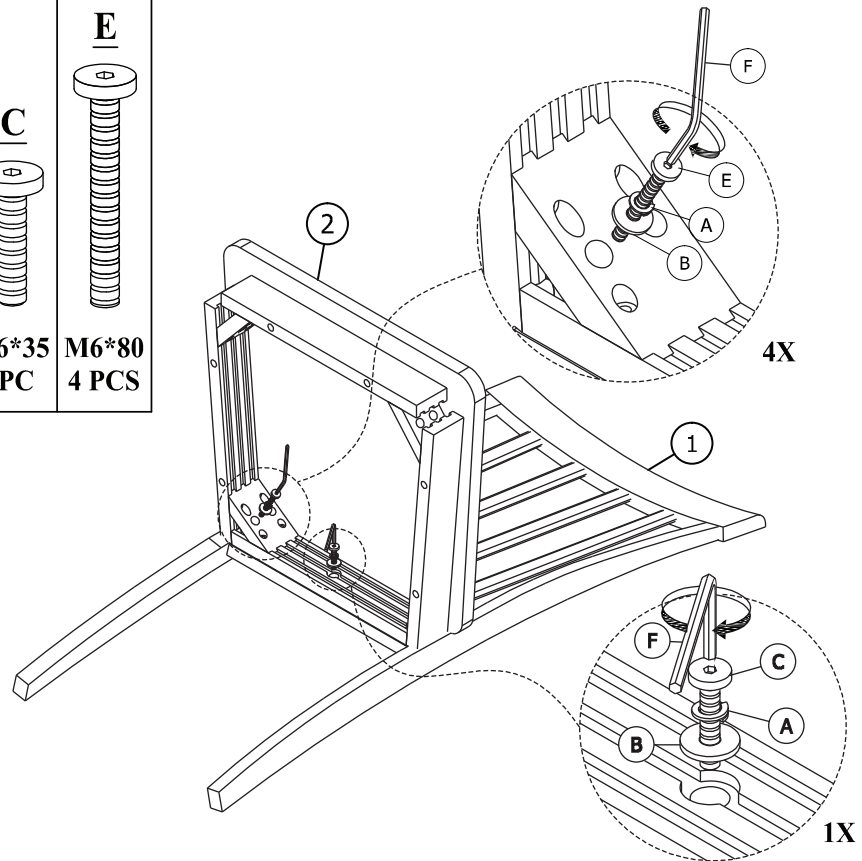


③





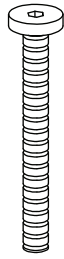
01

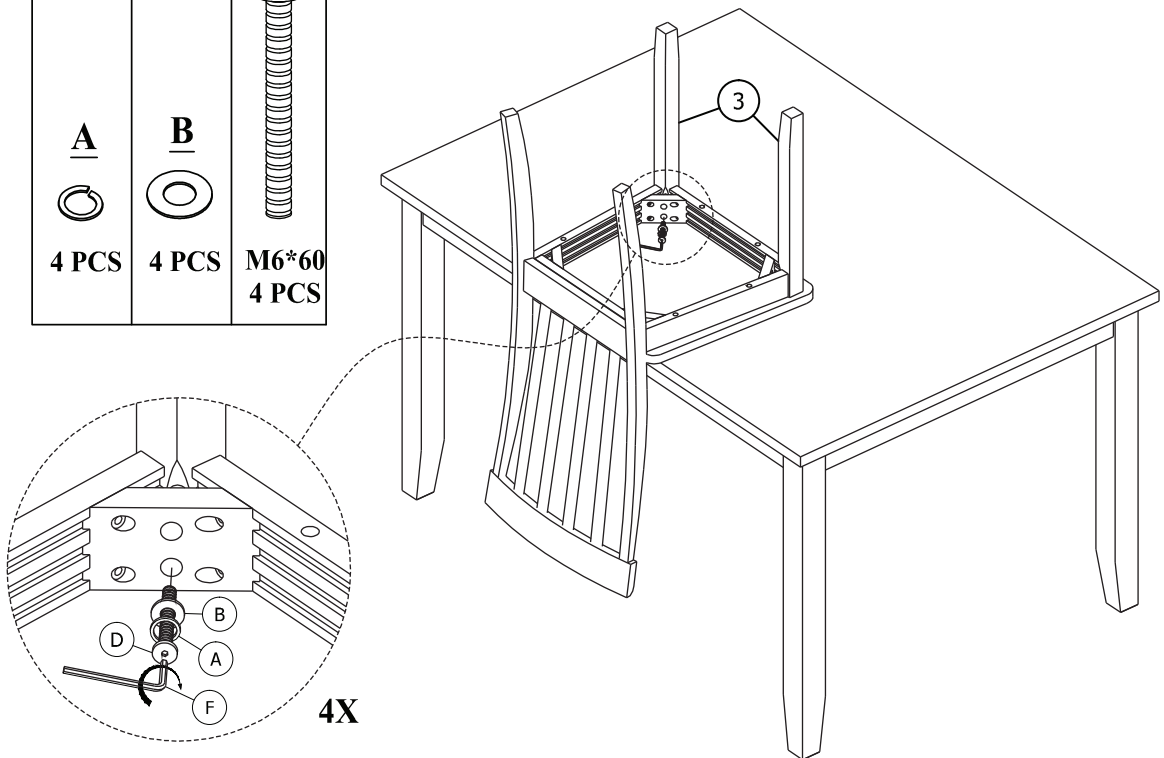
A  5 PCS	B  5 PCS	C  M6*35 1PC	E  M6*80 4 PCS
--	--	---	---



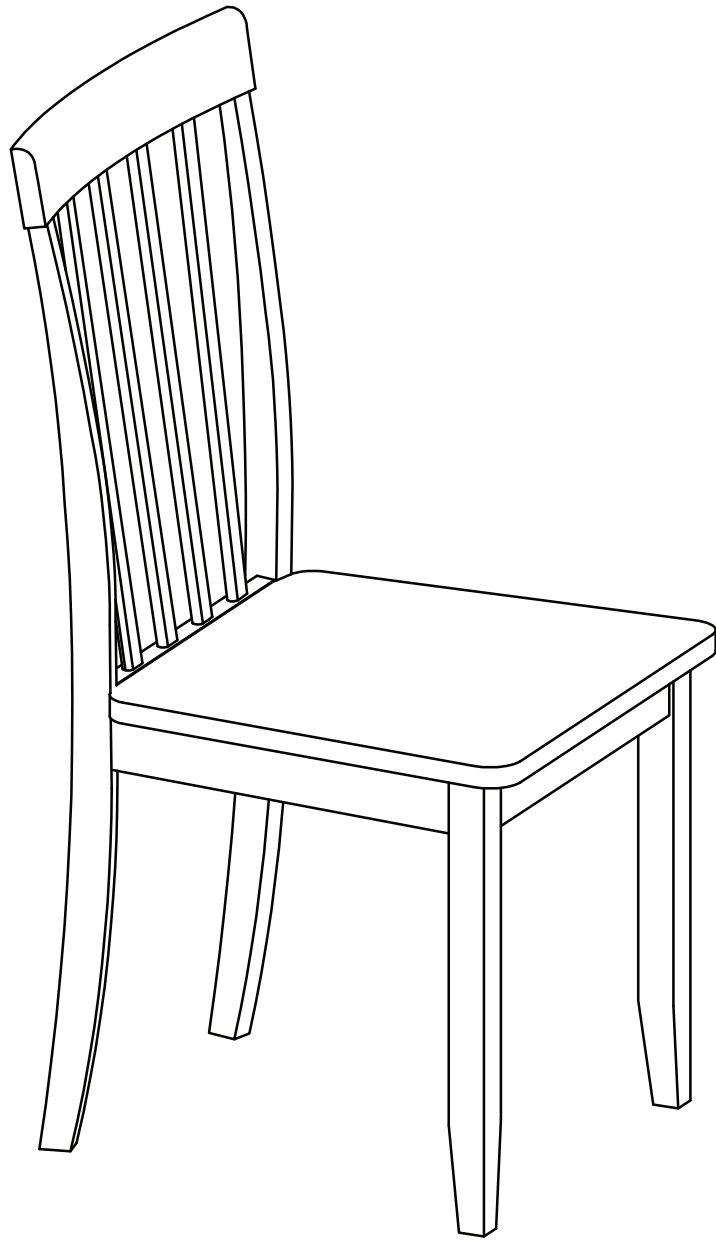
TIGHTEN BOLT COMPLETELY.

02

A  4 PCS	B  4 PCS	D  M6*60 4 PCS
--	--	---



TIGHTEN BOLT COMPLETELY.



BE SURE TO CHECK ALL BOLTS ARE SECURELY TIGHTENED PRIOR USING THIS CHAIR

847-949-6300 | 877-267-2261 | customerservice@boraamindustries.com