

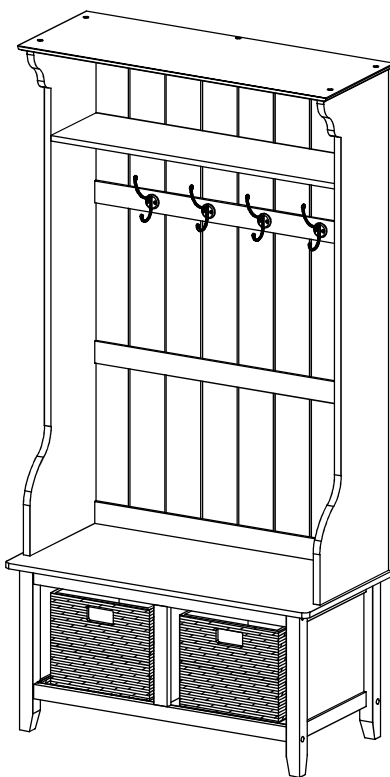


Boraam Industries

ASSEMBLY INSTRUCTIONS

SKU: 19016

CAROLYN HALL TREE



Have questions about assembling your item?



Items or parts damaged?



Missing a part?

We're here to help! (Monday-Friday from 9am-5pm CST)



847-949-6300
877-267-2261



customerservice@
boraamindustries.com



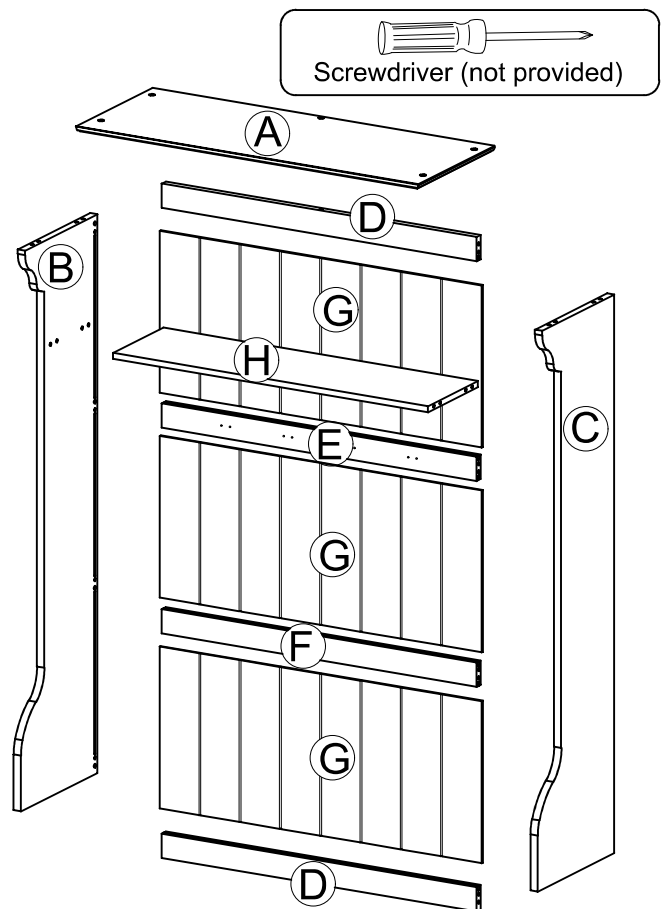
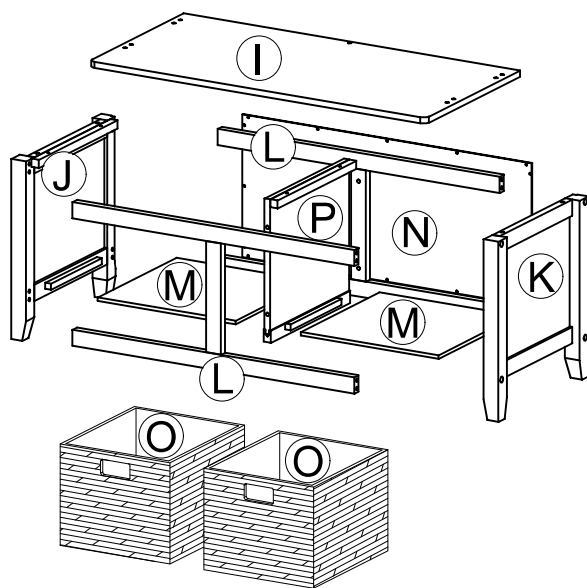
www.boraamindustries.com

. Tools Included

- . Do not throw away packing materials until assembly is complete**
- . Assemble this item on a soft, clean surface to protect the product**
- . Proper assembly requires 2 people**
- . Make sure all parts are included prior to assembly**

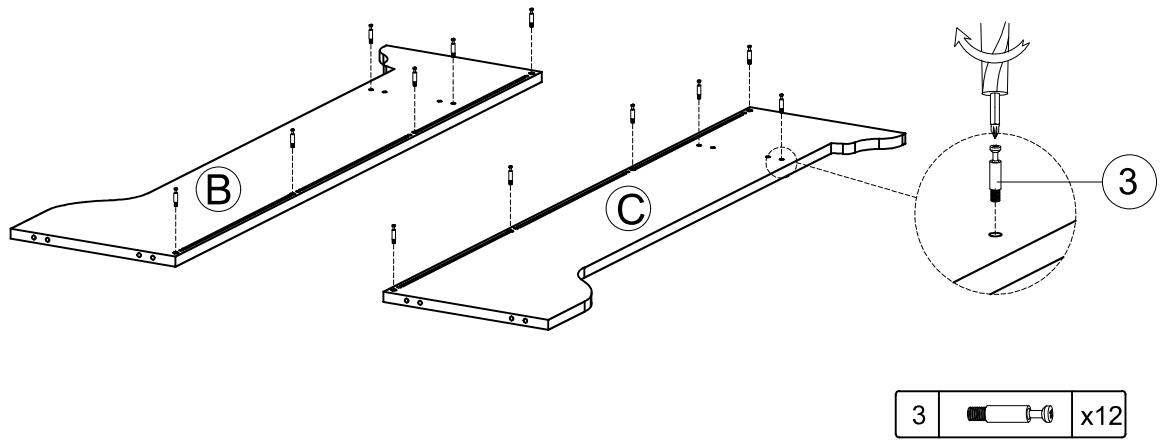
PARTS LIST		
CODE	DESCRIPTION	QTY.
A	TOP PANEL	01
B	LEFT SIDE PANEL	01
C	RIGHT SIDE PANEL	01
D	TOP/ BOTTOM STRETCHER	02
E	MIDDLE STRETCHER 1	01
F	MIDDLE STRETCHER 2	01
G	BACK PANEL 1	03
H	SHELF PANEL	01
I	MIDDLE PANEL	01
J	LEFT SIDE FRAME	01
K	RIGHT SIDE FRAME	01
L	FRONT/BACK FRAME	02
M	BOTTOM PANEL	02
N	BACK PANEL 2	01
O	HYACINTH BASKET	02
P	VERTICAL FRAME	01

HARDWARE LIST			
NO.	DESCRIPTION	SKETCH	QTY
1	JCBC Bolt Ø1/4" x 35mm		10
2	JCBC Bolt Ø1/4" x 55mm		08
3	JOINT PIN		12
4	CAM NUT		12
5	WOODEN DOWEL Ø10 x 30mm		28
6	WOODEN DOWEL Ø8 x 25mm		08
7	HOOK		04
8	SCREW (Ø3 x 15 mm)		08
9	SCREW (Ø4 x 38 mm)		02
10	SCREW (Ø3 x 12 mm)		16
11	SCREW (Ø4x 25mm)		06
12	ALLEN KEY 4mm		01

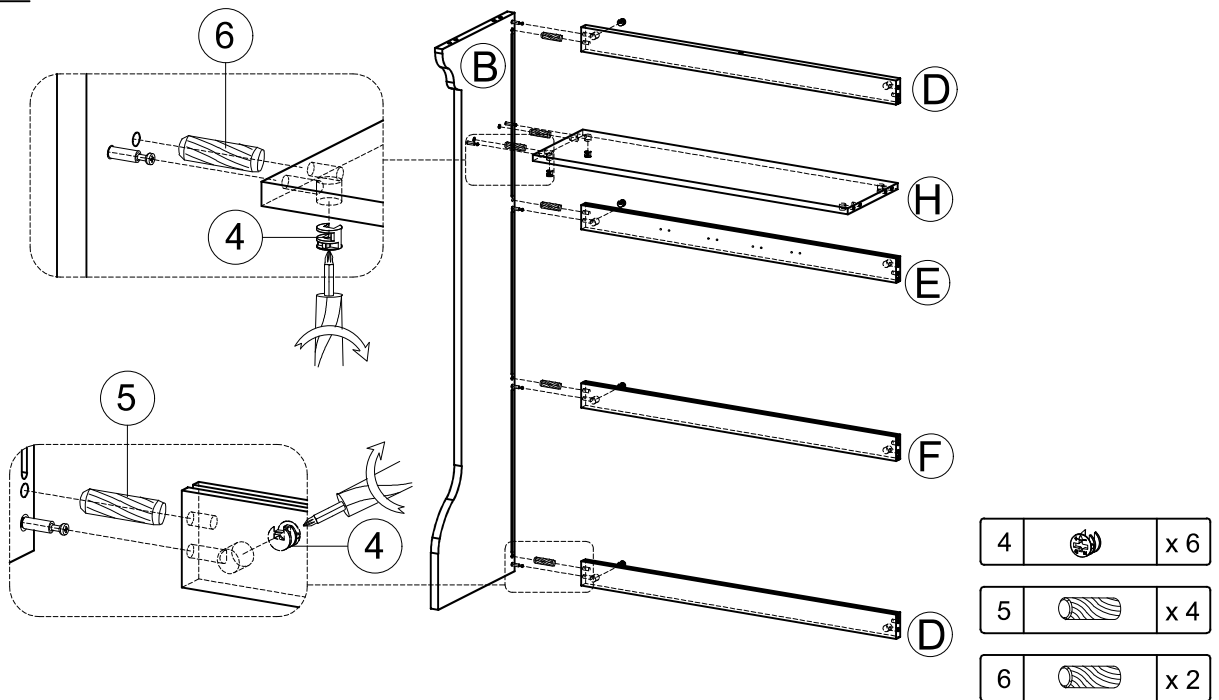


-1-

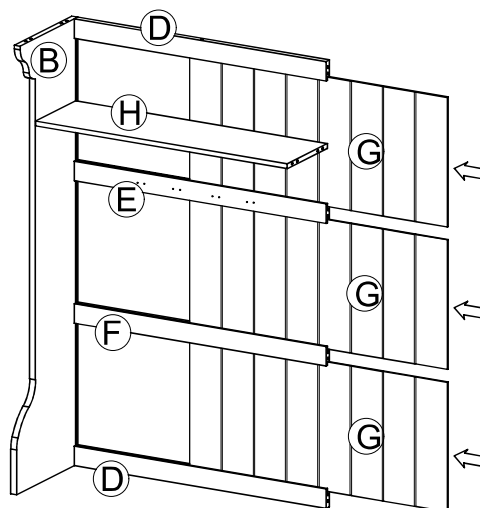
STEP 1:



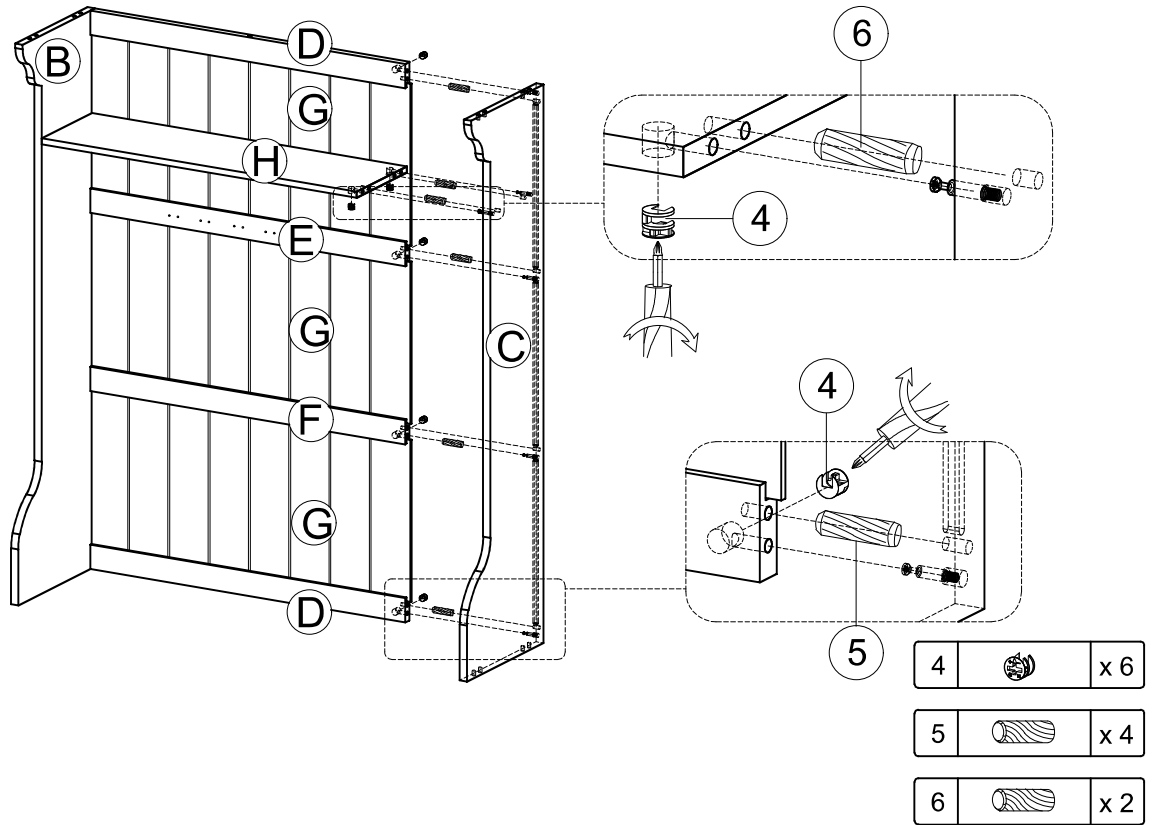
STEP 2:



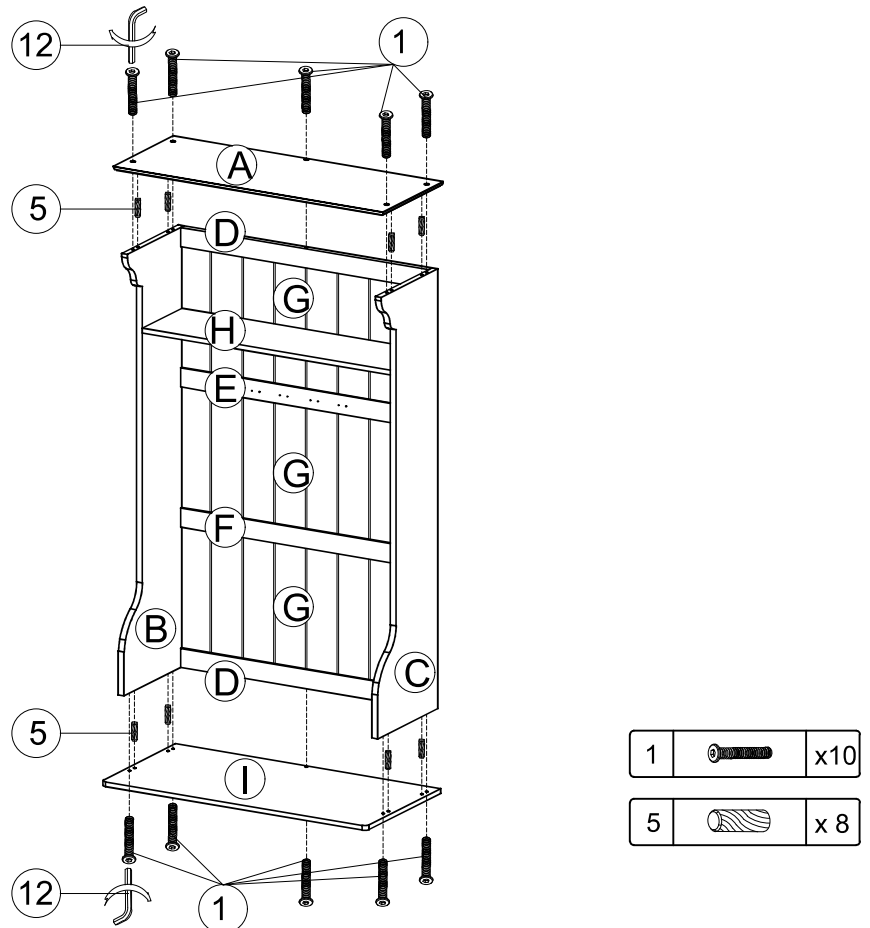
STEP 3:



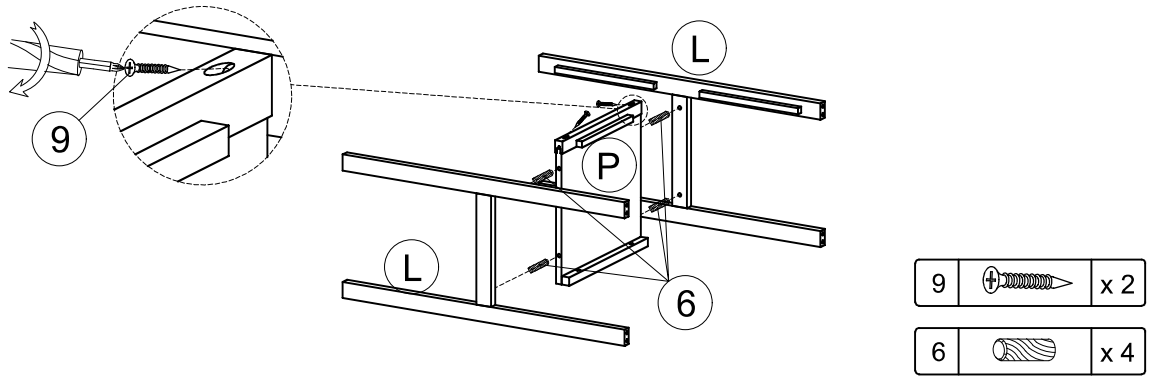
STEP 4:



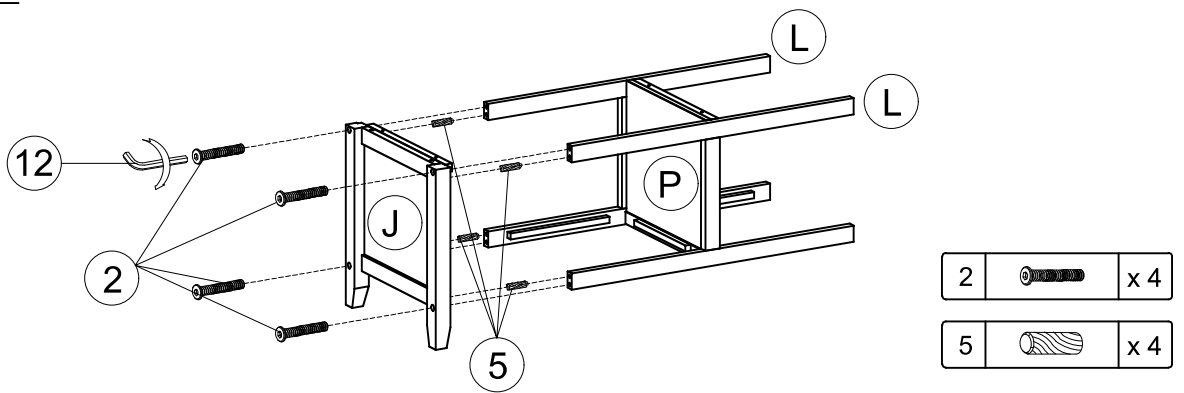
STEP 5:



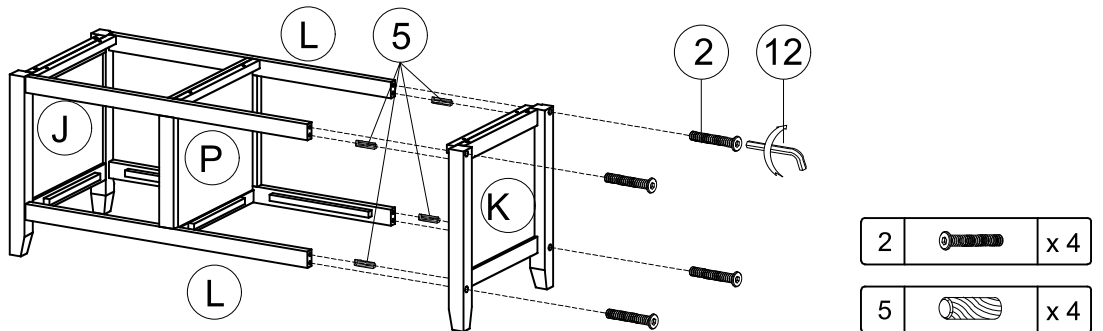
STEP 6:



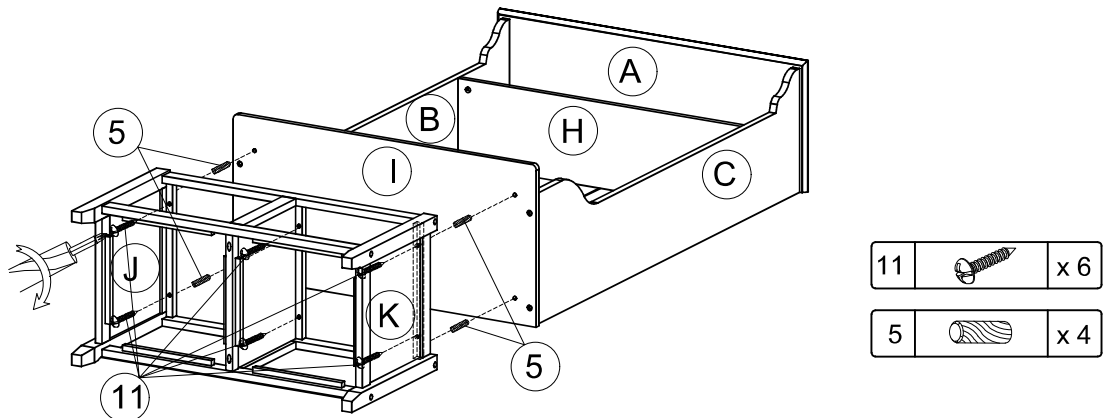
STEP 7:



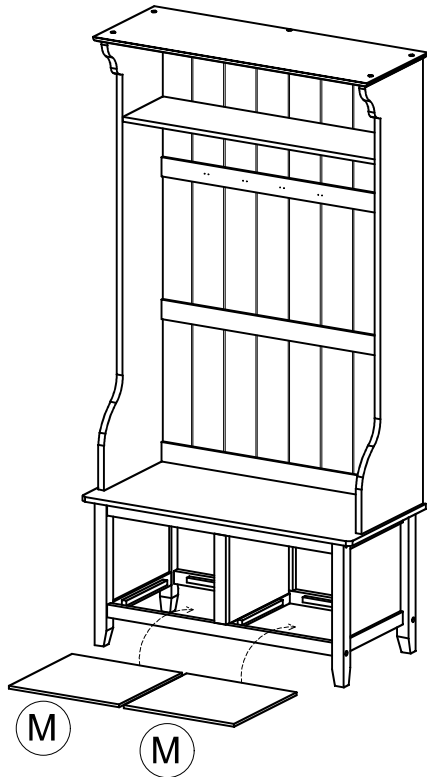
STEP 8:



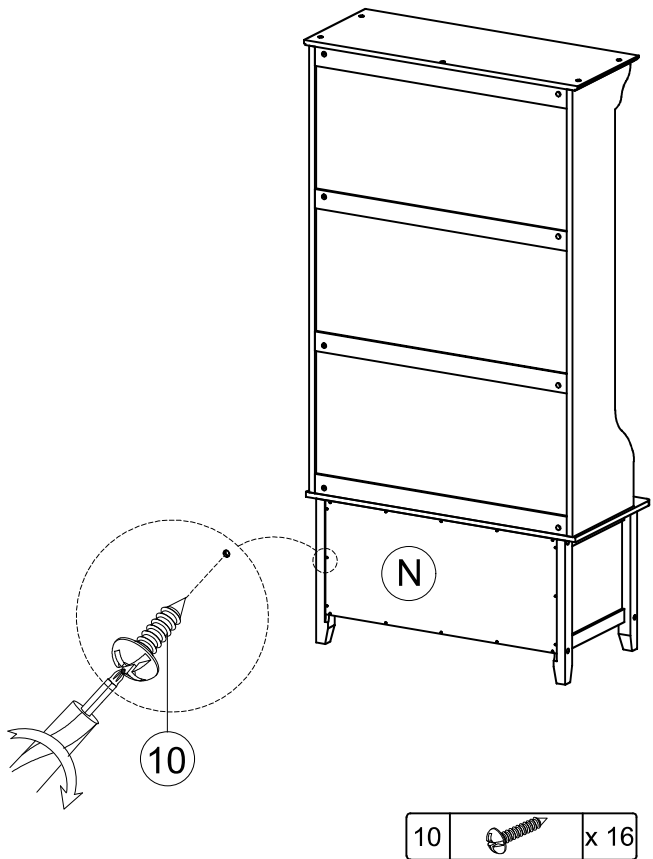
STEP 9:



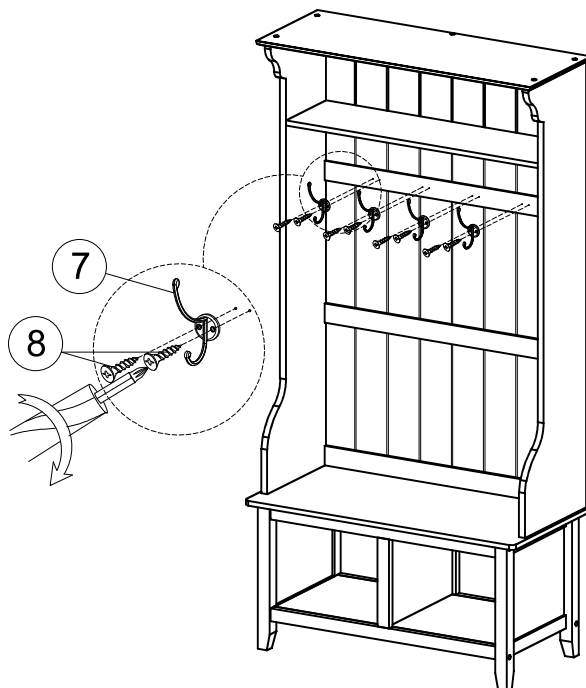
STEP 10:





STEP 11:

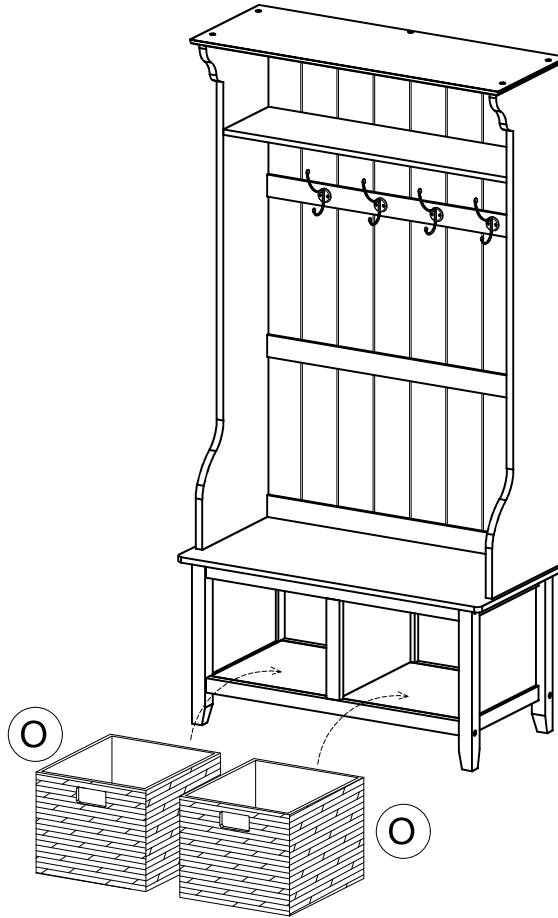


STEP 12:

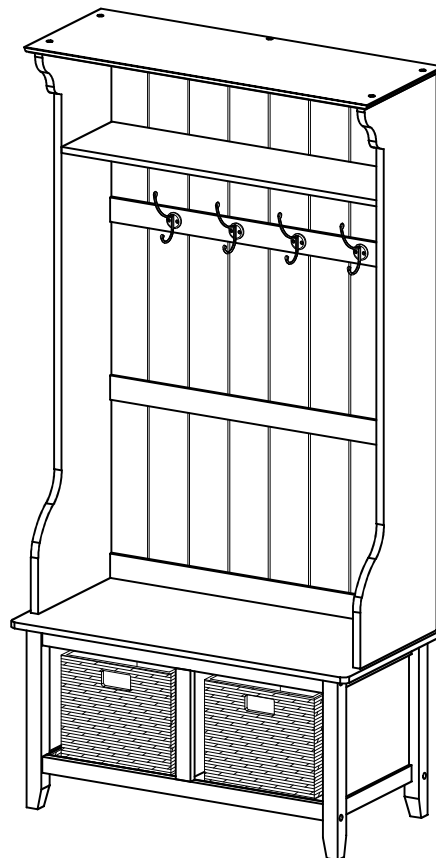


7		x 4
8		x 8

STEP 13:



COMPLETED ASSEMBLY





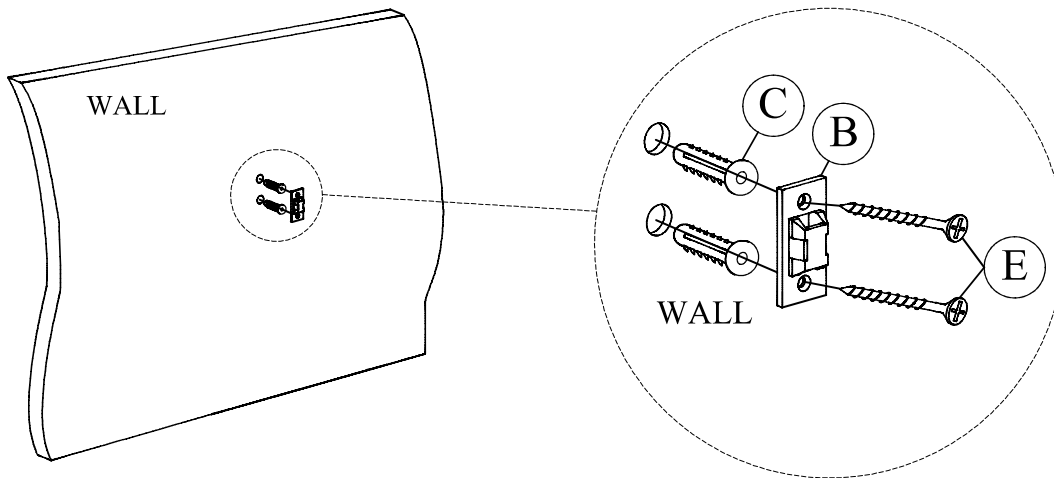
Boraam Industries

Wall Stud

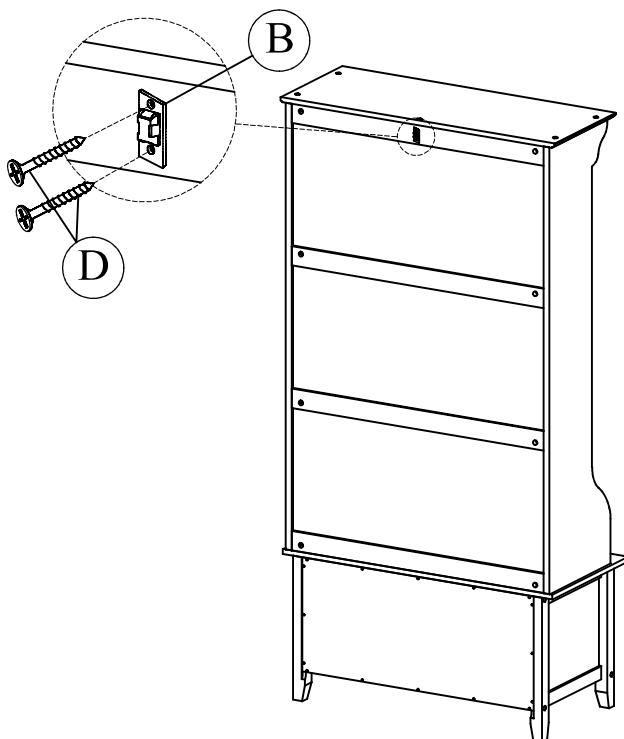
SAFETY BRACKET INSTRUCTIONS

Strap A (1pc)	Mounting Bracket B (2pcs)	Wall Anchor C (2pcs)	Short Screw D (2pcs)	Long Screw E (2pcs)

STEP 1:



STEP 2:



STEP 3:

