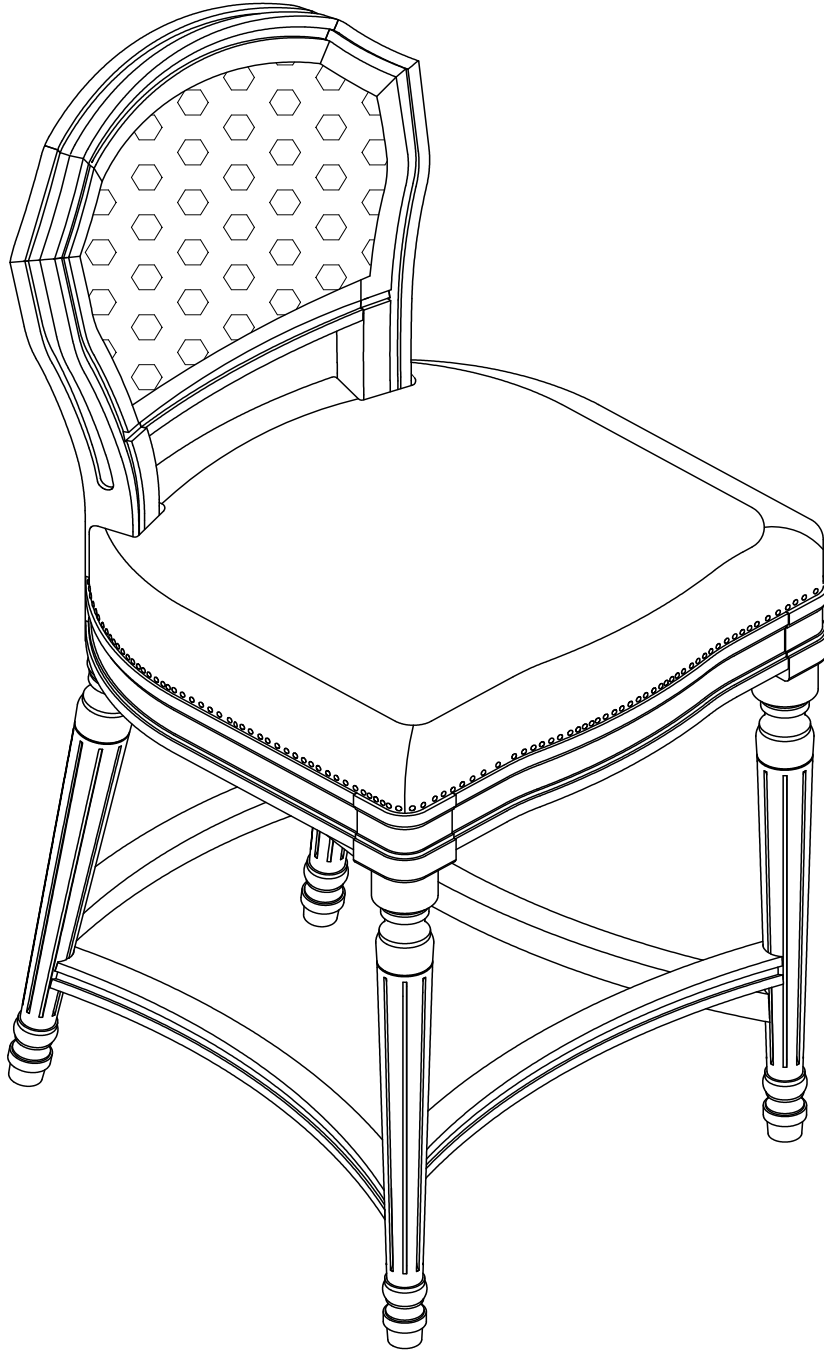




Boraam Industries

WILBRANDT STOOL
ASSEMBLY INSTRUCTIONS





PLEASE READ ME FIRST



- Have questions about assembling your item?



- Item or parts damaged?



- Missing a part?



- We're here to help!



(847)949-6300 (M-F, 9am-5pm CST)



www.boraamindustries.com



customerservice@boraamindustries.com



Phillips Screwdriver
(Not provided)

A



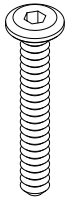
8PCS
M6*10

B



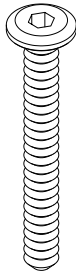
8PCS
M6*16

C



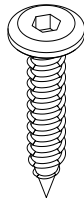
4PCS
M6*50

D



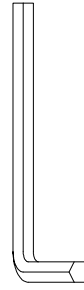
4PCS
M6*65

E



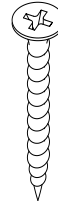
6PCS
M6*30

F



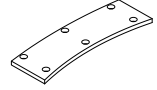
1PCS
M4*100
Allen Wrench

G



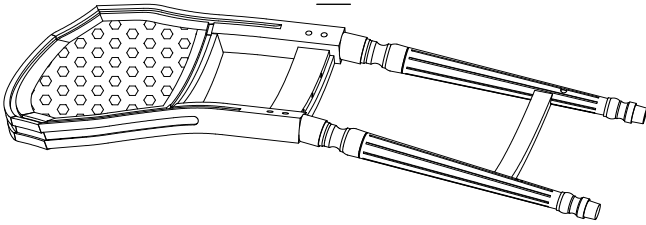
4PCS
M4*50

H

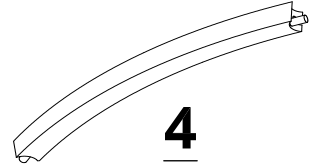


1PC

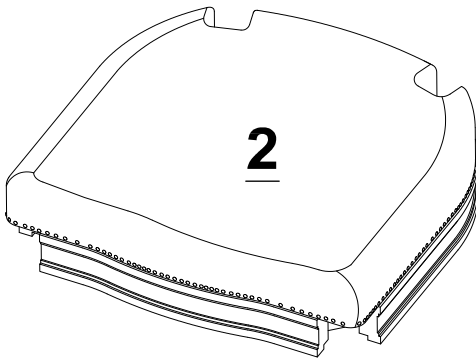
1



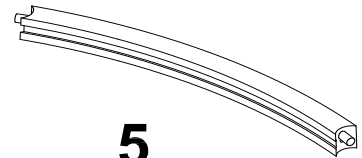
4



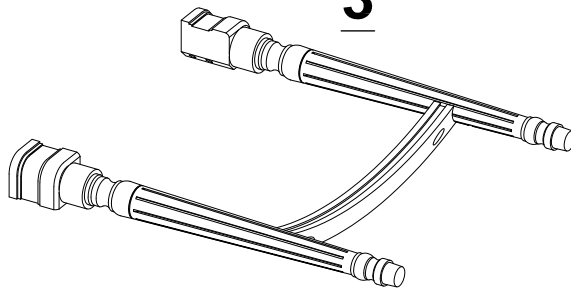
2





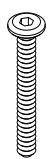
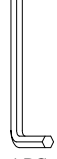
5

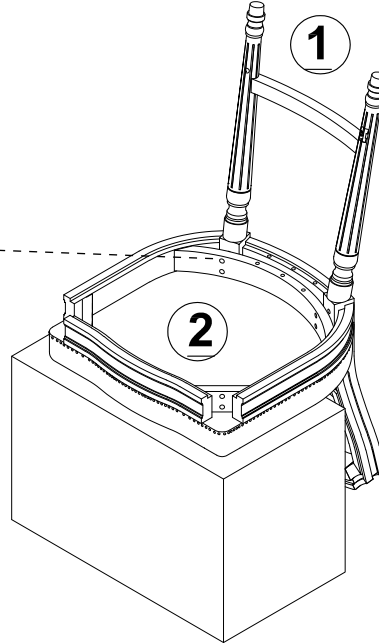
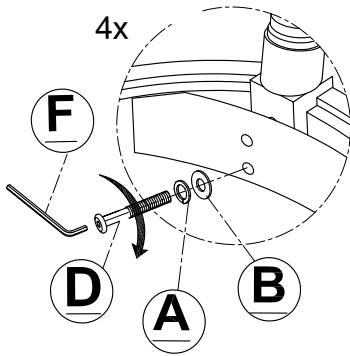


3





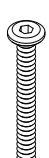
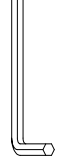
01

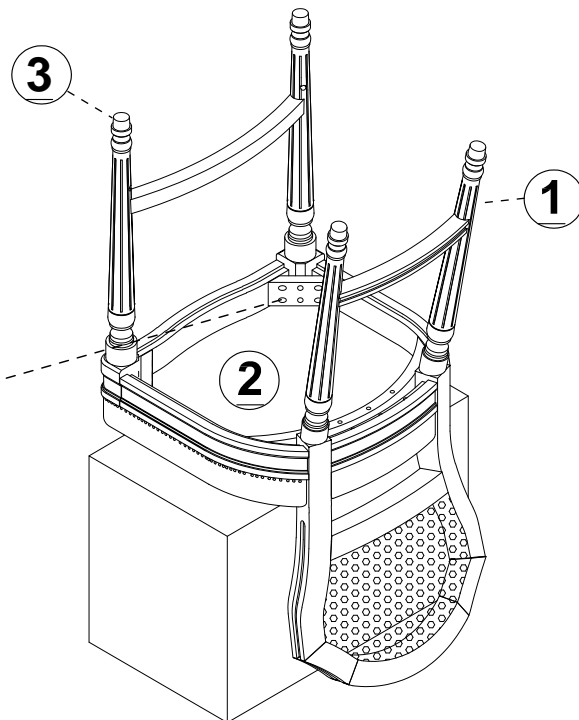
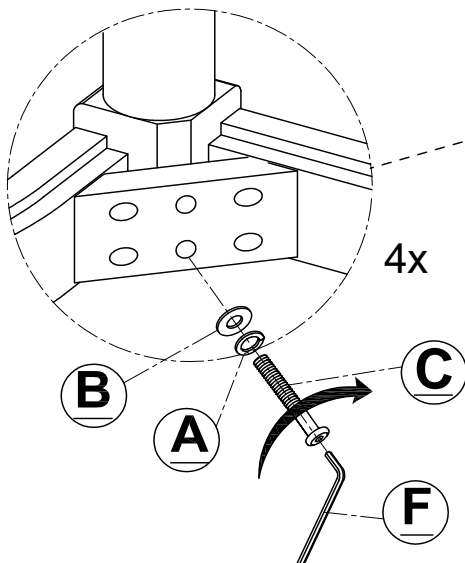
A	B	D	F
			
4PCS M6*10	4PCS M6*16	4PCS M6*65	1 PC M4*100



DO NOT TIGHTEN BOLT COMPLETELY.

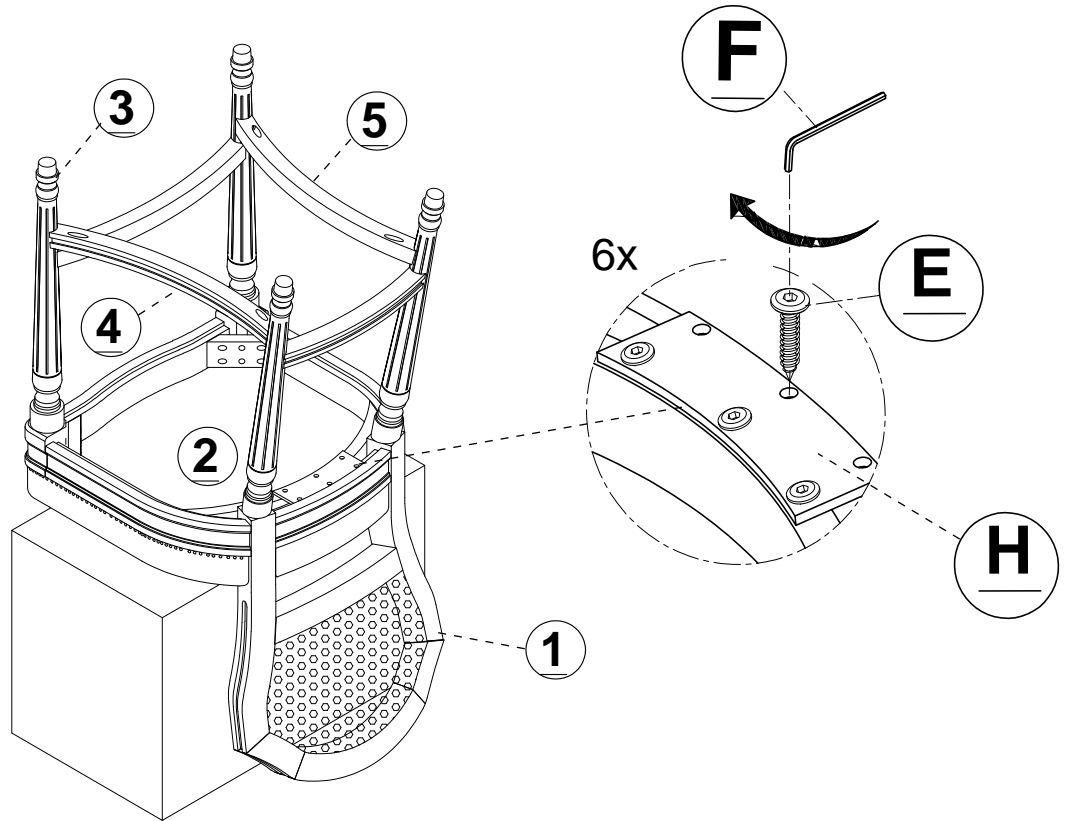
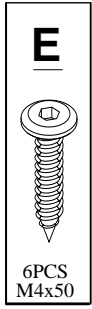
02

A	B	C	F
			
4PCS M6*10	4PCS M6*16	4PCS M6*50	1 PC M4*100



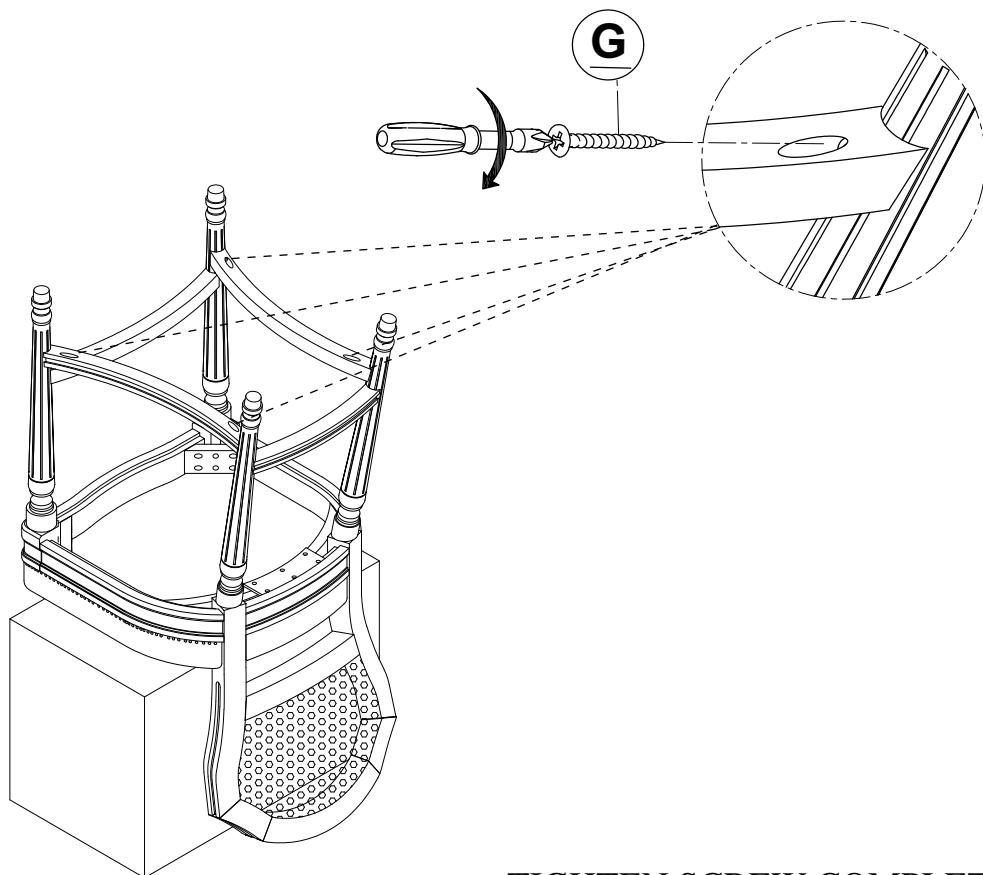
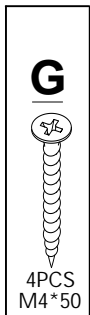
DO NOT TIGHTEN BOLT COMPLETELY.

03

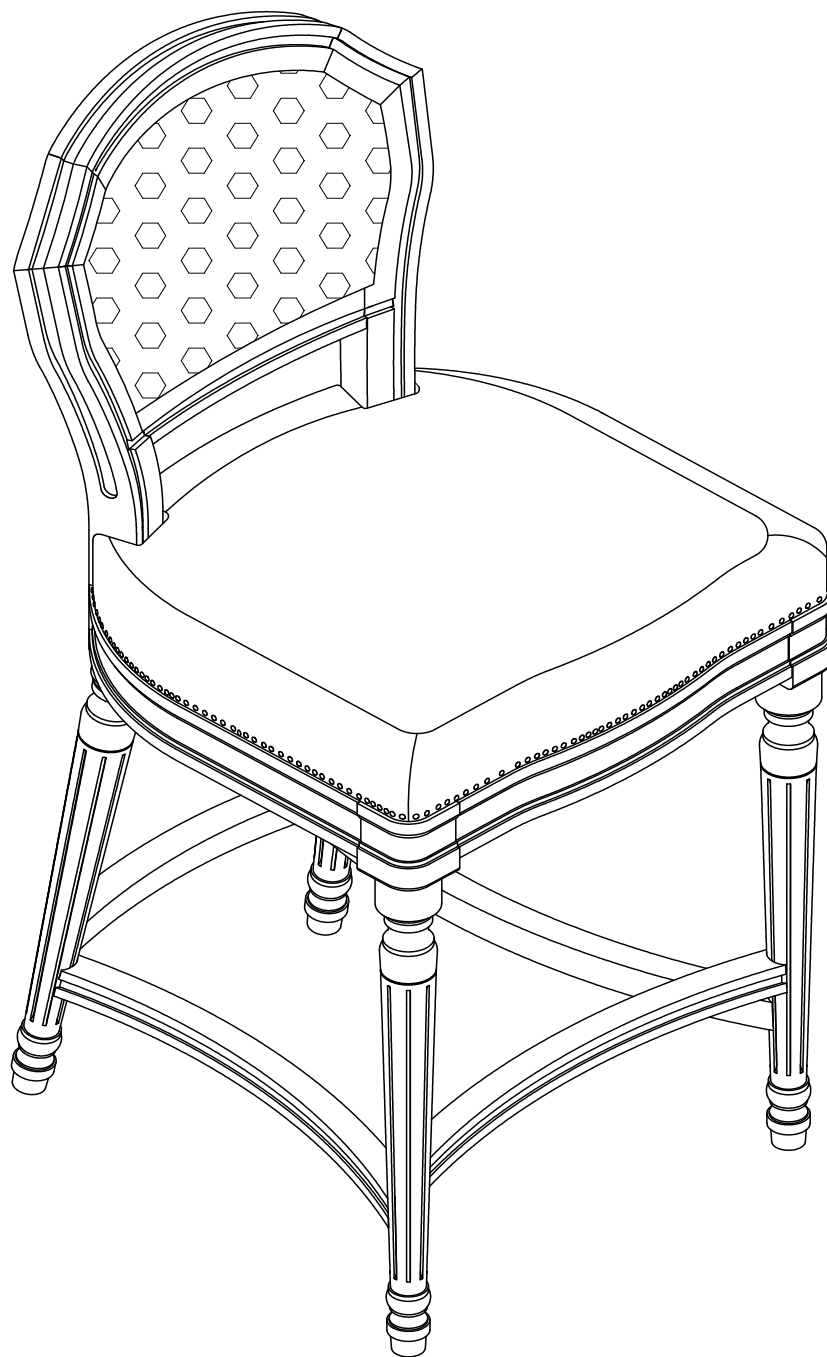


TIGHTEN BOLT COMPLETELY.

04



TIGHTEN SCREW COMPLETELY.



BE SURE TO CHECK ALL BOLTS ARE SECURELY TIGHTENED PRIOR USING THIS STOOL