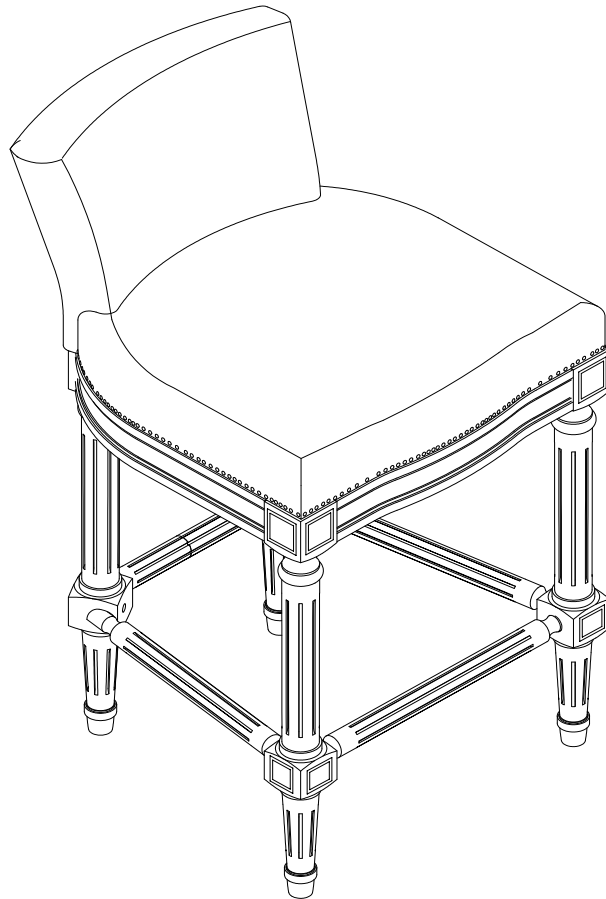




Boraam Industries

ASSEMBLY INSTRUCTIONS

SKU: 18120 | FRANCESCA STOOL



Have questions about assembling your item?



Items or parts damaged?



Missing a part?

We're here to help! (Monday-Friday from 9am-5pm CST)



847-949-6300
877-267-2261



customerservice@
boraamindustries.com



www.boraamindustries.com



Phillips Screwdriver
(Not provided)

A



Spring washer

8 PCS
M6*10

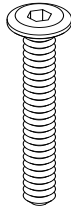
B



Flat washer

8 PCS
M6*16

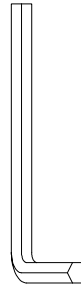
C



Bolt

8 PCS
M6*50

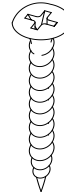
D



Allen Wrench

1 PC
M4*100

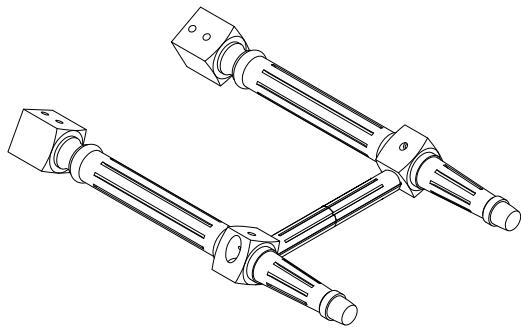
E



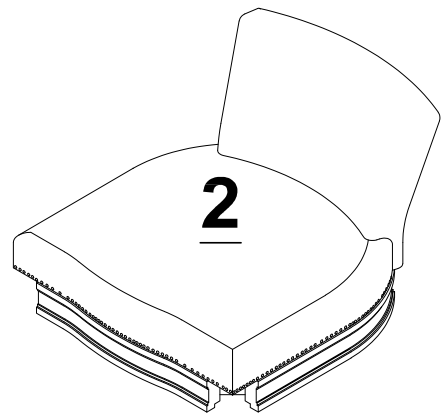
Screw

4 PCS
M4*30

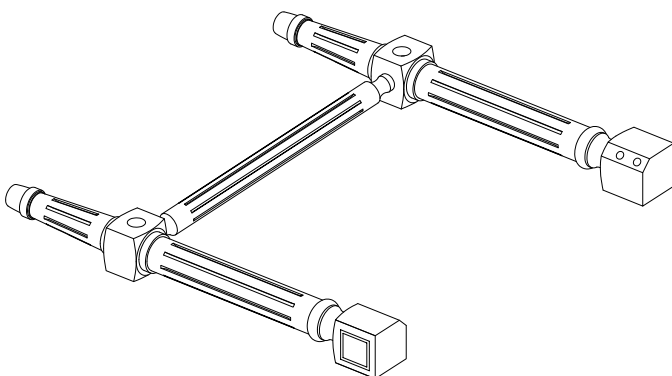
1



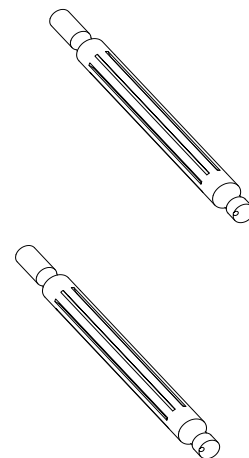
2





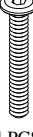

3

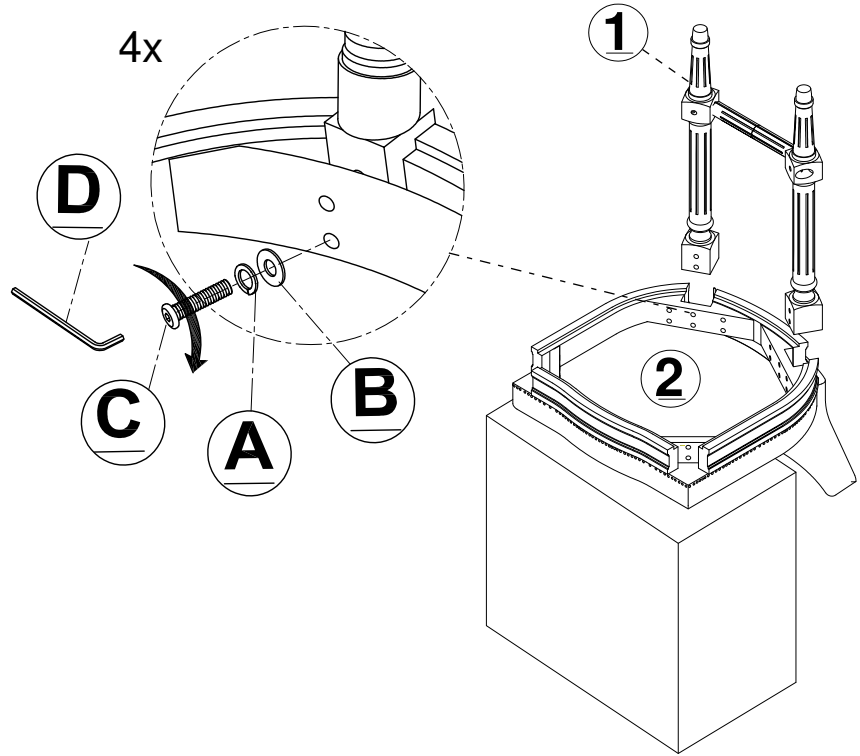


4





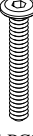
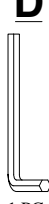
01

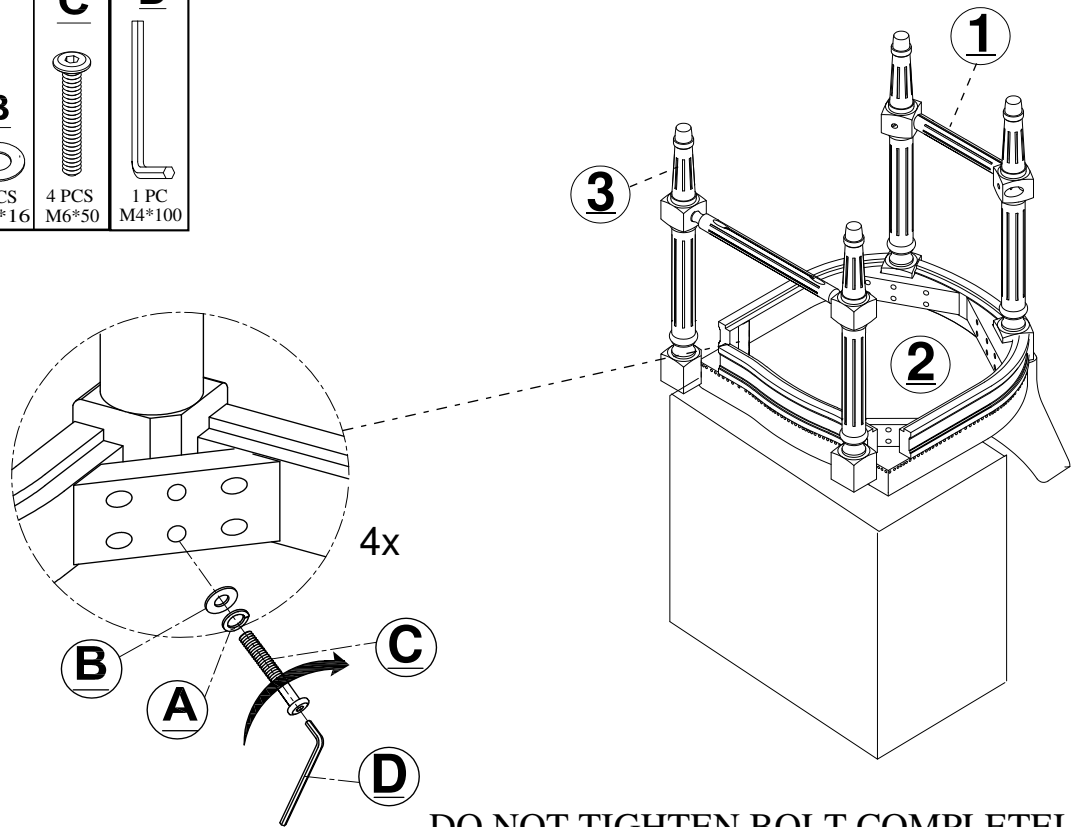
A	B	C	D
			
4 PCS M6*10	4 PCS M6*16	4 PCS M6*50	1 PC M4*100



DO NOT TIGHTEN BOLT COMPLETELY.

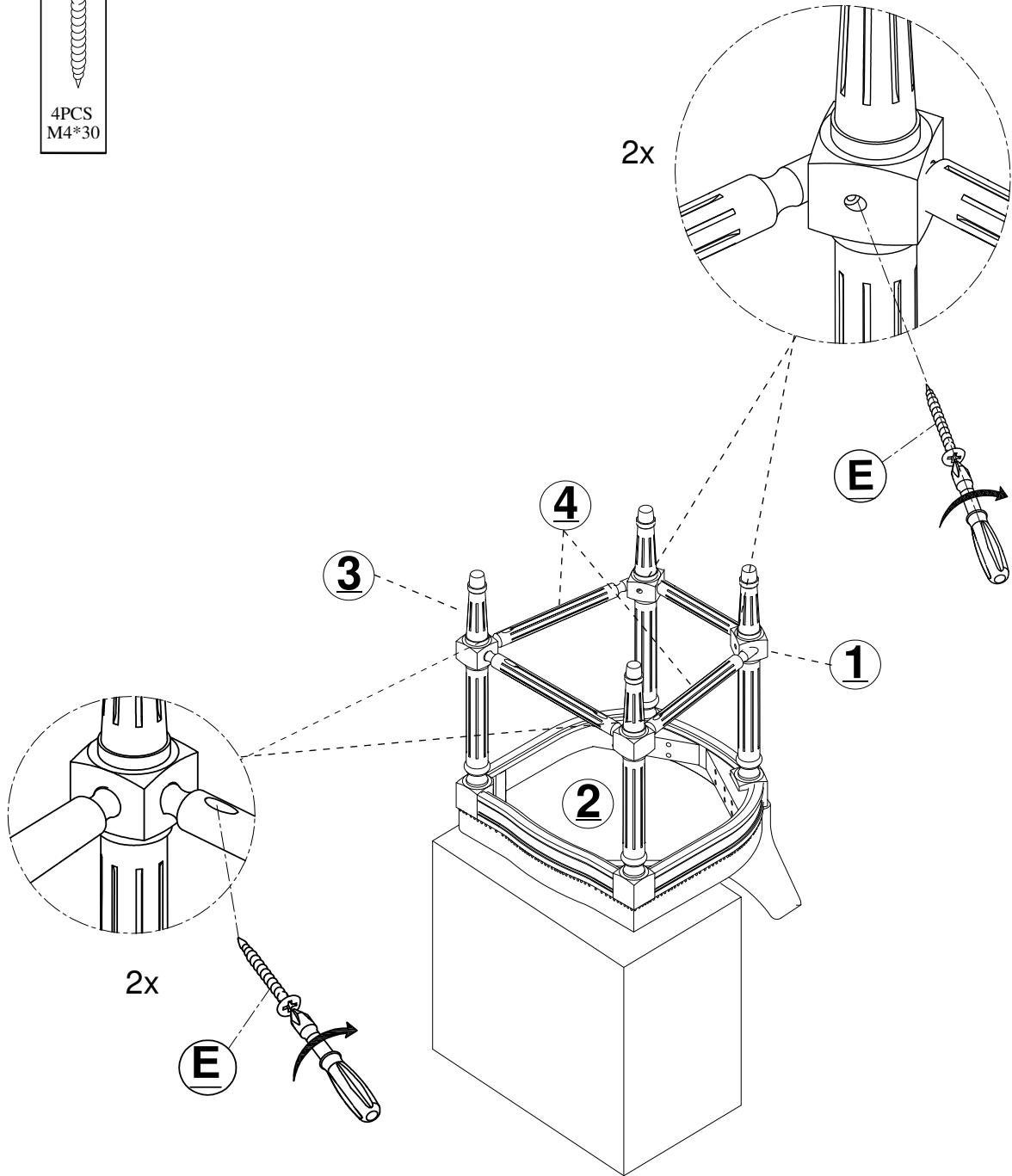
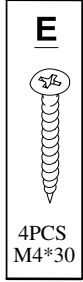
02

A	B	C	D
			
4 PCS M6*10	4 PCS M6*16	4 PCS M6*50	1 PC M4*100



DO NOT TIGHTEN BOLT COMPLETELY.

03



TIGHTEN SCREW COMPLETELY.

BE SURE TO CHECK ALL BOLTS ARE SECURELY TIGHTENED PRIOR USING THIS STOOL

