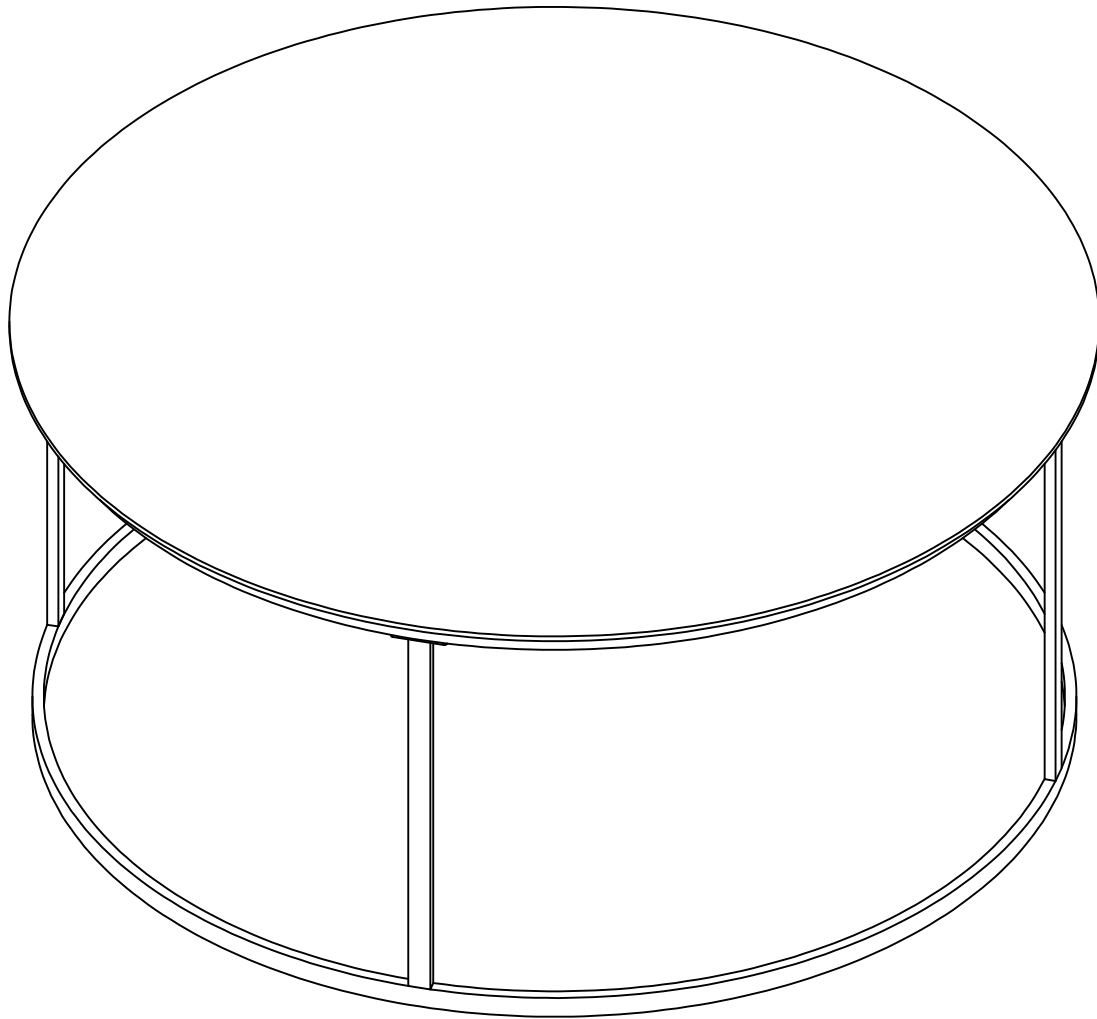




**ROBERTSON ROUND COFFEE TABLE**  
ASSEMBLY INSTRUCTIONS  
**18107**





PLEASE READ ME FIRST



- Have questions about assembling your item?



- Item or parts damaged?



- Missing a part?



- We're here to help!



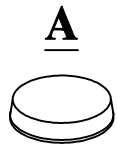
(847)949-6300 (M-F, 9am-5pm CST)



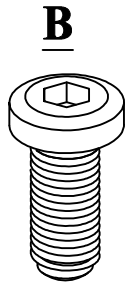
[www.burnhamhomedesign.com](http://www.burnhamhomedesign.com)



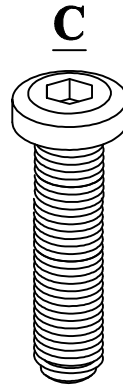
[customerservice@burnhamhomedesign.com](mailto:customerservice@burnhamhomedesign.com)



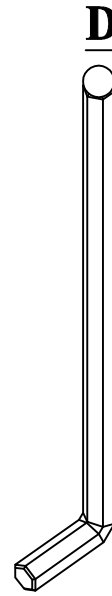
**4 PCS**



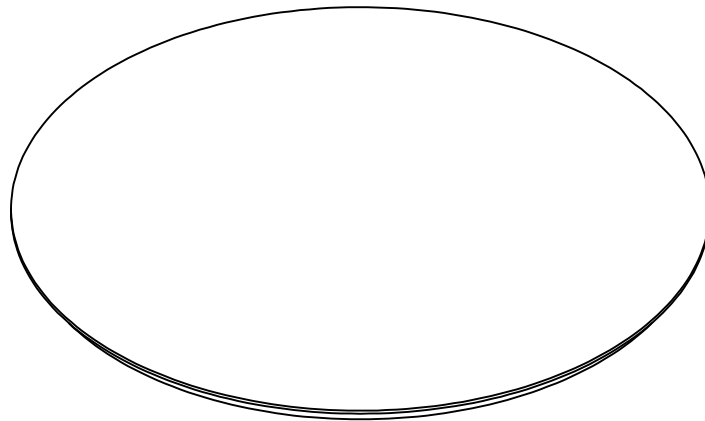
**M6\*16**  
**8 PCS**



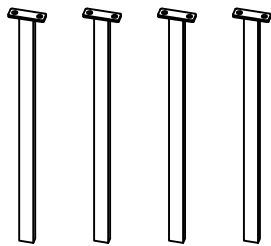
**M6\*35**  
**4 PCS**



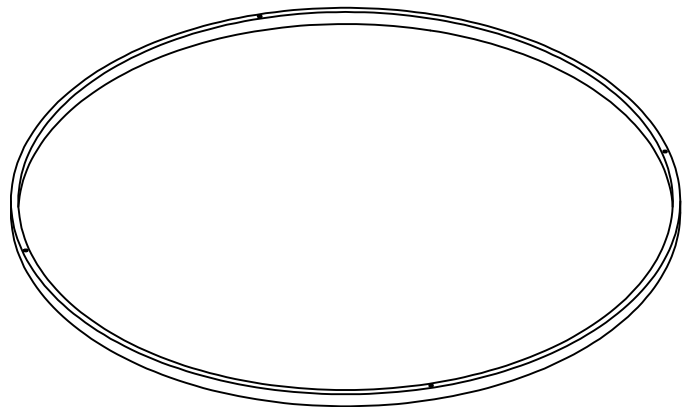
**1 PC**



**1**

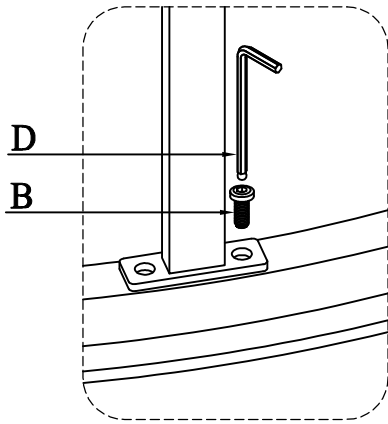
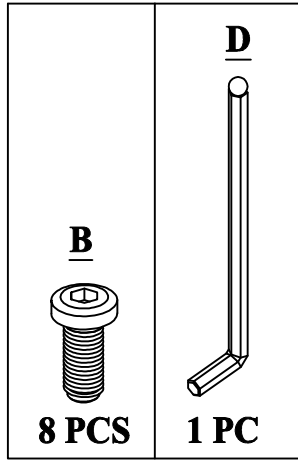


**2**

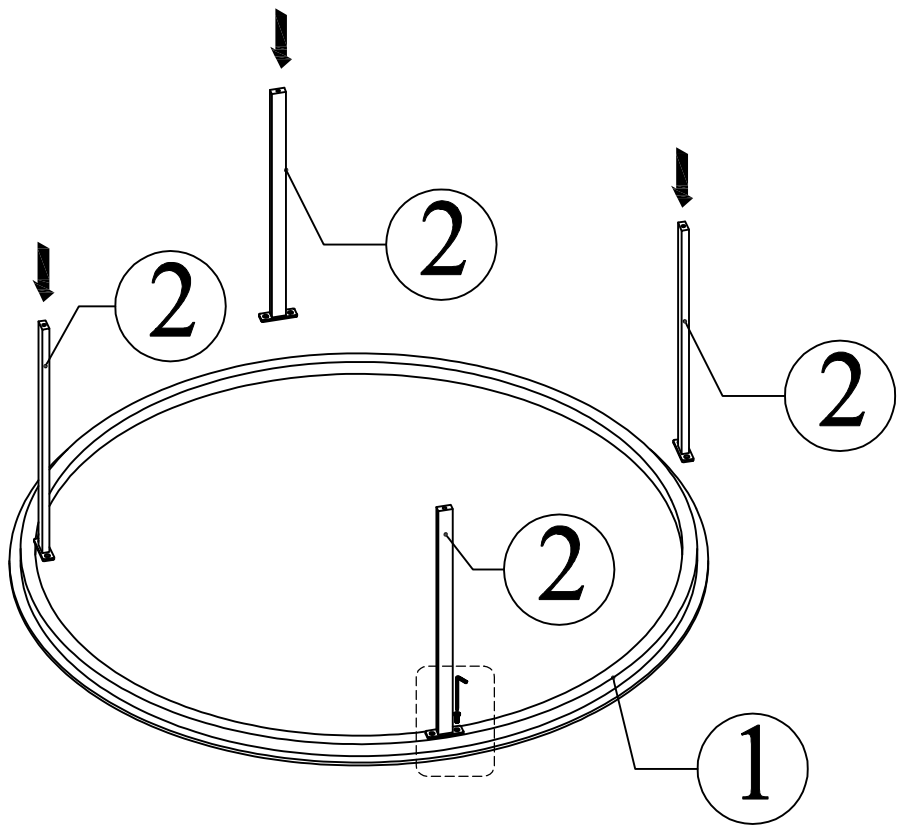


**3**

# 01

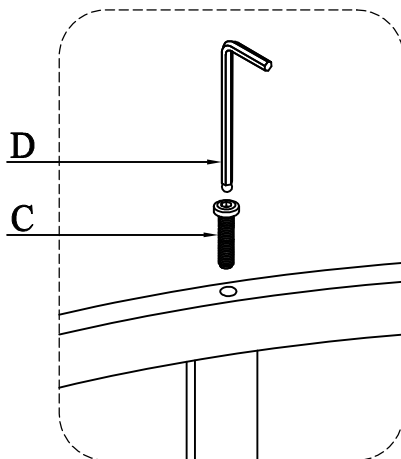
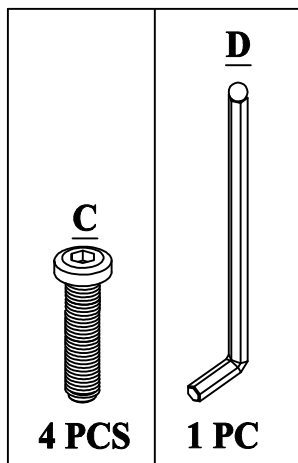


8X

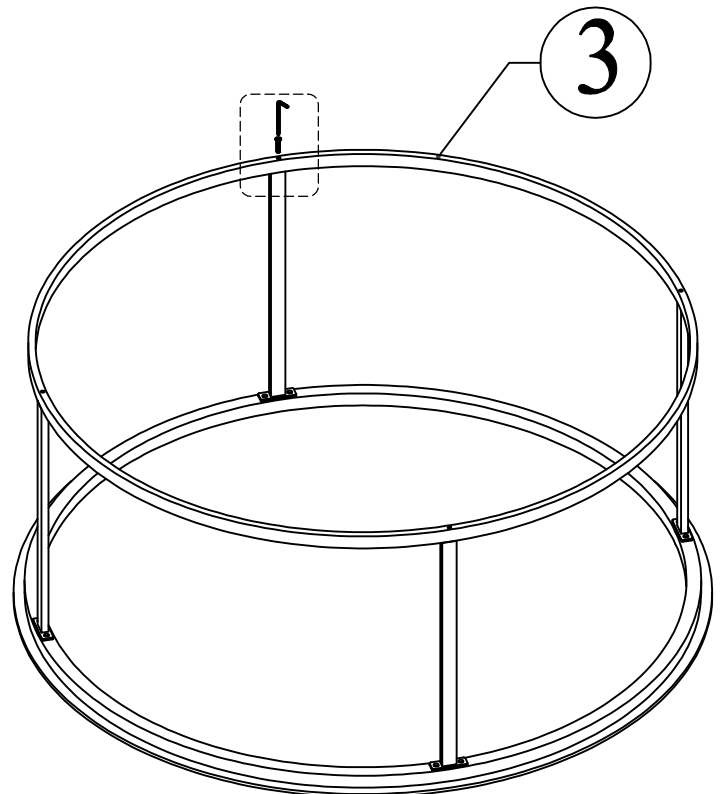


TIGHTEN BOLT COMPLETELY.

# 02

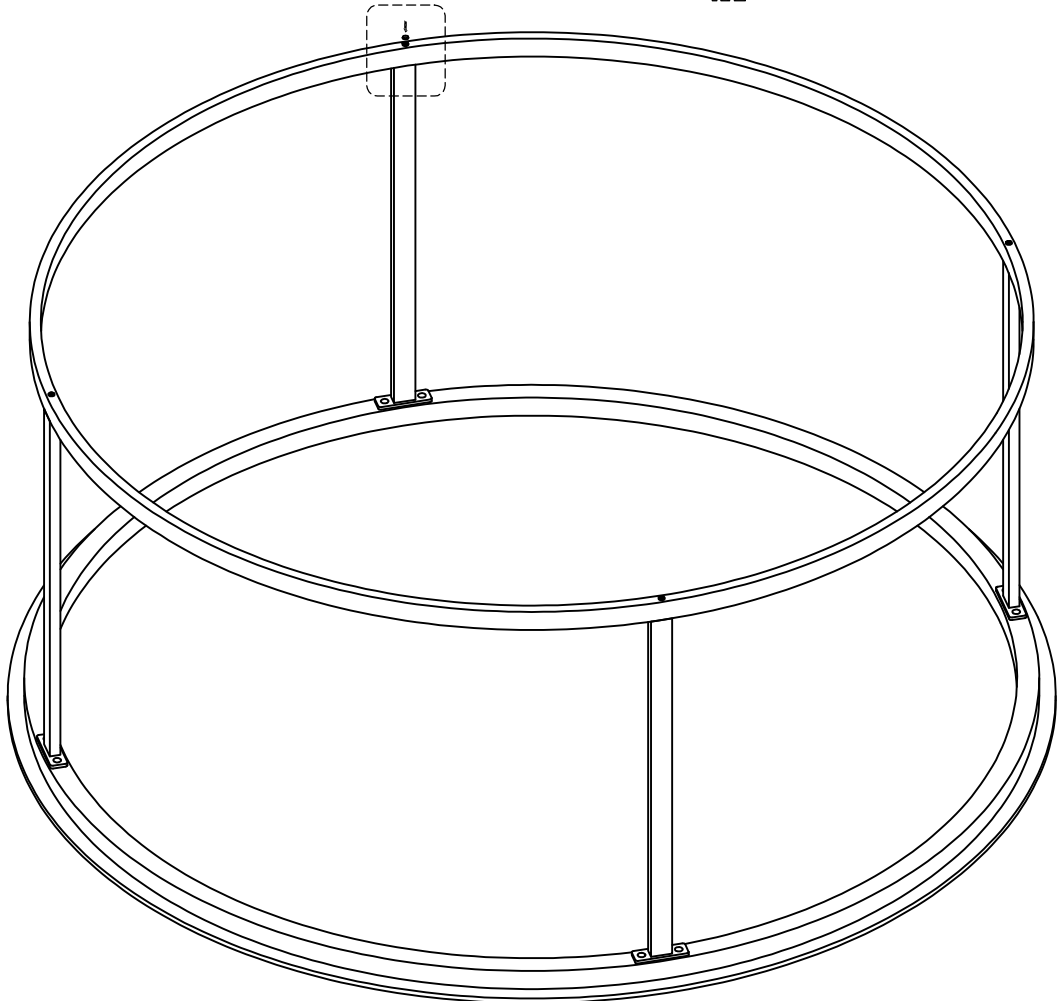
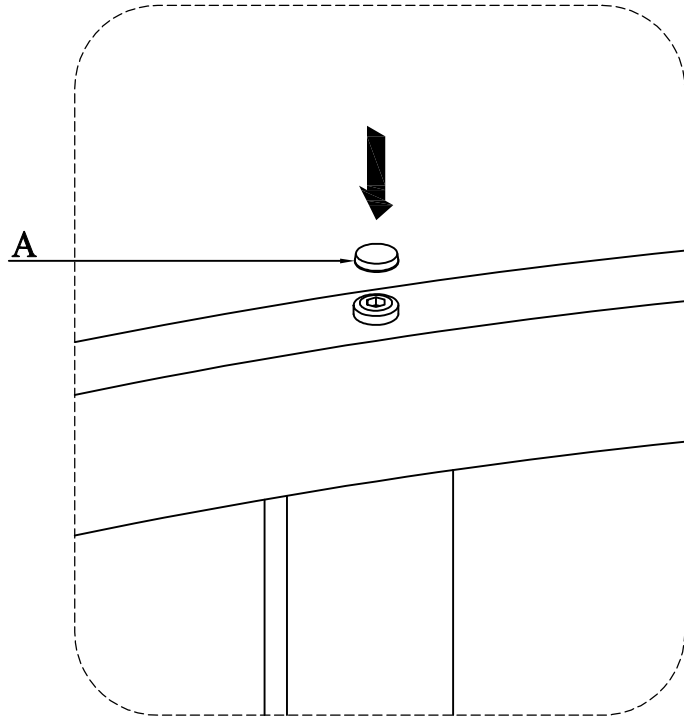
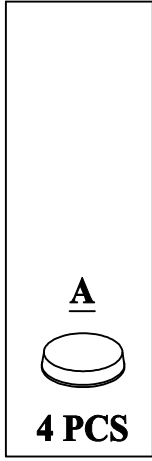


4X

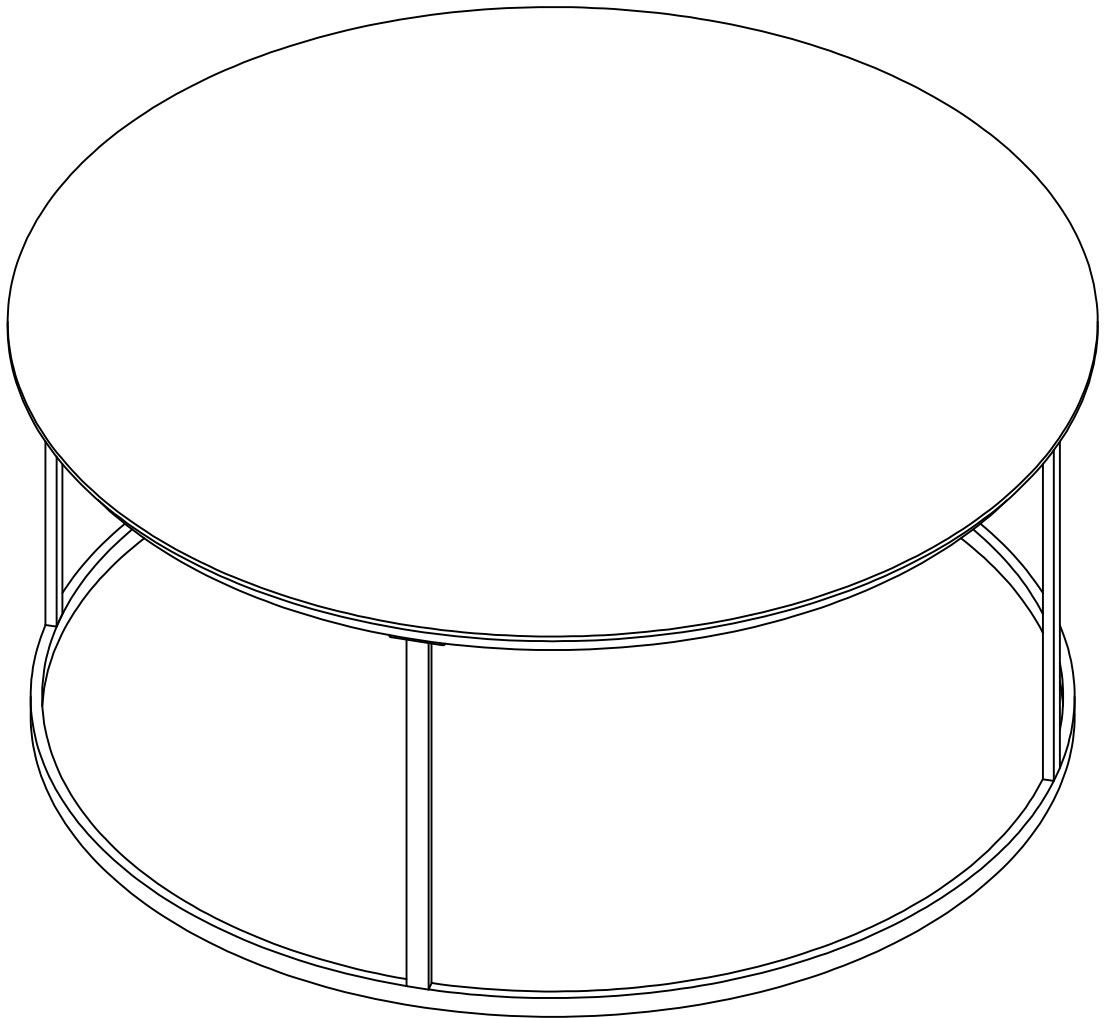


TIGHTEN BOLT COMPLETELY.

**03**



**TIGHTEN BOLT COMPLETELY.**



**BE SURE TO CHECK ALL BOLTS ARE SECURELY  
TIGHTENED PRIOR USING THIS TABLE**