



701 E Industrial PK Dr  
Manchester NH 03109  
877-364-8464

\*\*Pls Check to make sure you have all parts otherwise contact local retailer or Sunset Trading customer service at 877-364-8464\*\*

Thank You for purchasing this Quality product. It has been engineered for easy assembly yet constructed for durability. Please take the time to read and follow the instruction while assembling.

# ASSEMBLY INSTRUCTION

## Drop Leaf Dining Table

32" x 32" x 48"L x (2- 8" Drop Leaf ) x 30"H

Model : TLD-3248 (DSD-0911)

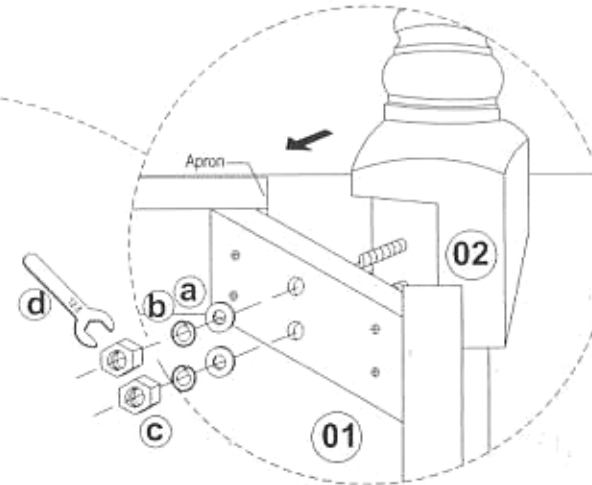
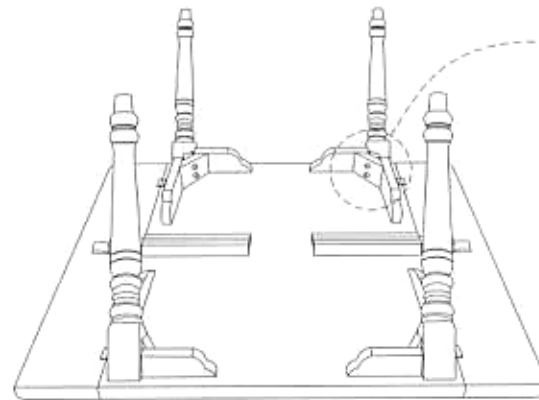
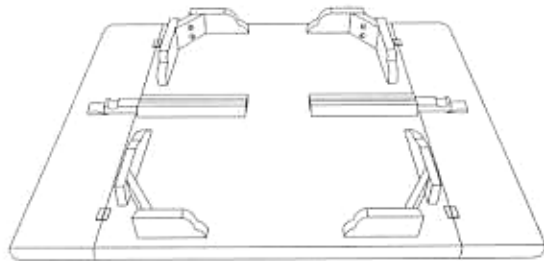
Sunset Trading®

a div of Sunset Furniture Intl.LLC

**2** Fix the turned Leg to the corner of the apron with the Flat Washer, Spring Washer And Hex Nut using the Spanner to tighten it.

**3** Repeat the same step for the other three Legs .

**1** Turn the under side of the Table Top over and place it on a clean and smooth surface such as rug or carpet to avoid the Table Top from being scratched .



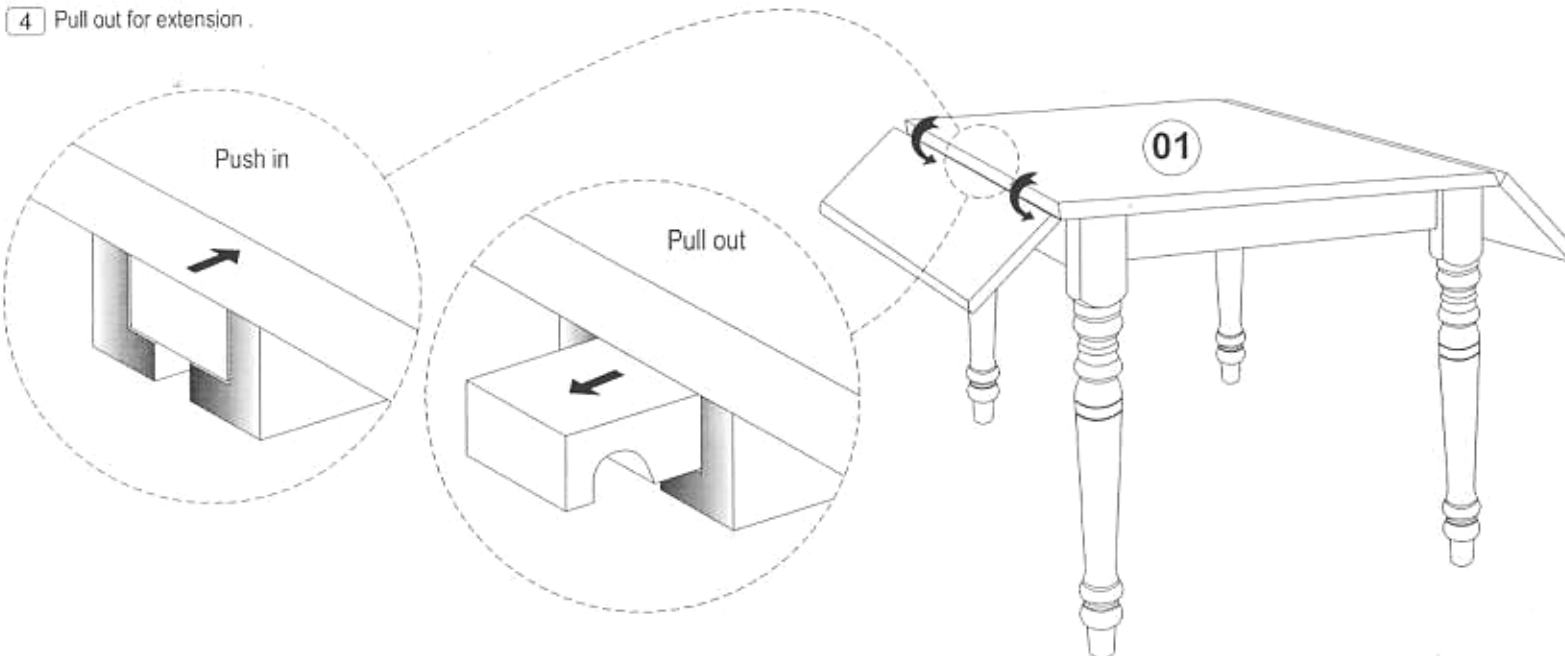
List of Part For 1 Set

|    |  |           |   |
|----|--|-----------|---|
| 01 |  | Table Top | 1 |
| 02 |  | Table Leg | 4 |

List of hardware For 1 Set

|   |  |               |   |
|---|--|---------------|---|
| a |  | Flat Washer   | 8 |
| b |  | Spring Washer | 8 |
| c |  | Hex.Com.Bolt  | 8 |
| d |  | Spanner       | 1 |

**4** Pull out for extension .



- ! Important Notes**
- Keep all hardware parts out of reach of children.
  - Must tighten screws periodically. With use screws will become loose. Check tightness of all screws every 6-8 weeks.
  - Don't attempt to repair or modify parts that are broken or defective. Please contact the store immediately.
  - Do not tighten all screw / bolt until all completely assembled



Assembly Complete!

MADE IN MALAYSIA