



701 E Industrial PK Dr  
Manchester NH 03109  
877-364-8464  
www.sunsettrading.com  
info@sunsettrading.com

Sunset Trading®

a div of Sunset Furniture Intl.LLC

\*\*Pls Check to make sure you have all parts otherwise contact local retailer or Sunset Trading customer service at 877-364-8464"

Thank You for purchasing this Quality product. It has been engineered for easy assembly yet constructed for durability. Please take the time to read and follow the instruction while assembling.

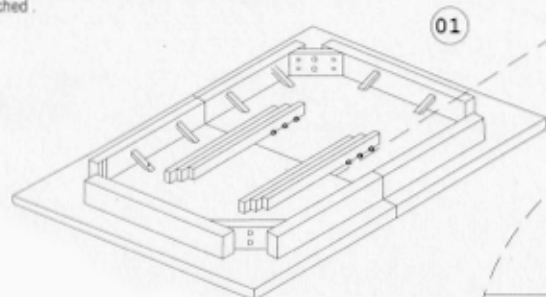
# ASSEMBLY INSTRUCTION

BROOK TABLE

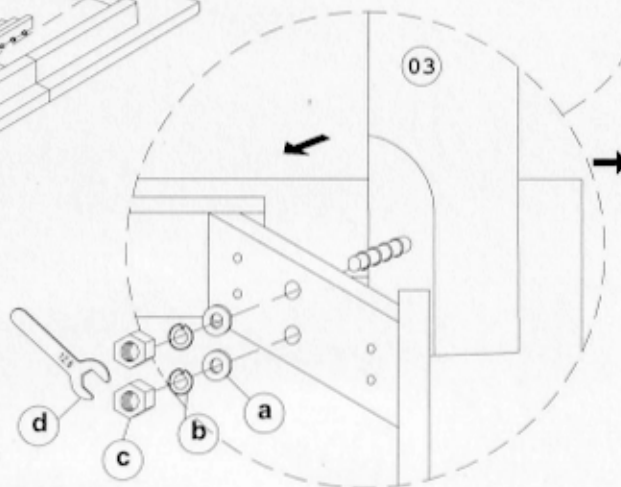
42" x 60" x 72" x 30"H

Model : DLU-BR-TL-4272 (DSE-1321)

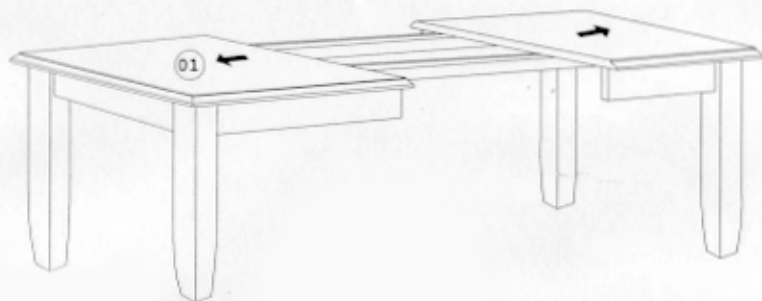
1 Turn the under side of the Table Top over and place it on a clean and smooth surface such as rug or carpet to avoid the Table Top from being scratched.



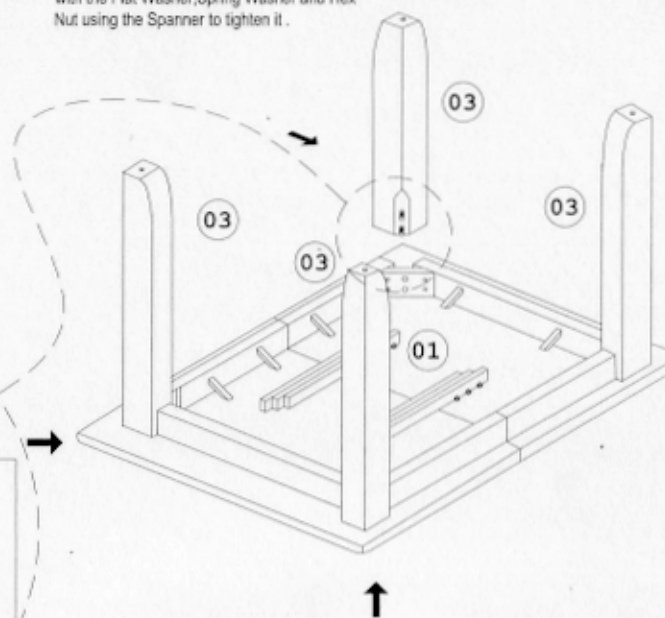
Unlock the Cam Lock under the table before Center Leaf assembled then lock it.



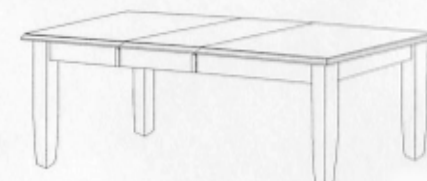
3 Turn the assembled Table over carefully, pull the Table Top to bolt two sides then lift up the Center Leaf from the compartment and turn the Center Leaf to open to lie on apron.



2 Fix the turned Leg to the corner of the Apron with the Flat Washer, Spring Washer and Hex Nut using the Spanner to tighten it.



4 Push the side Center Top at bolt end close to the Table Leaf until it leaves no empty spaces.



Assembly Completed !!

## List of Part

01		Table Top	1
02		Center Leaf	1
03		Table Leg	4

## List of hardware

a		Flat Washer 5/16" x 22mm	8
b		Spring Washer 5/16"	8
c		Hexagon Nut 5/16" x 7mm	8
d		Spanner 12.8mm	1

## Important Notes

- \* Keep all hardware parts out of reach of children.
- \* Must tighten screws periodically. With use screws will become loose. Check tightness of all screws every 6-8 weeks.
- \* Don't attempt to repair or modify parts that are broken or defective. Please contact the store immediately.
- \* Do not tighten all screw / bolt until all completely assembled

MADE IN MALAYSIA