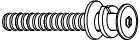




# ASSEMBLY INSTRUCTIONS

## MODEL : WESLEY DINING CHAIR

**IMPORTANT NOTE :**

- \* PLACE ALL WOODEN PARTS ON A CLEAN AND SMOOTH SURFACE SUCH AS A RUG OR CARPET TO AVOID THE PARTS FROM BEING SCRATCHED.
- \* PLEASE FOLLOW ASSEMBLY INSTRUCTIONS STEP BY STEP.
- \* DO NOT FULLY TIGHTEN ALL SCREWS UNTIL THE CHAIR PARTS HAVE BEEN ASSEMBLED.

HARDWARE LIST		PART LIST		
A	JCBC M6 x 50mm + S/W M6 + F/W M6 x 19mm 	4PCS	1 FRONT LEG	2PCS
			2 BACK LEG	2PCS
			3 CUSHION SEAT	1PC
B	JCBC M6 x 40mm + S/W M6 + F/W M6 x 19mm 	4PCS		
C	ALLEN KEY M4 	1PC		

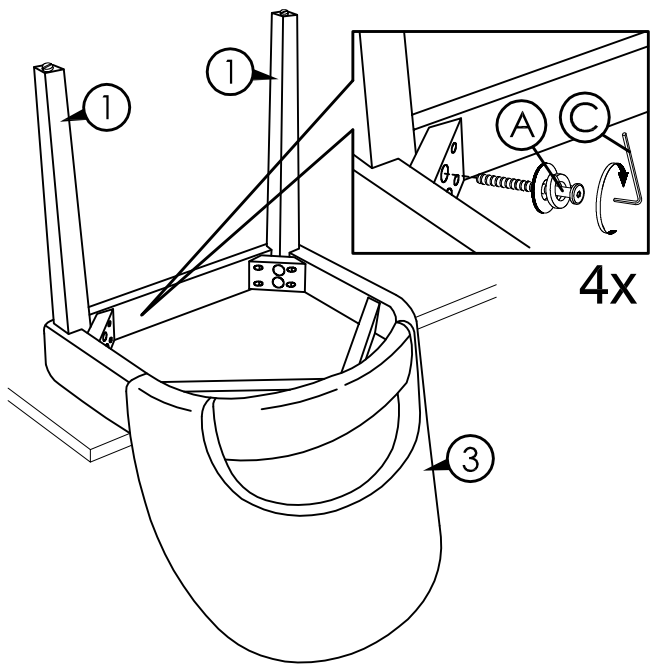
**PLEASE NOTE :**

(1) DO NOT FULLY-TIGHTEN THE NUTS AND BOLTS UNTIL ALL PARTS HAVE BEEN ASSEMBLED.

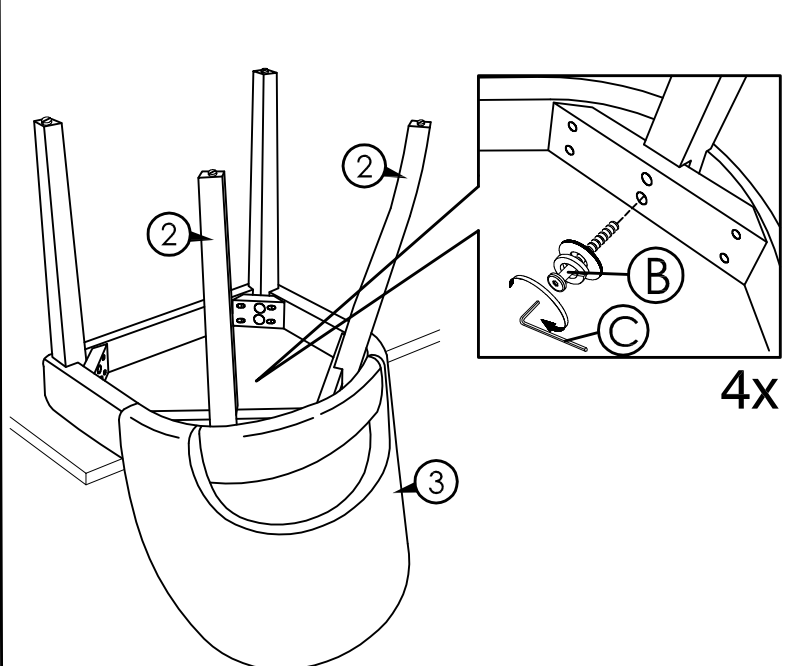
(TO AVOID CAUSING DAMAGE TO THE THREADS, DO NOT OVER-TIGHTEN THE NUTS AND BOLTS.)

(2) KEEP ALL PARTS OUT OF THE REACH OF CHILDREN.

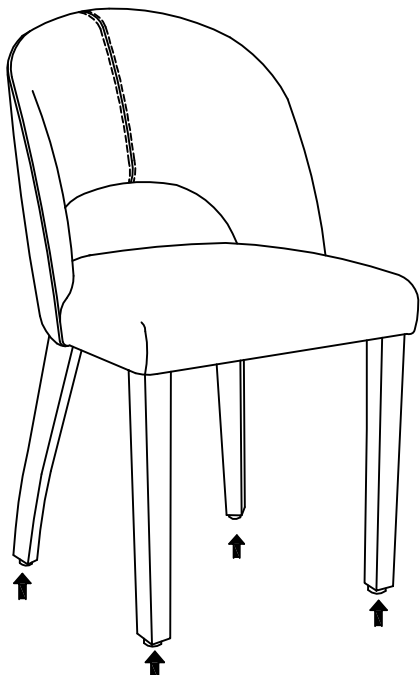
### STEP 1



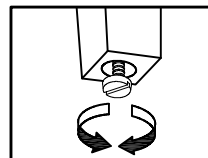
### STEP 2



### STEP 3



Turn clockwise or anti-clockwise to adjust leg leveller.



COMPLETED CHAIR ASSEMBLY.