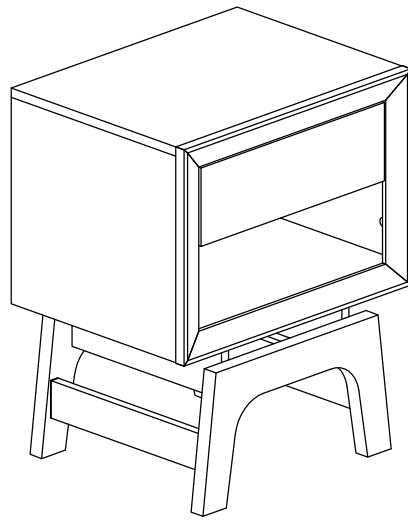
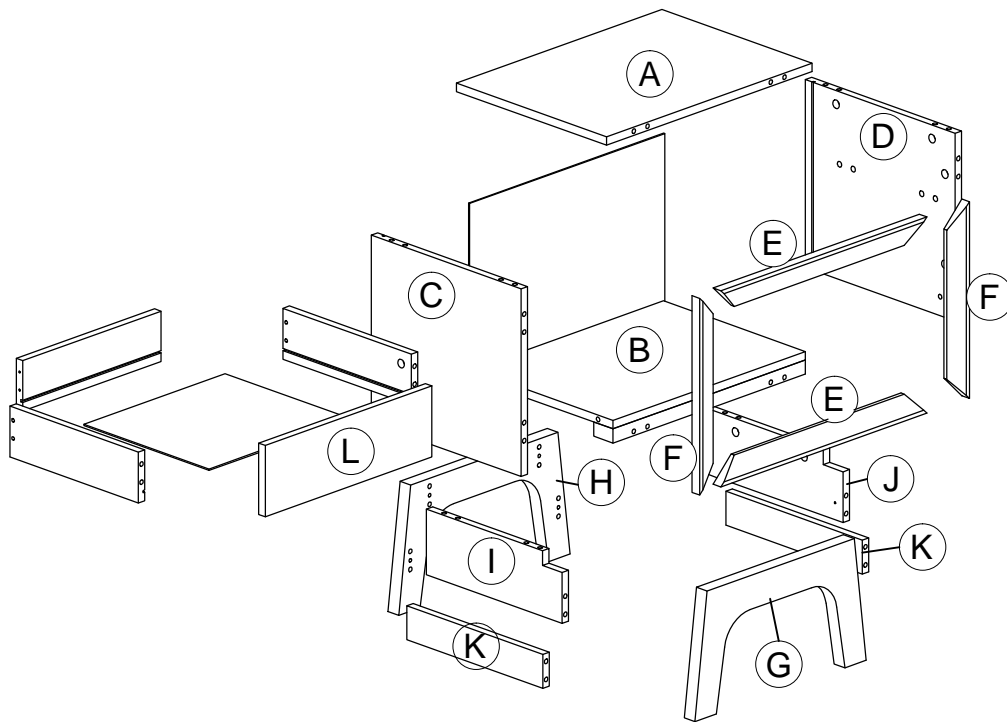


# Assembly Instruction

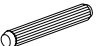







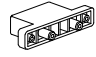


## Part List



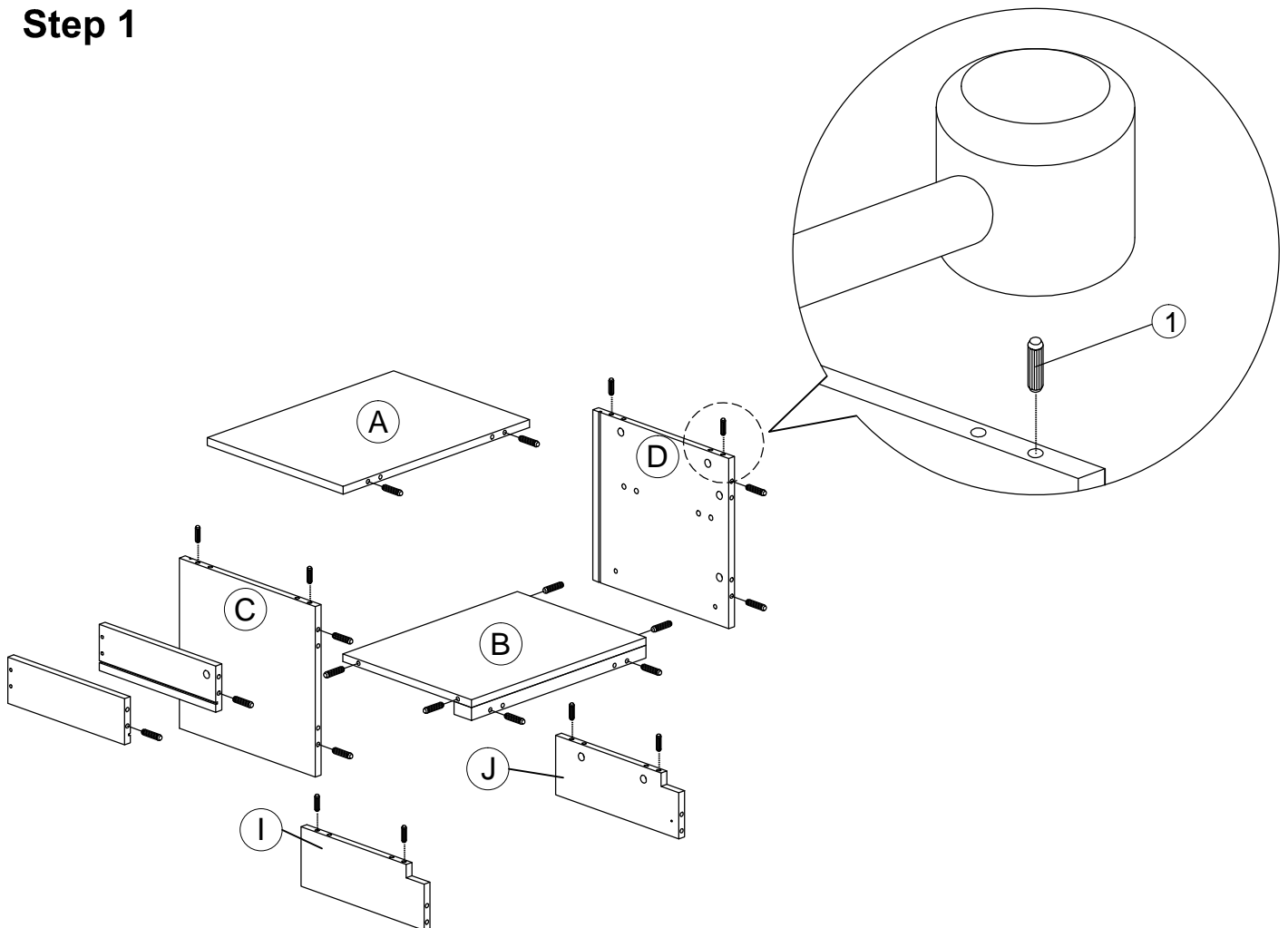
# Assembly Instruction

## Hardware List

No.	SHAPE	DESCRIPTION	Qty.
1		<b>8x25mm Wood Dowel</b>	22Pcs
2		<b>8x40mm Wood Dowel</b>	16Pcs
3		<b>15MM Titus Mini Fix</b>	18Sets
4		<b>M5x8mm Screw (Euro Screw)</b>	4 Pcs
5		<b>M3.5x15mm Screw</b>	28 Pcs
6		<b>M4x38mm Screw</b>	4 Pcs
7		<b>M4x45mm Screw</b>	4 Pcs
8		<b>L Bracket</b>	8 Pcs
9		<b>Nail</b>	4 Pcs

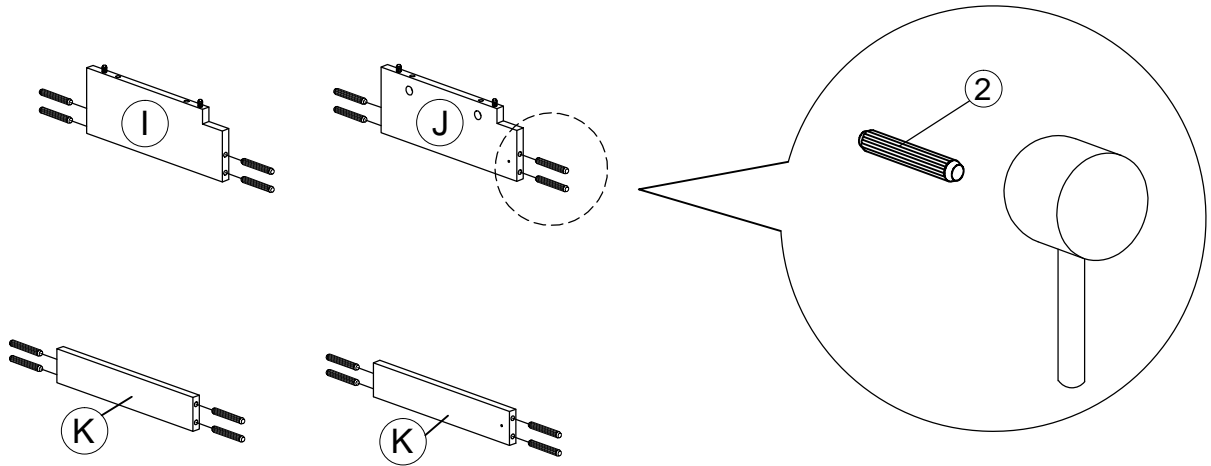
10		<b>Metal Drawer Slide 12" (300mm)</b>	1 Set
11		<b>PVC Drawer Pin 35mm</b>	4 Pcs
12		<b>Nail Leg</b>	4 Pcs
13		<b>Minifix Cap</b>	4 Pcs

## Step 1

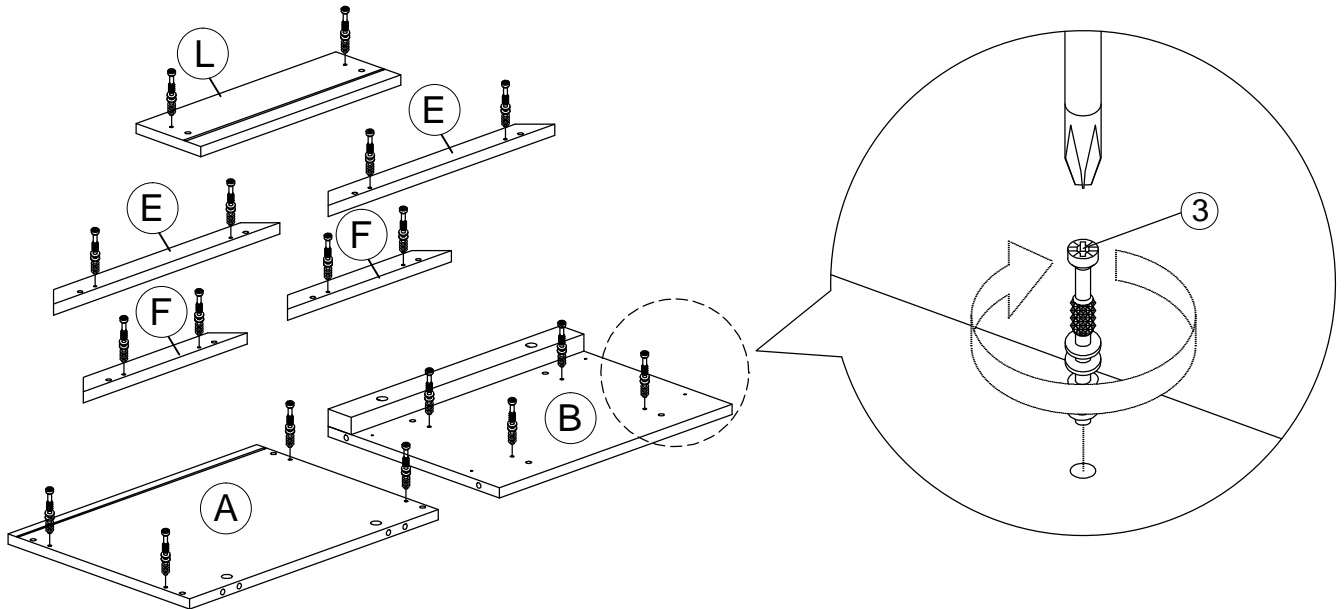


# Assembly Instruction

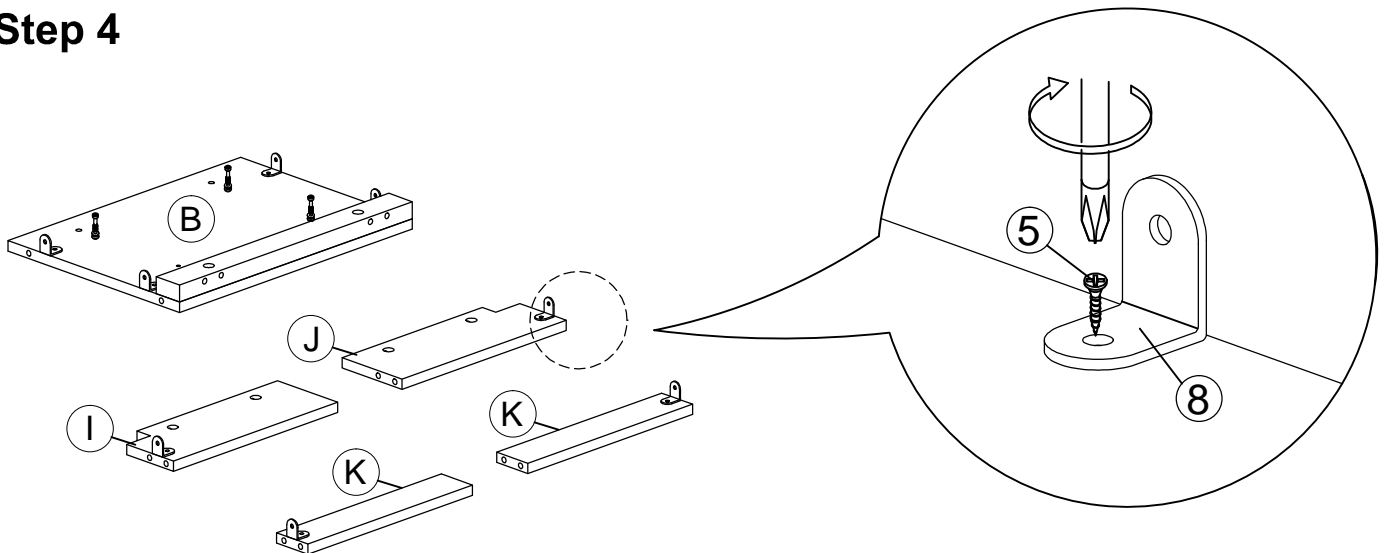
## Step 2



## Step 3

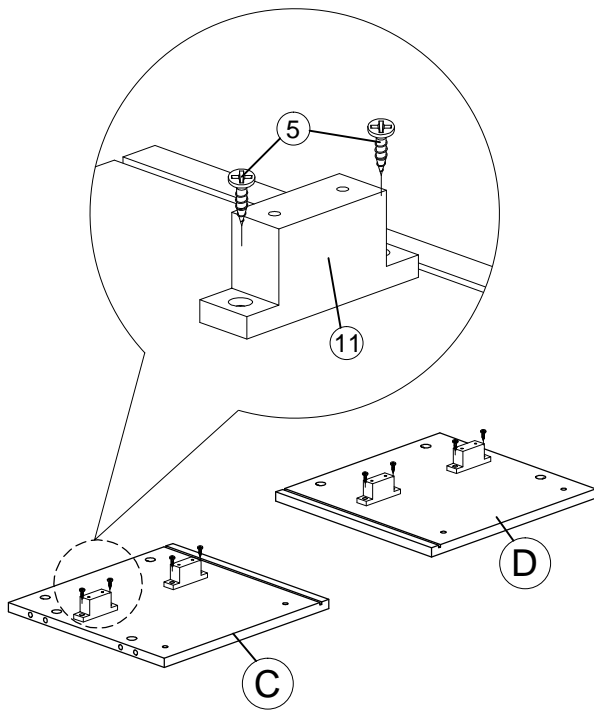


## Step 4

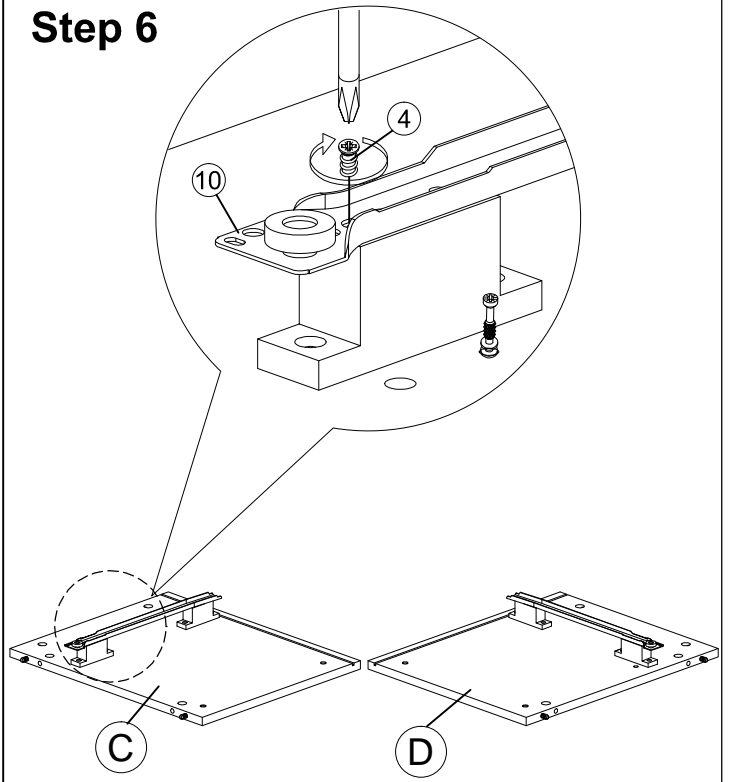


# Assembly Instruction

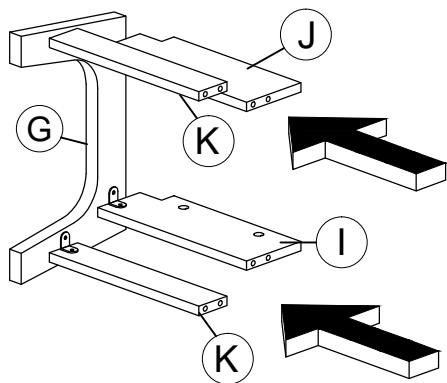
## Step 5



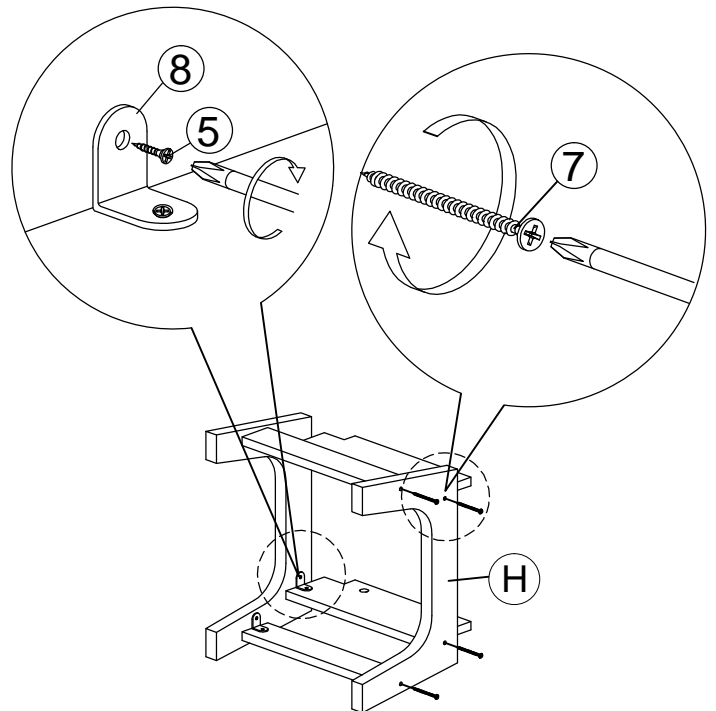
## Step 6



## Step 7

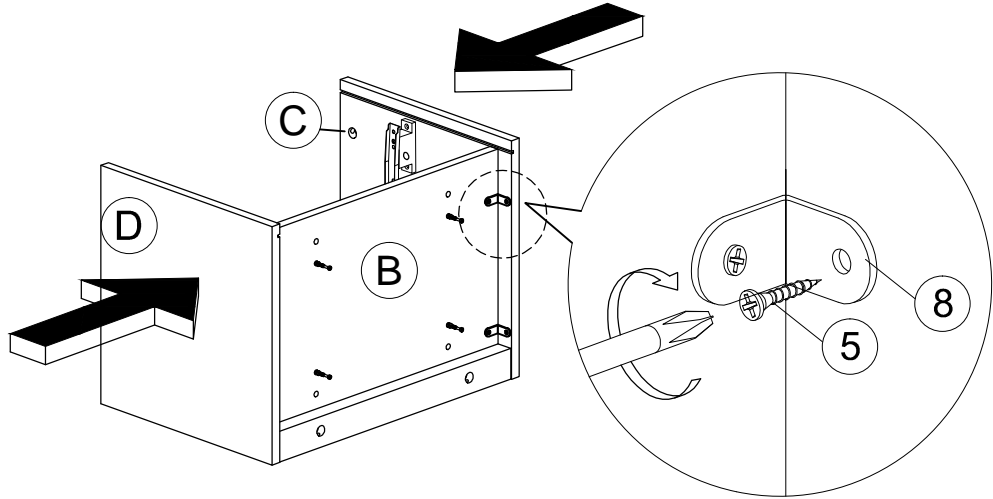


## Step 8

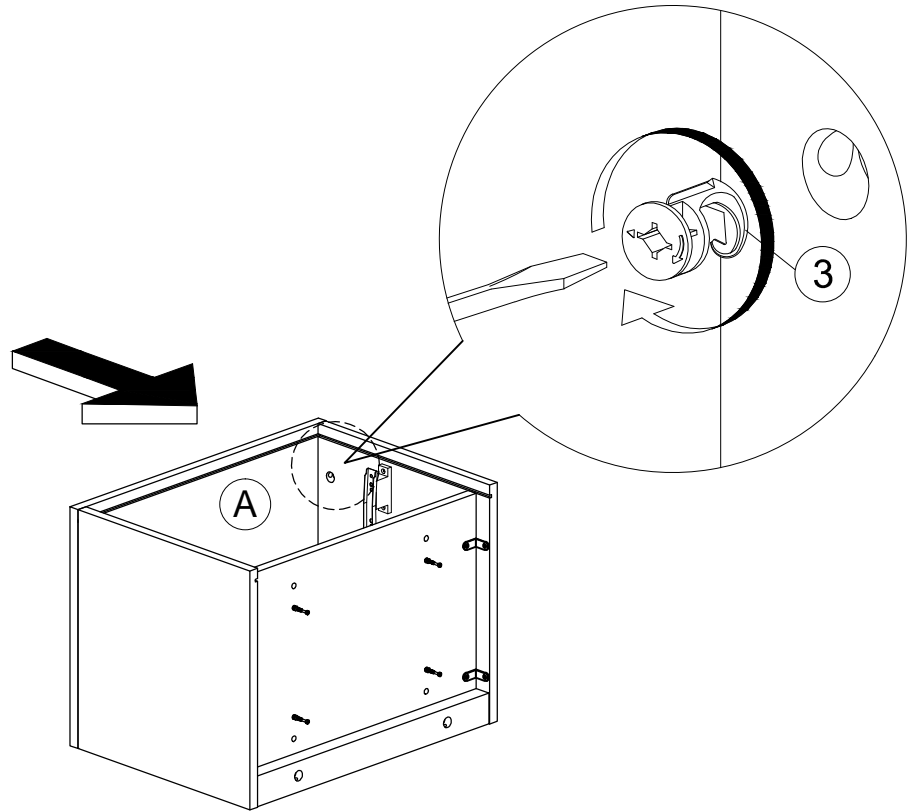


# Assembly Instruction

## Step 9

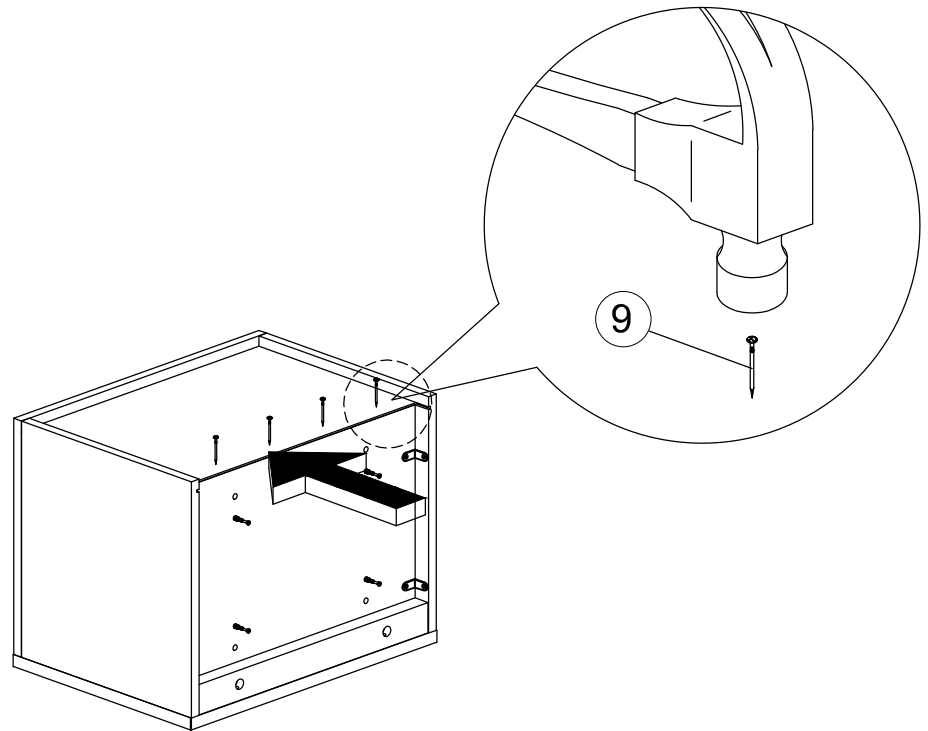


## Step 10

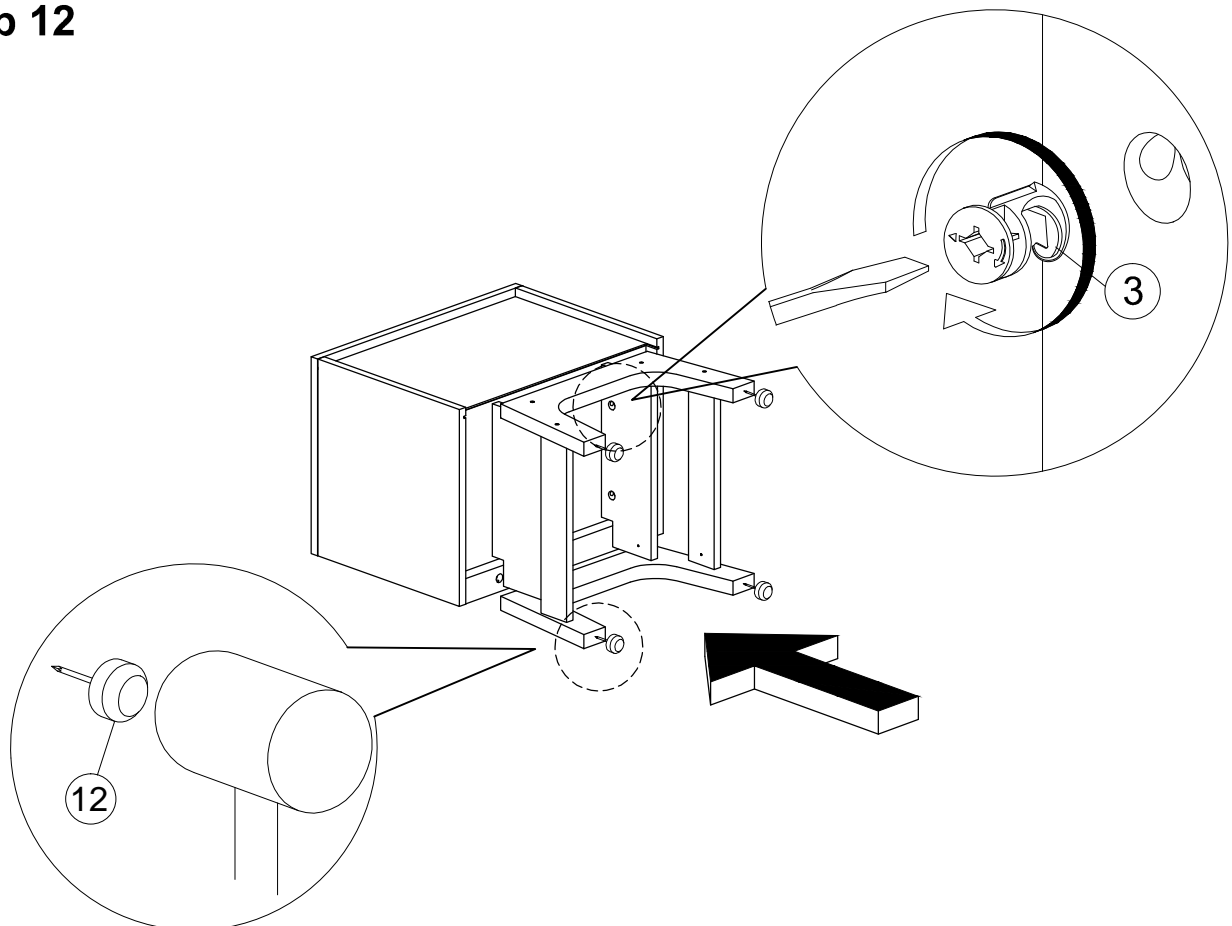


# Assembly Instruction

## Step 11

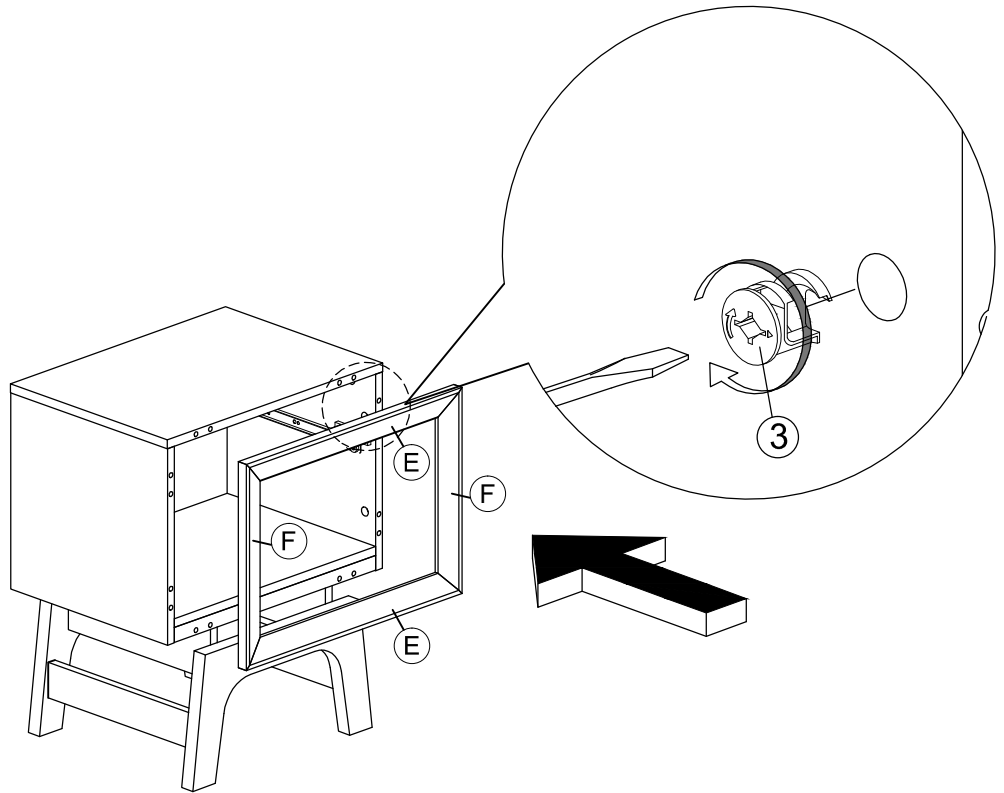


## Step 12

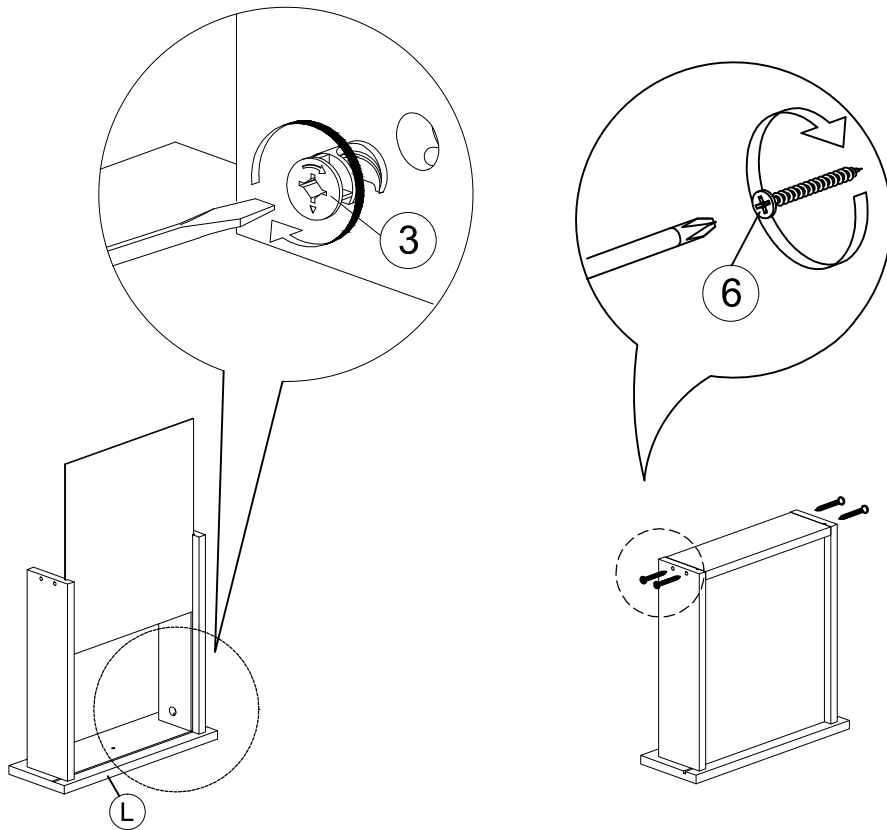


# Assembly Instruction

## Step 13

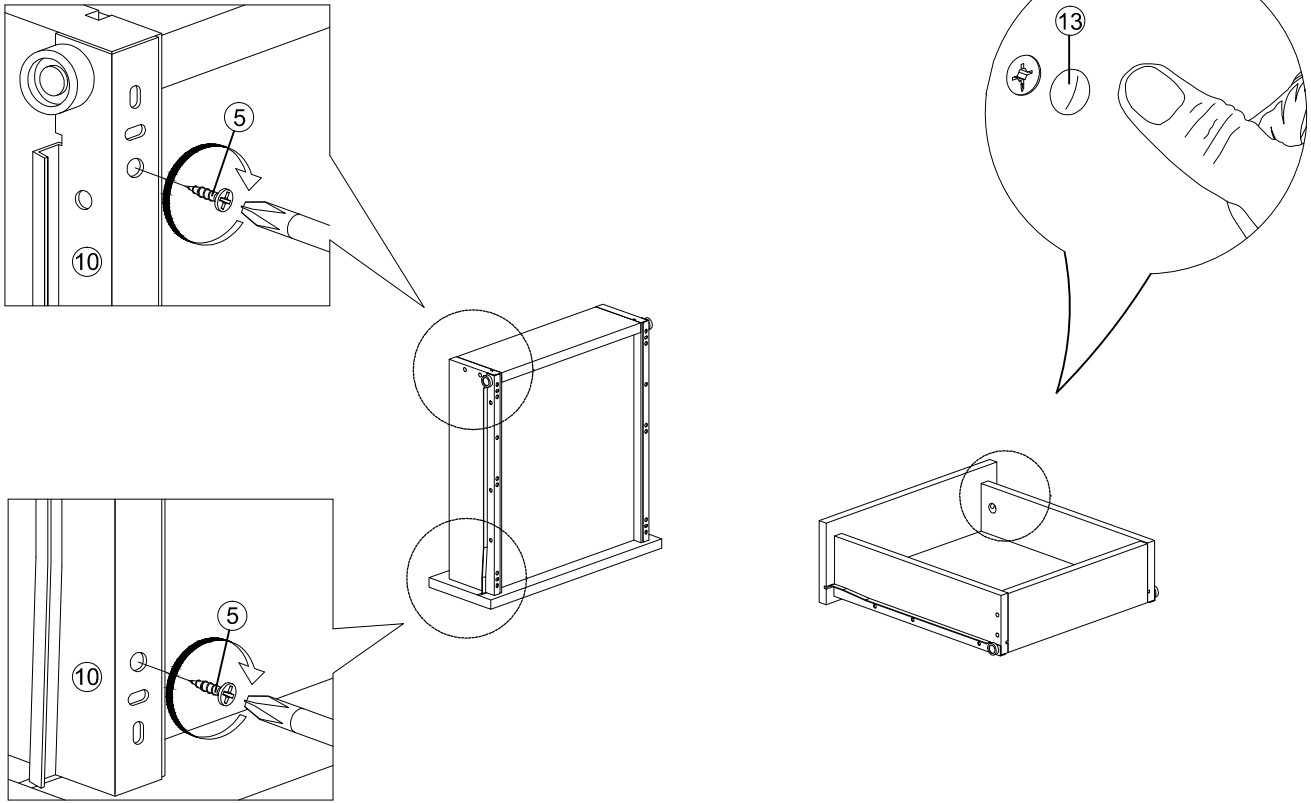


## Step 14



# Assembly Instruction

## STEP 15



## COMPLETE

