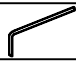

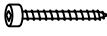



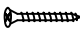
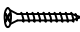






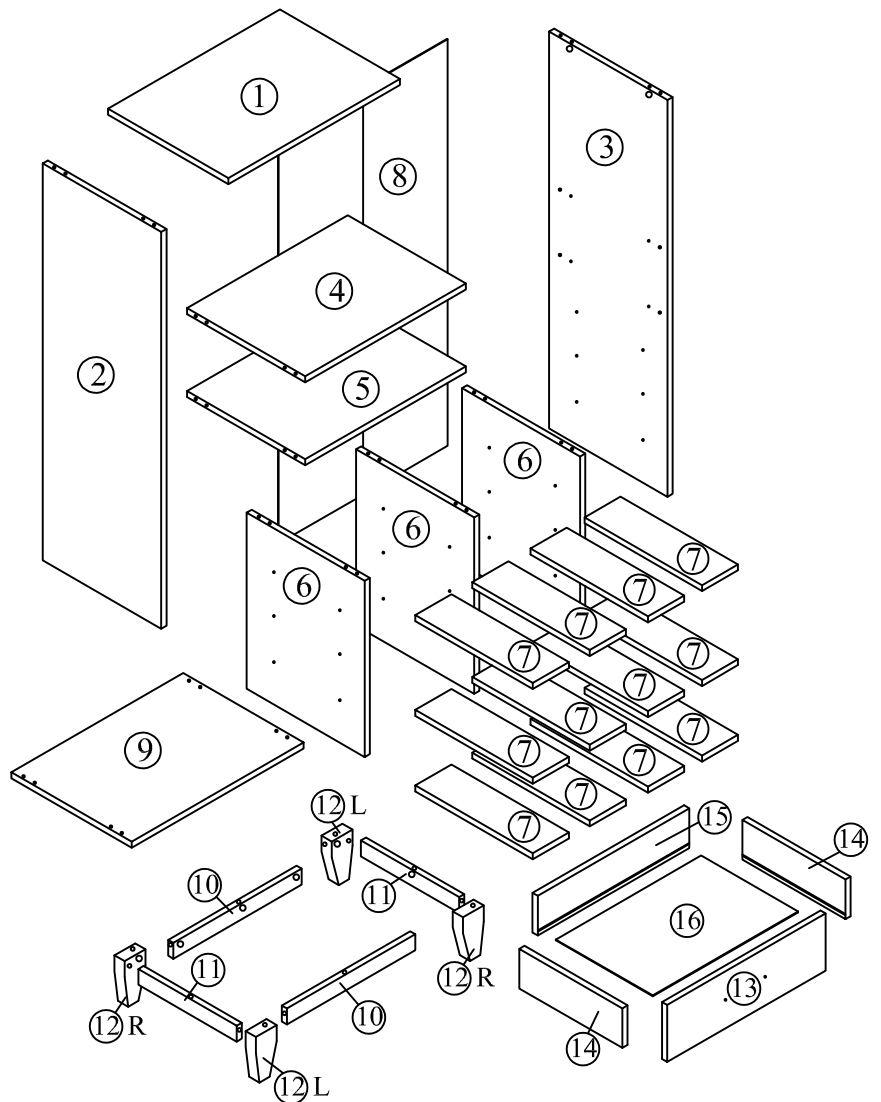
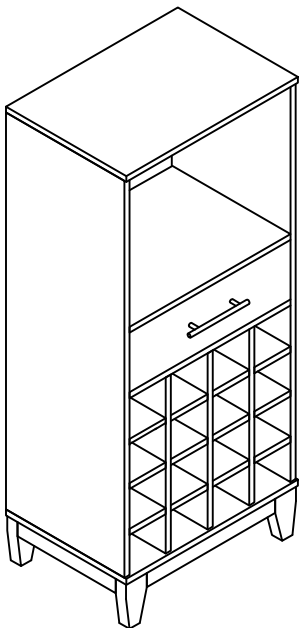


Assembly Instructions

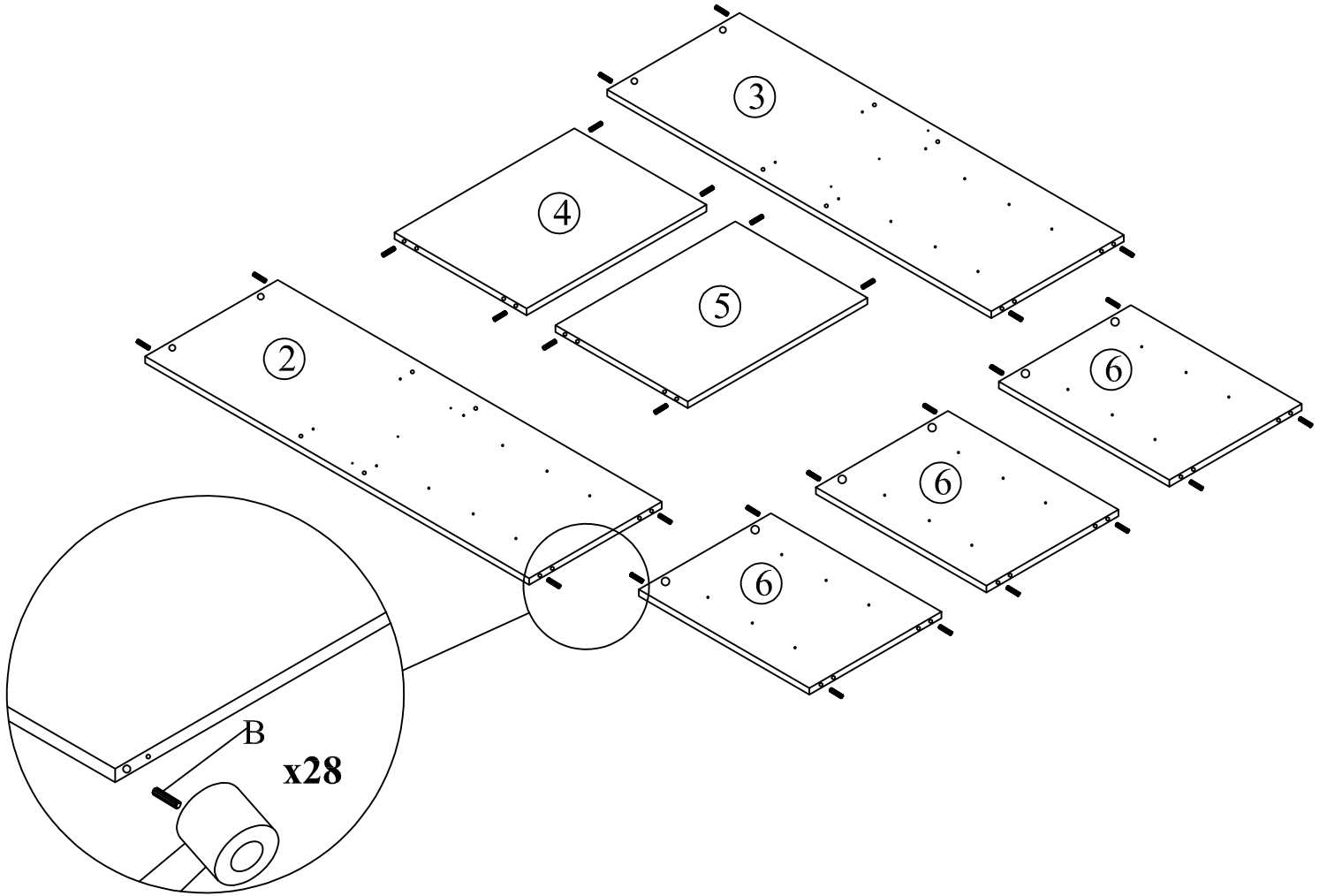
WC 8001

Part List		QTY
1	Top Panel	1
2	Left Side Panel	1
3	Right Side Panel	1
4	Top Middle Panel	1
5	Middle Panel	1
6	Divider Panel	3
7	Shelf	12
8	Back Panel	1
9	Bottom Panel	1
10	Bottom Bar Panel	2
11	Bottom Side Bar Panel	2
12	Left/Right Legs	4
13	Drawer Front Panel	1
14	Drawer Side Panel	2
15	Drawer Back Panel	1
16	Drawer Bottom Panel	1

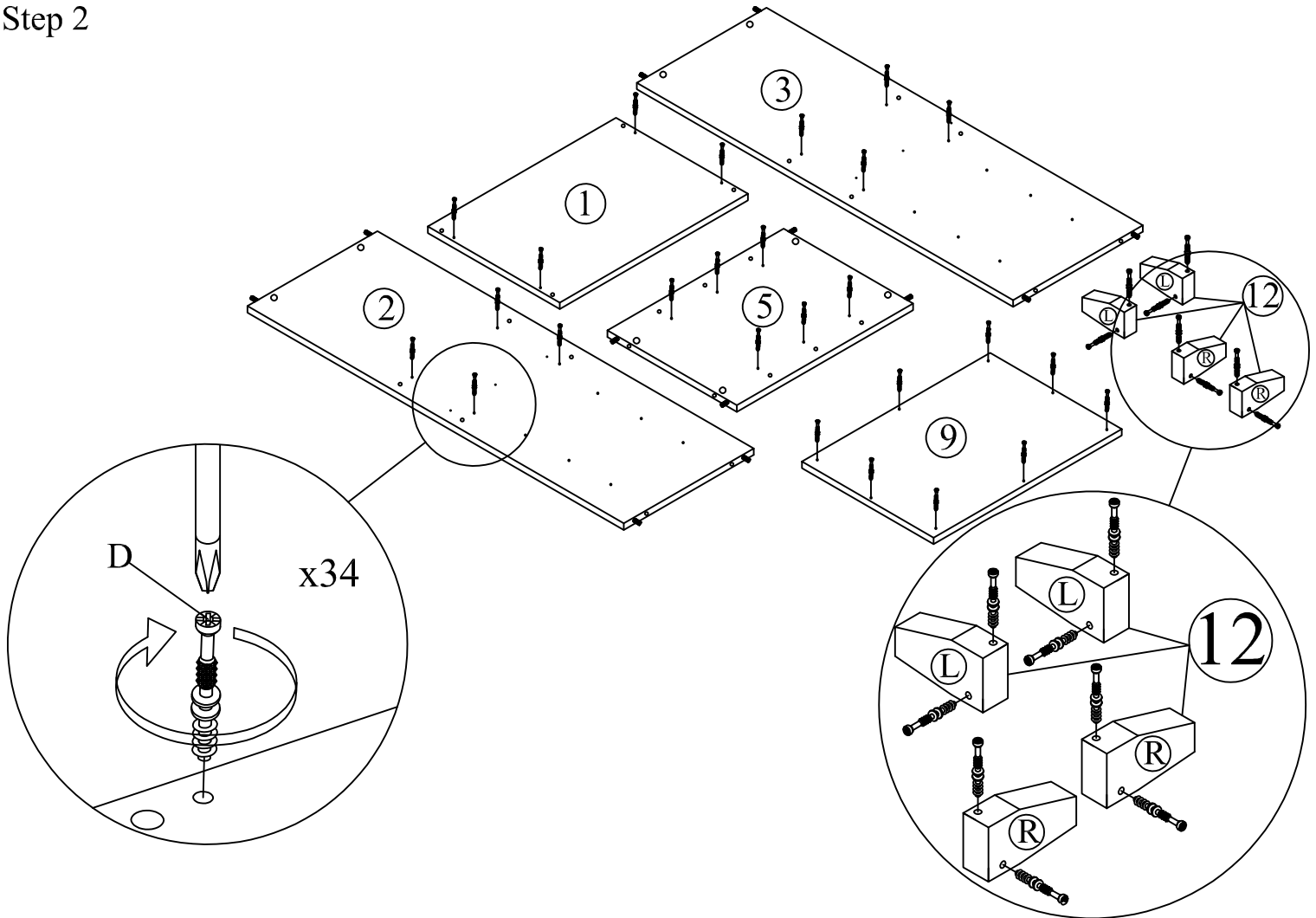
Hardware		QTY
A	Allen Key M4 	1
B	Wood Dowel 	28
C	JCBC W Screw M6x40 	10
D	Mini Fix Bolt 	34
E	Mini Fix Housing 	34
F	Mini Fix Cap 	34
G	CSK Screw M3.5x16mm 	12
H	CSK Screw M4x50mm 	8
I	Shelf Support Metal 	48
J	Handle 	1
K	Handle screw 	2
L	Drawer Slider 	1
M	Nail 	47
N	White Nail 	4



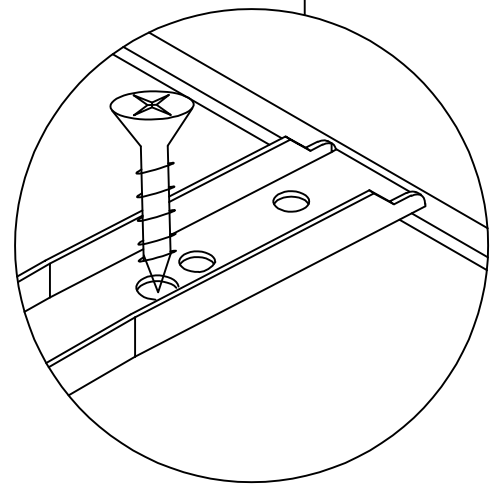
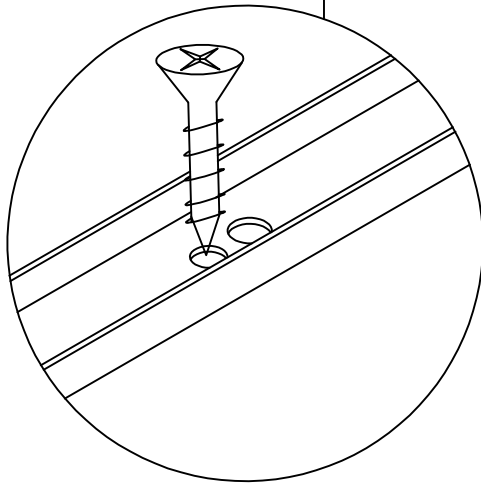
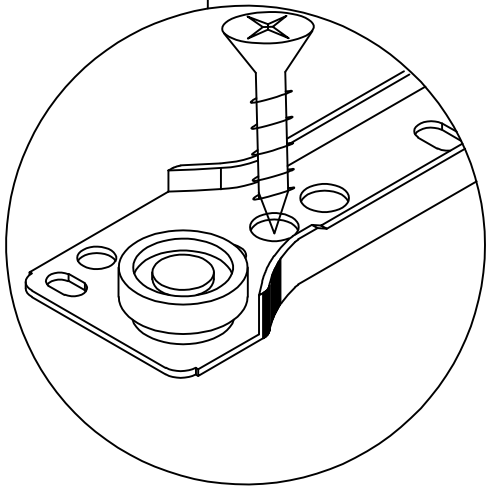
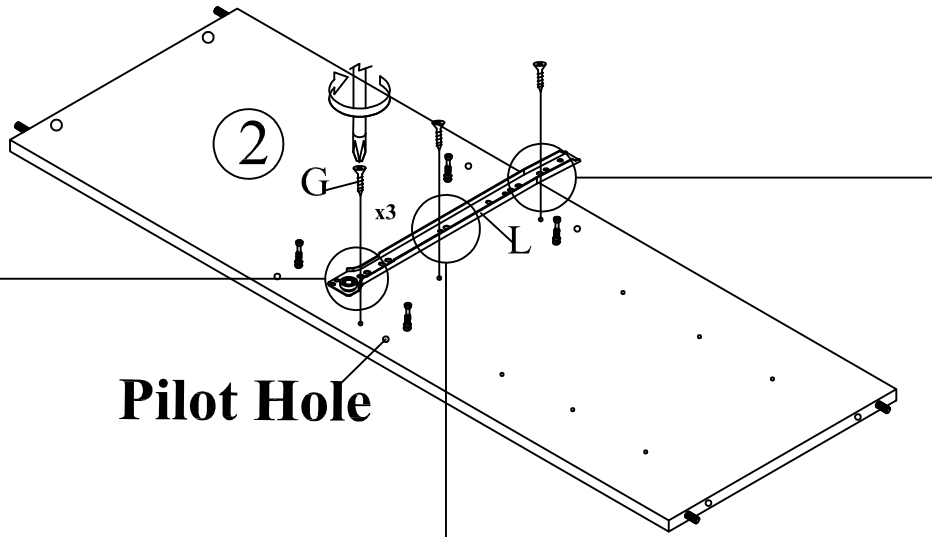
Step 1



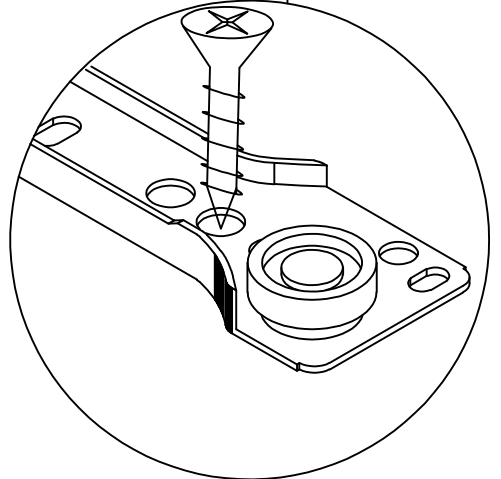
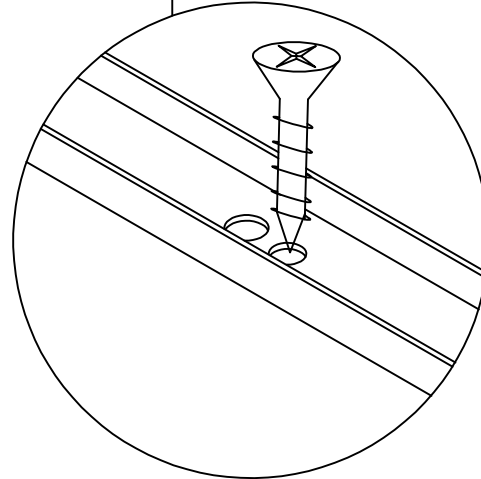
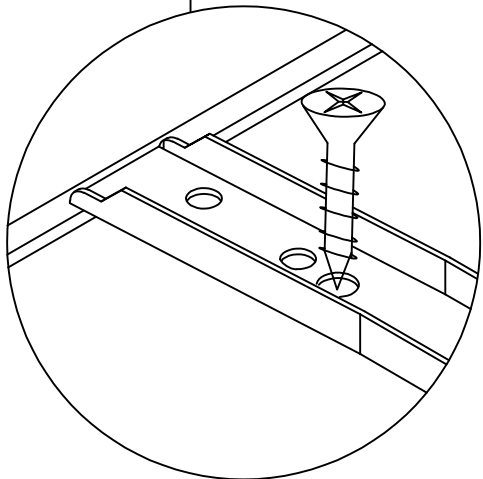
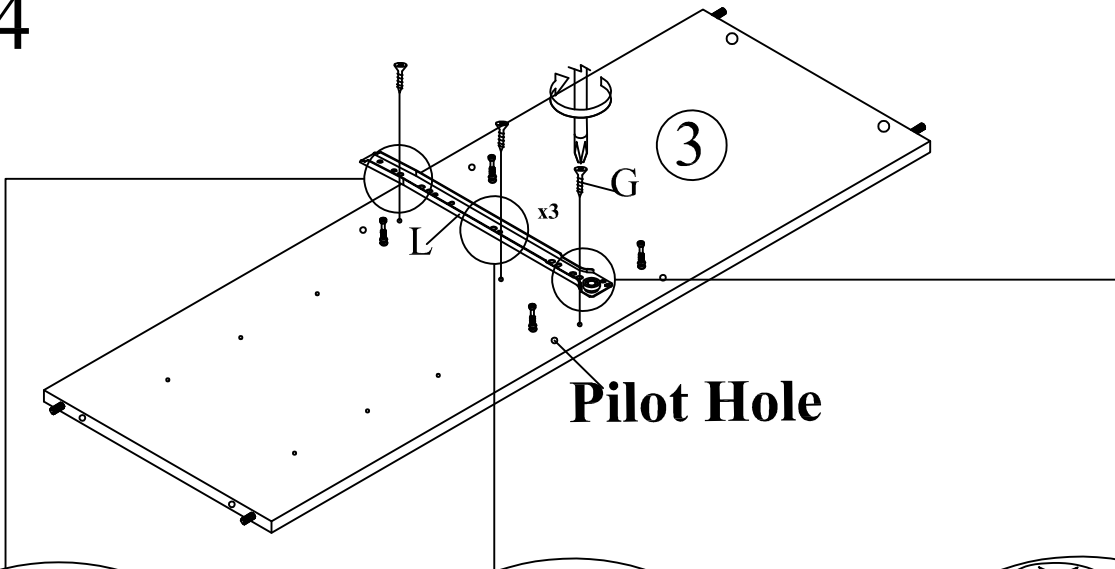
Step 2



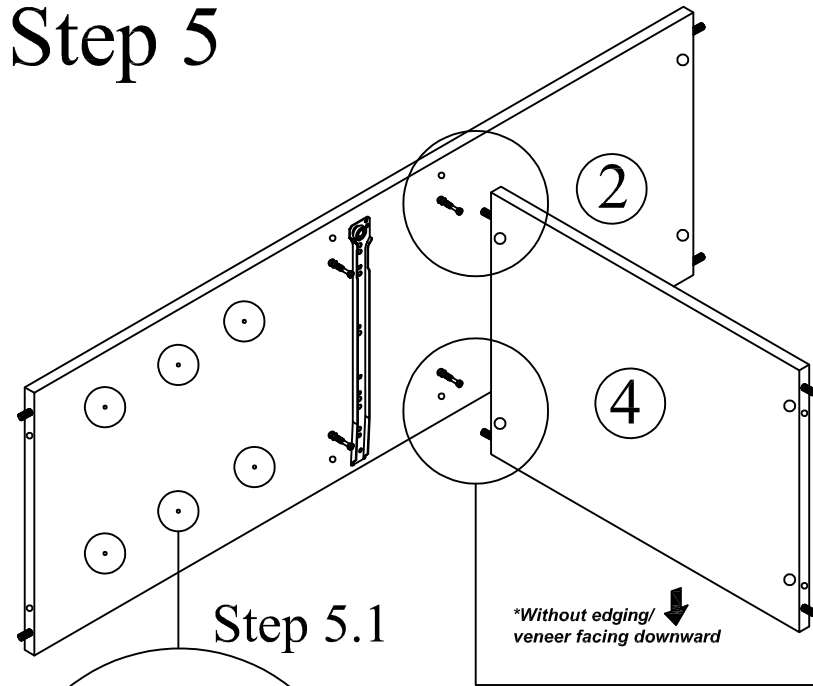
Step 3



Step 4

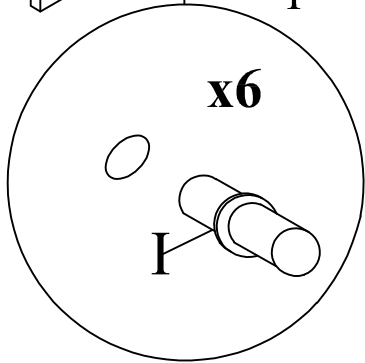


Step 5



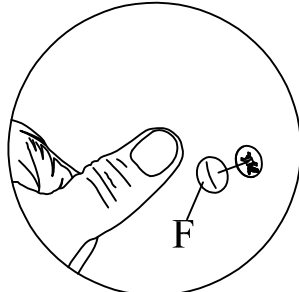
Step 5.1

**Without edging/
veneer facing downward*



x6

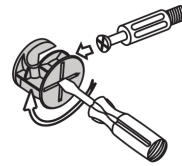
I



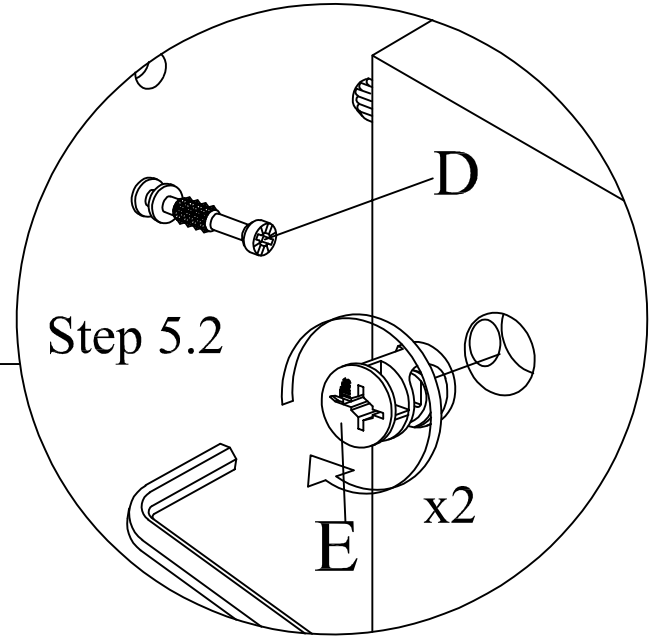
F

**Attach Minifix Cap as shown.*

This is how a mini fix works...



The head of the mini fix housing goes into the open mouth of the mini fix bolt. You then turn the mini fix housing so it tightens over the mini fix bolt.



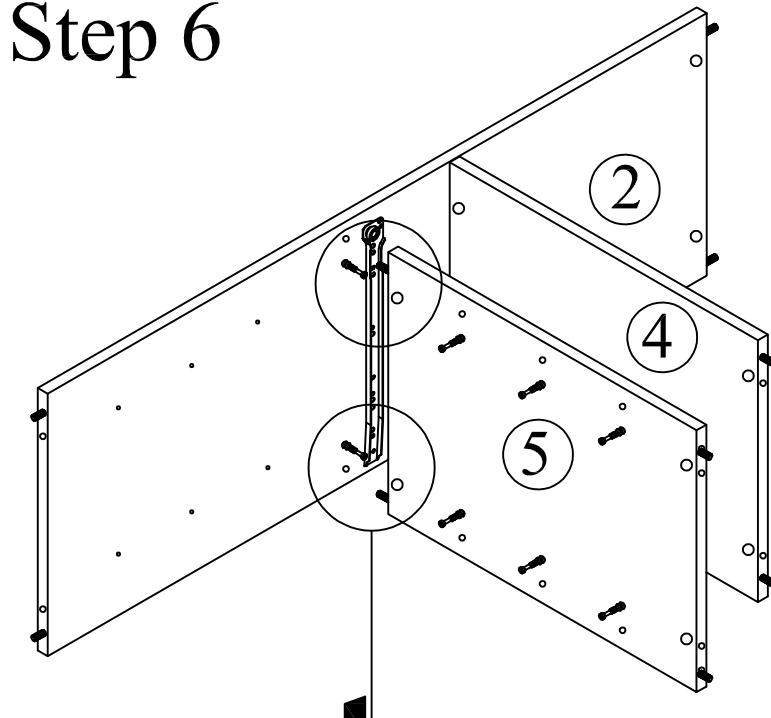
Step 5.2

x2

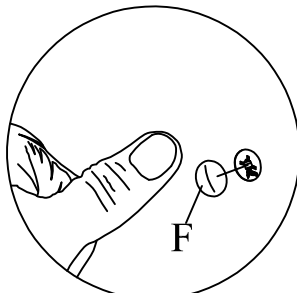
E

x2

Step 6



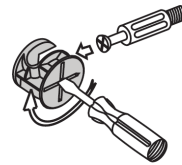
**Without edging/
veneer facing downward*



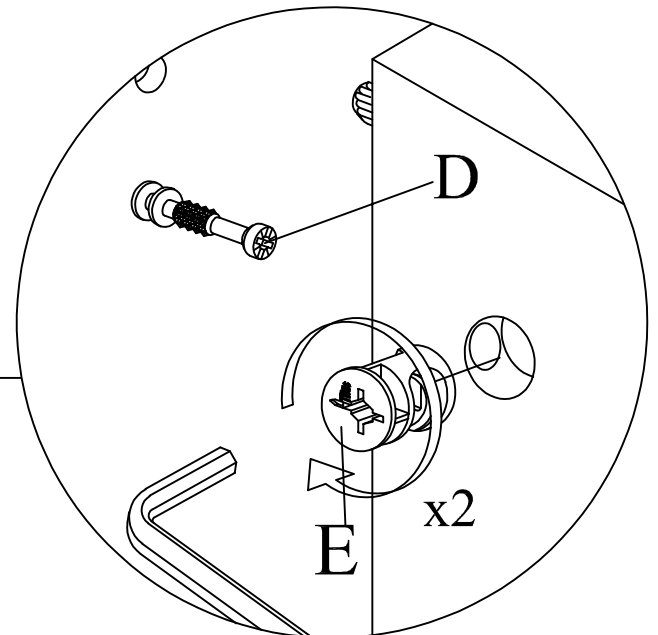
F

**Attach Minifix Cap as shown.*

This is how a mini fix works...



The head of the mini fix housing goes into the open mouth of the mini fix bolt. You then turn the mini fix housing so it tightens over the mini fix bolt.

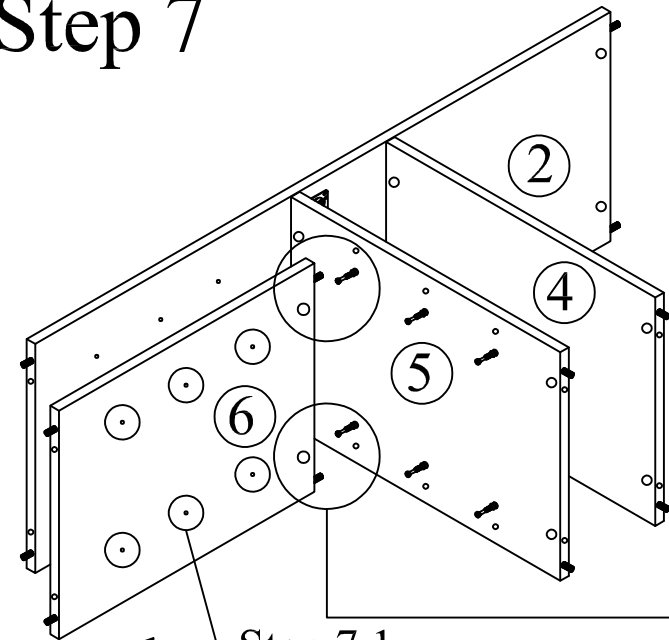


D

E

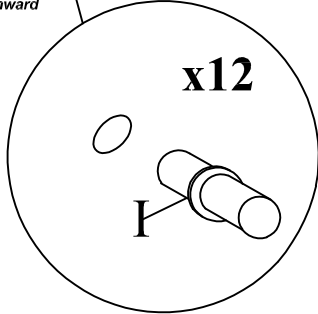
x2

Step 7



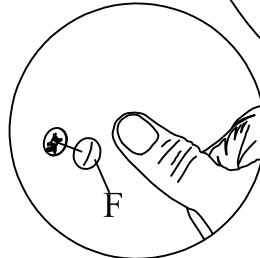
*Without edging/
veneer facing downward

Step 7.1



x12

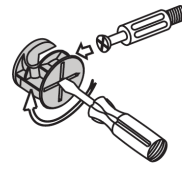
I



F

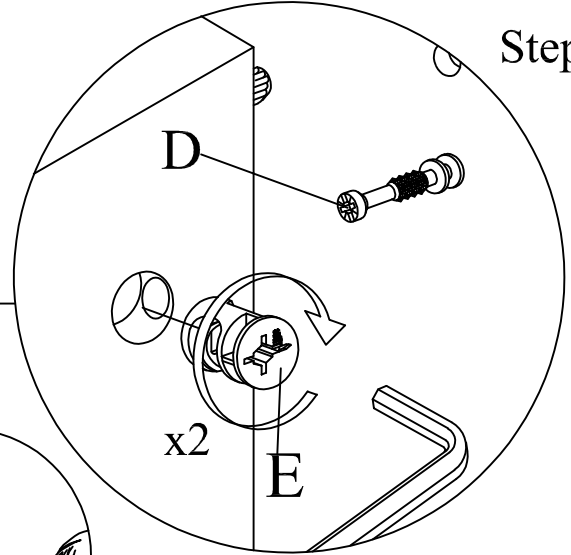
*Attach Minifix Cap as shown.

This is how a mini fix works...



The head of the mini fix housing goes into the open mouth of the mini fix bolt. You then turn the mini fix housing so it tightens over the mini fix bolt.

Step 7.2

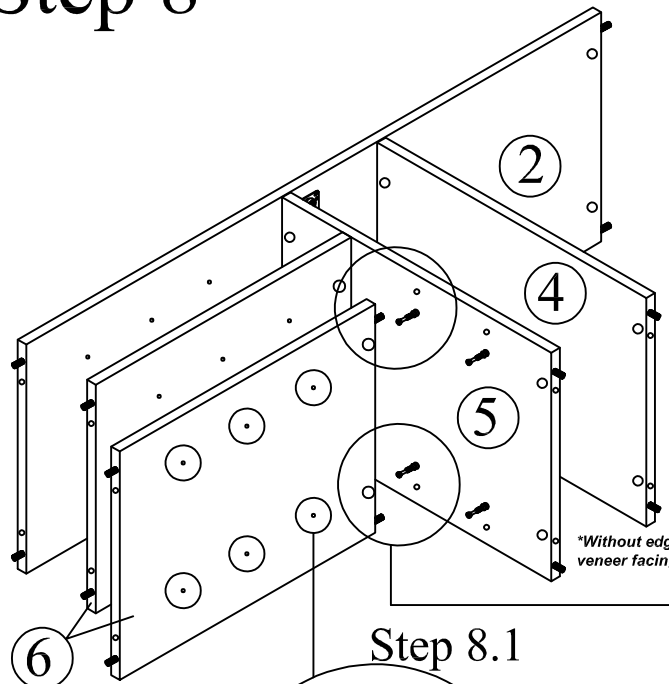


D

x2

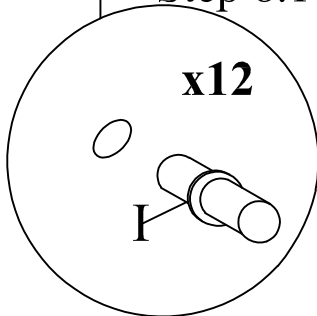
E

Step 8



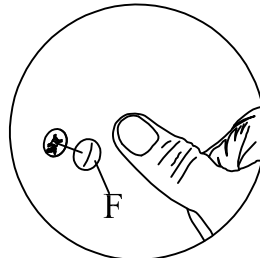
*Without edging/
veneer facing downward

Step 8.1



x12

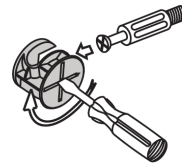
I



F

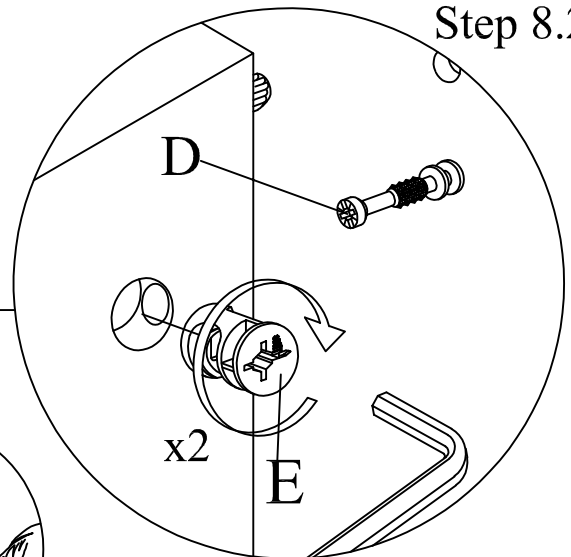
*Attach Minifix Cap as shown.

This is how a mini fix works...



The head of the mini fix housing goes into the open mouth of the mini fix bolt. You then turn the mini fix housing so it tightens over the mini fix bolt.

Step 8.2



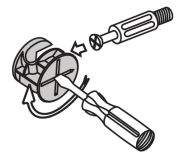
D

x2

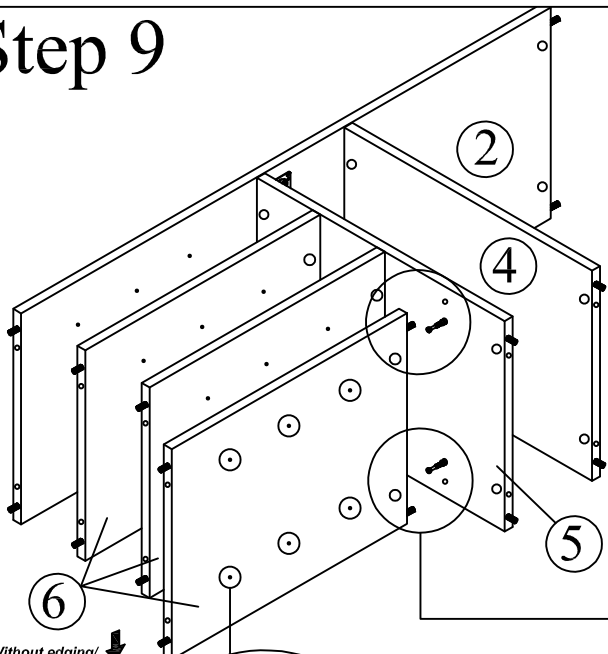
E

Step 9

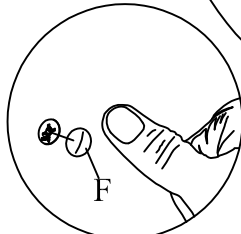
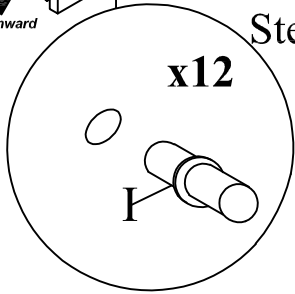
This is how a mini fix works...



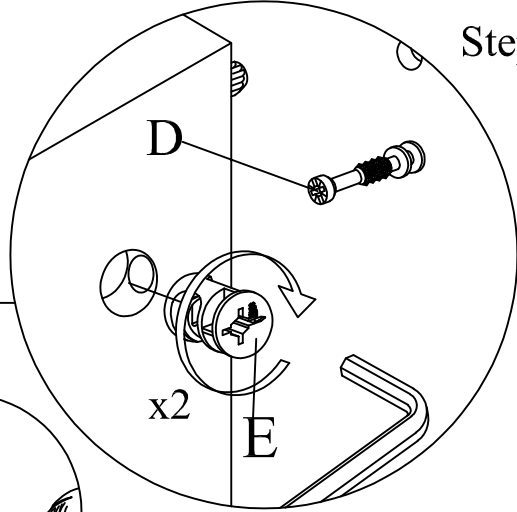
The head of the mini fix housing goes into the open mouth of the mini fix bolt. You then turn the mini fix housing so it tightens over the mini fix bolt.



*Without edging/
veneer facing downward

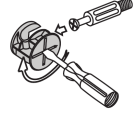


*Attach Minifix Cap as shown.

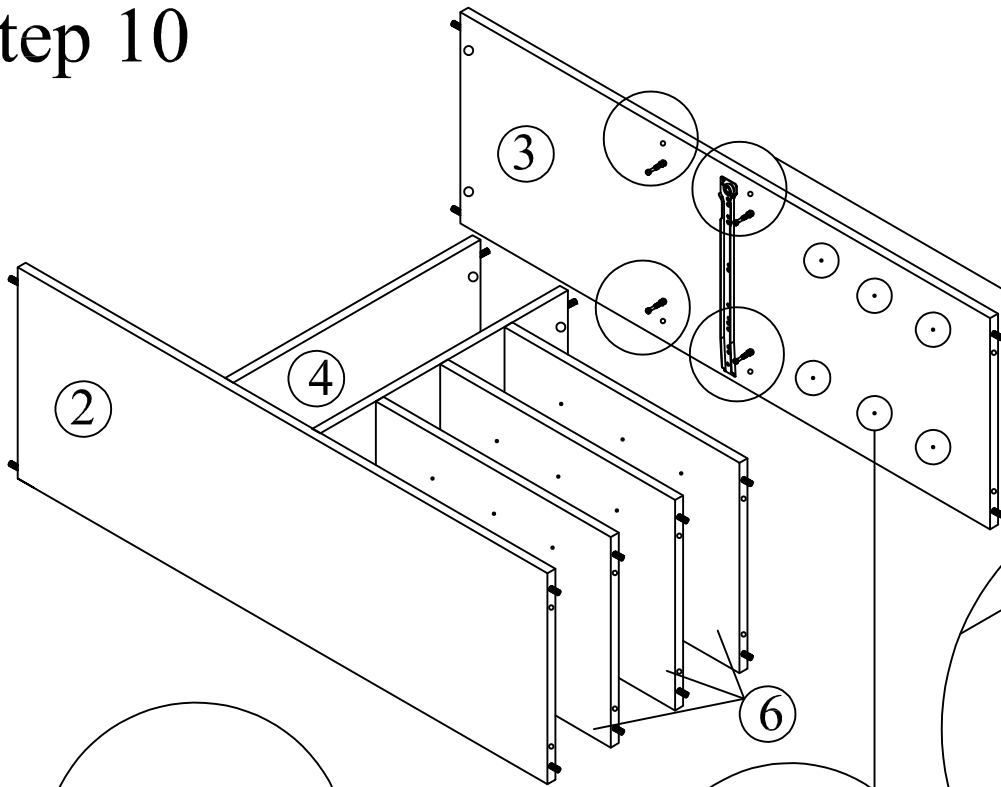


Step 10

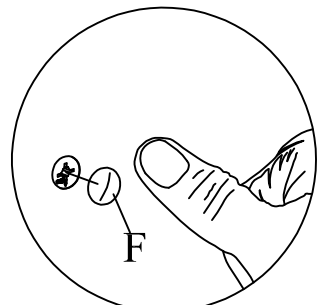
This is how a mini fix works...



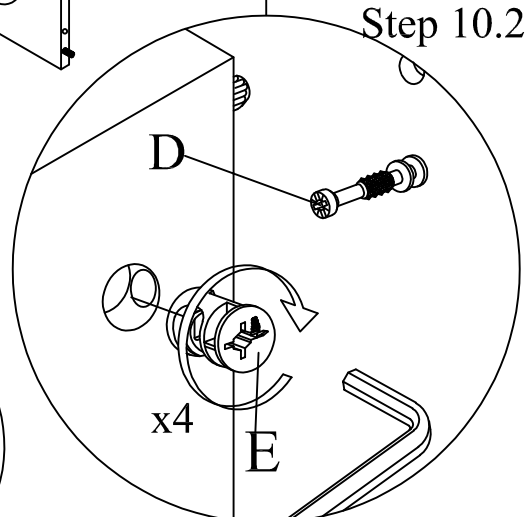
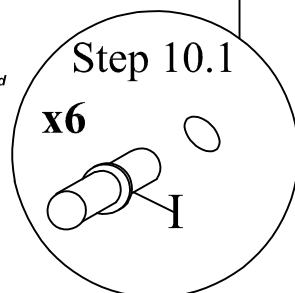
The head of the mini fix housing goes into the open mouth of the mini fix bolt. You then turn the mini fix housing so it tightens over the mini fix bolt.



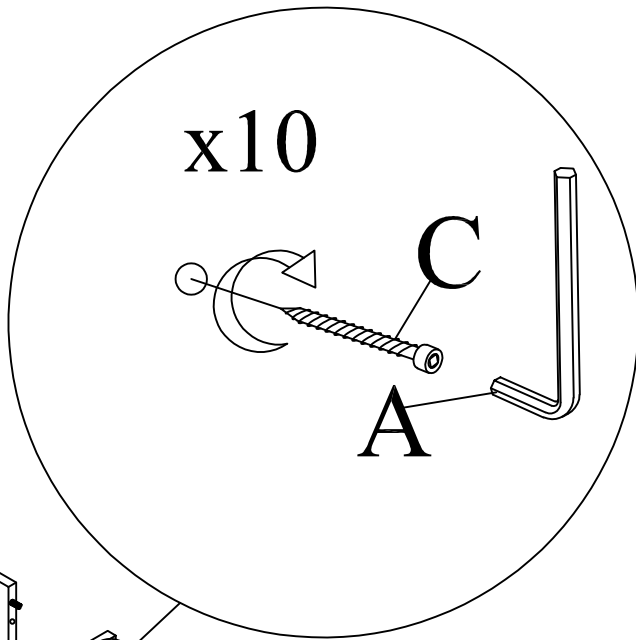
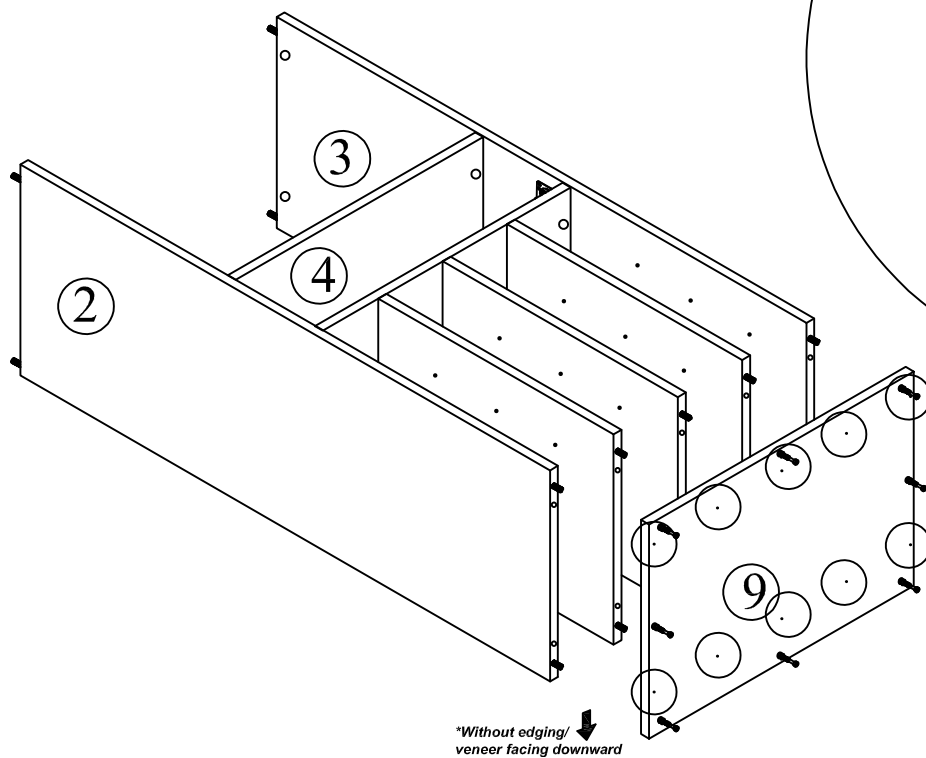
*Without edging/
veneer facing downward



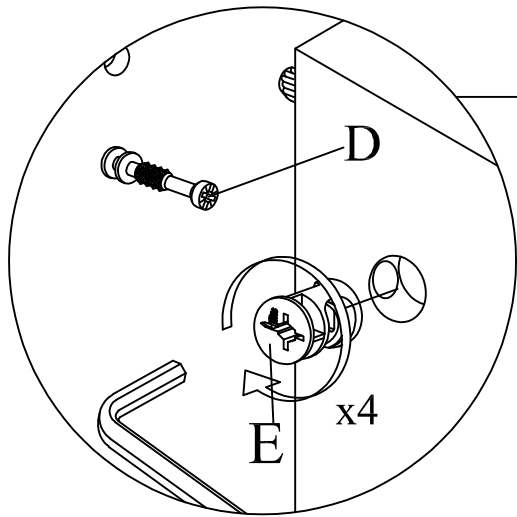
*Attach Minifix Cap as shown.



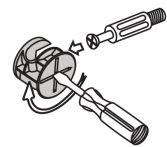
Step 11



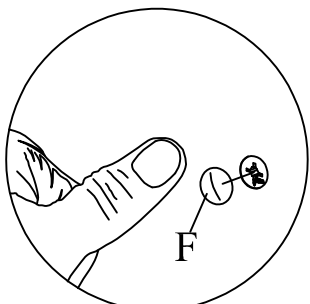
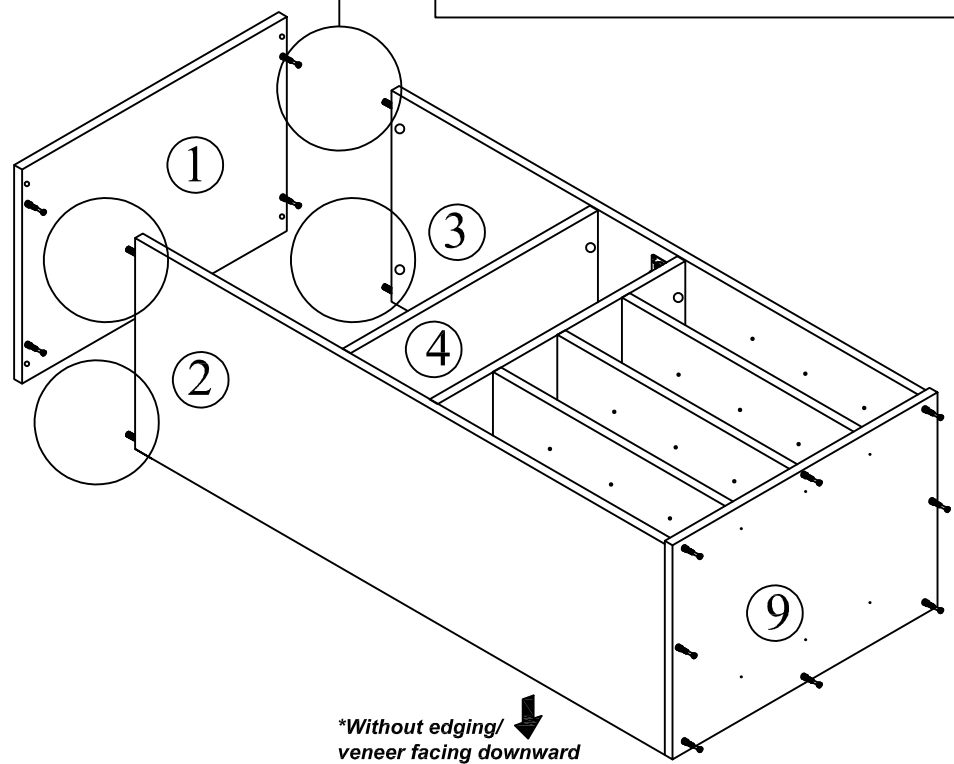
Step 12



This is how a mini fix works...



The head of the mini fix housing goes into the open mouth of the mini fix bolt. You then turn the mini fix housing so it tightens over the mini fix bolt.

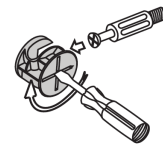


*Attach Minifix Cap as shown.

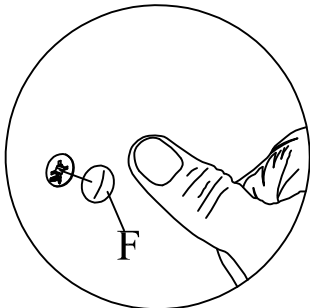
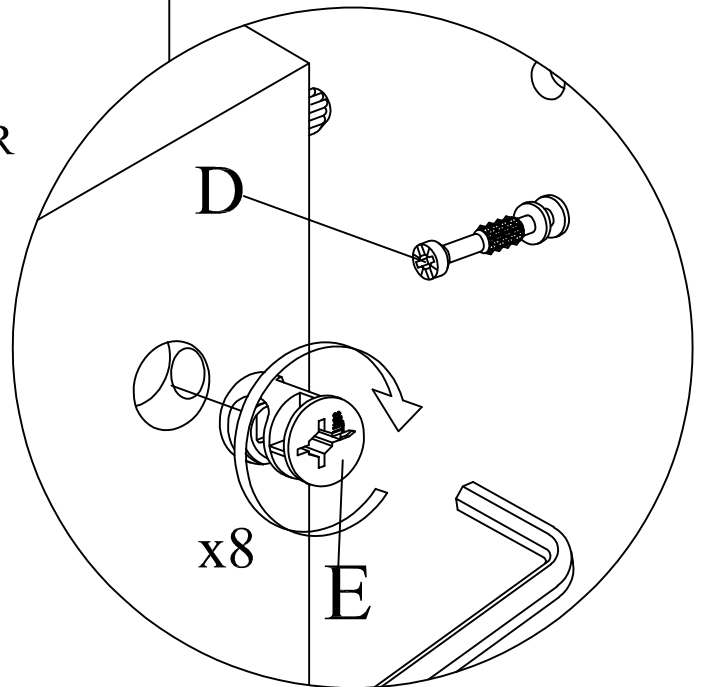
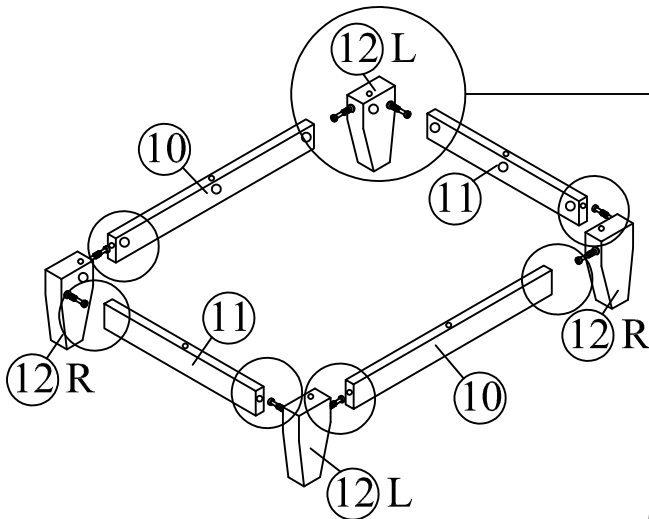
*Without edging/ veneer facing downward

Step 13

This is how a mini fix works...



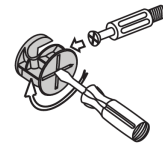
The head of the mini fix housing goes into the open mouth of the mini fix bolt. You then turn the mini fix housing so it tightens over the mini fix bolt.



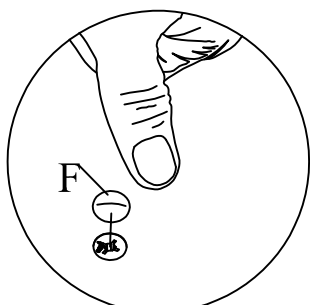
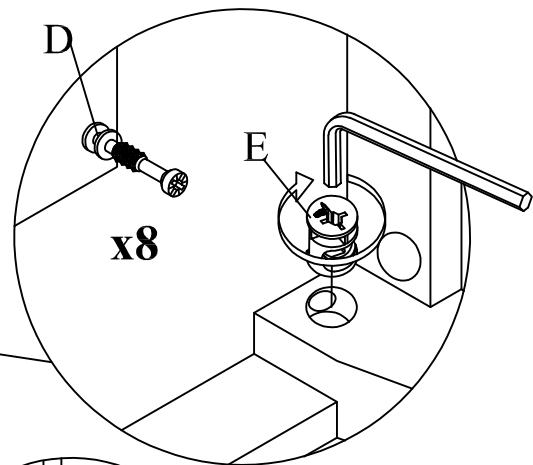
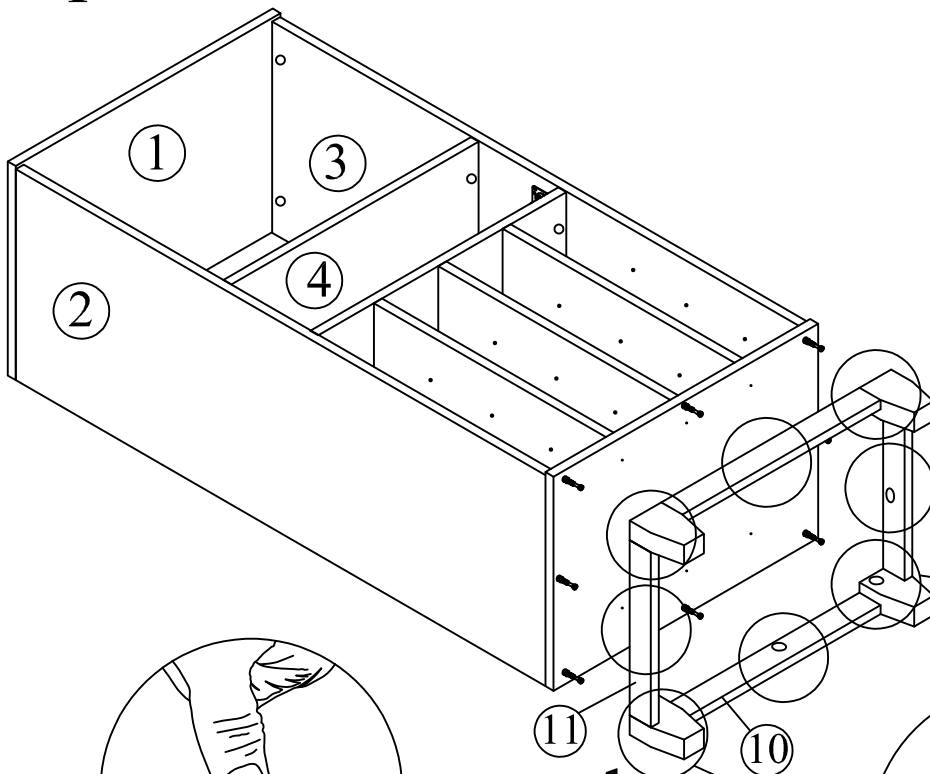
*Attach Minifix Cap as shown.

Step 14

This is how a mini fix works...

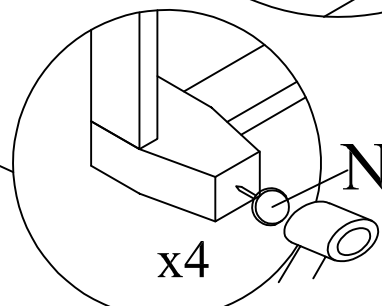


The head of the mini fix housing goes into the open mouth of the mini fix bolt. You then turn the mini fix housing so it tightens over the mini fix bolt.



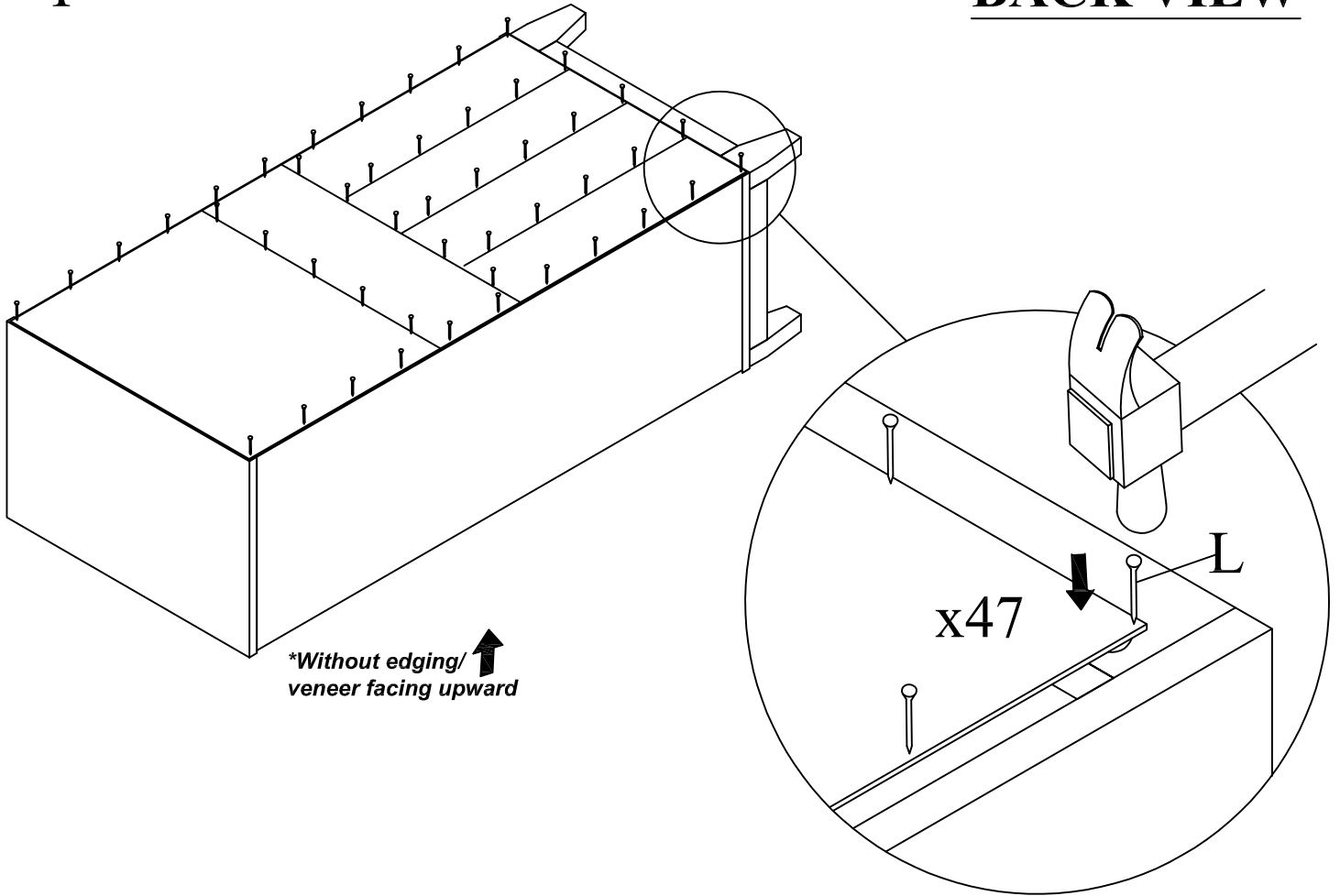
*Without edging/
vener facing downward

*Attach Minifix Cap as shown.

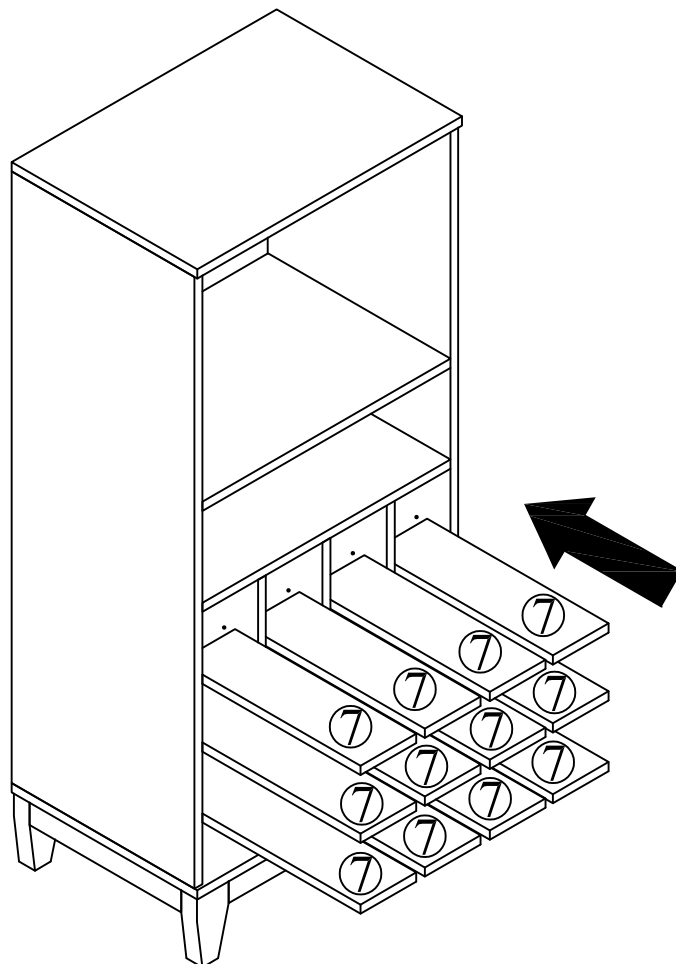


Step 15

BACK VIEW

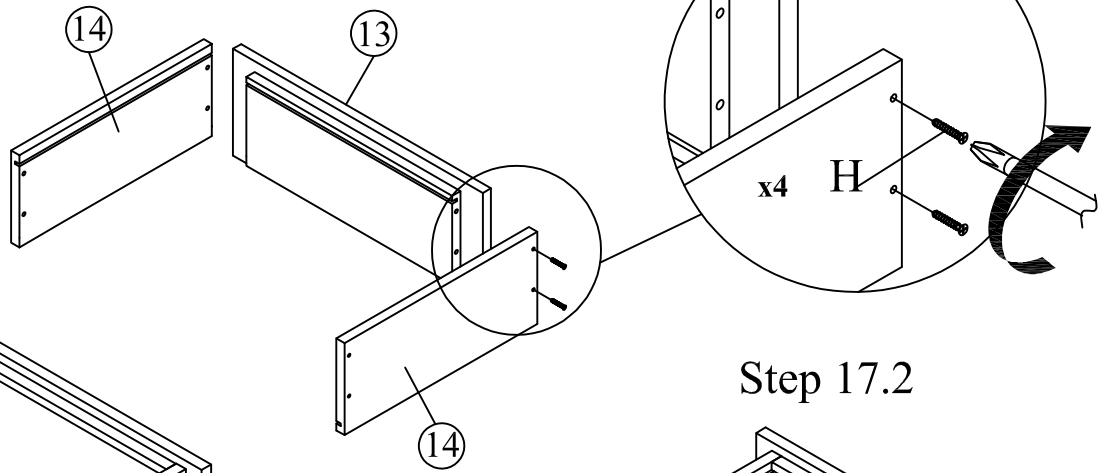


Step 16

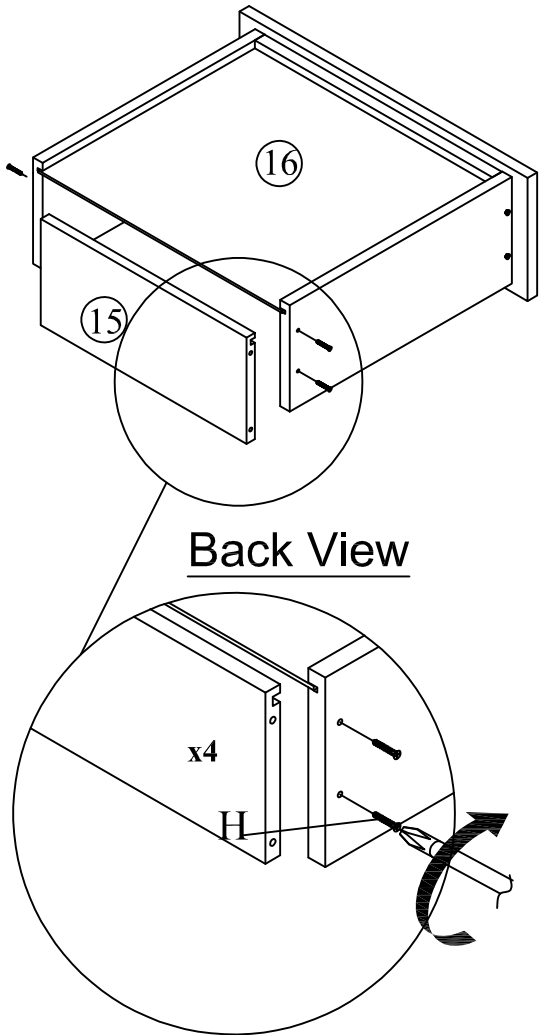


Step 17

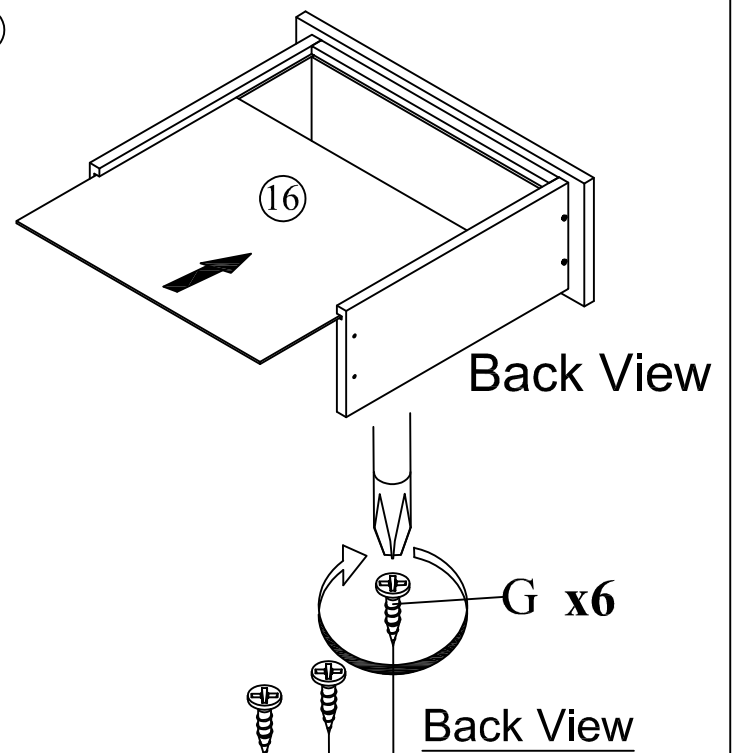
Step 17.1



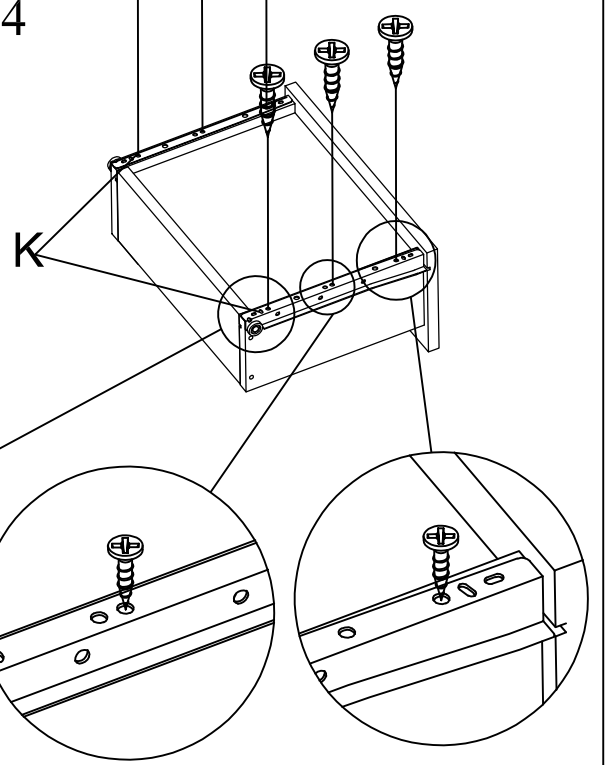
Step 17.3



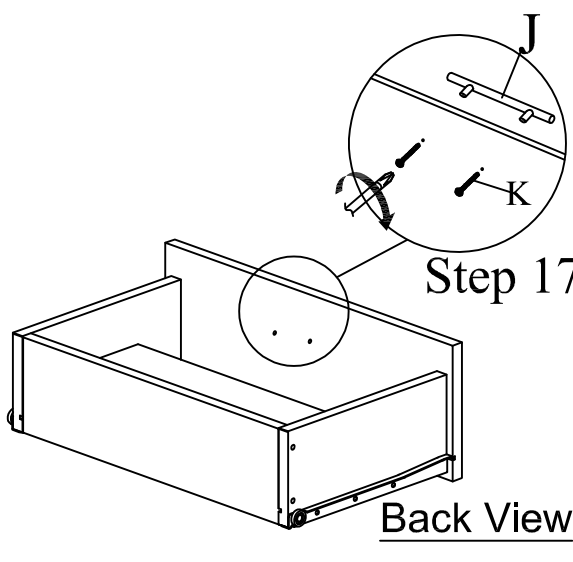
Step 17.2



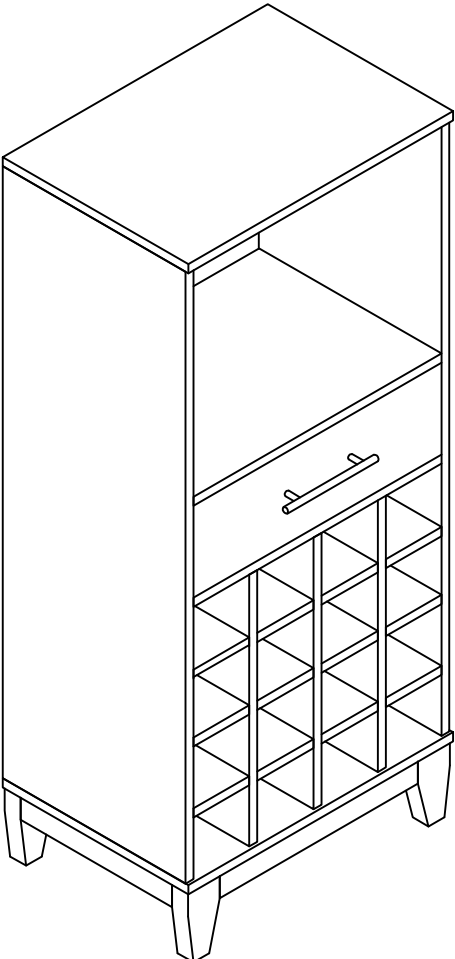
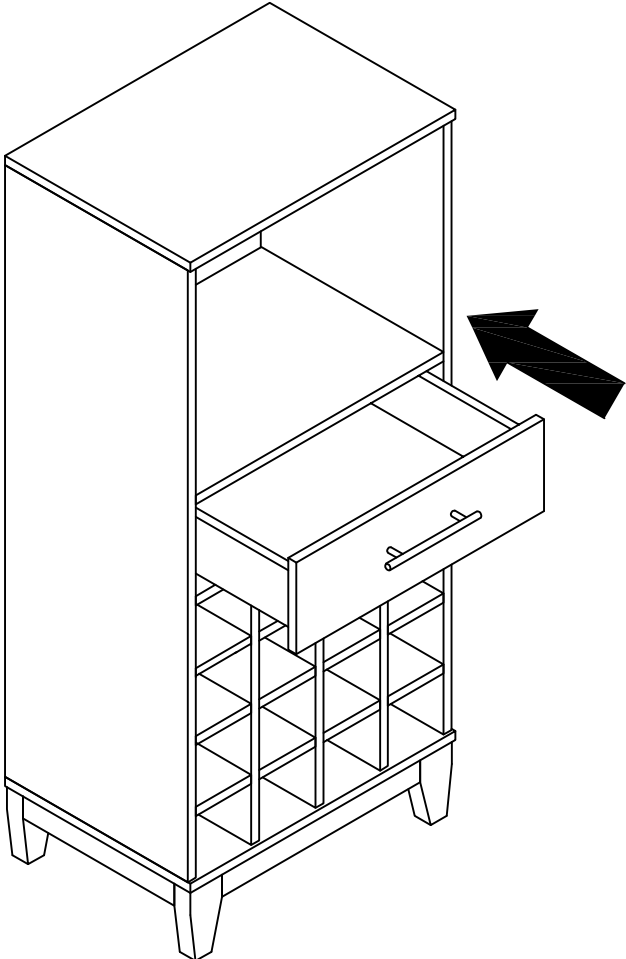
Step 17.4



Step 17.5



Step 18



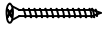
Anti -
Tipping

(A)



CSK Screw
M3.5x16mm
1PC

(B)



CSK Screw
M4x50mm
1PC

(C)

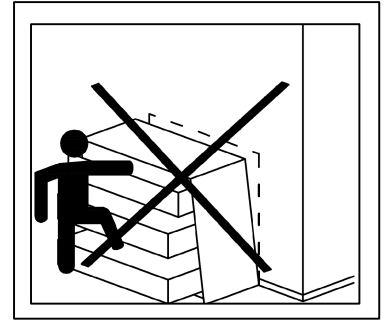
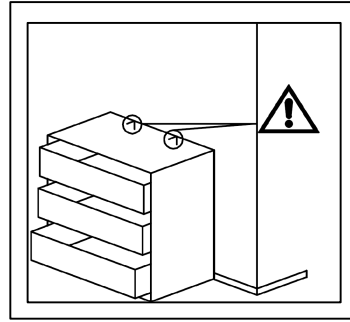


L BRACKET
2PCS

(D)



CABLE TIE
1PC



BACK VIEW

