

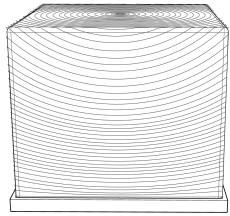
# 13743 Verino End Table

## Assembly instructions

### CAUTION:

Carefully remove all of the components from the packaging and set aside for assembly.  
Assemble on a soft surface to prevent scratching the finish.

### Packing list:



1 unit table

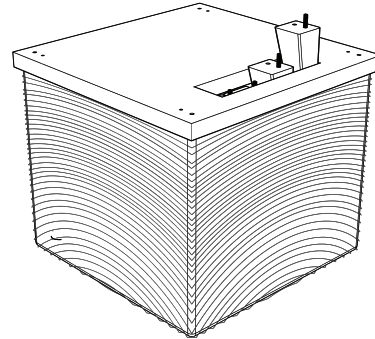


4 table legs

Note:  
Leg storage at compartment underside table.

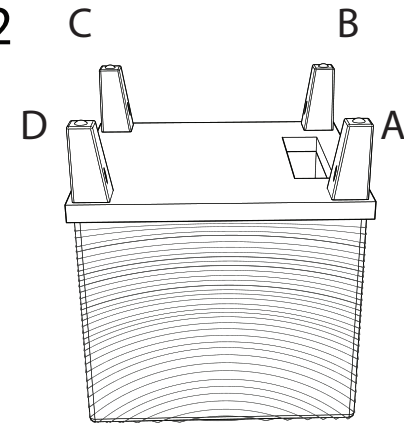
### Assembly Steps:

01



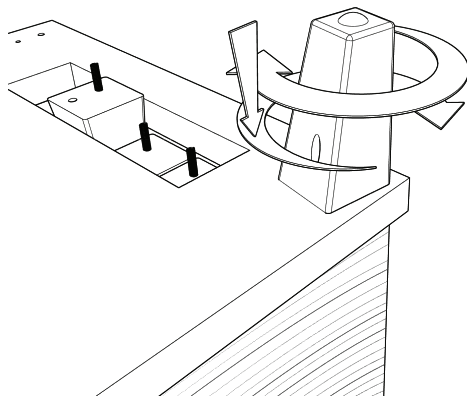
Turn table bottom side up onto soft, smooth surface then remove legs from compartment underside of table.

02



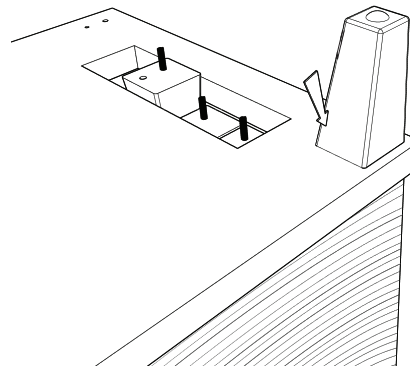
Attached each table leg onto each corner of the table.

03



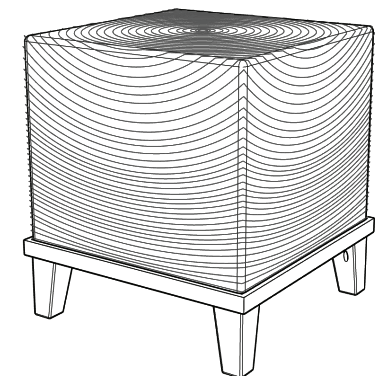
Install all four legs by turning clockwise into threaded insert.

04



Make sure 2 sides of tapered shape on each leg facing inside when leg completely tighten.

05



Assembly completed and enjoy your table. !