

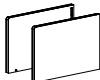
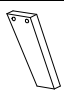

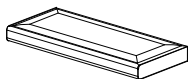
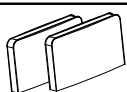
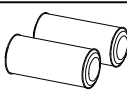
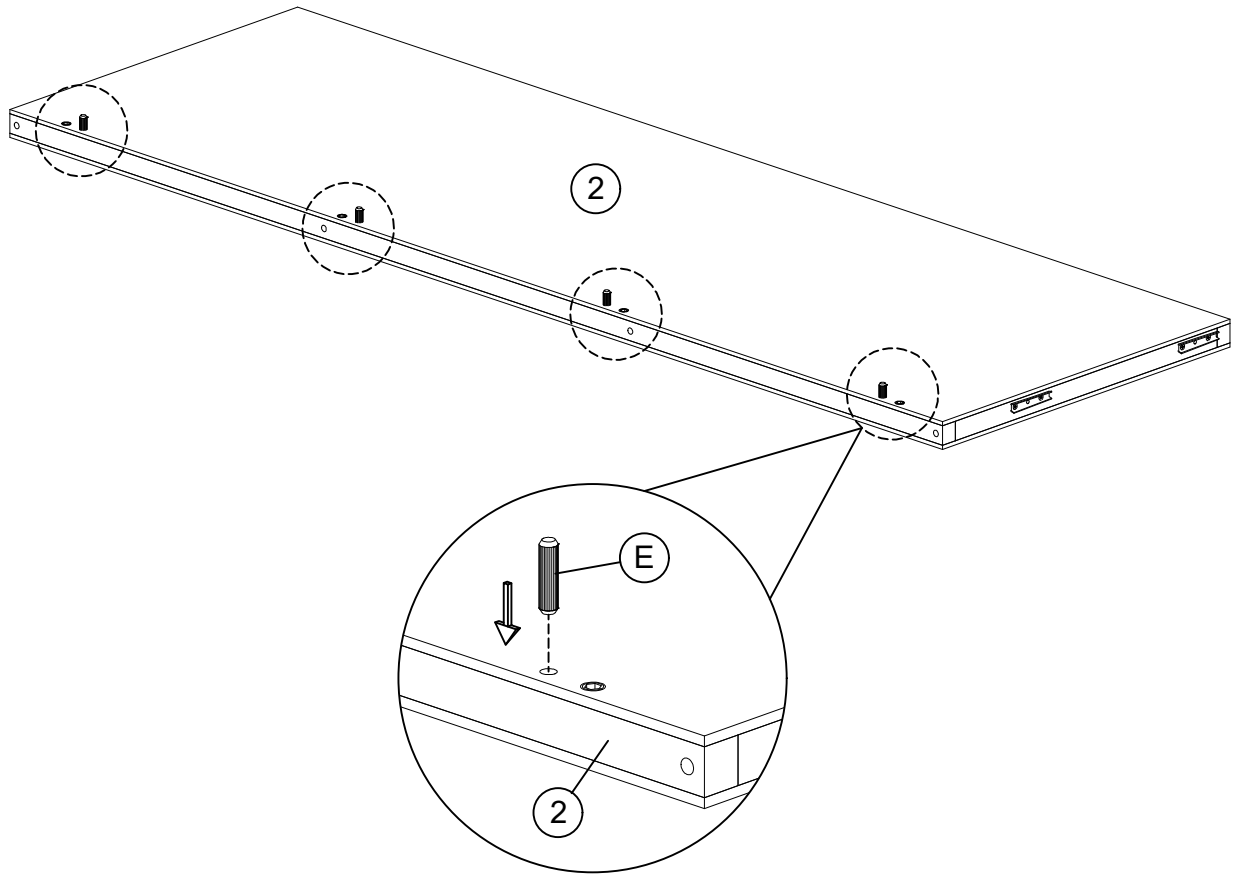


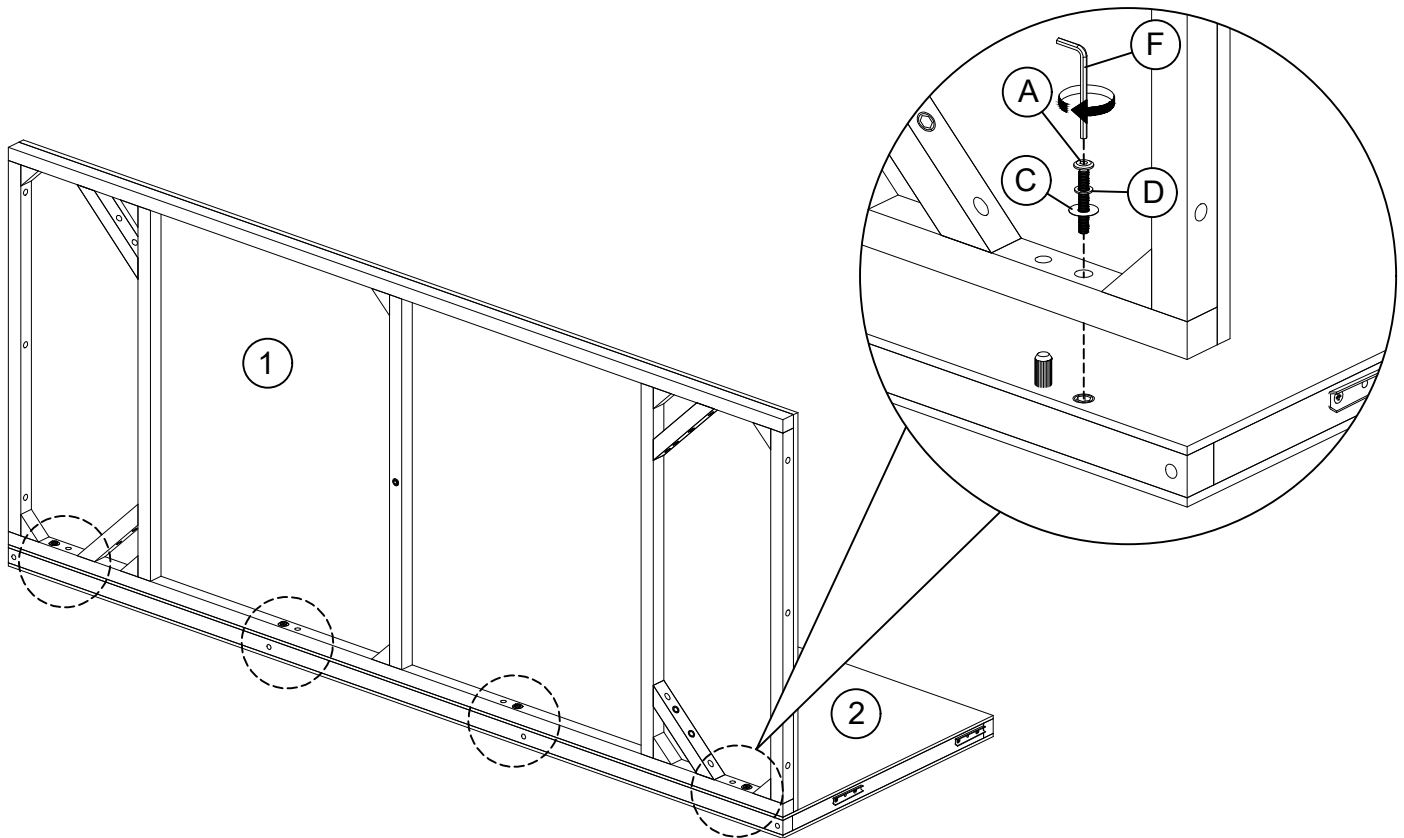
PART LIST			
Item	Description		QTY.
1		SEAT	1 Pc
2		BACKREST	1 Pc
3		HANDREST	2 Pcs
4		LEG	4 Pcs
5		CENTER LEG	1 Pc
6		SEAT CUSHION	1 Pc
7		BACKREST CUSHION	2 Pcs
8		PILLOW	2 Pcs

HARDWARE LIST			
Item	Description		QTY.
A		JCBC BOLT M8 X 45MM	10 Pcs
B		JCBC BOLT M8 X 60MM	8 Pcs
C		M8 Flat Washer	18 Pcs
D		M8 Spring Washer	18 Pcs
E		Wood Dowel	4 Pcs
F		M5 Allen Key	1 Pc

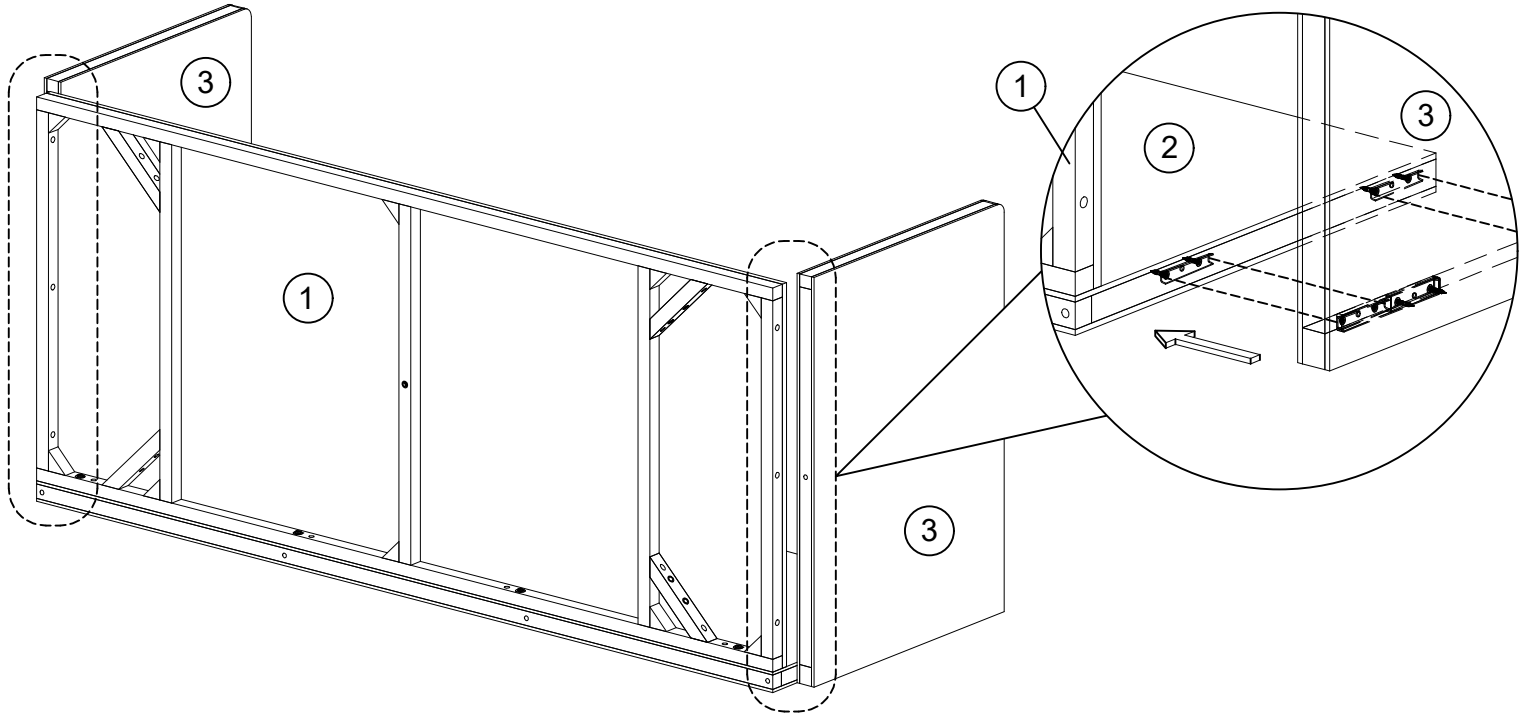
STEP 1



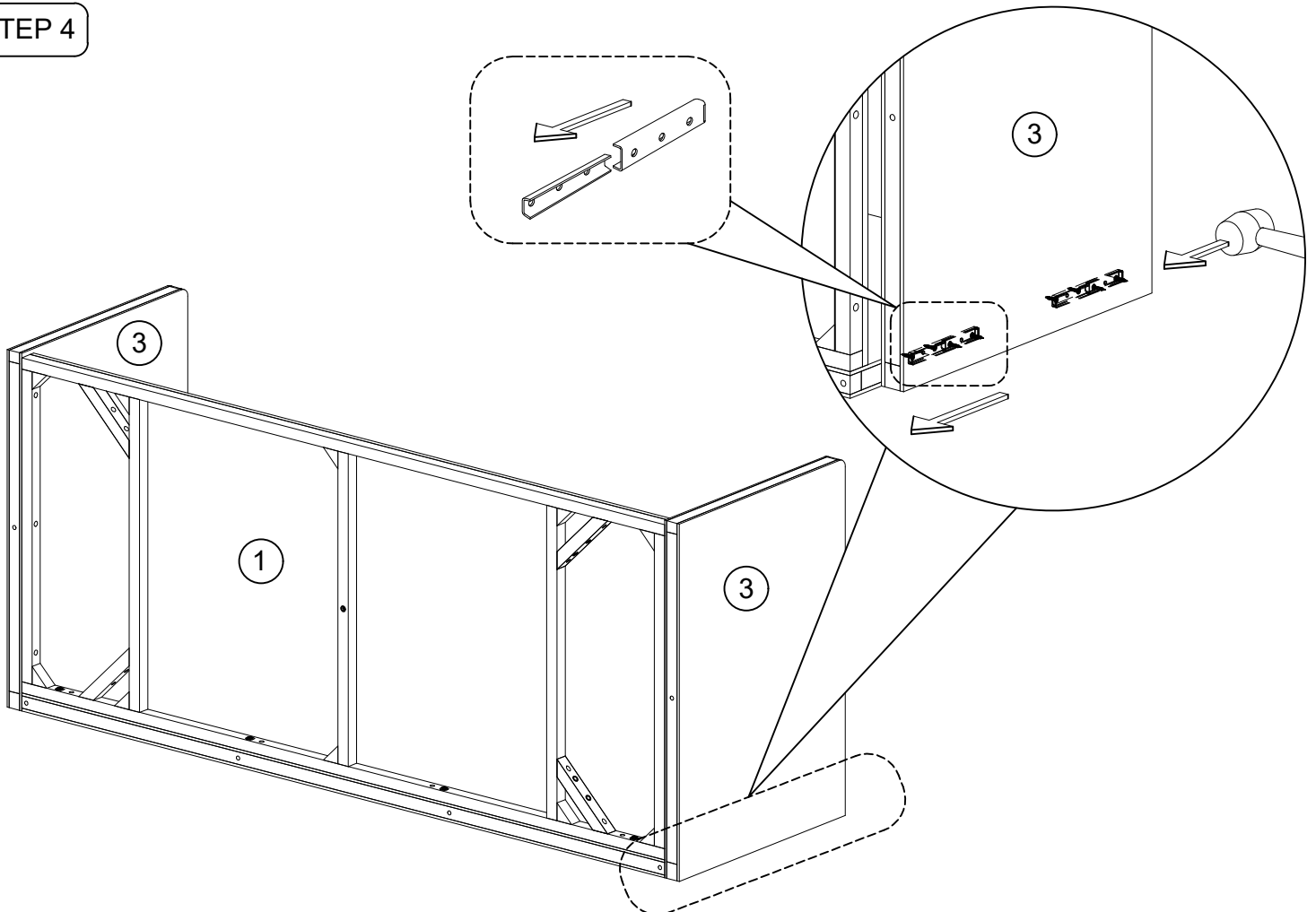
STEP 2



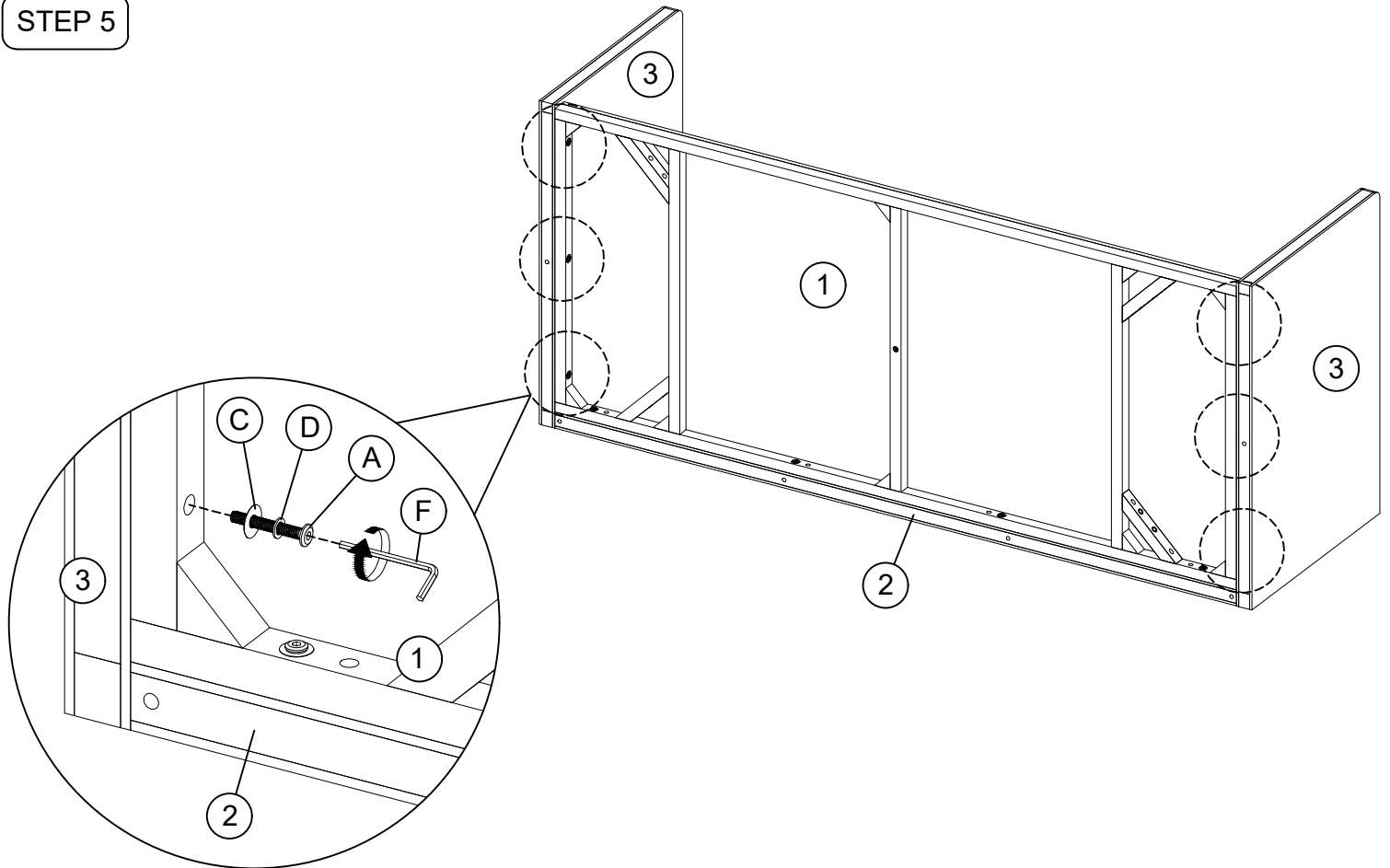
STEP 3



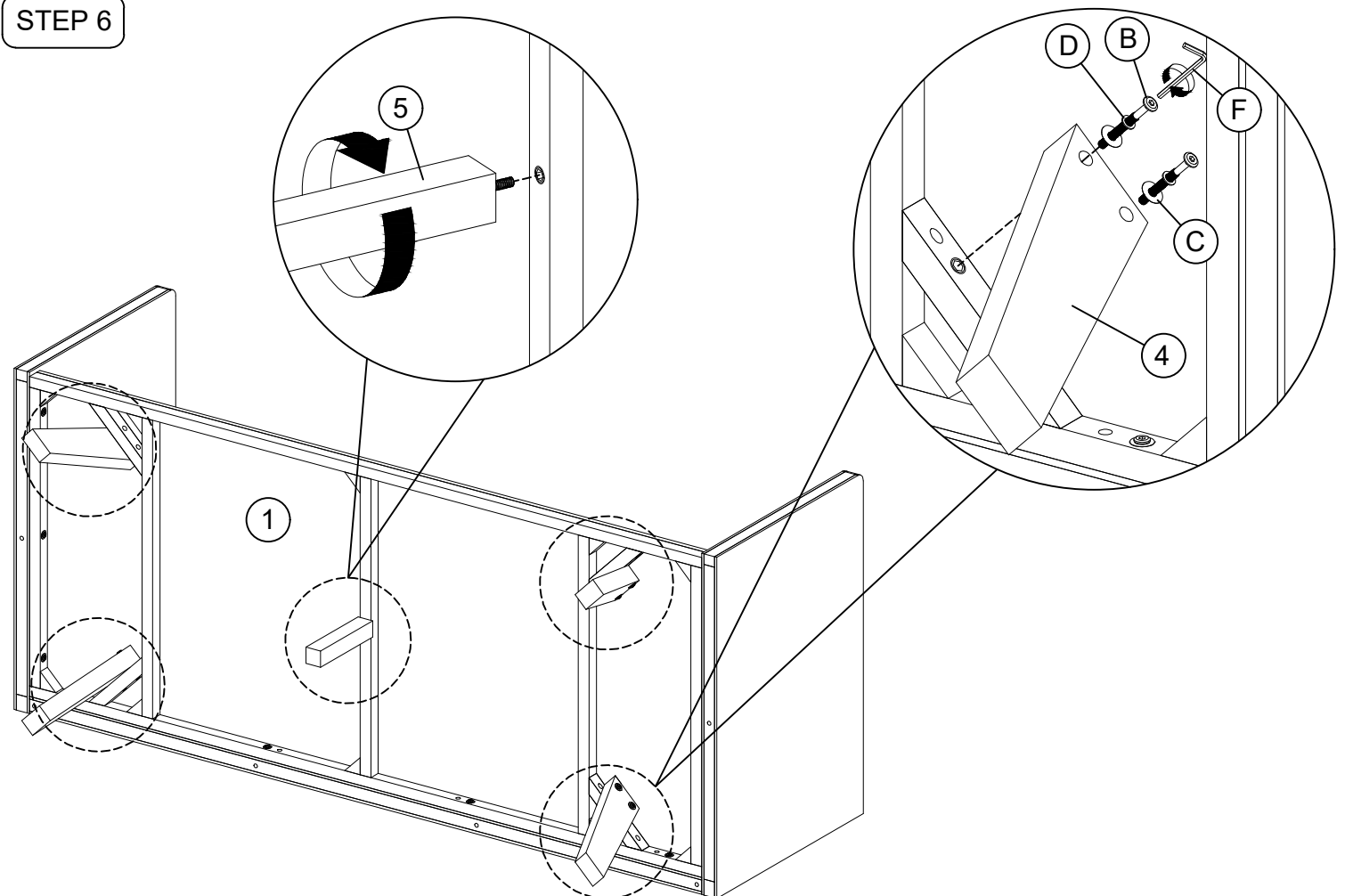
STEP 4



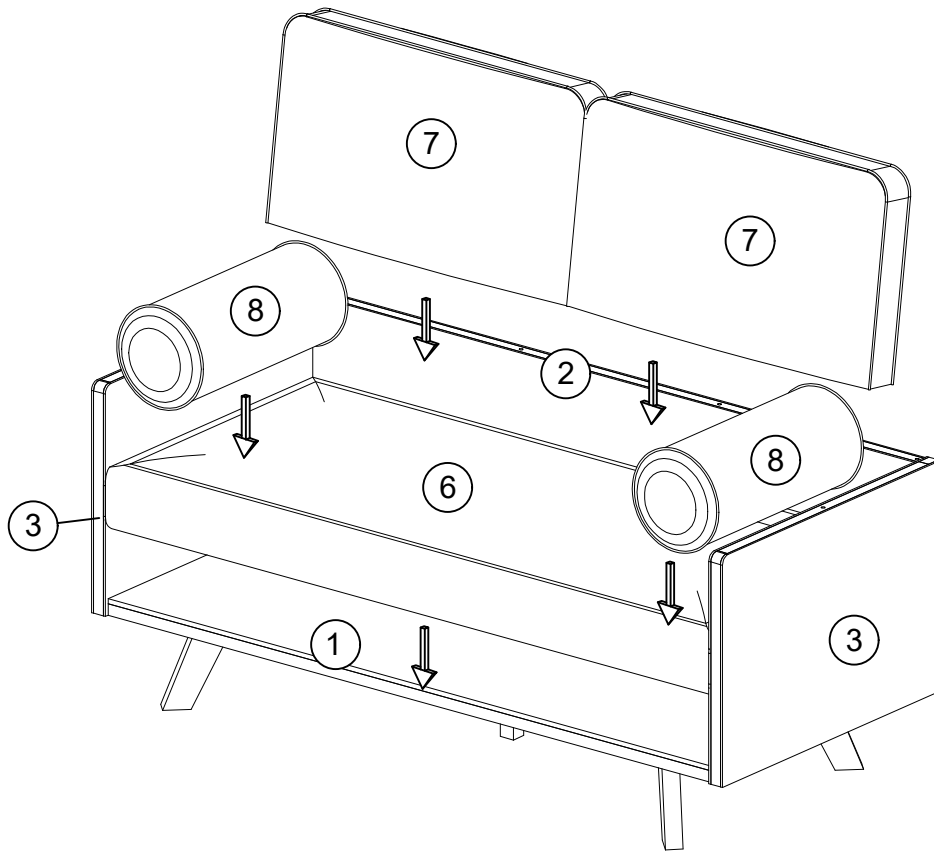
STEP 5



STEP 6



STEP 7



STEP 8

