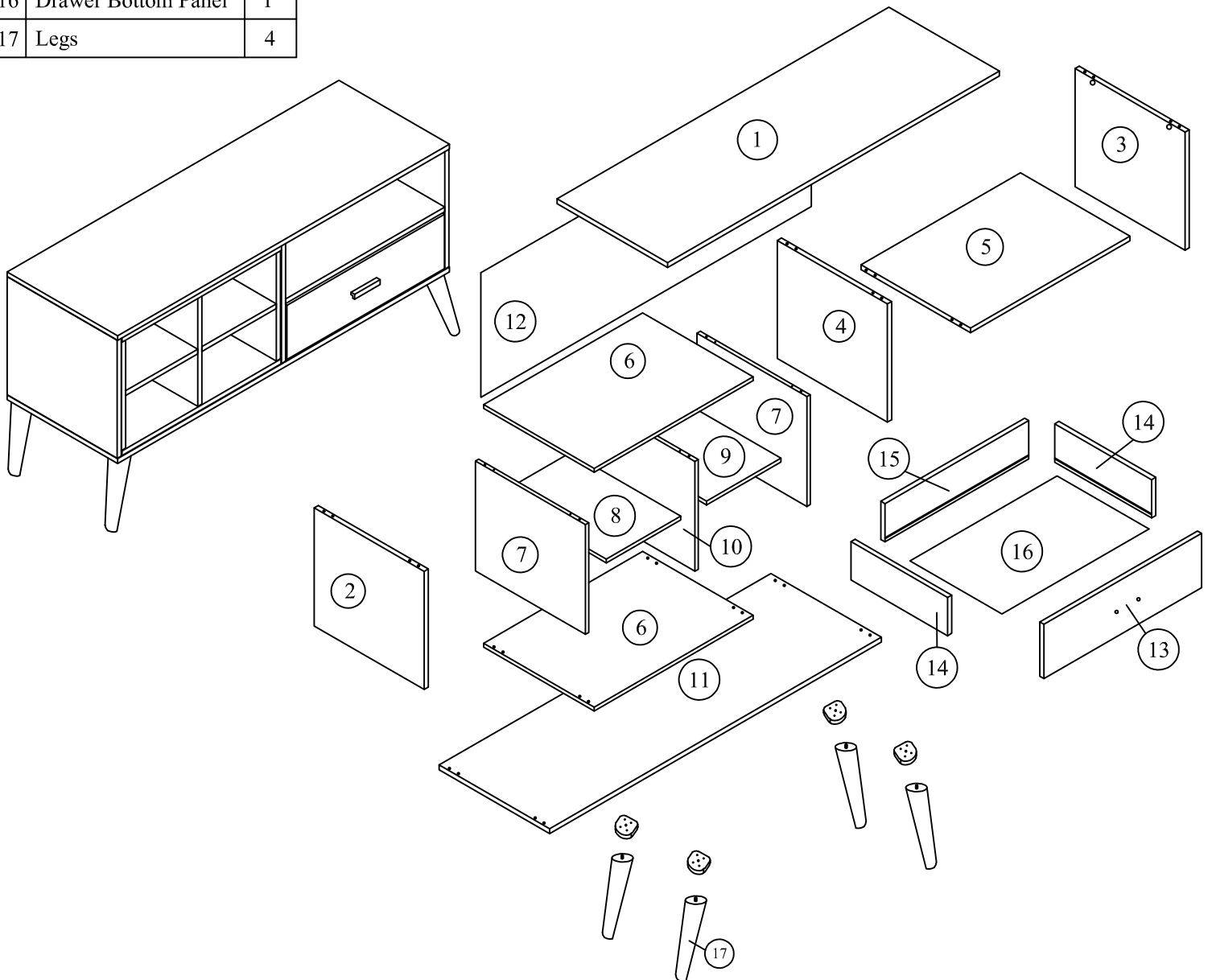


# Assembly Instructions

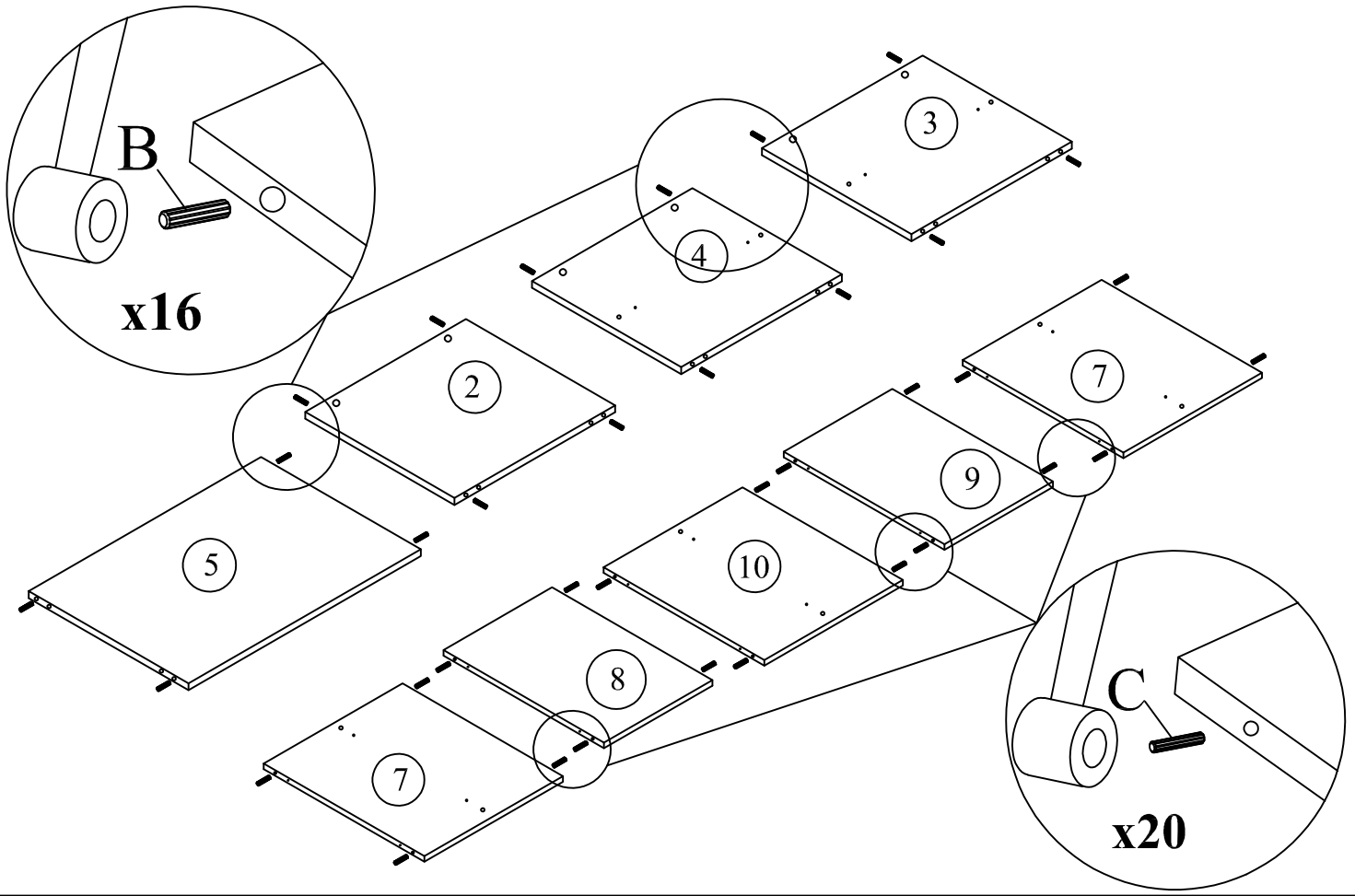
TV 8018

Part List		QTY
1	Top Panel	1
2	Left Side Panel	1
3	Right Side Panel	1
4	Middle Panel	1
5	Middle Rack Panel	1
6	Top/Bottom Inner Panel	2
7	Side Inner Panel	2
8	Left Inner Shelf	1
9	Right Inner Shelf	1
10	Middle Inner Panel	1
11	Bottom Panel	1
12	Back Panel	1
13	Drawer Front Panel	1
14	Drawer Side Panel	2
15	Drawer Back Panel	1
16	Drawer Bottom Panel	1
17	Legs	4

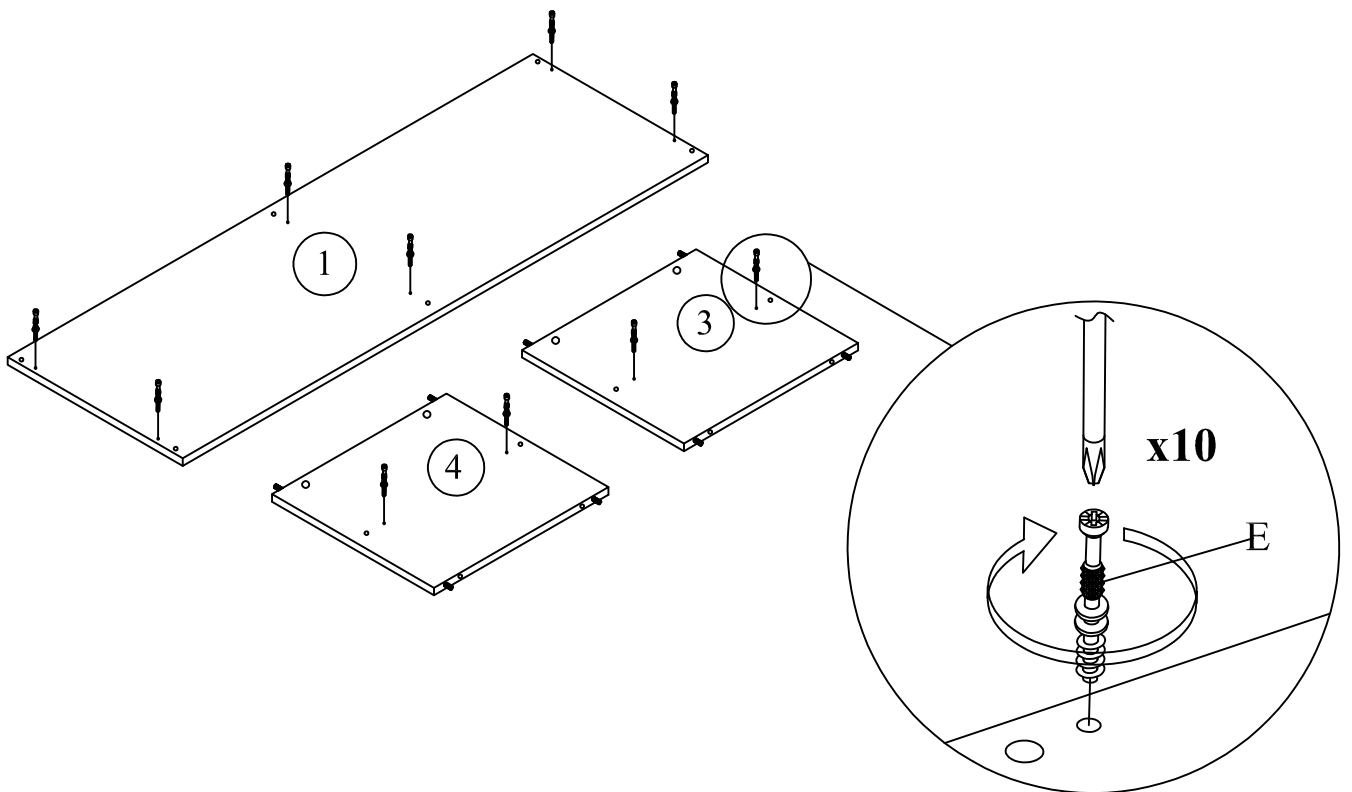
Hardware		QTY
A	Allen Key M4	1
B	Plastic Dowel	16
C	Wood Dowel	20
D	JCBC W Screw M6x40	6
E	Mini Fix Bolt	10
F	Mini Fix Housing	10
G	Mini Fix Cap	10
H	CSK Screw M4x20mm	16
I	CSK Screw M3.5x16mm	12
J	CSK Screw M4x50mm	26
K	Drawer Slider	1
L	Handle Screw	2
M	Nail	36
N	Mounting Leg	4
O	Handle	1



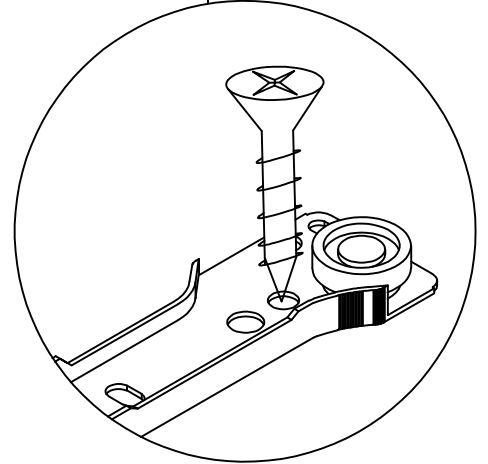
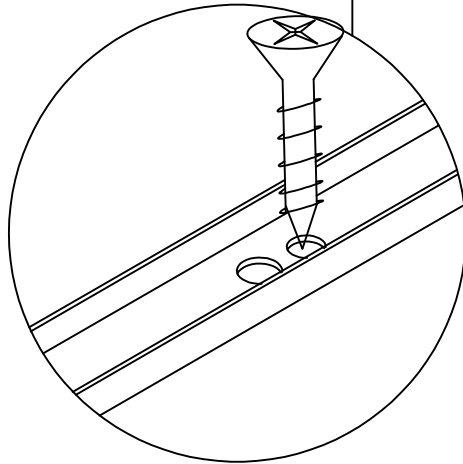
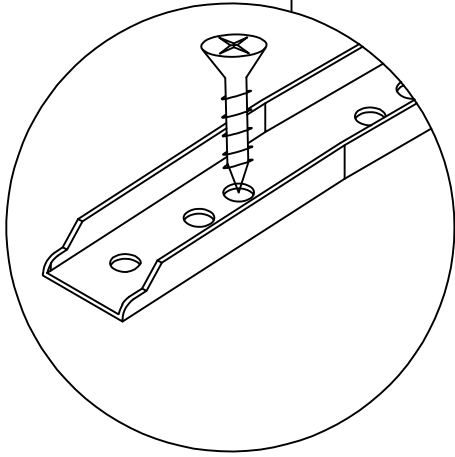
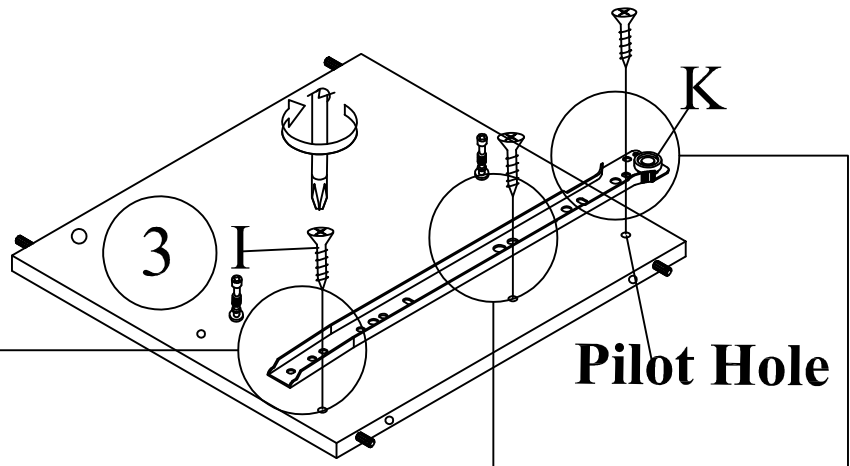
# Step 1



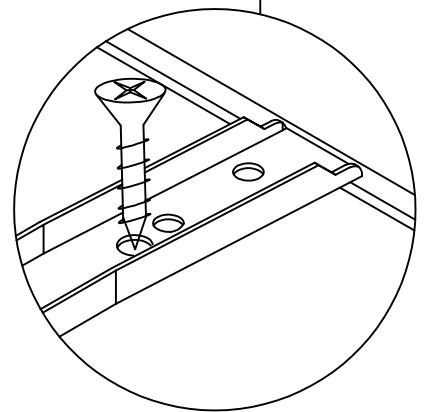
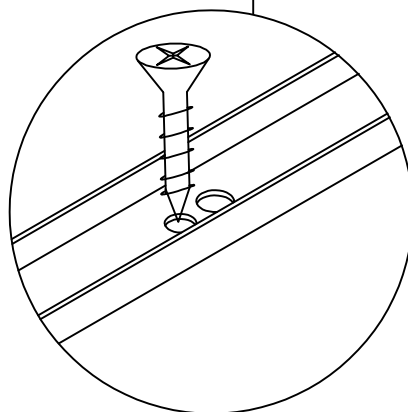
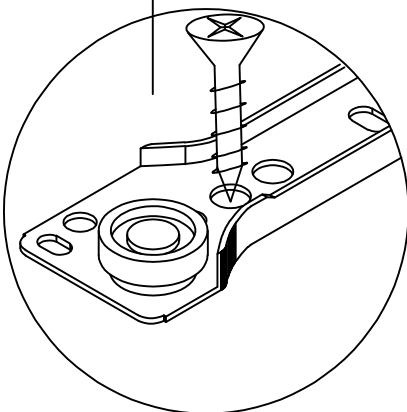
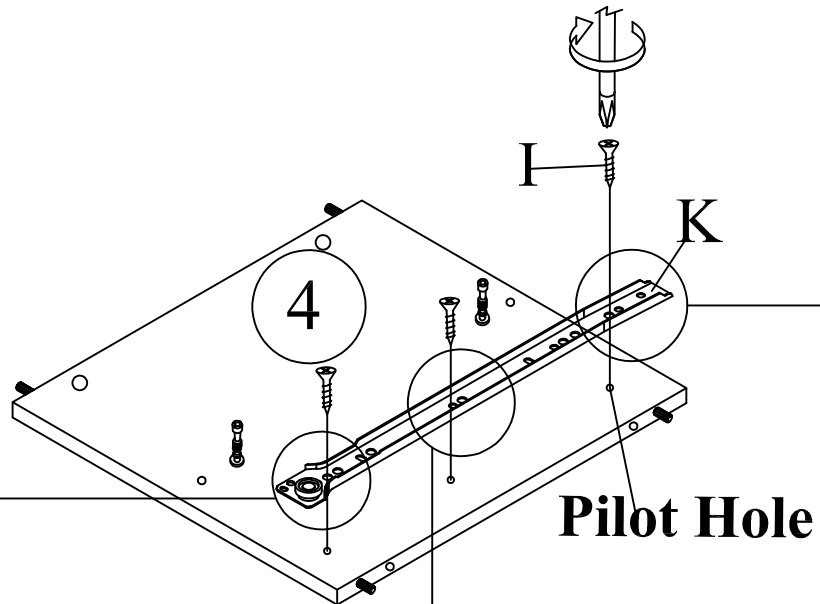
# Step 2



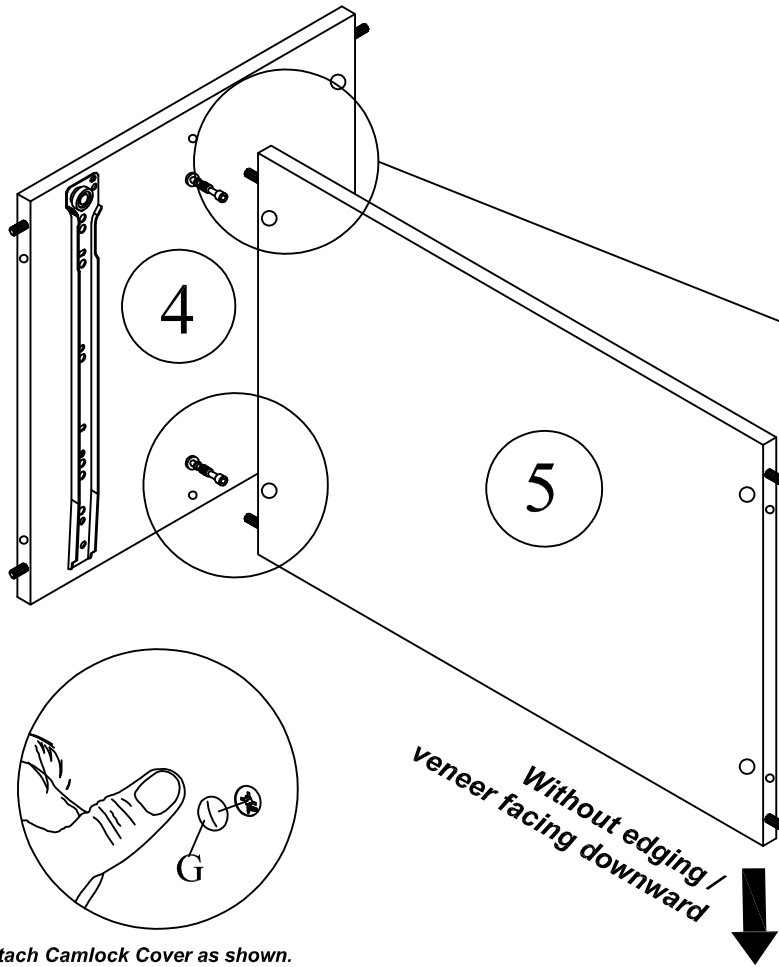
### Step 3



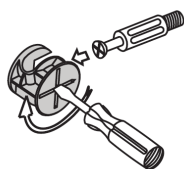
### Step 4



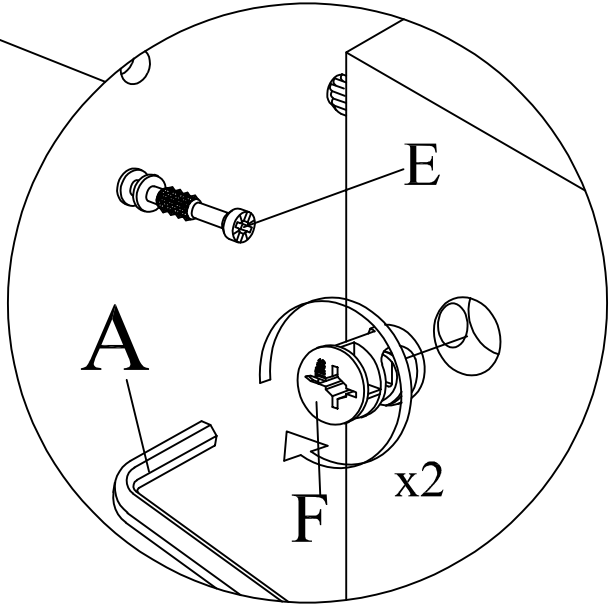
# Step 5



This is how a mini fix works...



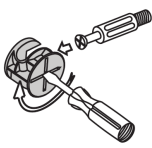
The head of the mini fix housing goes into the open mouth of the mini fix bolt. You then turn the mini fix housing so it tightens over the mini fix bolt.



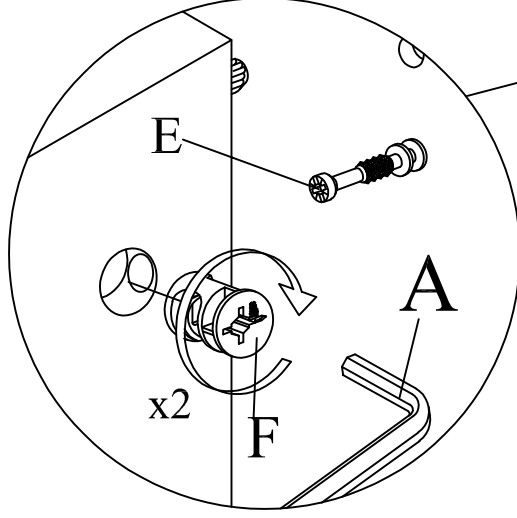
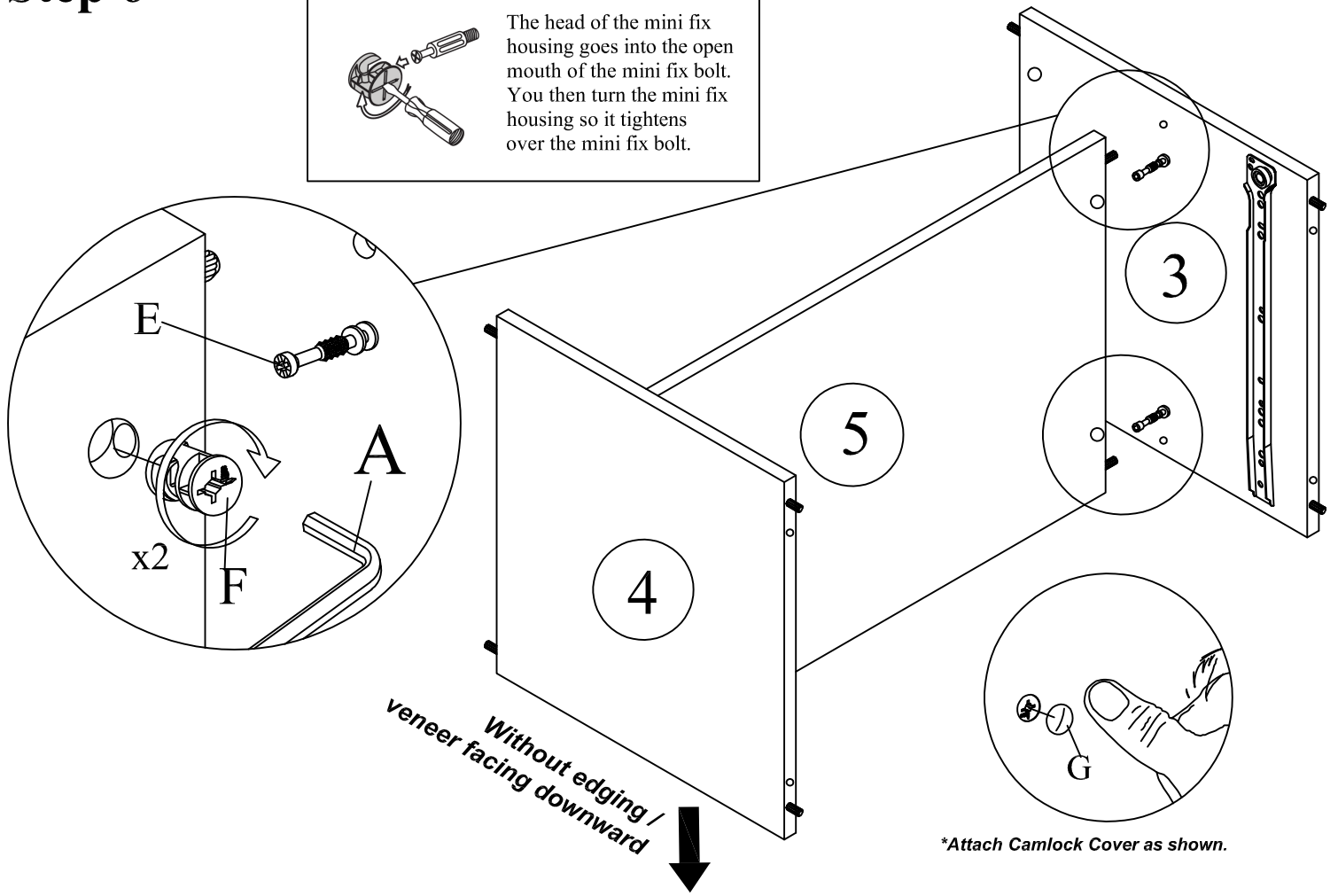
\*Attach Camlock Cover as shown.

# Step 6

This is how a mini fix works...

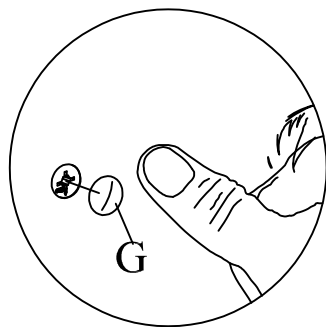
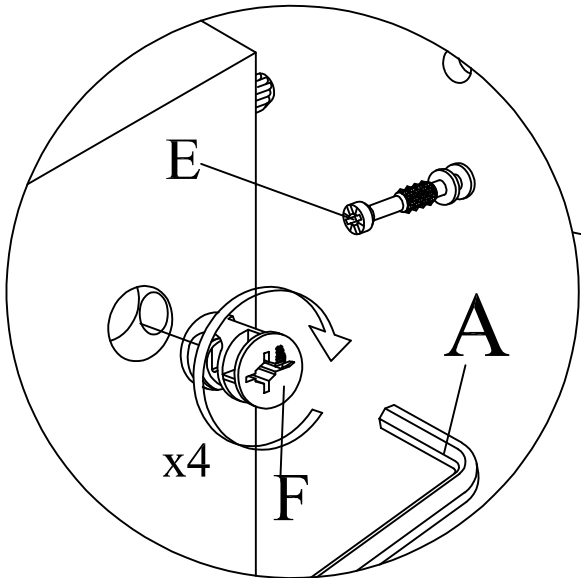


The head of the mini fix housing goes into the open mouth of the mini fix bolt. You then turn the mini fix housing so it tightens over the mini fix bolt.

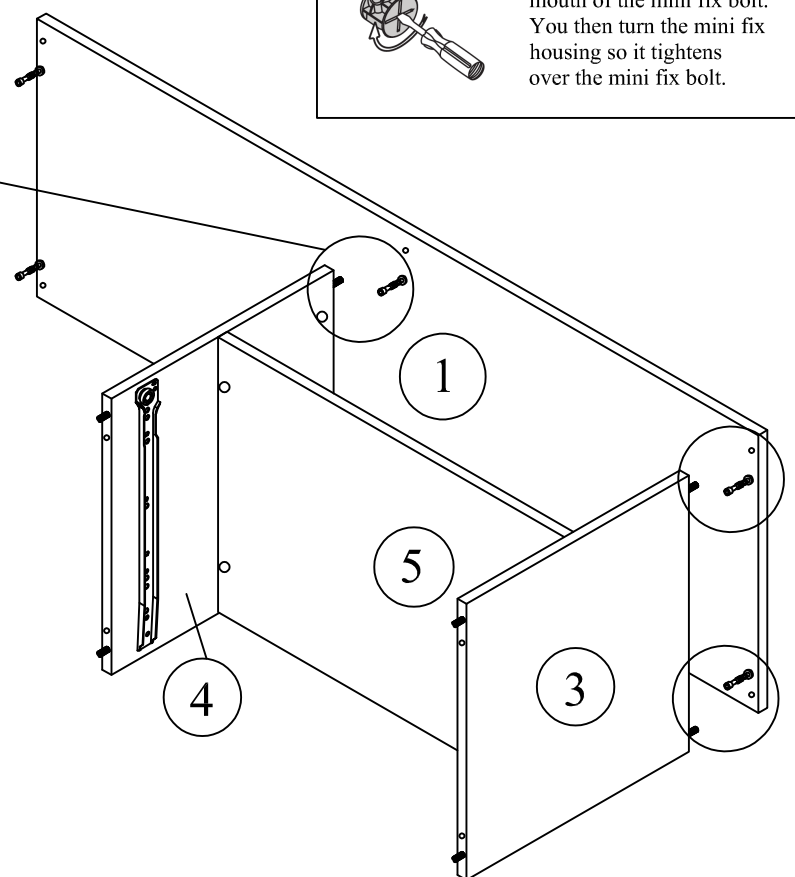


\*Attach Camlock Cover as shown.

# Step 7

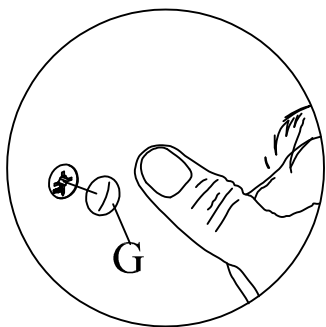
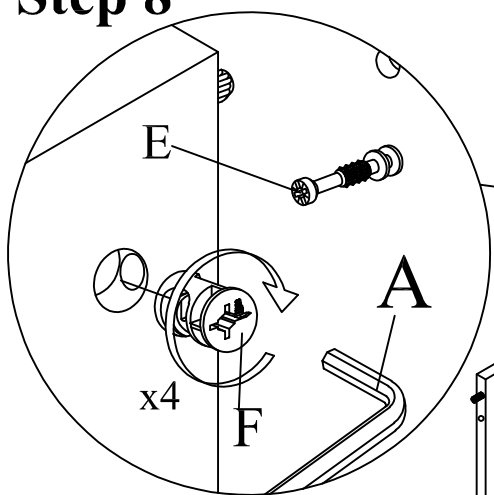


This is how a mini fix works...  
The head of the mini fix housing goes into the open mouth of the mini fix bolt. You then turn the mini fix housing so it tightens over the mini fix bolt.

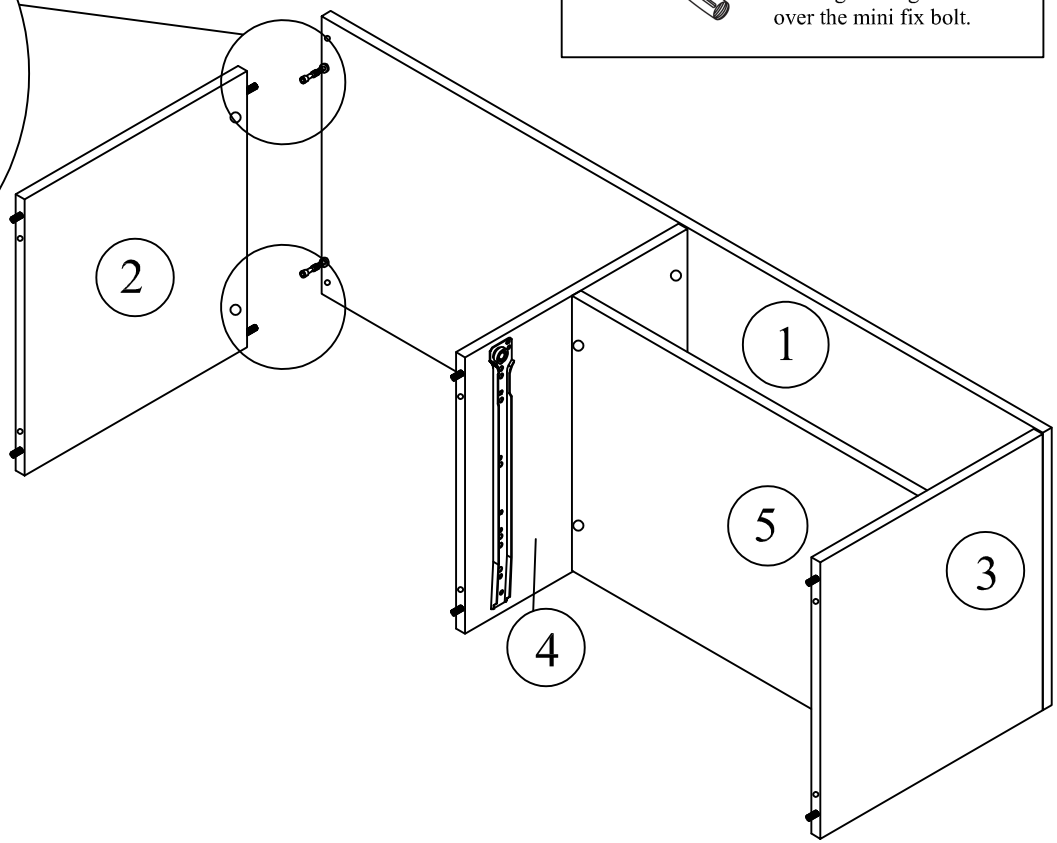


*\*Attach Camlock Cover as shown.*

# Step 8

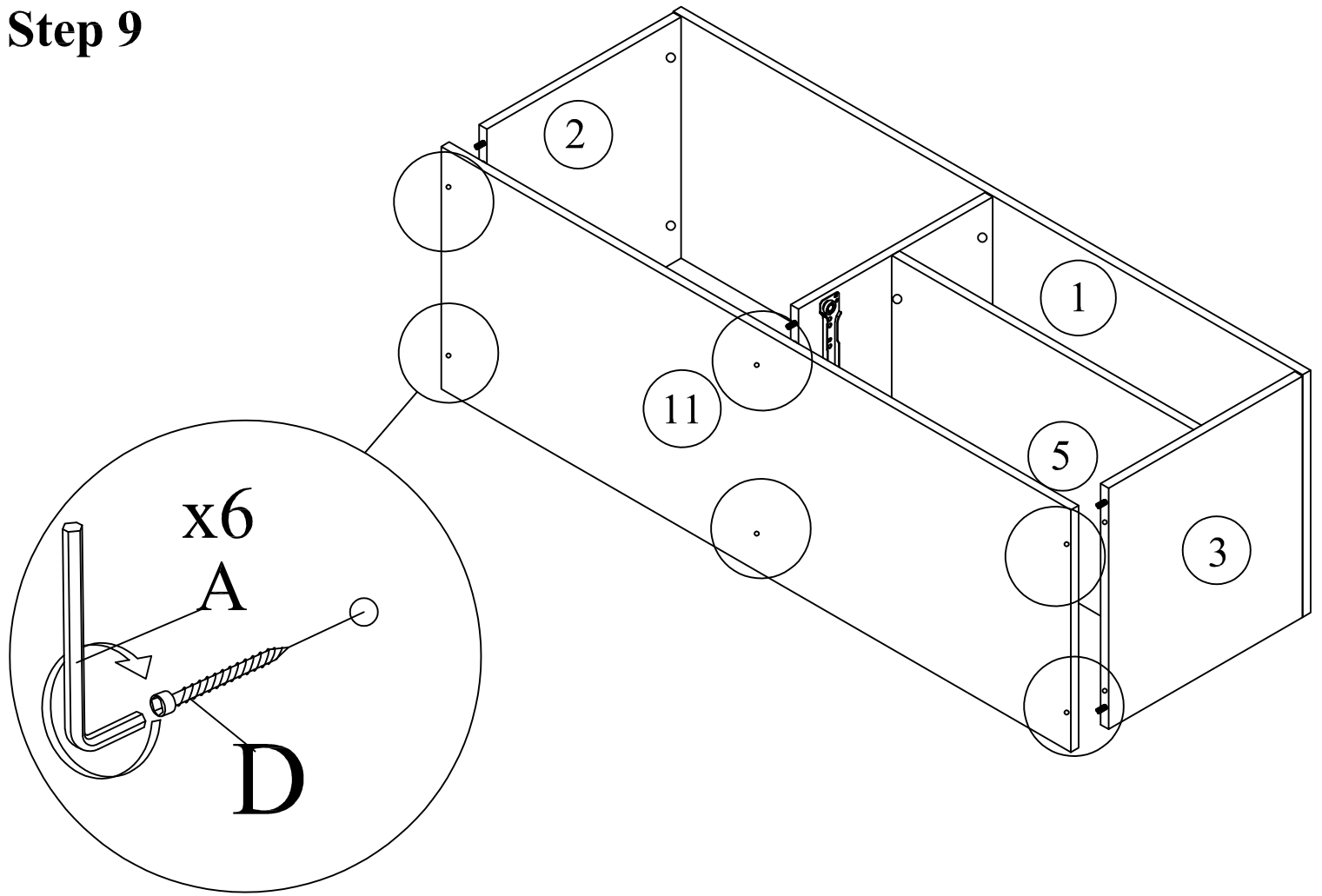


This is how a mini fix works...  
The head of the mini fix housing goes into the open mouth of the mini fix bolt. You then turn the mini fix housing so it tightens over the mini fix bolt.

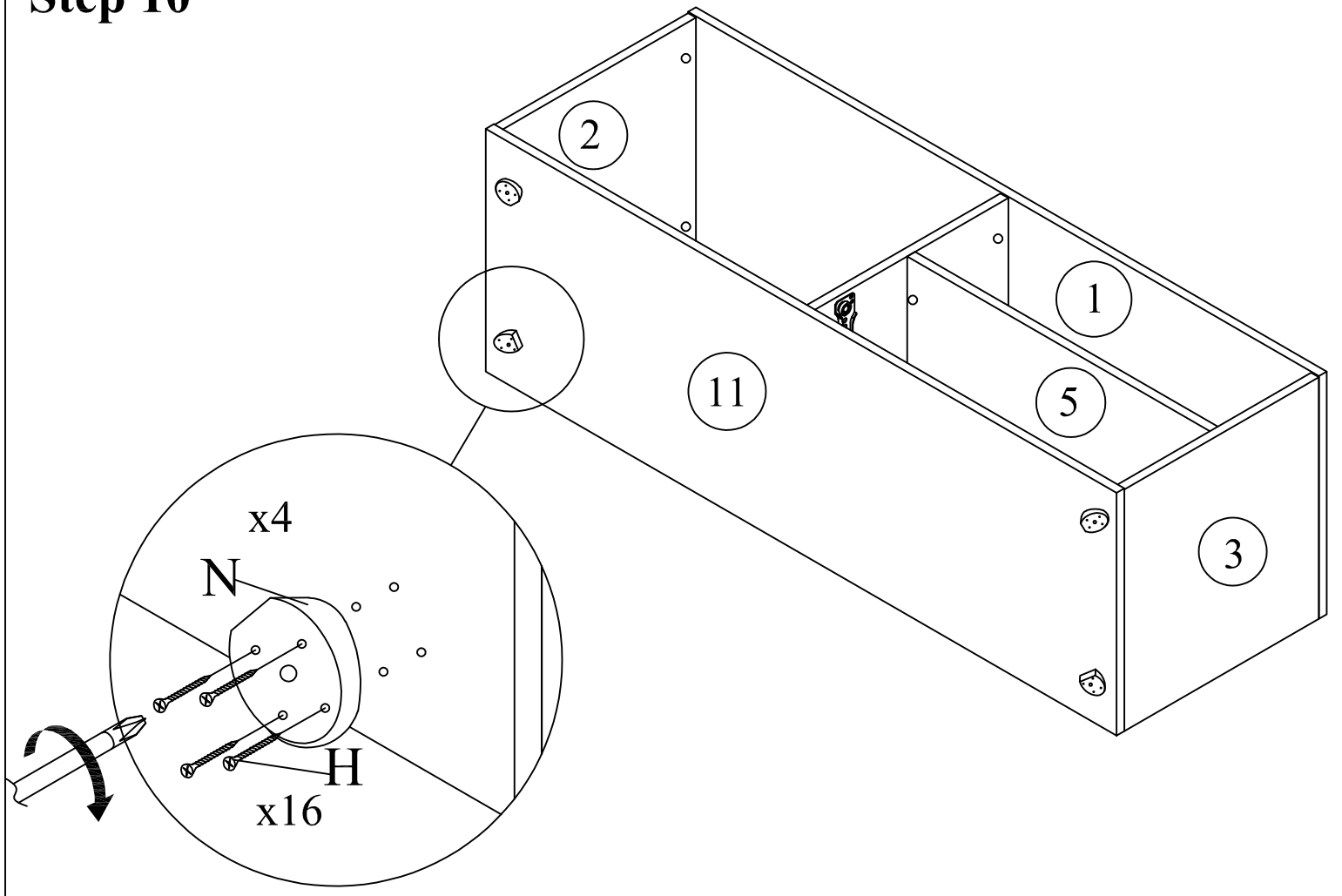


*\*Attach Camlock Cover as shown.*

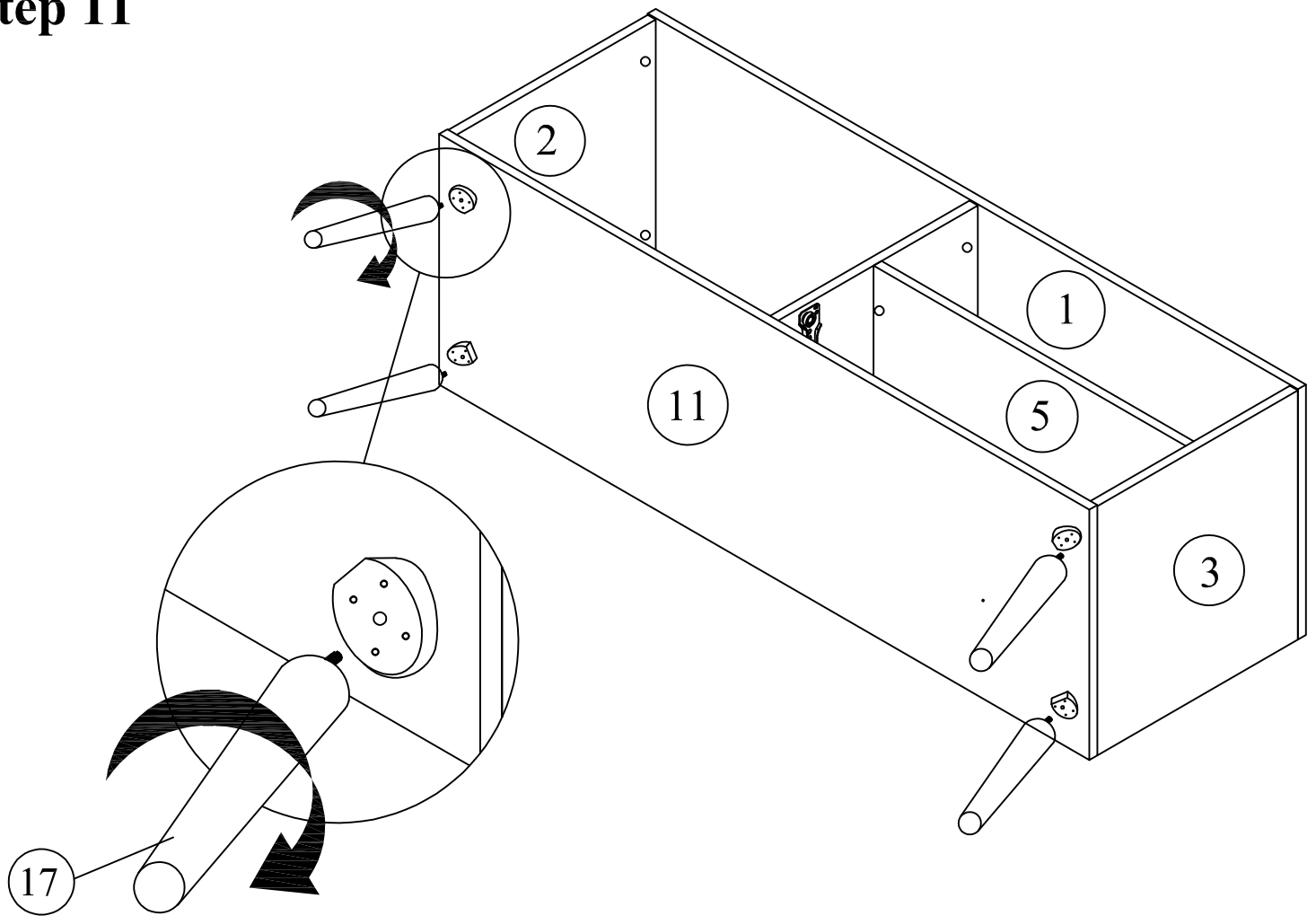
## Step 9



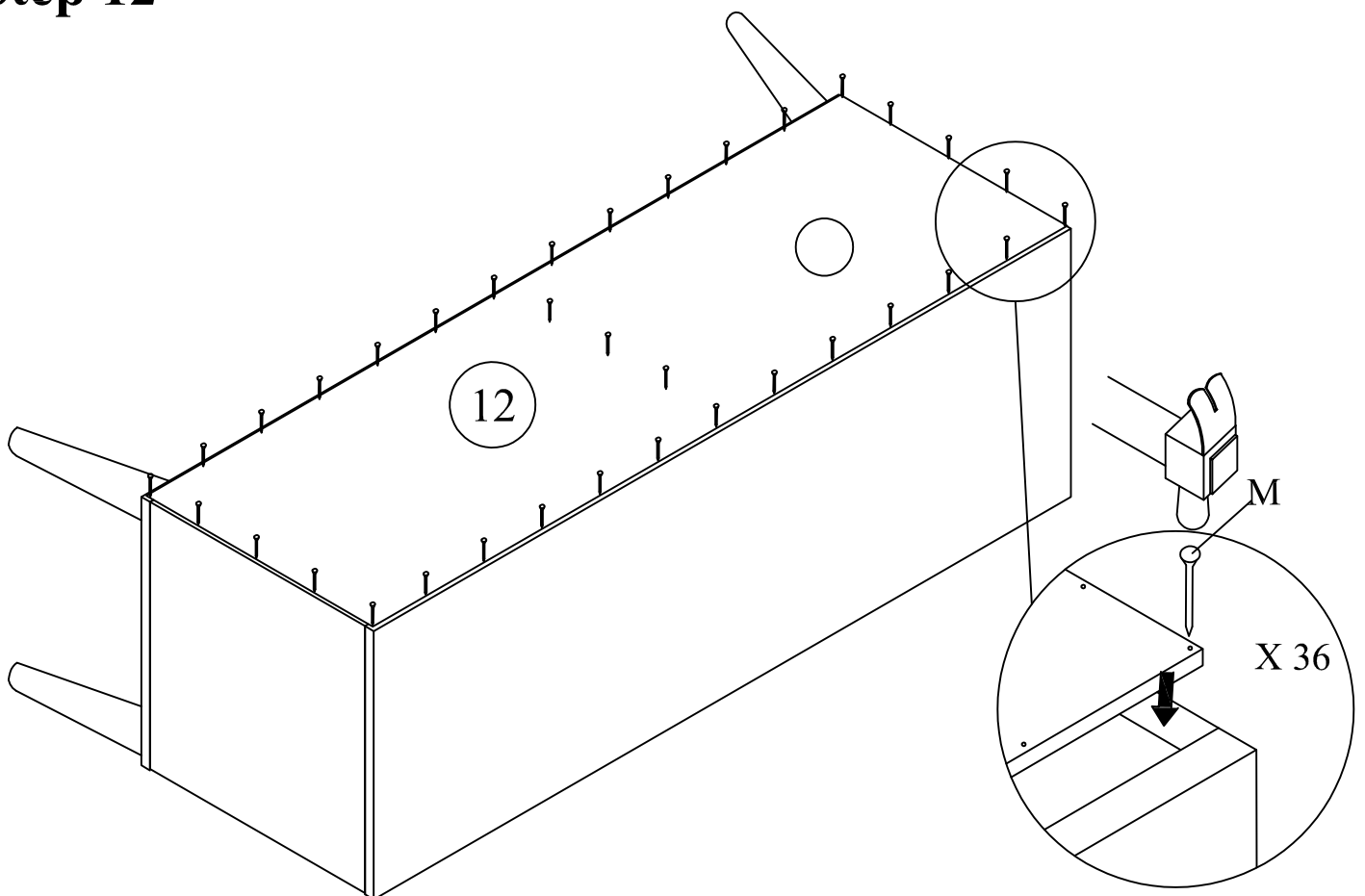
## Step 10



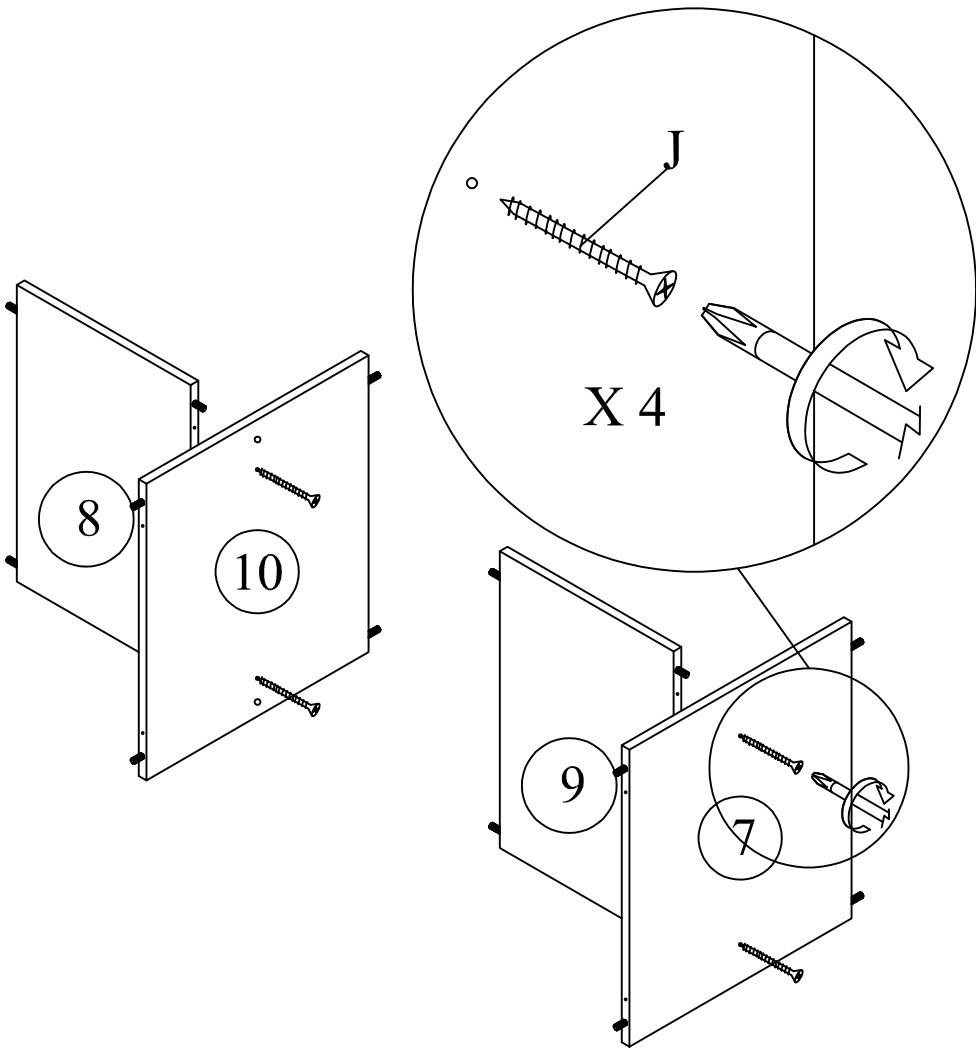
## Step 11



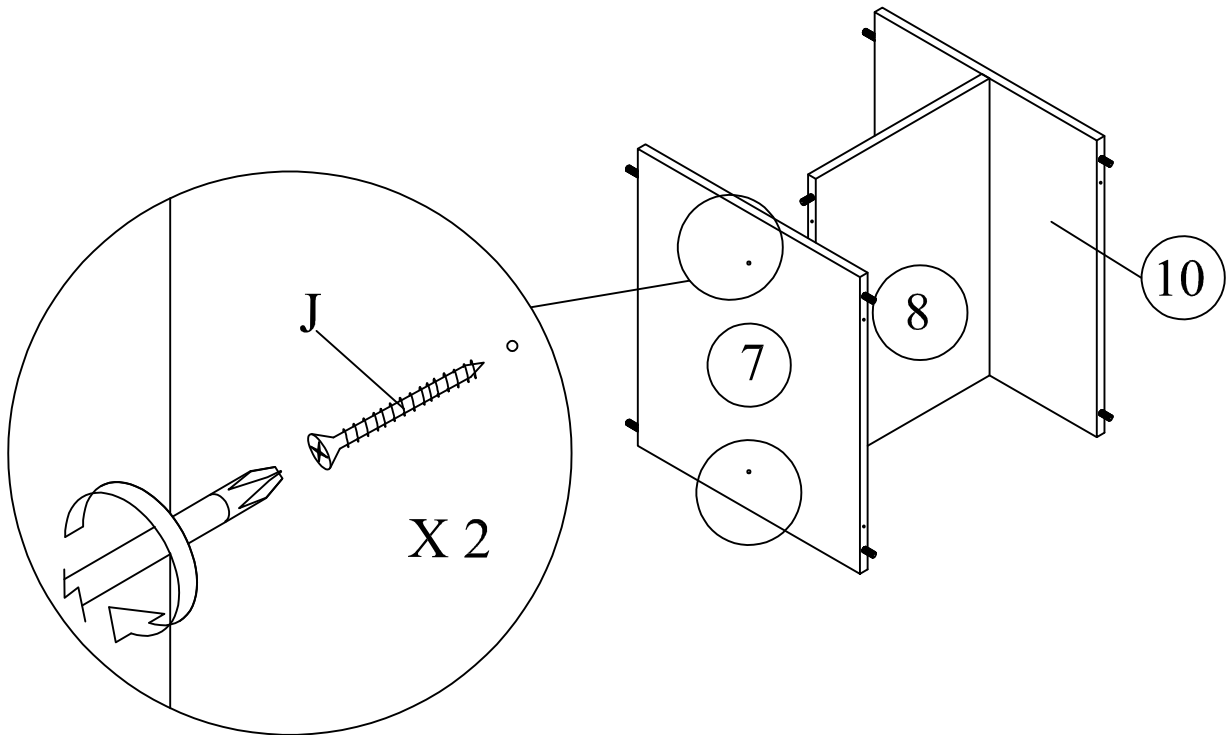
## Step 12



# Step 13

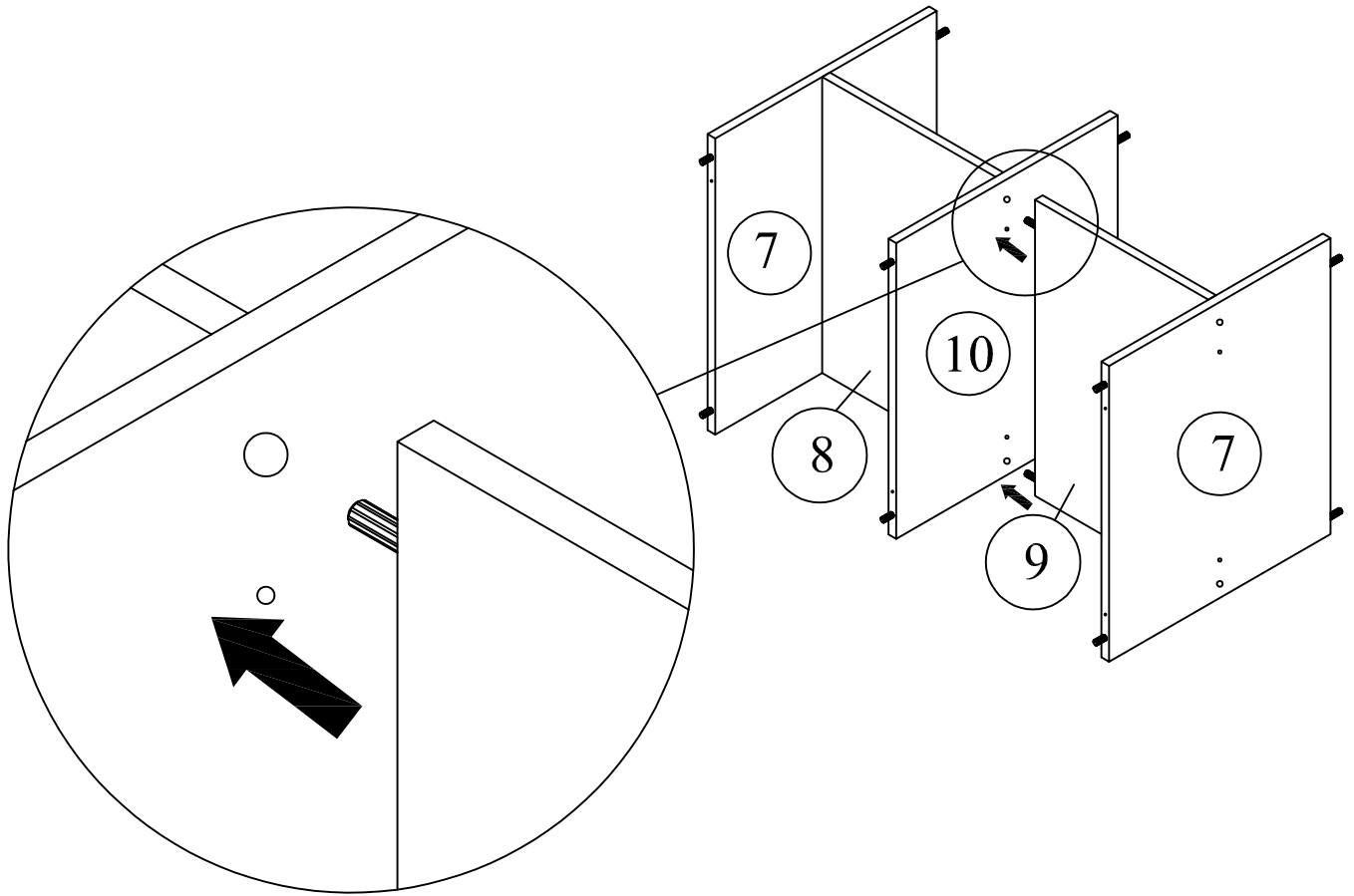


# Step 14

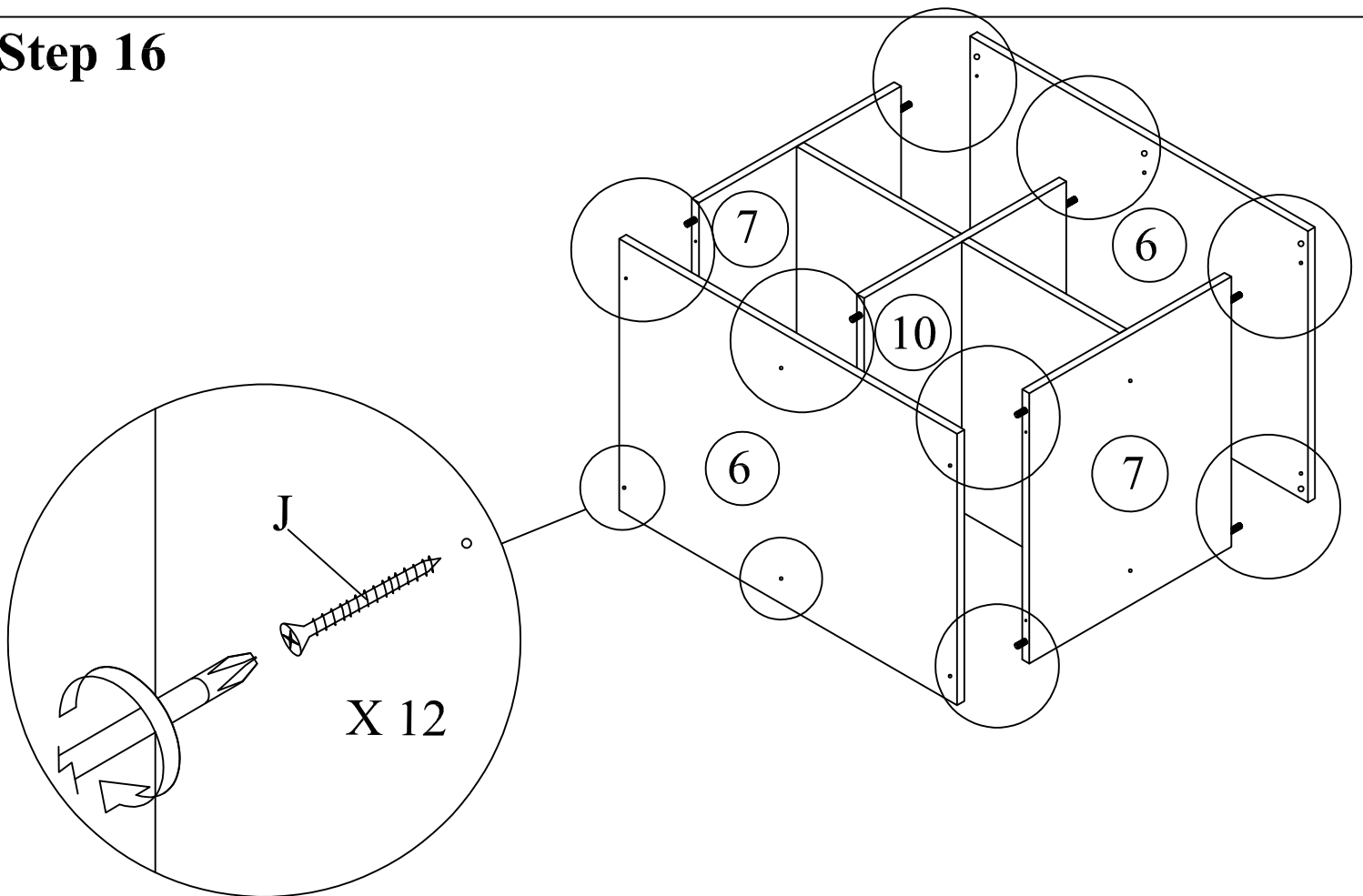




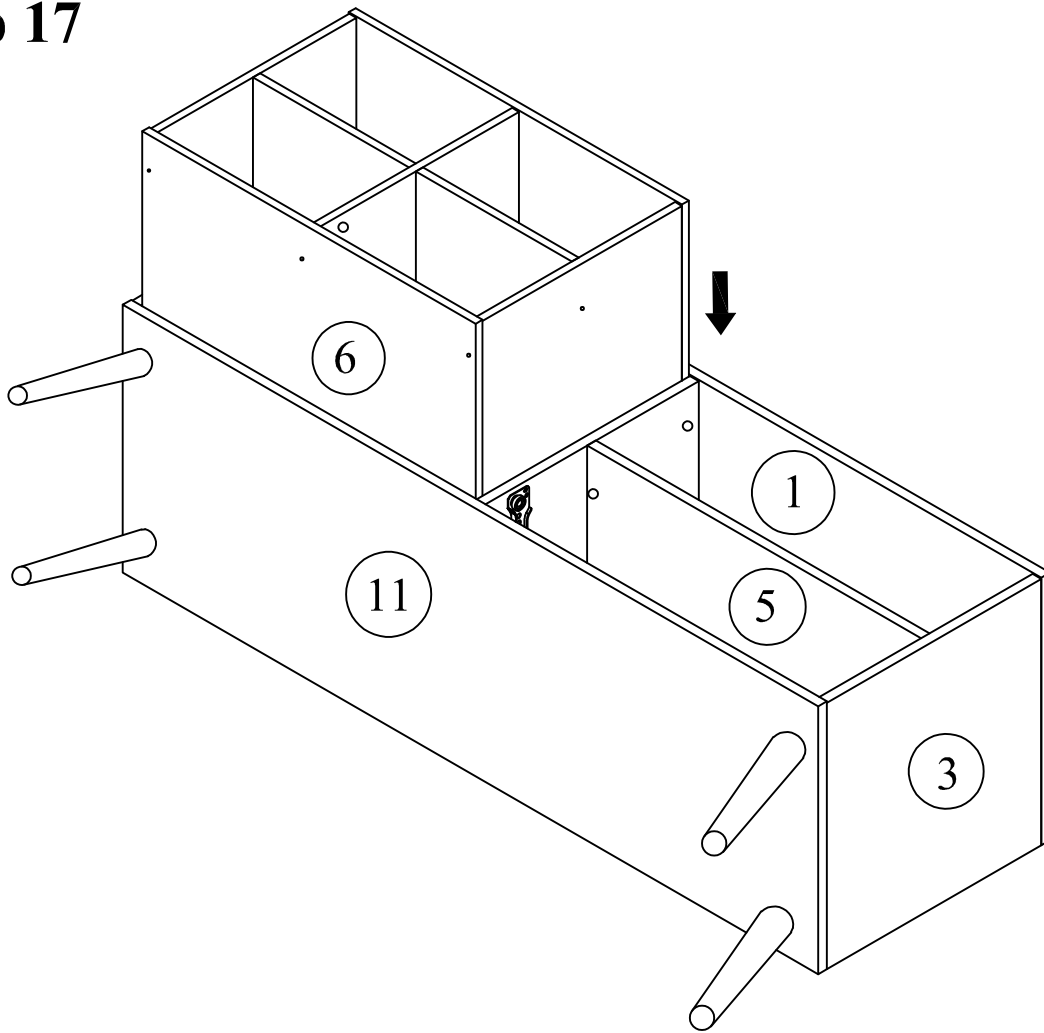
# Step 15



# Step 16

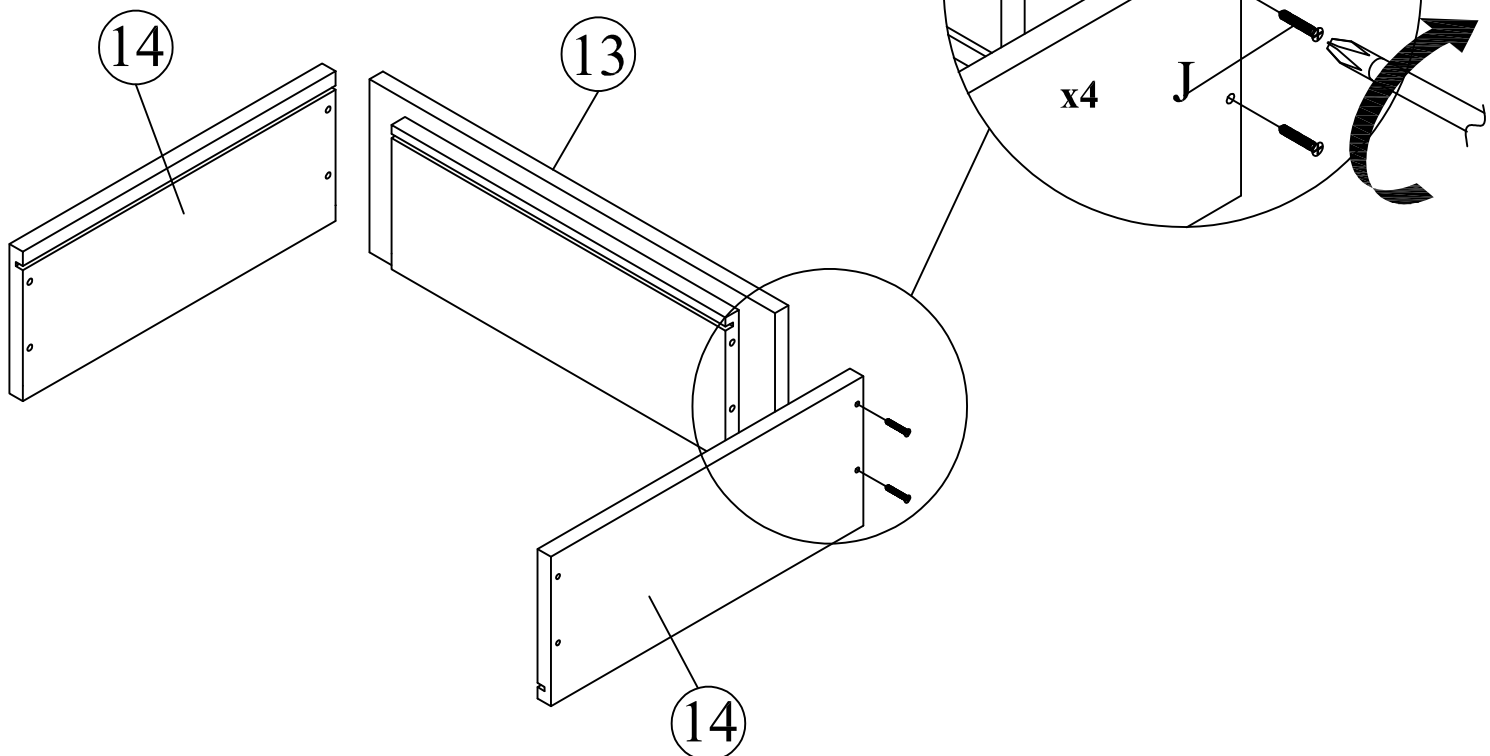


## Step 17



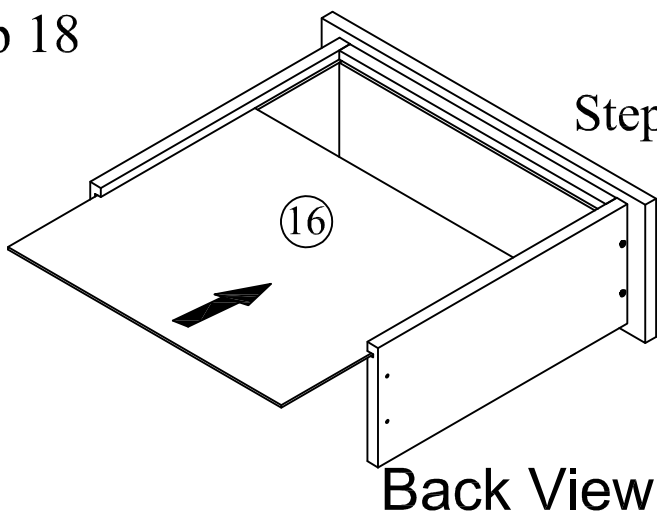
## Step 18

### Step 18.1

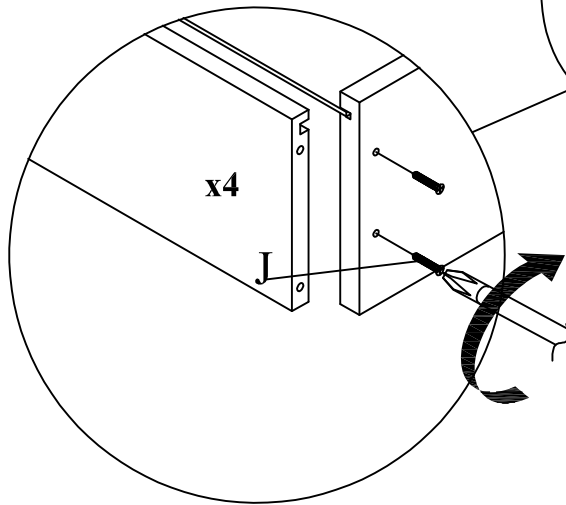
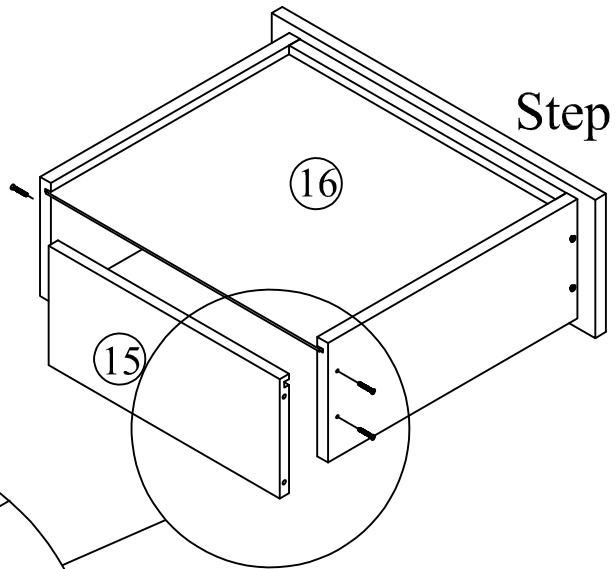


# Step 18

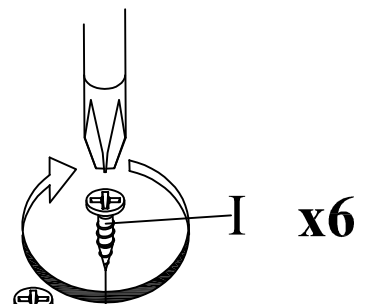
## Step 18.2



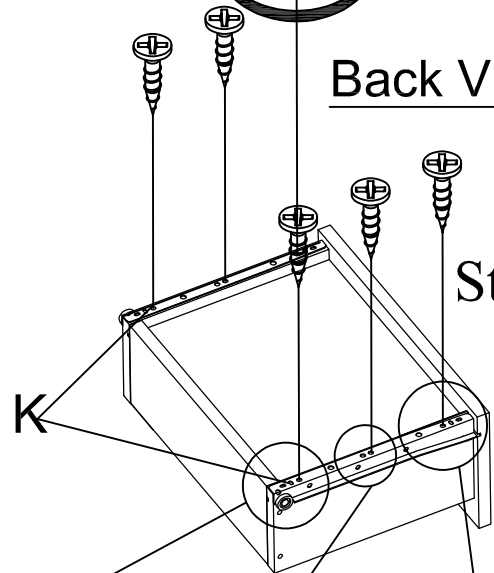
## Step 18.3



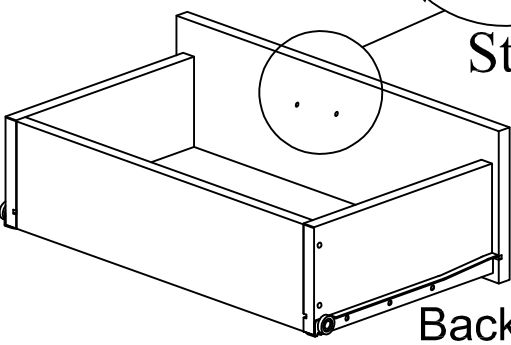
## Back View



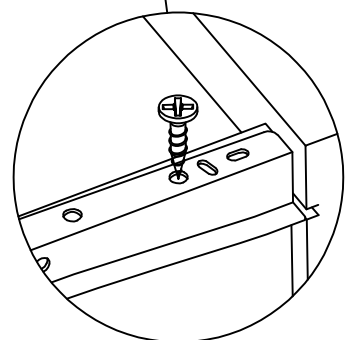
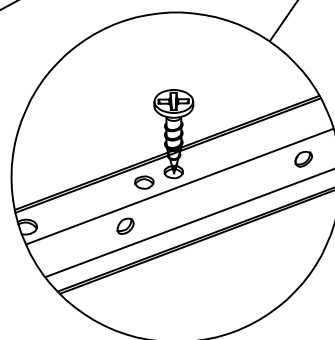
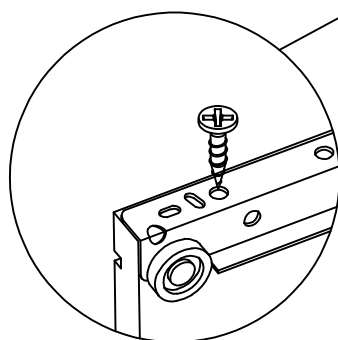
## Step 18.4



## Step 18.5



## Back View



# Step 19

