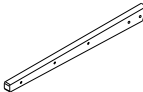
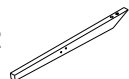
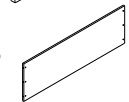

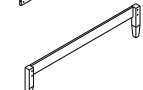
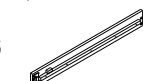
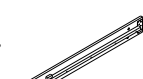
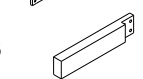

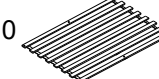
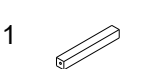


# SW 8522 - F/Q/K










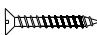

## WARNING!!

- Remove hardware from box and sort by size.
- Please check to see that hardware and parts are present prior start of assembly.
- Please follow attached instruction in the same sequence numbered to ensure fast and easy assembly.
- Do not use this bed if any part is broken, torn or missing.
- The assembly of this product requires two people.
- Do not use any power tools as this may damage the frame and will invalidate any claim.

## PART LIST

P1		Headboard Upper Post =	L-1pc = R-1pc
P2		Headboard Lower Post =	L-1pc = R-1pc
P3		Headboard Panel =	1pc
P4		Headboard Bottom Rail =	1pc
P5		Footboard =	1pc
P6		Side Rail =	L-1pc = R-1pc
P7		Side Rail (HOLE) =	L-1pc = R-1pc
P8		Support Side Leg =	2pcs
P9		Center Rail =	2pcs
P10		Bed Slats =	16pcs
P11		Support Leg =	4pcs

## HARDWARE LIST

A		M6 X 60MM JCBC =	6pcs
B		M6 X 50MM JCBC =	4pcs
C		M6 X 40MM JCBC =	6pcs
D		M6 X 30MM JCBC =	10pcs
E		M8 X 16MM JCBB =	8pcs
F		BARREL NUT =	10pcs
G		ALLEN KEY M4 =	1pc
H		ALLEN KEY M5 =	1pc
I		M4 X 25MM SCREW =	8pcs
J		ADJUSTER =	6pcs
K		M6 X 80MM JCBC =	4pcs



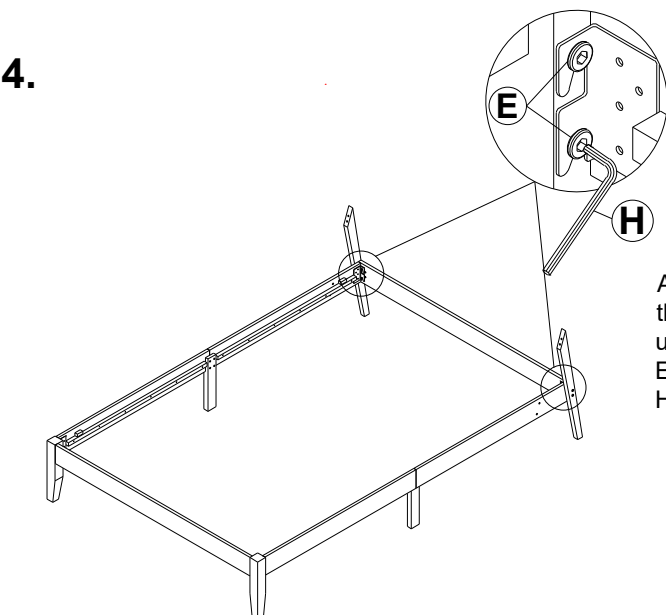
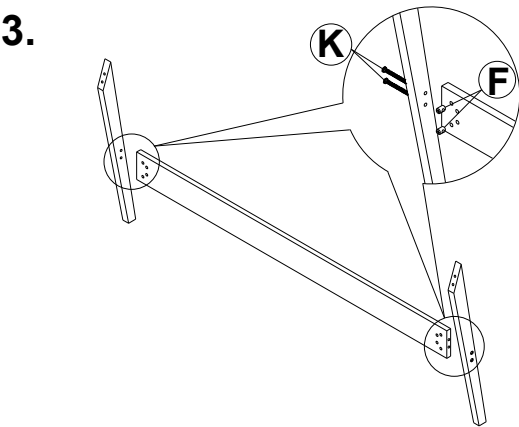
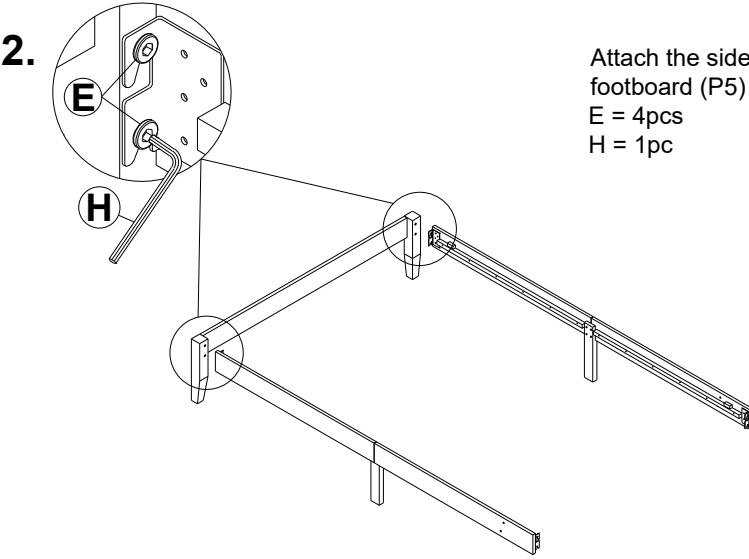
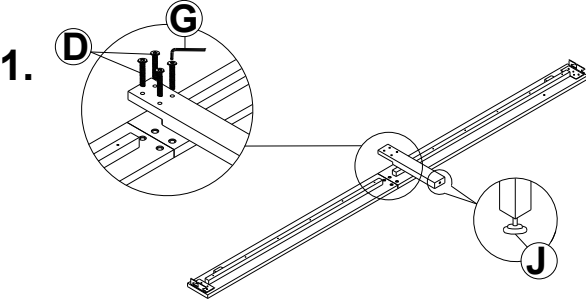
Fix the adjuster (J) to the support side leg (P8) using hardware:  
J = 2pcs

Attach the support side leg (P8) to the side rail (P6) and side rail hole (P7) using hardware:  
D = 8pcs  
G = 1pc

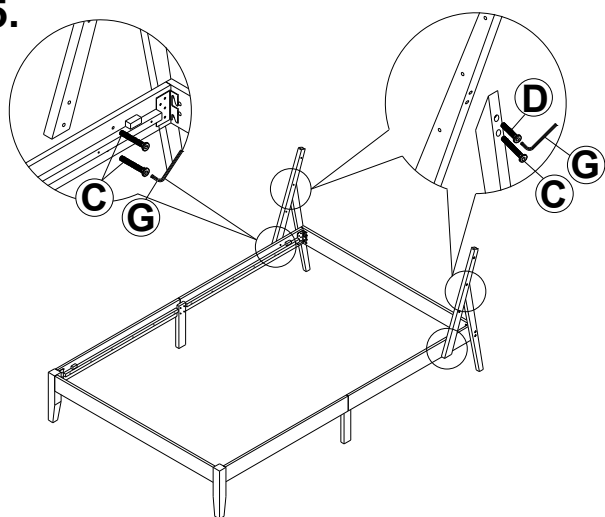
Attach the side rail (P6) to the footboard (P5) using hardware:  
E = 4pcs  
H = 1pc

Attach the headboard bottom rail (P4) to the headboard lower post (P2). You will need to use hardware:  
F = 4pcs  
G = 1pc  
K = 4pcs

Attach the side rail hole (P7) to the headboard bottom rail (P4) using hardware:  
E = 4pcs  
H = 1pc



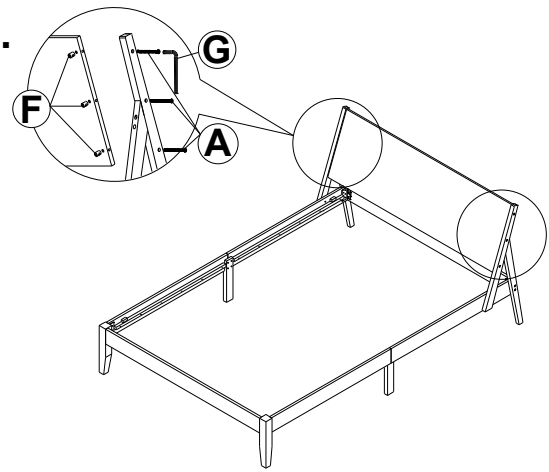
5.



Attach the headboard lower post (P2) to the headboard upper post (P1) using hardware:  
 C = 2pcs  
 D = 2pcs  
 G = 1pc

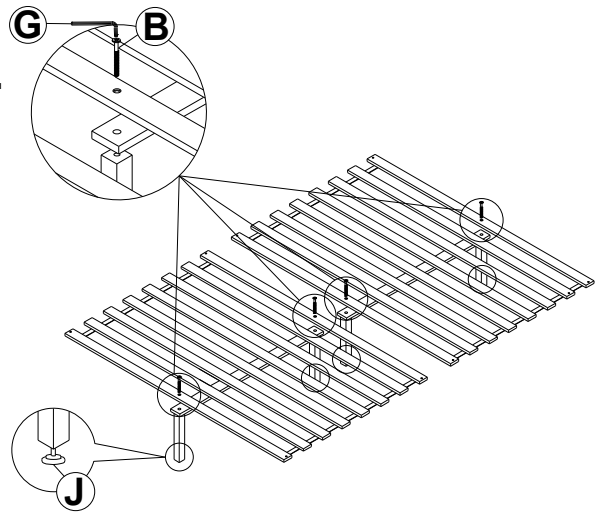
And then, attach the headboard upper post (P1) to the side rail hole (P7) using hardware:  
 C = 4pcs  
 G = 1pc

6.



Attach the headboard panel (P3) to the headboard upper post (P1) using hardware:  
 A = 6pcs  
 F = 6pcs  
 G = 1pc

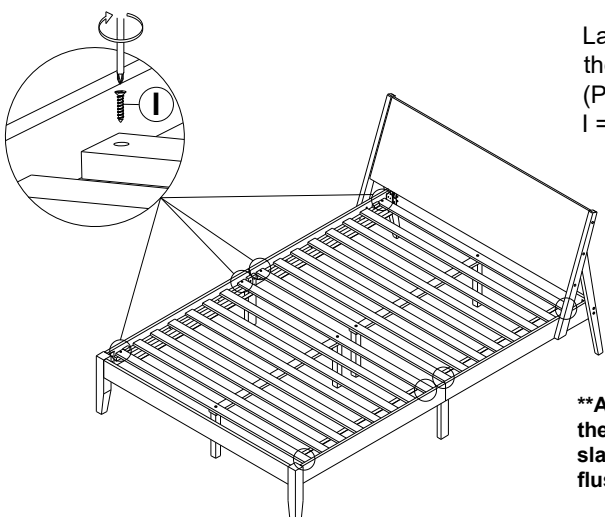
7.



Fix the adjuster (J) to the support leg (P11) using hardware:  
 J = 4pcs

Attach the support leg (P11) to the center rail (P9) and bed slats (P10) using hardware:  
 B = 4pcs  
 G = 1pc

8.



Lay the bed slats (P10) between the side rail (P6) and side rail hole (P7) using hardware:  
 I = 8pcs

**\*\*Apply pressure with your knee to the side rail whilst attaching the slats to ensure that the slats are flush against the inside of side rail\*\***

**WARNING!!**

- Remove hardware from box and sort by size.
- Please check to see that hardware and parts are present prior start of assembly.
- Please follow attached instruction in the same sequence numbered to ensure fast and easy assembly.
- Do not use this bed if any part is broken, torn or missing.
- The assembly of this product requires two people.
- Do not use any power tools as this may damage the frame and will invalidate any claim.

**PART LIST**

P1		Headboard Upper Post =	L-1pc R-1pc
P2		Headboard Lower Post =	L-1pc R-1pc
P3		Headboard Panel =	1pc
P4		Headboard Bottom Rail =	1pc
P5		Footboard =	1pc
P6		Side Rail =	L-1pc R-1pc
P7		Side Rail (HOLE) =	L-1pc R-1pc
P8		Support Side Leg =	2pcs
P9		Center Rail =	2pcs
P10		Bed Slats =	16pcs
P11		Support Leg =	4pcs

**HARDWARE LIST**

A		M6 X 60MM JCBC =	6pcs
B		M6 X 50MM JCBC =	4pcs
C		M6 X 40MM JCBC =	6pcs
D		M6 X 30MM JCBC =	10pcs
E		M8 X 16MM JCBB =	8pcs
F		BARREL NUT =	10pcs
G		ALLEN KEY M4 =	1pc
H		ALLEN KEY M5 =	1pc
I		M4 X 25MM SCREW =	8pcs
J		ADJUSTER =	6pcs
K		M6 X 80MM JCBC =	4pcs

